



US00D956528S

(12) **United States Design Patent** (10) **Patent No.:** **US D956,528 S**
Atalla et al. (45) **Date of Patent:** **** Jul. 5, 2022**

(54) **ANGLED HINGE HANGER WITH ELONGATED VERTICAL TUBE**

(71) Applicant: **HINGE HANGER LLC**, Reno, NV (US)
 (72) Inventors: **Bill Martin Atalla**, Reno, NV (US);
Carolyn Marie Atalla, Washoe Valley, NV (US)

(**) Term: **15 Years**
 (21) Appl. No.: **29/712,136**
 (22) Filed: **Nov. 5, 2019**

Related U.S. Application Data

(63) Continuation of application No. 29/585,049, filed on Nov. 18, 2016, now abandoned.
 (51) **LOC (13) Cl.** **08-05**
 (52) **U.S. Cl.**
 USPC **D8/363**
 (58) **Field of Classification Search**
 USPC D8/354, 355, 323, 372, 367, 376, 349,
 D8/363, 370, 371, 382, 373, 44, 16, 19;
 D6/550, 323
 CPC E05D 15/00
 See application file for complete search history.

(56) **References Cited**

U.S. PATENT DOCUMENTS

D224,757 S * 9/1972 Bolen D12/215
 D330,537 S * 10/1992 Scott D12/168
 D468,193 S * 1/2003 Ohm D6/513
 6,729,358 B1 * 5/2004 Moffatt B21F 1/002
 140/104
 D757,528 S * 5/2016 Wyss D8/373
 D817,744 S * 5/2018 Atalla D8/367

* cited by examiner

Primary Examiner — Eliza Z Harvey
 (74) *Attorney, Agent, or Firm* — Kerr IP Group, LLC

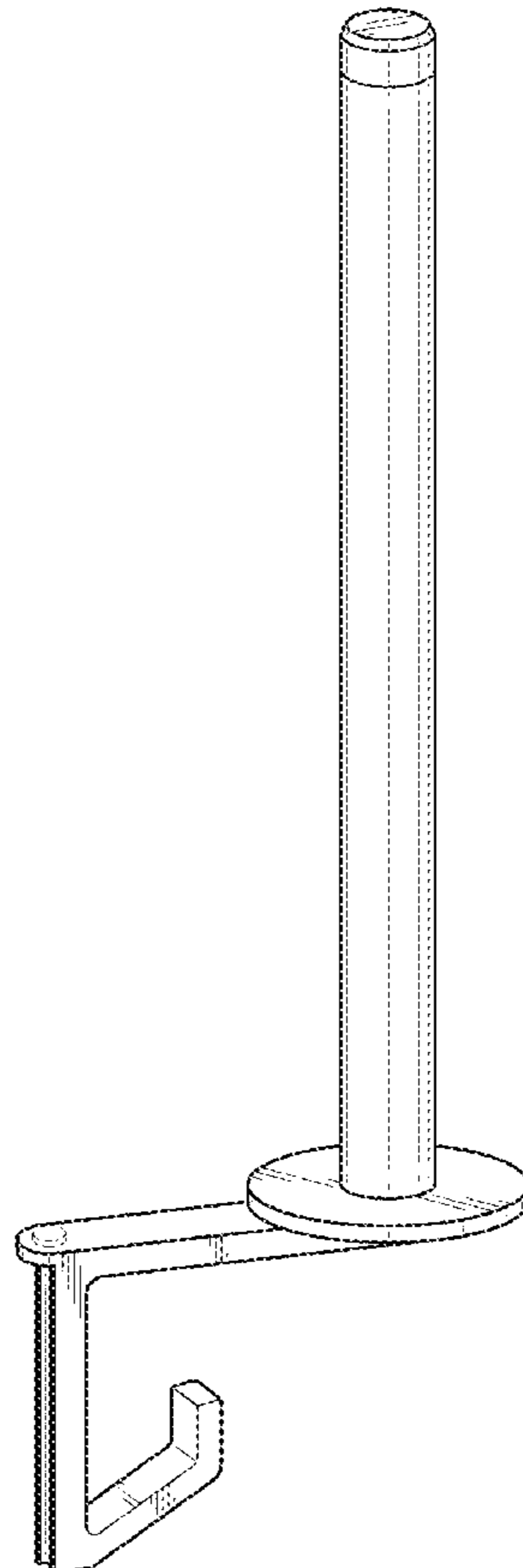
(57) **CLAIM**

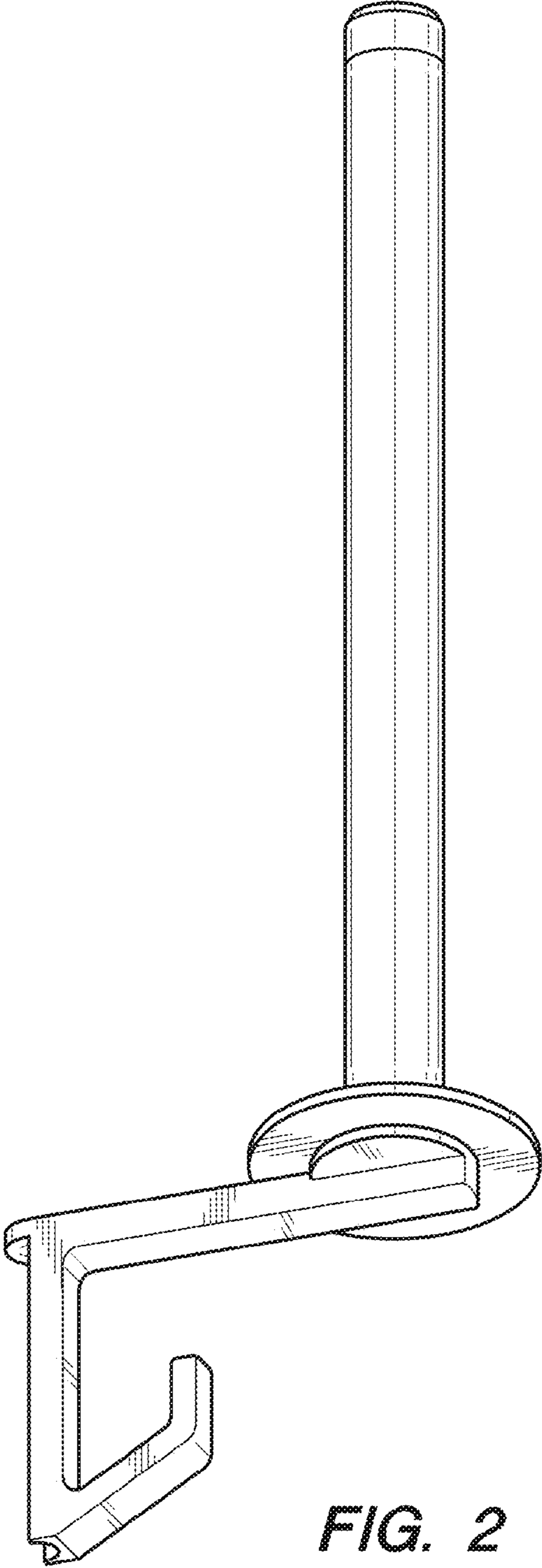
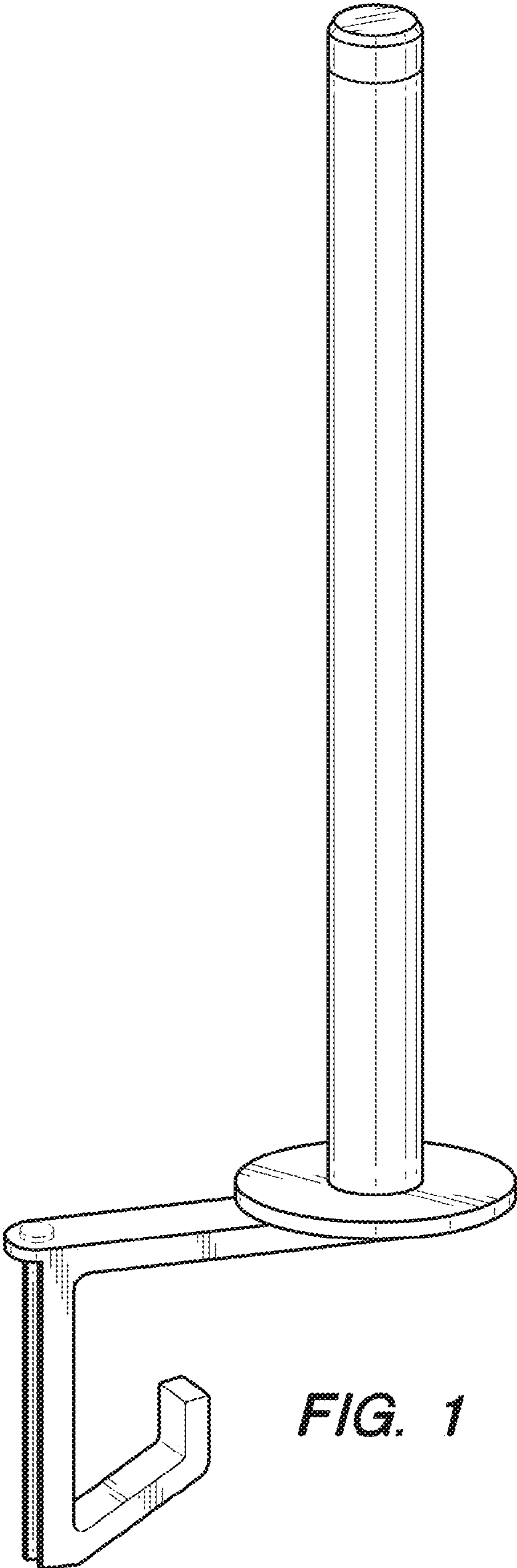
The ornamental design for an angled hinge hanger with an elongated vertical tube, as shown and described.

DESCRIPTION

FIG. 1 is an isometric top view of an angled hinge hanger with an elongated vertical tube, showing my new design; FIG. 2 is an isometric bottom view thereof; FIG. 3 is a front elevation view thereof; FIG. 4 is a left elevation view (at 90° from the front view) thereof; FIG. 5 is a back elevation view thereof; FIG. 6 is a bottom view thereof; and, FIG. 7 is a top view thereof.

1 Claim, 3 Drawing Sheets





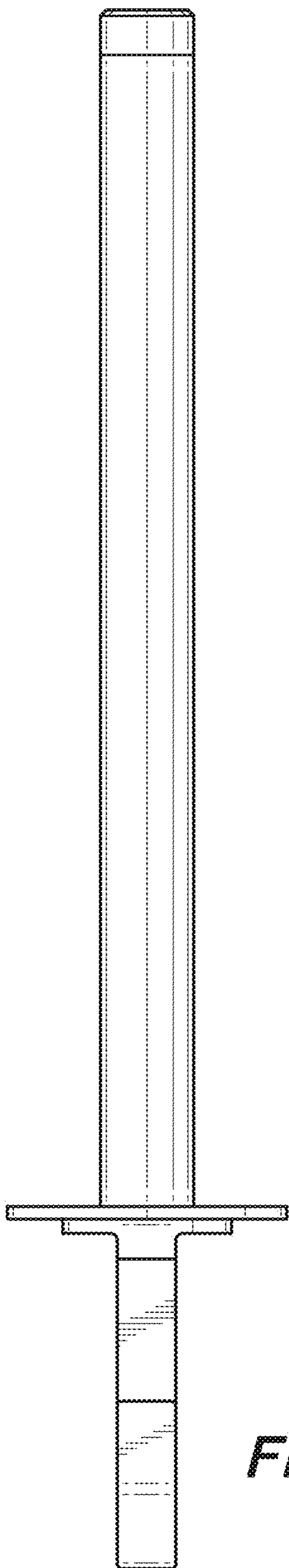


FIG. 3

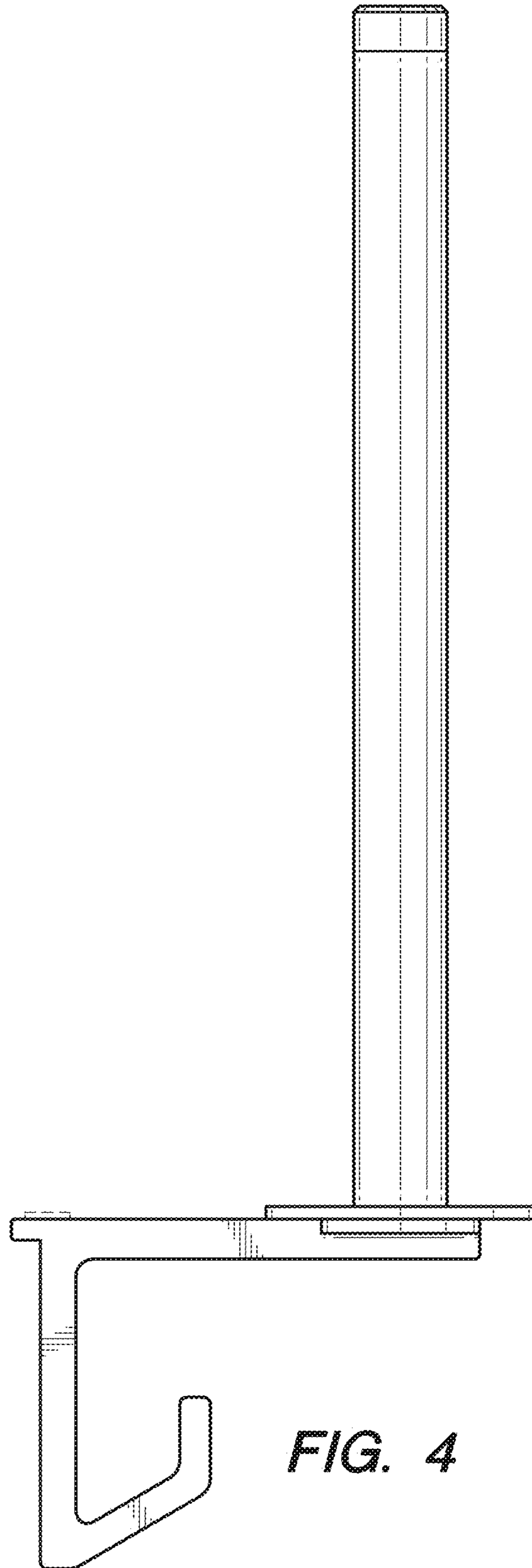


FIG. 4

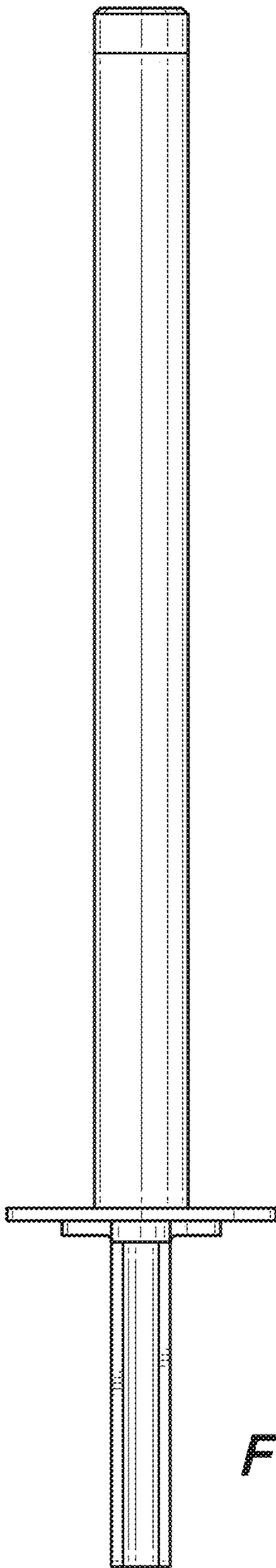


FIG. 5

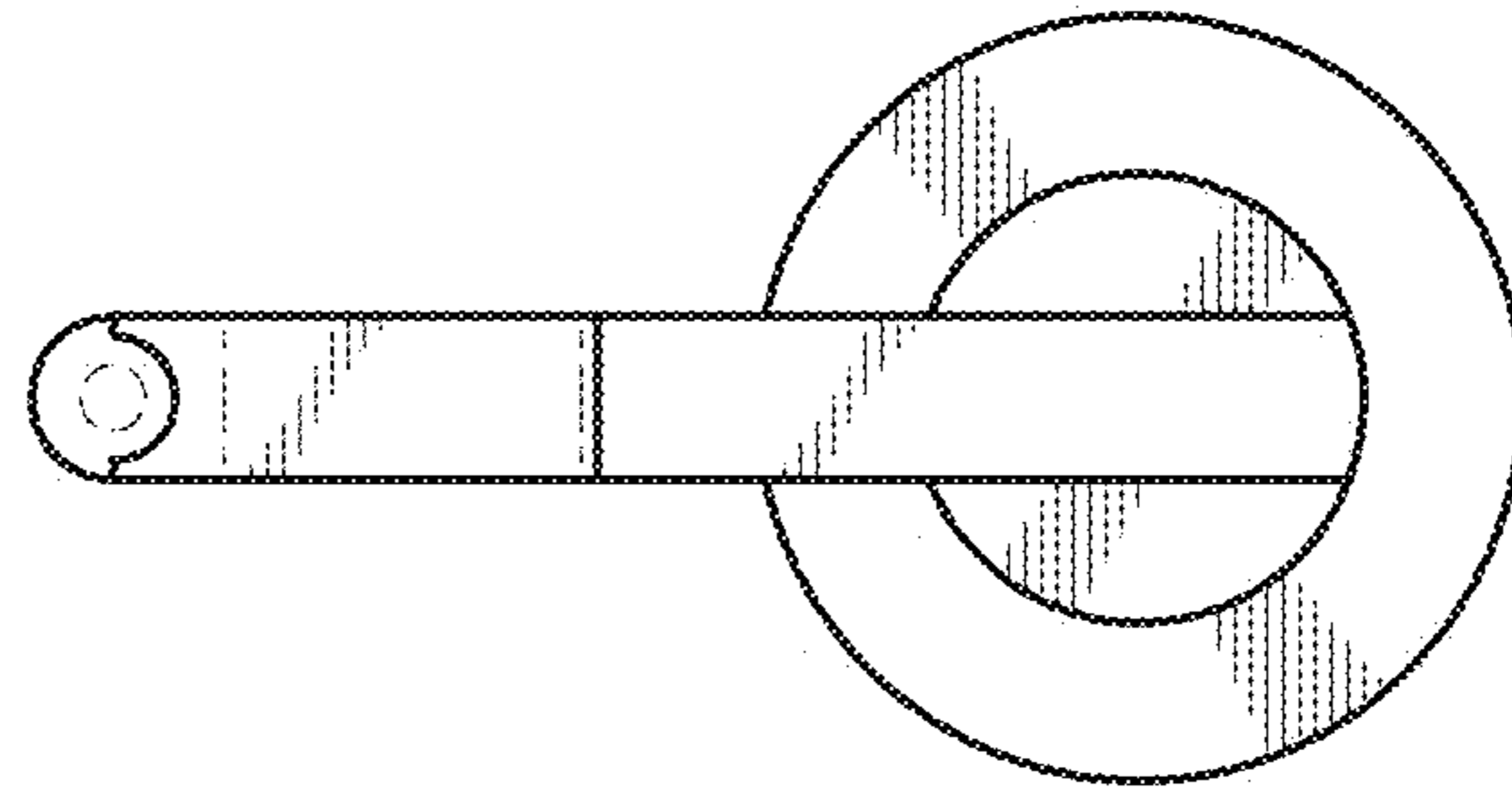


FIG. 6

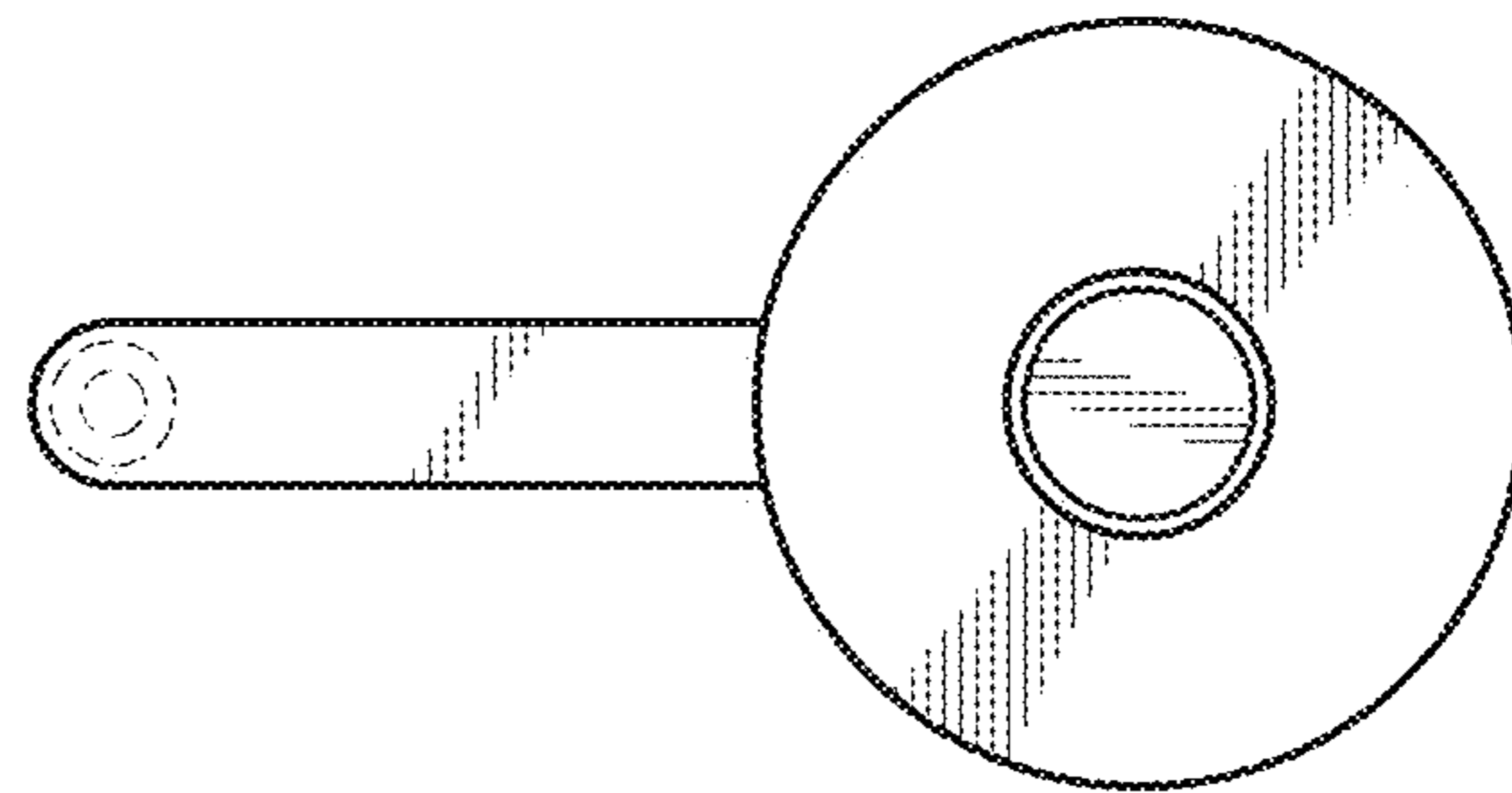


FIG. 7