



US00D956527S

(12) **United States Design Patent** (10) **Patent No.:** **US D956,527 S**
Bailey (45) **Date of Patent:** **** Jul. 5, 2022**

(54) **CABLE MANAGEMENT DEVICE**
(71) Applicant: **Logan Bailey**, Provo, UT (US)
(72) Inventor: **Logan Bailey**, Provo, UT (US)
(**) Term: **15 Years**
(21) Appl. No.: **29/712,120**
(22) Filed: **Nov. 5, 2019**
(51) **LOC (13) Cl.** **08-05**
(52) **U.S. Cl.**
USPC **D8/359**
(58) **Field of Classification Search**
USPC D8/316, 358, 359, 363, 366, 370, 371,
D8/372, 373, 382, 374, 375, 376, 377;
D7/600.4
CPC A47G 7/047; A47G 7/045; A47G 7/042;
A47G 7/044; A01G 9/024; A01G 25/14;
A01G 27/001; A01G 9/042; A01G
27/005; A01G 31/001; A01G 9/02; A01G
9/083; A01G 9/12; B60G 2400/05146;
B62B 1/10; B62B 1/264; B62B 1/14;
B25G 1/08; B25G 1/10; B65H 75/40;
B65H 75/4407; B65H 75/4471; B65H
2701/34; B65H 2701/32; B65H 2511/142;
B65H 29/008; B65H 75/22; B65D 85/66;
B65D 85/67; E06B 11/00; E06B 11/021;
E06B 11/022; E06B 11/023; E04F
11/1804; E04F 11/1808; E04F 11/1812;
G12B 3/00; G12B 3/06; F02D 9/04;
F02D 9/101; F02D 9/10; A47F 7/14;
A47F 7/16; A47F 7/143; A47F 5/08;
A47F 5/0807; A47F 5/0815; A47F
5/0838; A47F 5/0846; A47F 5/0853;
A47F 5/105

See application file for complete search history.

(56) **References Cited**
U.S. PATENT DOCUMENTS

D215,646 S * 10/1969 Anderson D8/358
D226,898 S * 5/1973 Tamarin D13/137.4

D265,972 S * 8/1982 Black D24/145
D458,113 S * 6/2002 Yang D8/358
D569,233 S * 5/2008 Kishimoto D8/358
D569,711 S * 5/2008 Young, IV D13/154
D705,643 S * 5/2014 Siboni D8/358
D730,952 S * 6/2015 Siboni D15/72
D740,107 S * 10/2015 Armani D8/358
D774,383 S * 12/2016 Kennedy D8/358
D778,712 S * 2/2017 Kennedy D8/358
D862,206 S * 10/2019 Britt D8/356
D871,894 S * 1/2020 Brett D8/356

* cited by examiner

Primary Examiner — Joseph Kukella
(74) *Attorney, Agent, or Firm* — Superior IP, PLLC;
Dustin Call

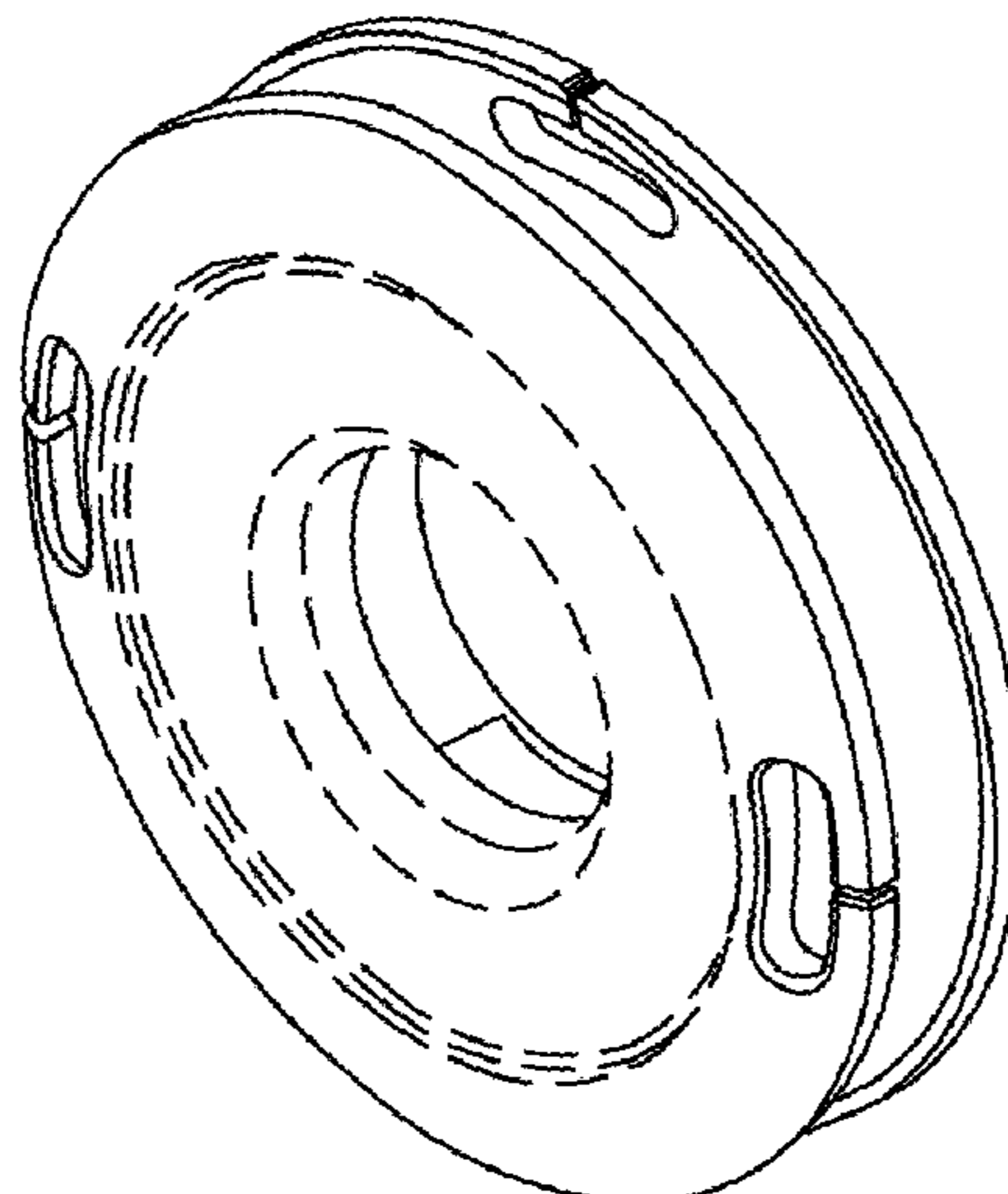
(57) **CLAIM**

The ornamental design for a cable management device, as shown and described.

DESCRIPTION

FIG. 1 illustrates a front view of the cable management device;
FIG. 2 illustrates a rear view of the cable management device;
FIG. 3 illustrates a top view of the cable management device;
FIG. 4 illustrates a bottom view of the cable management device;
FIG. 5 illustrates a right-side view of the cable management device, with the left side view a mirror image thereof;
FIG. 6 illustrates a top front perspective view of the cable management device;
FIG. 7 illustrates a bottom rear perspective view of the cable management device; and,
FIG. 8 illustrates a top right rear perspective view of the cable management device.
The broken lines form no part of the claimed design.

1 Claim, 4 Drawing Sheets



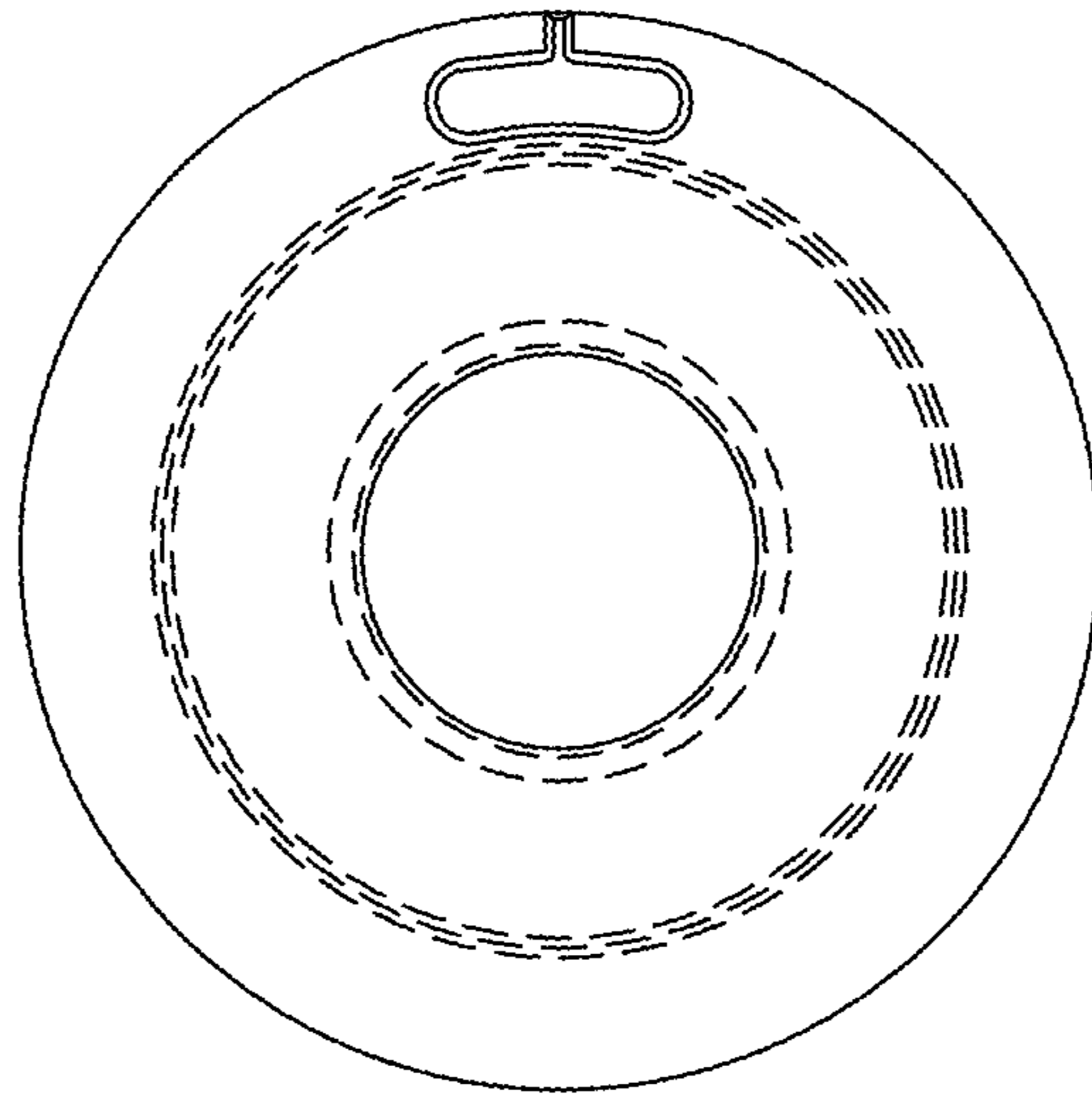


FIG. 1

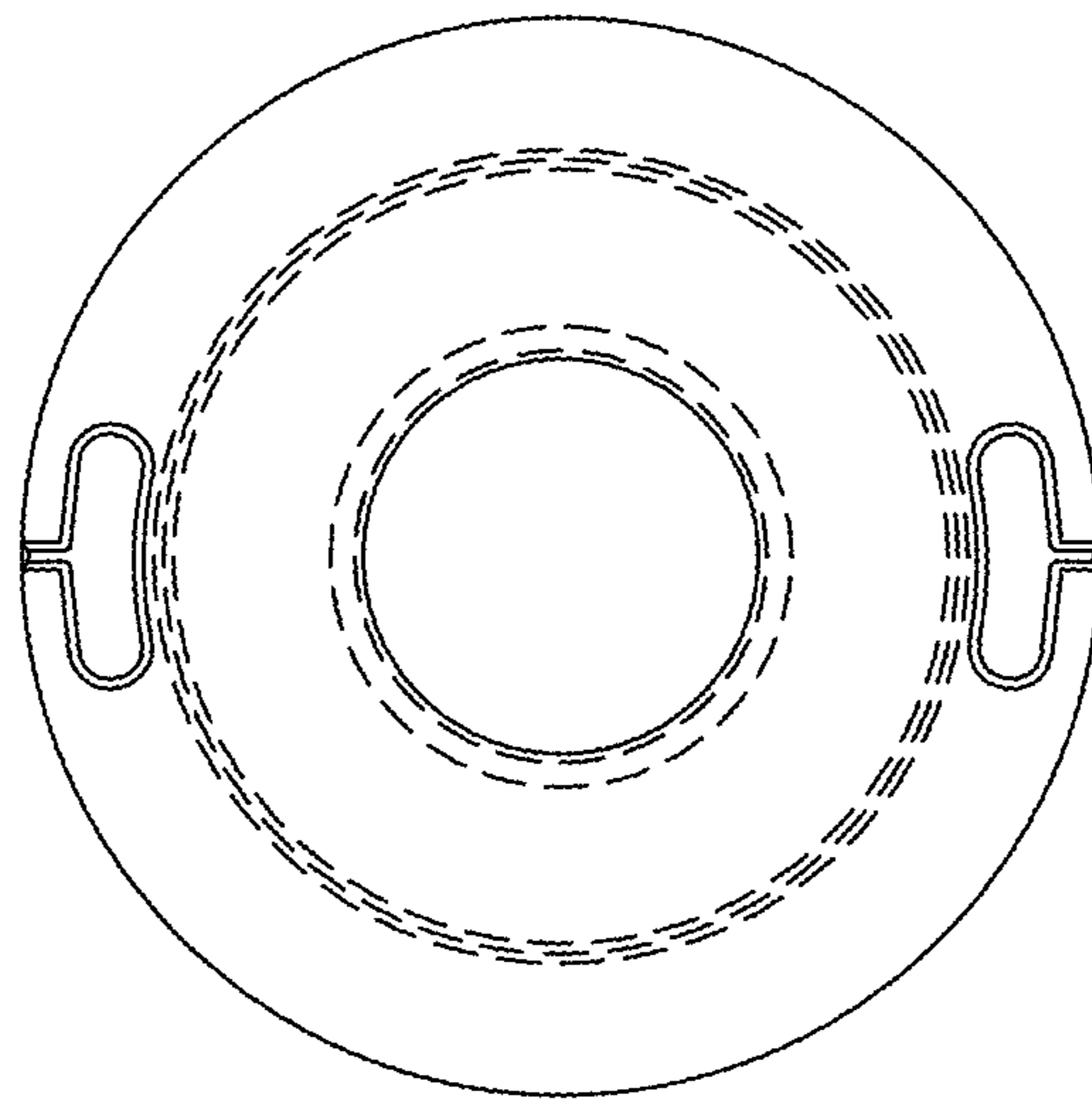


FIG. 2

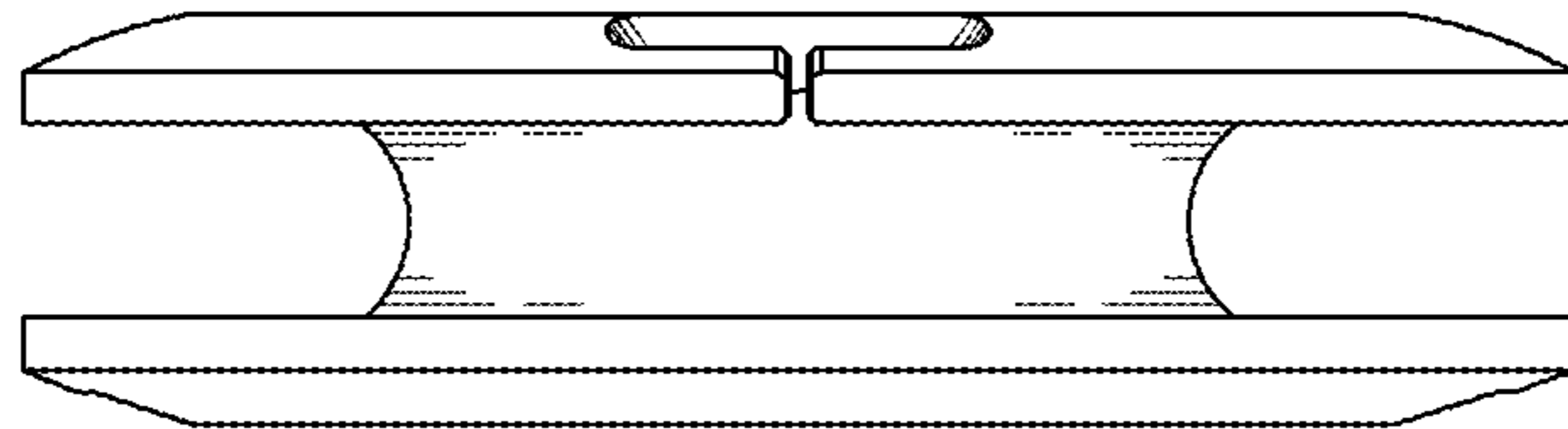


FIG. 3

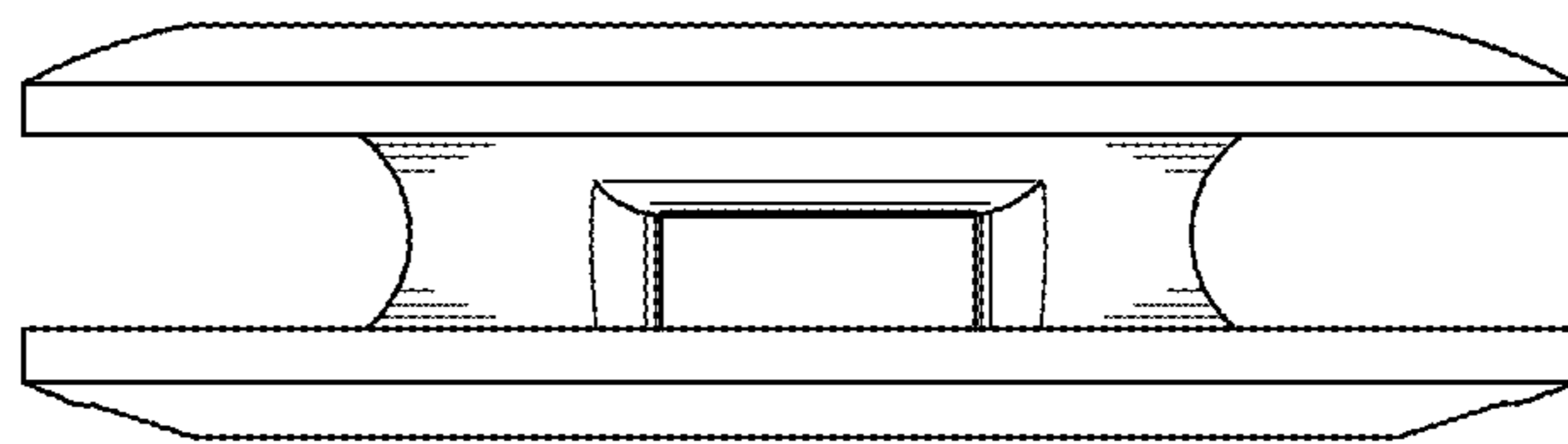


FIG. 4

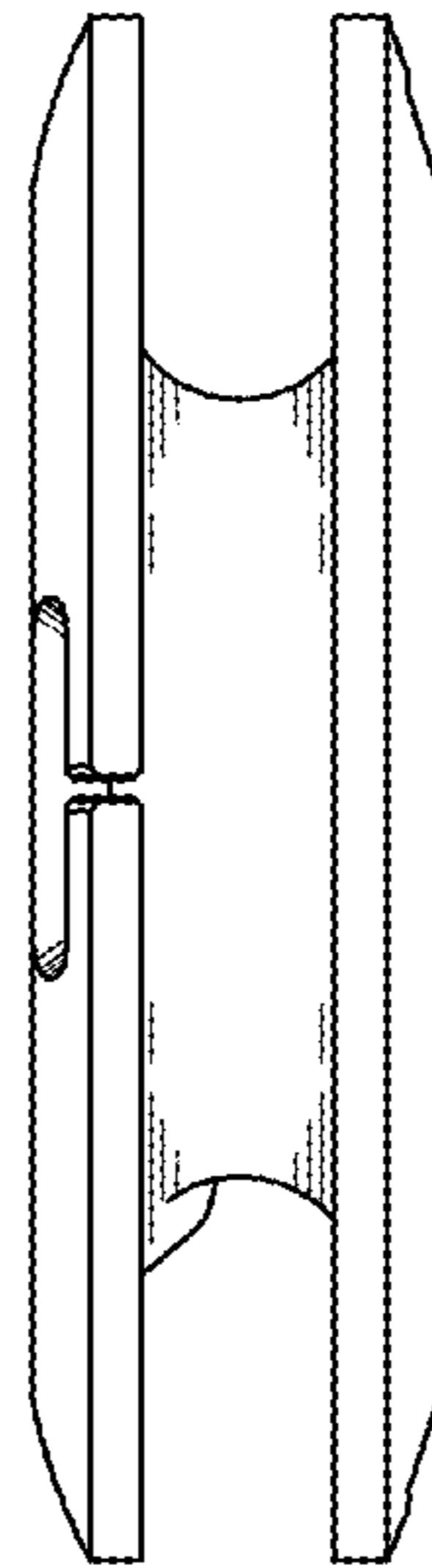


FIG. 5

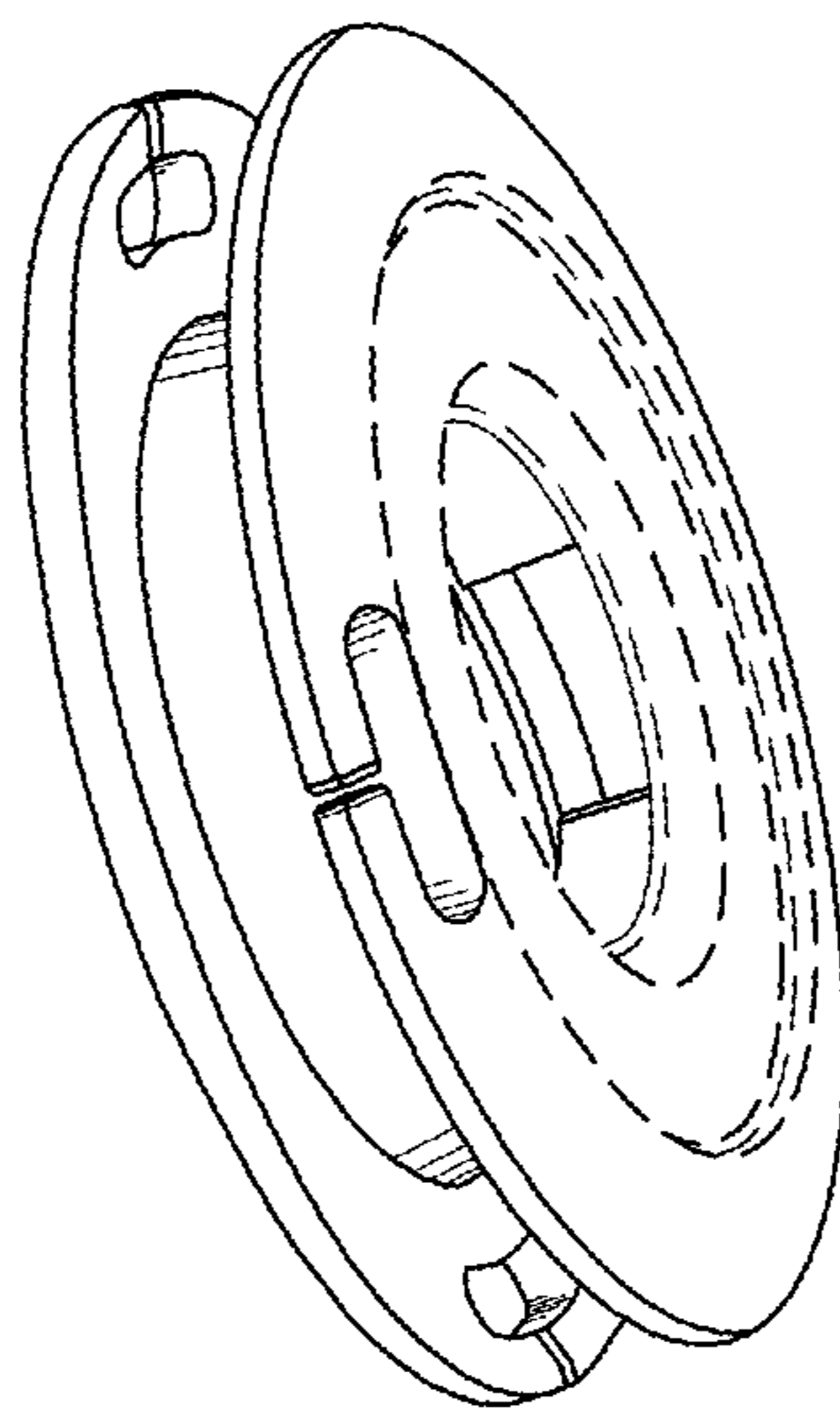


FIG. 6

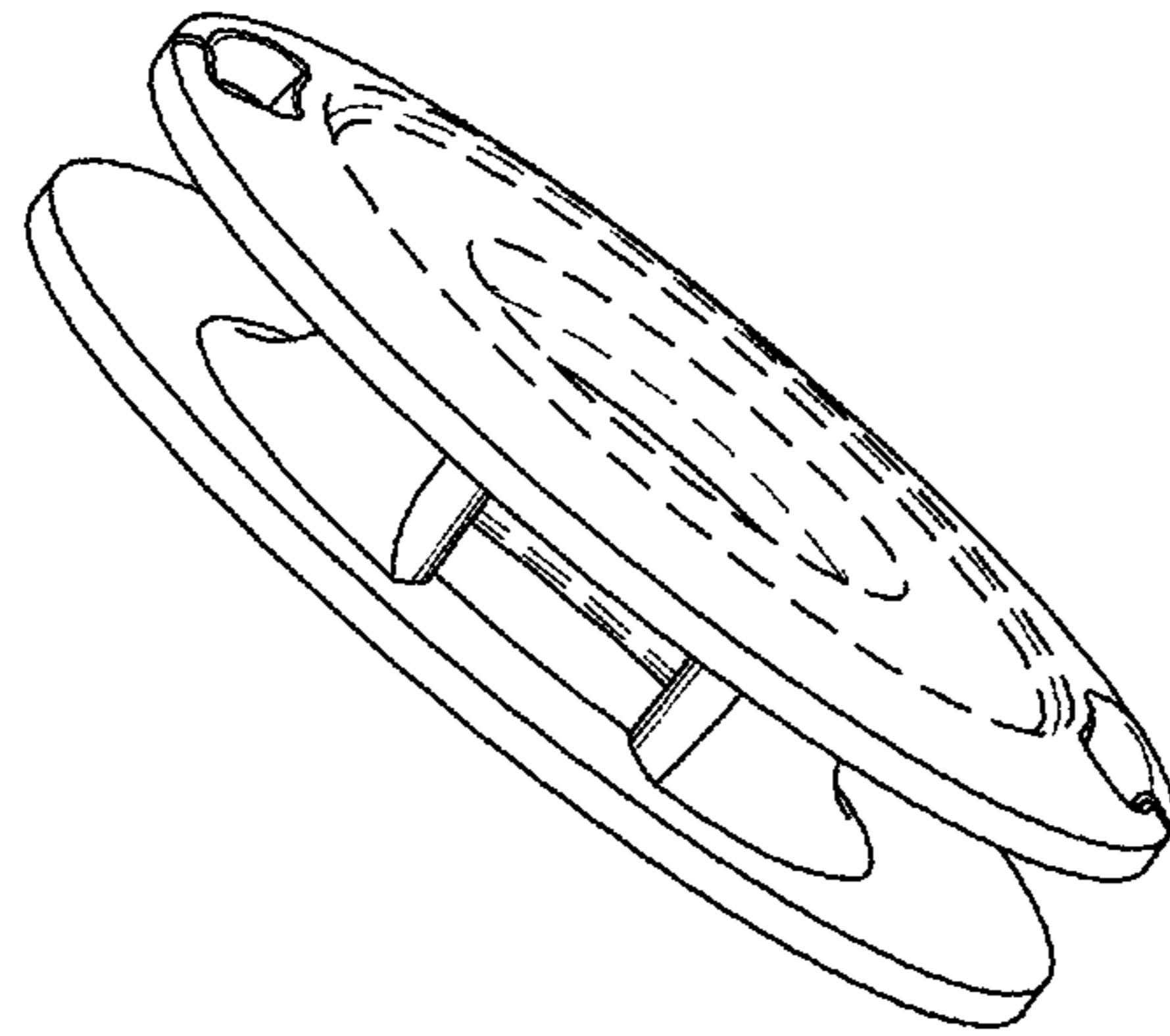


FIG. 7

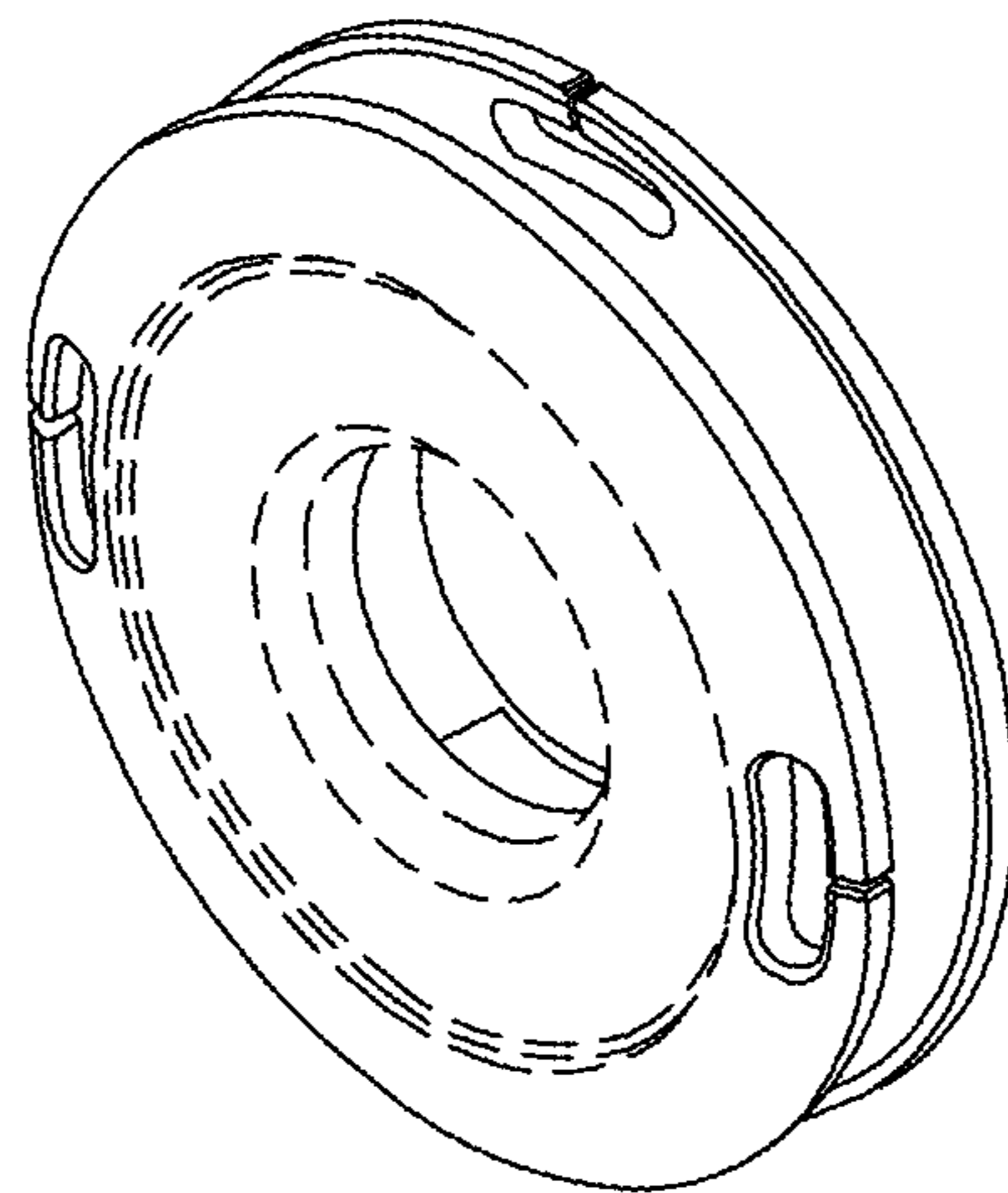


FIG. 8