



US00D956526S

(12) **United States Design Patent** (10) **Patent No.:** **US D956,526 S**
Ruddick et al. (45) **Date of Patent:** **** Jul. 5, 2022**

(54) **CABLE HOLDER**

(71) Applicant: **D-Line (Europe) Limited**, North Shields (GB)

(72) Inventors: **Paul David Ruddick**, North Shields (GB); **Stephen Bianchi**, North Shields (GB)

(73) Assignee: **D-LINE (EUROPE) LIMITED**, North Shields (GB)

(**) Term: **15 Years**

(21) Appl. No.: **29/714,225**

(22) Filed: **Nov. 21, 2019**

(30) **Foreign Application Priority Data**

May 21, 2019 (EM) 006492716-0005
Nov. 15, 2019 (EM) 007242227

(51) **LOC (13) Cl.** **09-06**

(52) **U.S. Cl.**
USPC **D8/356**

(58) **Field of Classification Search**
USPC D8/356, 354; D13/155
CPC B65H 57/16; B63B 21/045
See application file for complete search history.

(56) **References Cited**

U.S. PATENT DOCUMENTS

D29,156 S * 8/1898 Caldwell D12/223
D275,036 S * 8/1984 Lloyd-Jones D25/119
D275,324 S * 8/1984 Wahlin D25/124
D295,521 S * 5/1988 Mockett D13/155
D322,389 S * 12/1991 Harmon D8/380
5,154,648 A * 10/1992 Buckshaw F22B 37/107
122/DIG. 13
D331,916 S * 12/1992 DuBrucq D13/155
5,884,695 A * 3/1999 Brownlee F28F 19/00
165/134.1

D430,005 S * 8/2000 Stearns D8/380
D436,399 S * 1/2001 Poland D23/322
D450,564 S * 11/2001 Kane D8/356
D539,752 S * 4/2007 Ruddick D13/155
D631,445 S * 1/2011 Dittmer D13/155
D637,477 S * 5/2011 Wall D8/382
D696,205 S * 12/2013 Woodlief D13/155

(Continued)

Primary Examiner — Cynthia R Underwood

(74) *Attorney, Agent, or Firm* — Alleman Hall Creasman & Tuttle LLP

(57) **CLAIM**

The ornamental design for a cable holder, as shown and described.

DESCRIPTION

FIG. 1 is an isometric view of an ornamental design for a cable holder.

FIG. 2 is another isometric view of the cable holder of FIG. 1.

FIG. 3 is a right side view of the cable holder of FIG. 1.

FIG. 4 is a left side view of the cable holder of FIG. 1.

FIG. 5 is a front view of the cable holder of FIG. 1.

FIG. 6 is a back view of the cable holder of FIG. 1.

FIG. 7 is a top view of the cable holder of FIG. 1; and,

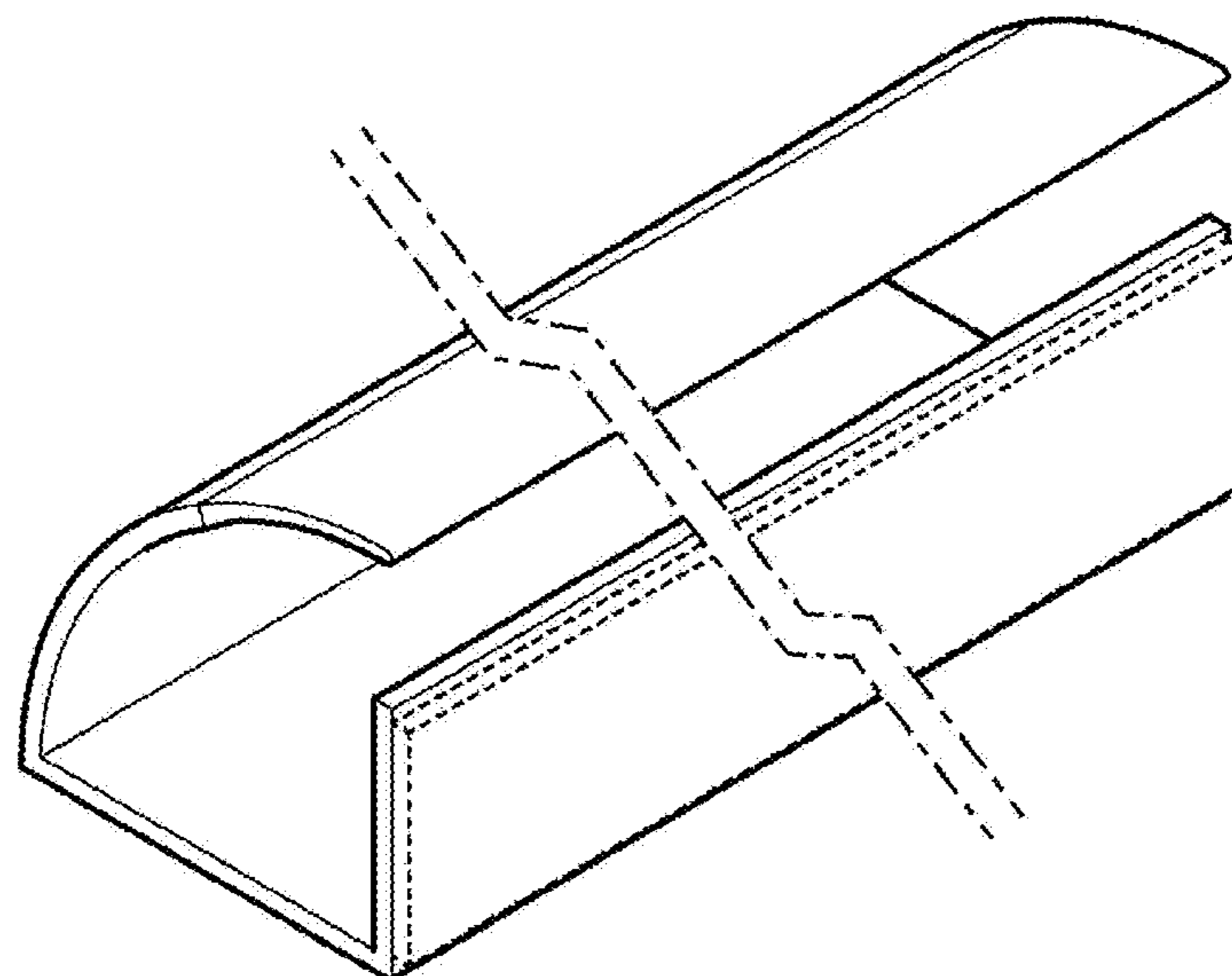
FIG. 8 is a bottom view of the cable holder of FIG. 1.

FIGS. 1-8 depict an ornamental design for a cable holder. The cable holder may be used to secure, organize and hide cables, for example by retaining and concealing them adjacent to a wall or other structure.

The article is shown with a symbolic break in its length. The appearance of any portion of the article beyond the break lines forms no part of the claimed design. The break lines form no part of the claim.

The dashed lines in FIGS. 1-4 and 6-8 depict a feature associated with use of the cable holder in an operational environment. The dashed lines form no part of the claimed design.

1 Claim, 8 Drawing Sheets



(56)

References Cited

U.S. PATENT DOCUMENTS

D713,947	S *	9/2014	Jensen	D23/366
D720,702	S *	1/2015	Baldwin	D13/155
D805,822	S *	12/2017	Baldoni	D6/707.24
9,869,368	B2 *	1/2018	Disantis	F16G 11/146
D835,497	S *	12/2018	Rindy	D8/356
D856,119	S *	8/2019	McGugan	D8/356
D890,085	S *	7/2020	Baird	D13/102
D892,214	S *	8/2020	Jordan	D19/81
10,844,978	B2 *	11/2020	Meyer	F16L 3/24
D903,479	S *	12/2020	Schick	D8/397
D903,480	S *	12/2020	Schick	D8/397
D916,138	S *	4/2021	Canik	D15/5
D916,322	S *	4/2021	Miller	D25/61
10,994,671	B2 *	5/2021	Astrike	H02G 3/0406
D925,339	S *	7/2021	Leonard	D8/356
D926,022	S *	7/2021	Luhrmann	D8/356
D927,292	S *	8/2021	Zussman	D8/381
2008/0054143	A1 *	3/2008	Collins	F16L 3/26
					248/227.2

* cited by examiner

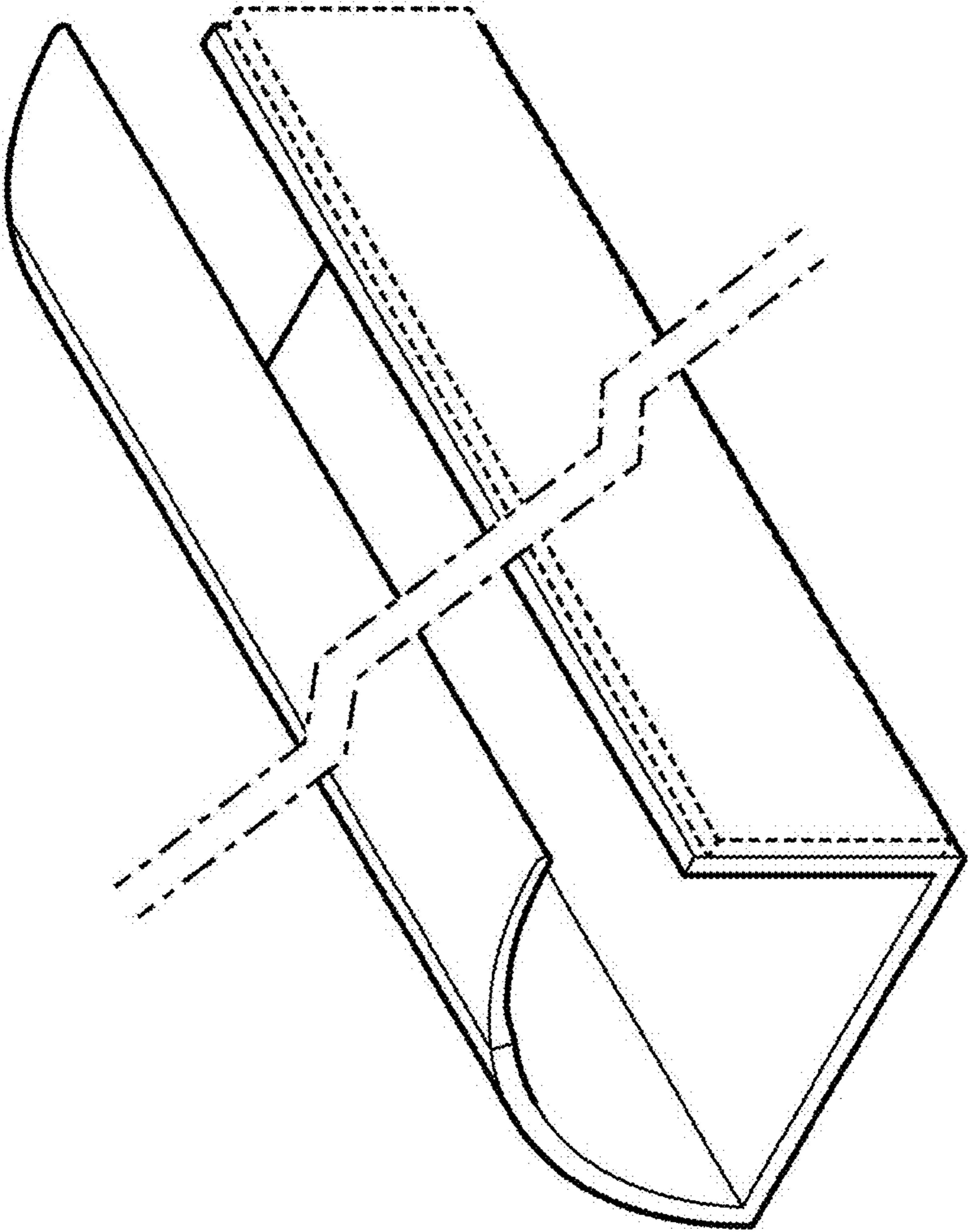


FIG. 1

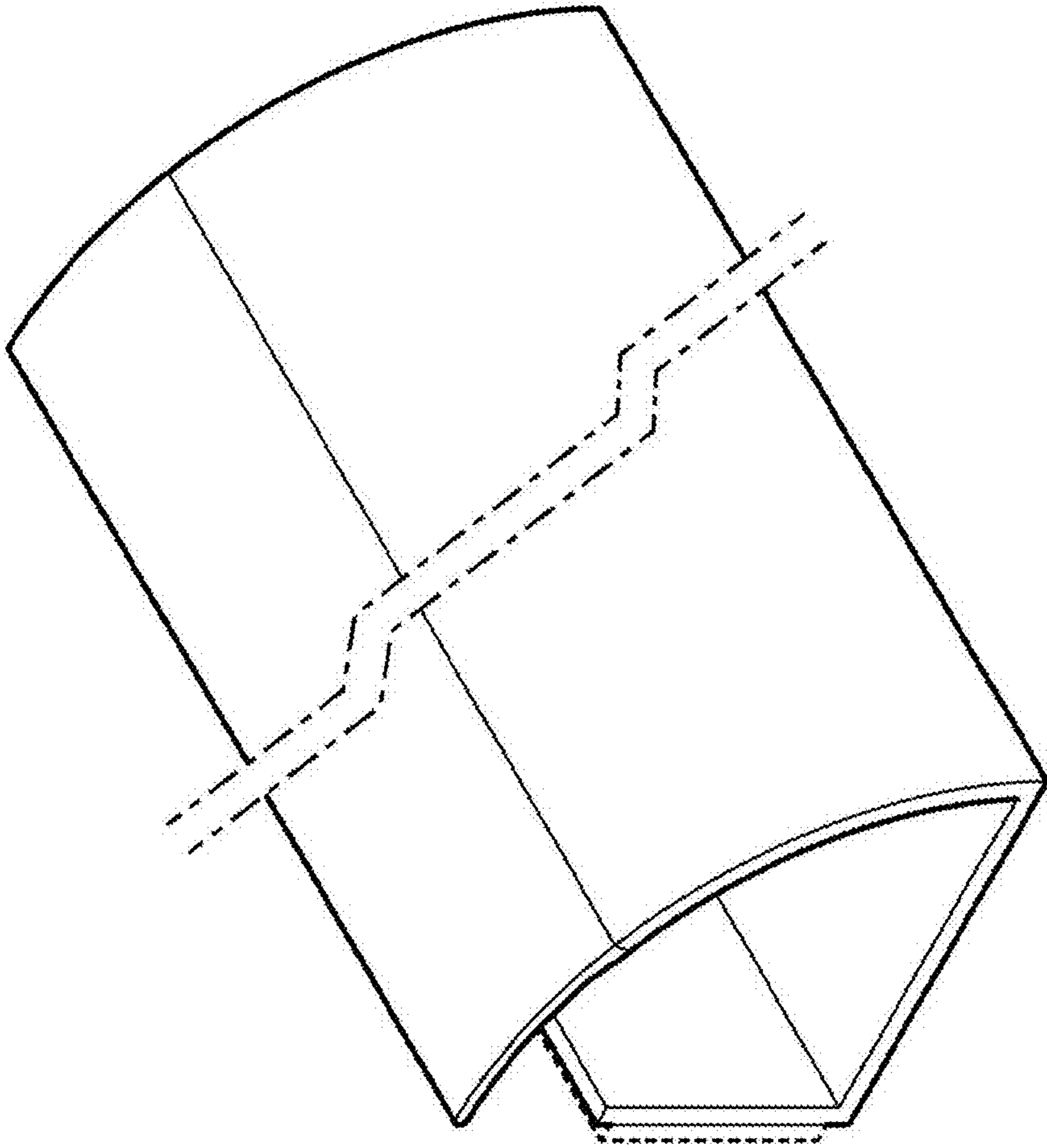


FIG. 2

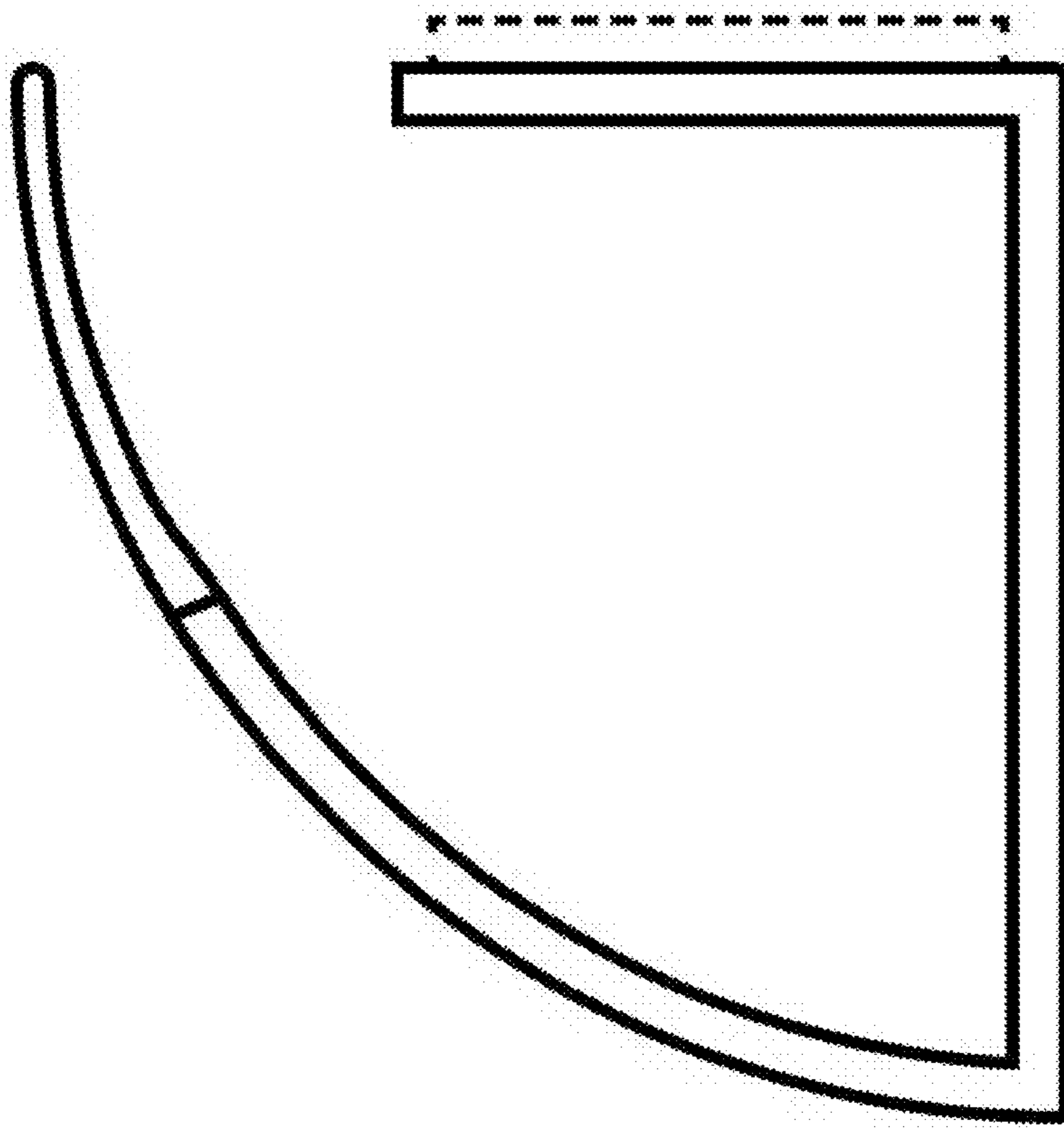


FIG. 3

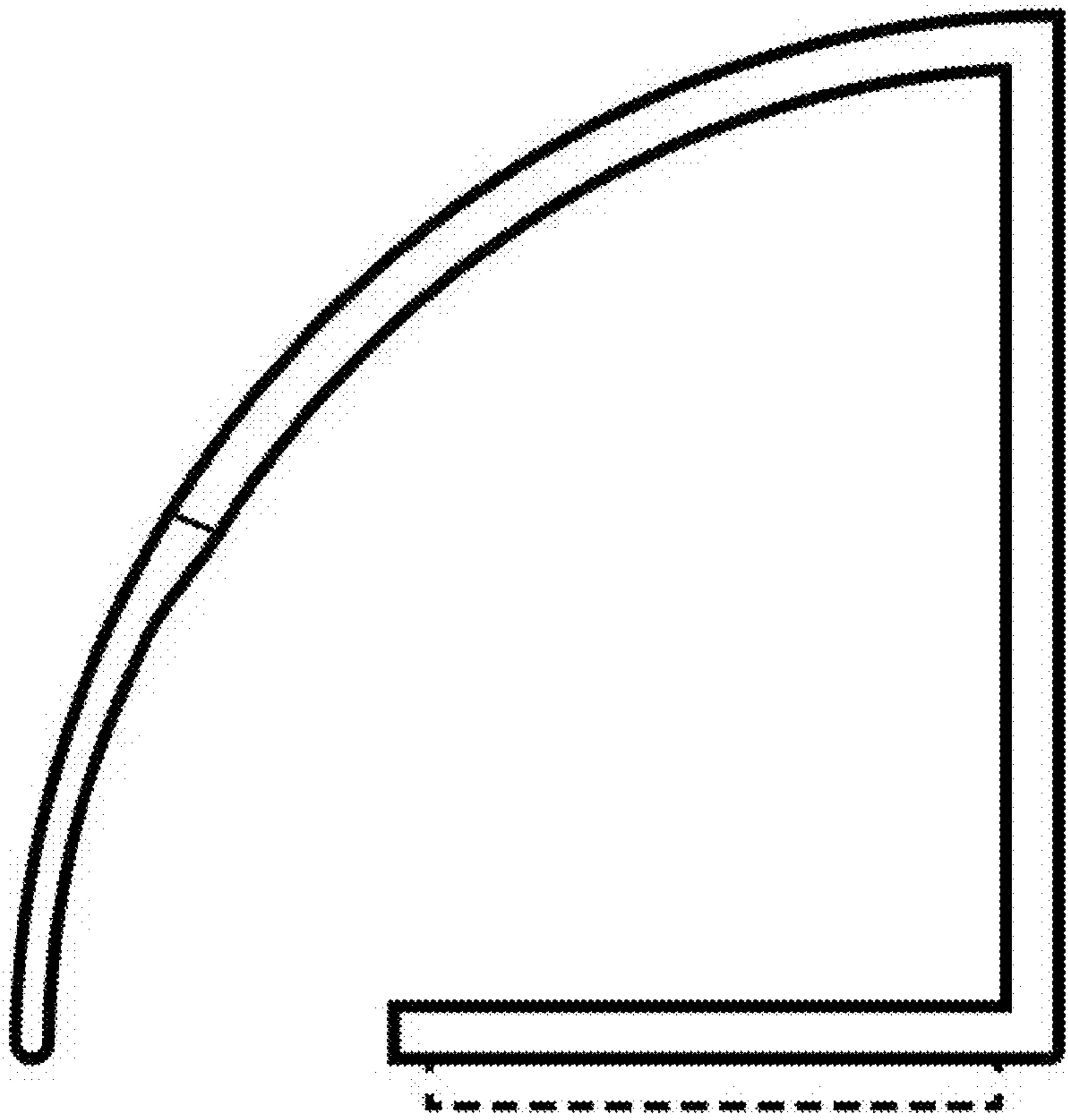


FIG. 4

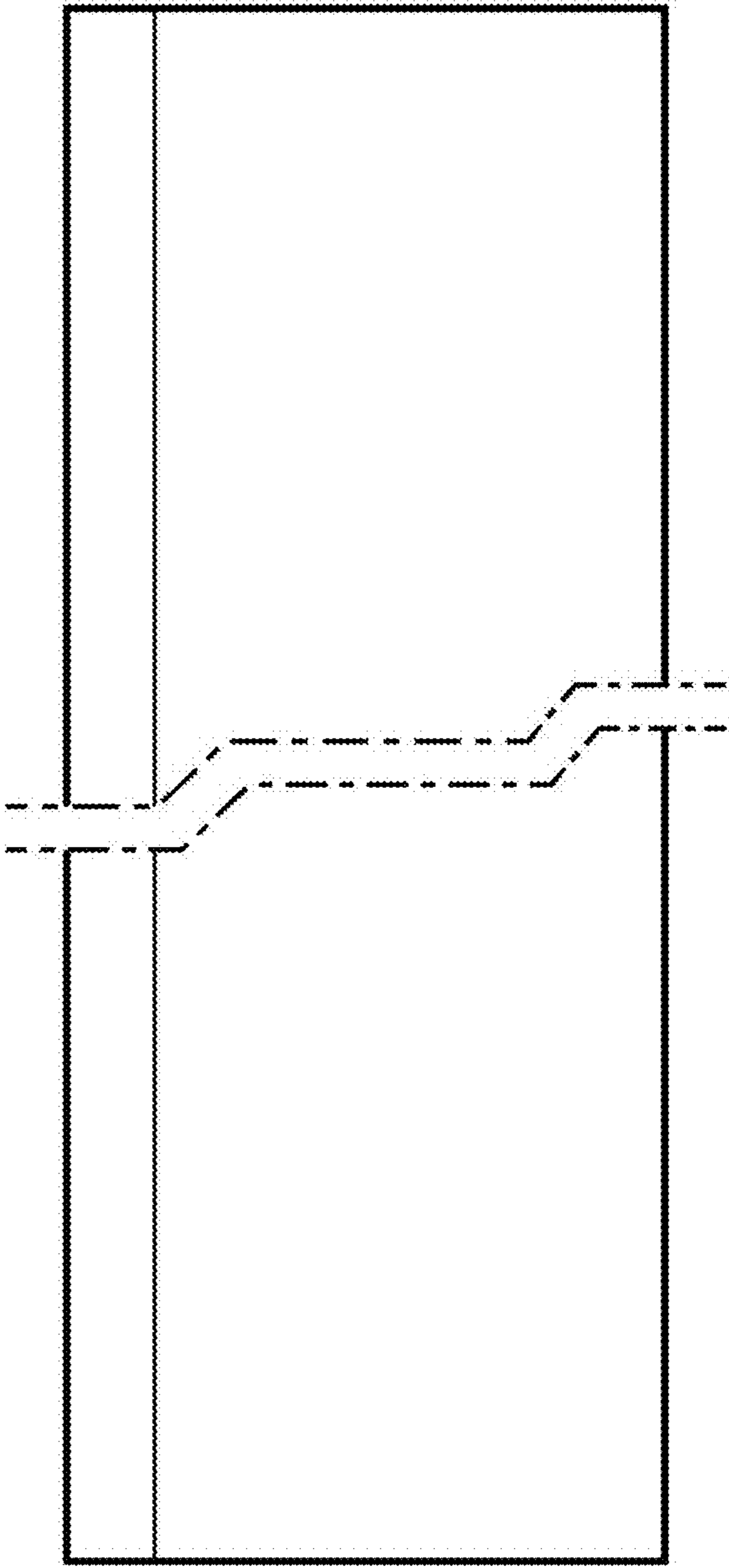


FIG. 5

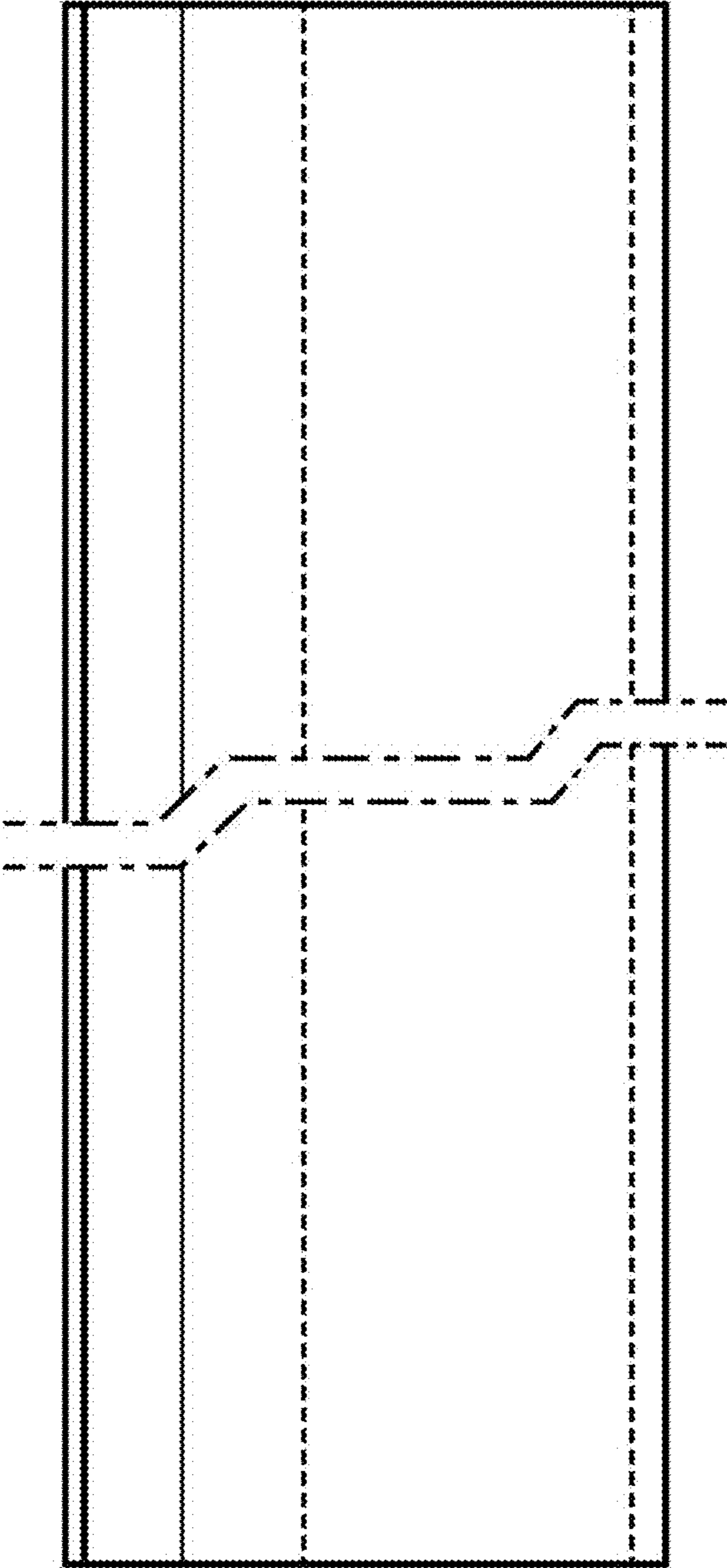


FIG. 6

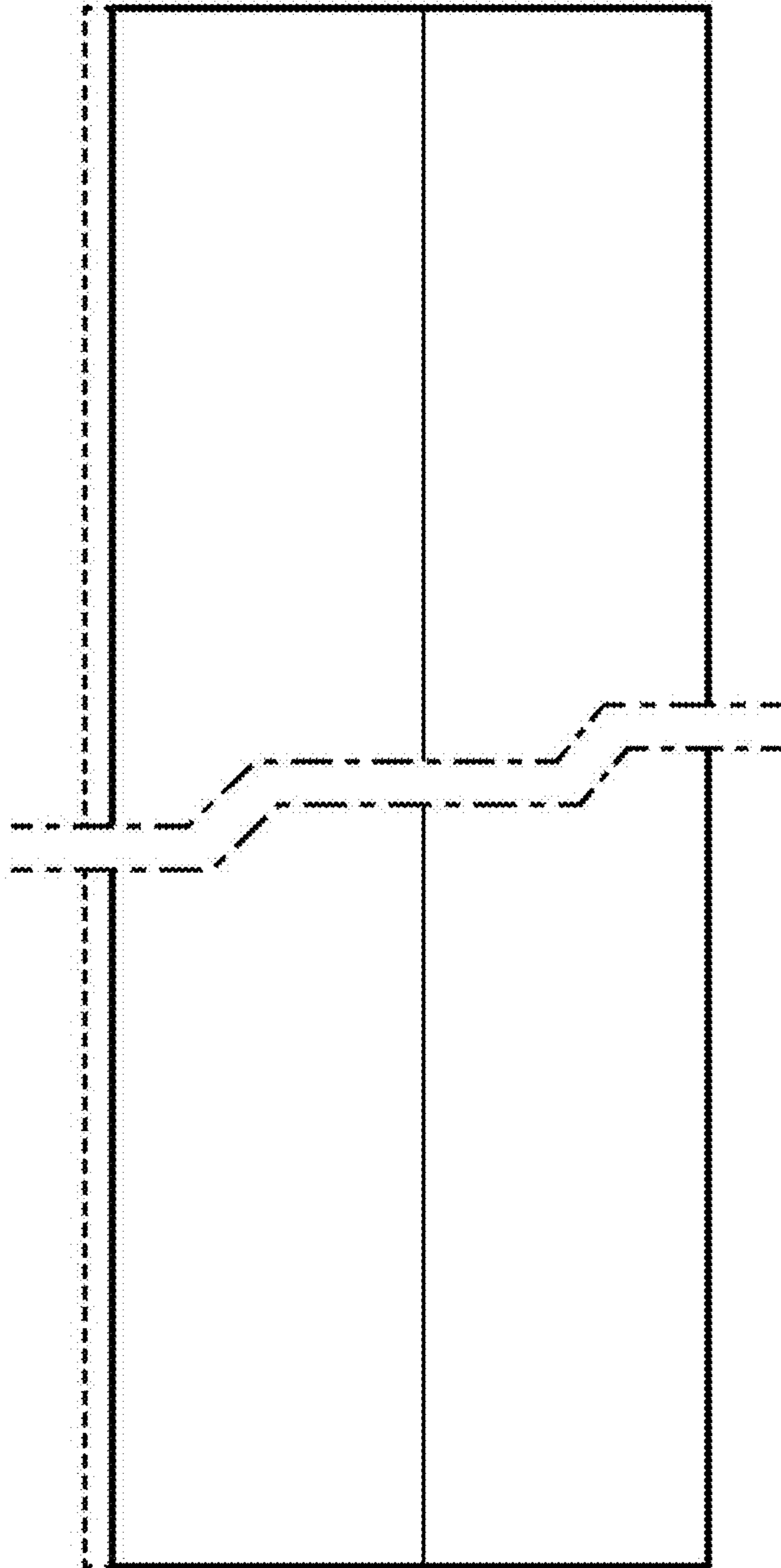


FIG. 7

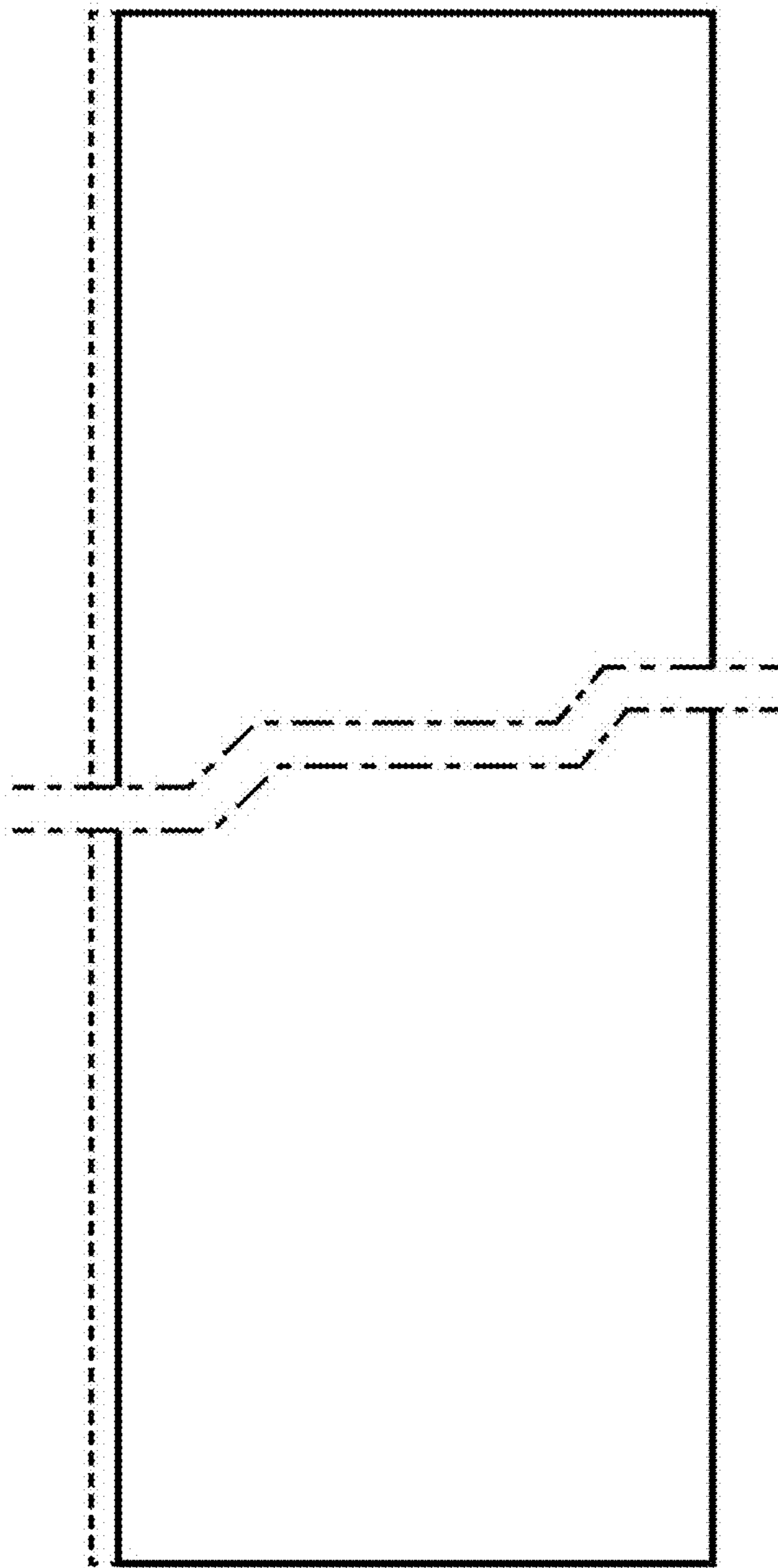


FIG. 8