



US00D956525S

(12) **United States Design Patent**
Yanase

(10) **Patent No.:** **US D956,525 S**

(45) **Date of Patent:** **** Jul. 5, 2022**

- (54) **BOARD SPACER**
- (71) Applicant: **Kitagawa Industries Co., Ltd.**,
Inazawa (JP)
- (72) Inventor: **Yoshiaki Yanase**, Kasugai (JP)
- (**) Term: **15 Years**
- (21) Appl. No.: **35/510,518**
- (22) Filed: **Apr. 9, 2020**
- (80) **Hague Agreement Data**
Int. Filing Date: **Apr. 9, 2020**
Int. Reg. No.: **DM/208411**
Int. Reg. Date: **Apr. 9, 2020**
Int. Reg. Pub. Date: **Oct. 9, 2020**

- 4,604,776 A * 8/1986 Takahashi H05K 7/142
24/297
- D292,872 S * 11/1987 Takahashi D8/354
- D298,605 S * 11/1988 Colgan D8/382
- D324,168 S * 2/1992 Fujioka H05K 7/142
D8/385
- D419,860 S * 2/2000 Persson D8/382
- D424,918 S * 5/2000 Sato D8/382
- D424,919 S * 5/2000 Sato D8/382
- D430,482 S * 9/2000 Stout, Jr. D23/262
- D430,999 S * 9/2000 Lodi D8/354
- D431,175 S * 9/2000 Lodi D8/354
- 6,116,944 A * 9/2000 Tseng H01R 4/2406
439/419
- D632,165 S * 2/2011 Daniel D8/382
- D648,210 S * 11/2011 Reynoso D8/382
- D674,270 S * 1/2013 Gerber H01R 4/2406
D8/356
- D686,061 S * 7/2013 Daniel D8/382
- D692,285 S * 10/2013 Pratt D8/29
- D734,130 S * 7/2015 Ito F16B 21/082
D8/354

(Continued)

- (30) **Foreign Application Priority Data**
Oct. 11, 2019 (JP) 2019-022820
Mar. 26, 2020 (JP) 2020-005752
- (51) **LOC (13) Cl.** **14-99**
- (52) **U.S. Cl.**
USPC **D8/354**
- (58) **Field of Classification Search**
USPC D8/70, 72, 82, 85, 86, 354, 356, 382,
D8/383, 384, 394, 400, 402, 403, 499
CPC A47G 1/20; A62B 1/22; B28B 23/005;
B66C 1/666; E04C 5/16; E04C 2/3405;
E21B 12/00
See application file for complete search history.

Primary Examiner — Karen S Acker

(57) **CLAIM**

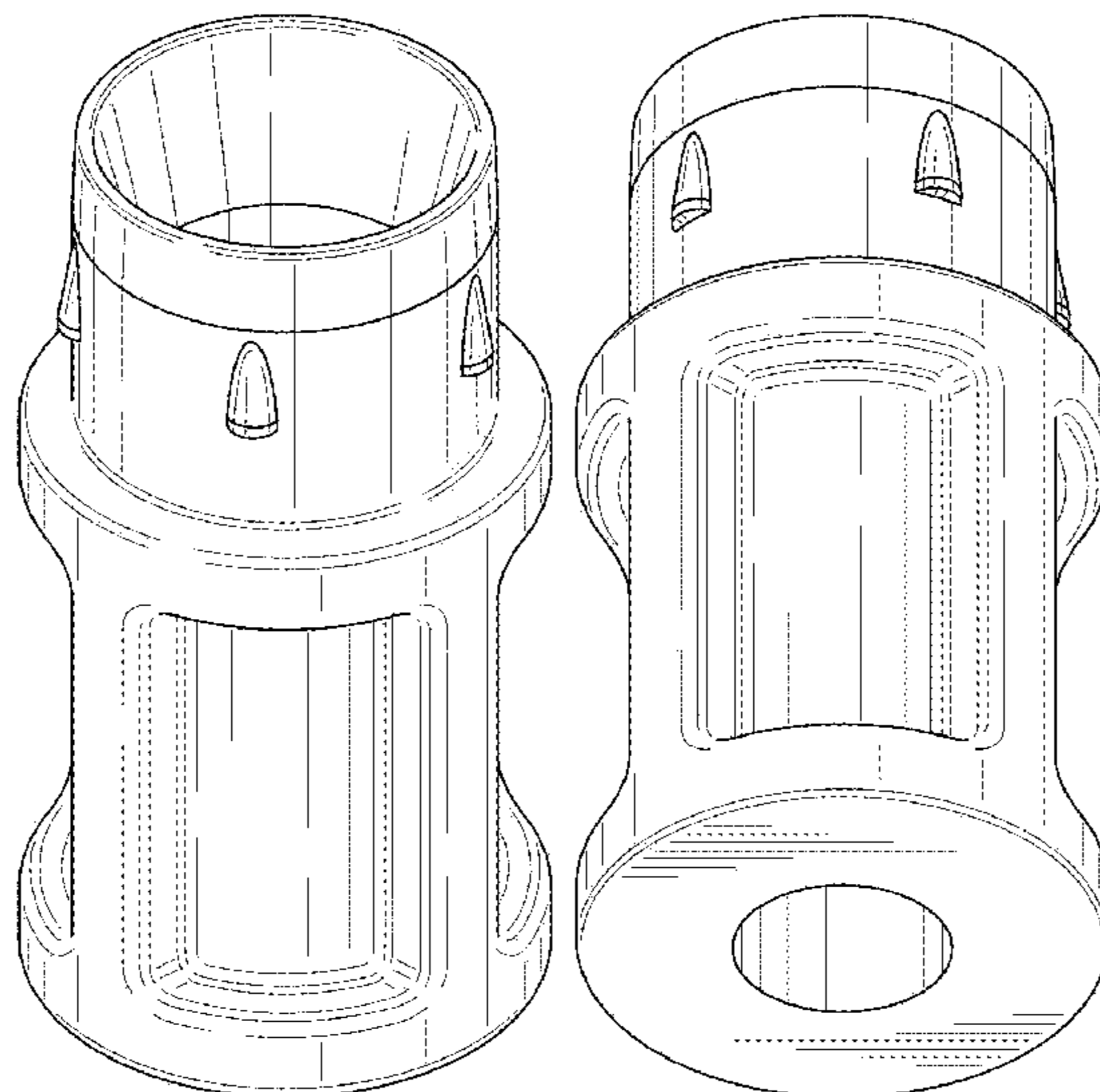
The ornamental design for a board spacer, as shown and described.

DESCRIPTION

FIG. 1.1 is an upper perspective view of a board spacer according to the invention.
 FIG. 1.2 is a lower perspective view thereof.
 FIG. 1.3 is a front elevational view thereof.
 FIG. 1.4 is a rear elevational view thereof.
 FIG. 1.5 is a top plan view thereof.
 FIG. 1.6 is a bottom plan view thereof.
 FIG. 1.7 is a left side elevational view thereof.
 FIG. 1.8 is a right side elevational view thereof.
 FIG. 1.9 is a cross-sectional view thereof, taken in the direction of the dashed line shown in FIG. 1.5.
 FIG. 1.10 is a cross-sectional view thereof, taken in the direction of the dashed line shown in FIG. 1.4.

- (56) **References Cited**
U.S. PATENT DOCUMENTS
1,625,585 A * 4/1927 Harryw B65H 75/18
242/599.2
3,777,052 A * 12/1973 Fegen F16B 21/082
24/336

1 Claim, 10 Drawing Sheets



(56)

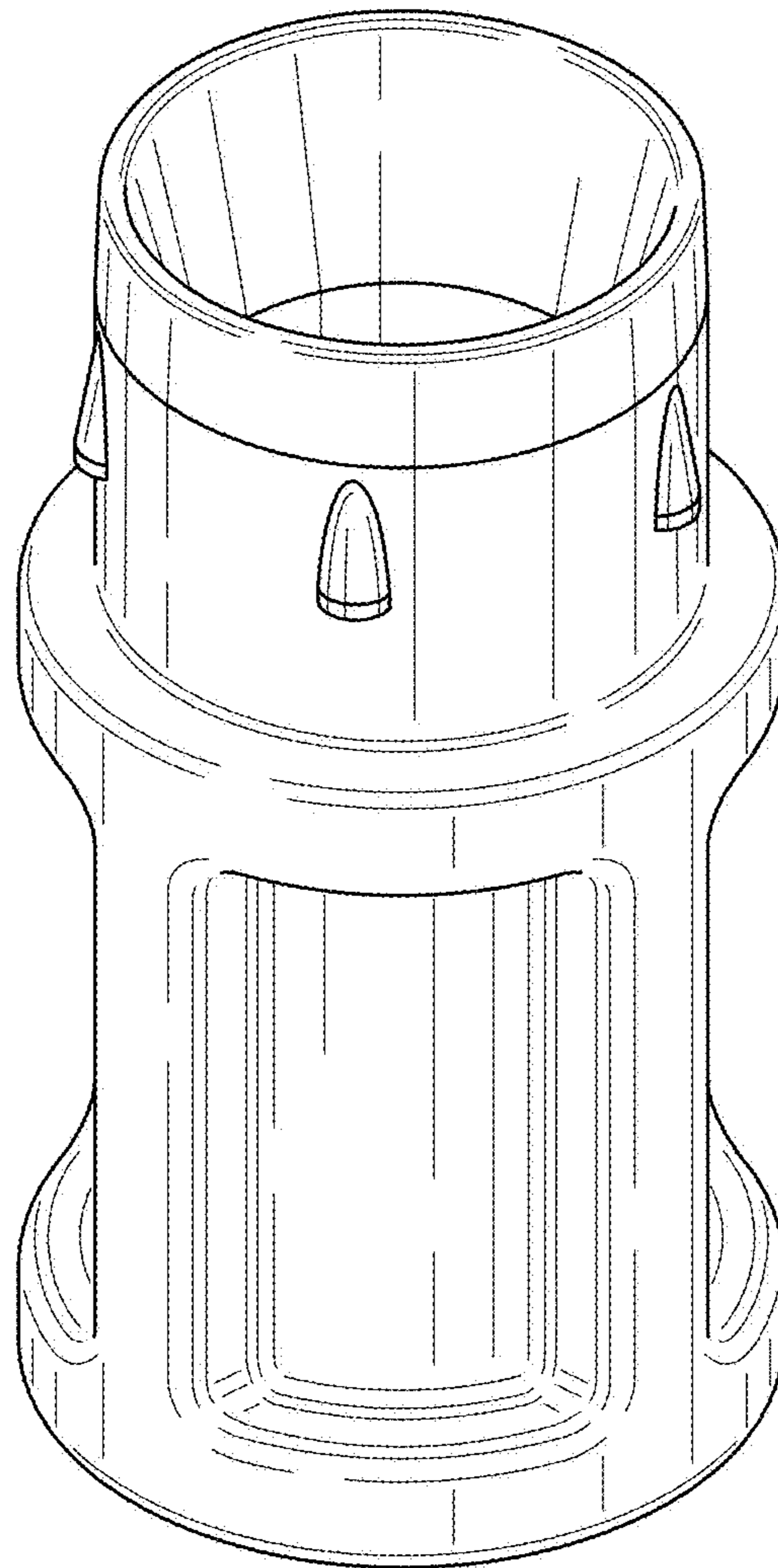
References Cited

U.S. PATENT DOCUMENTS

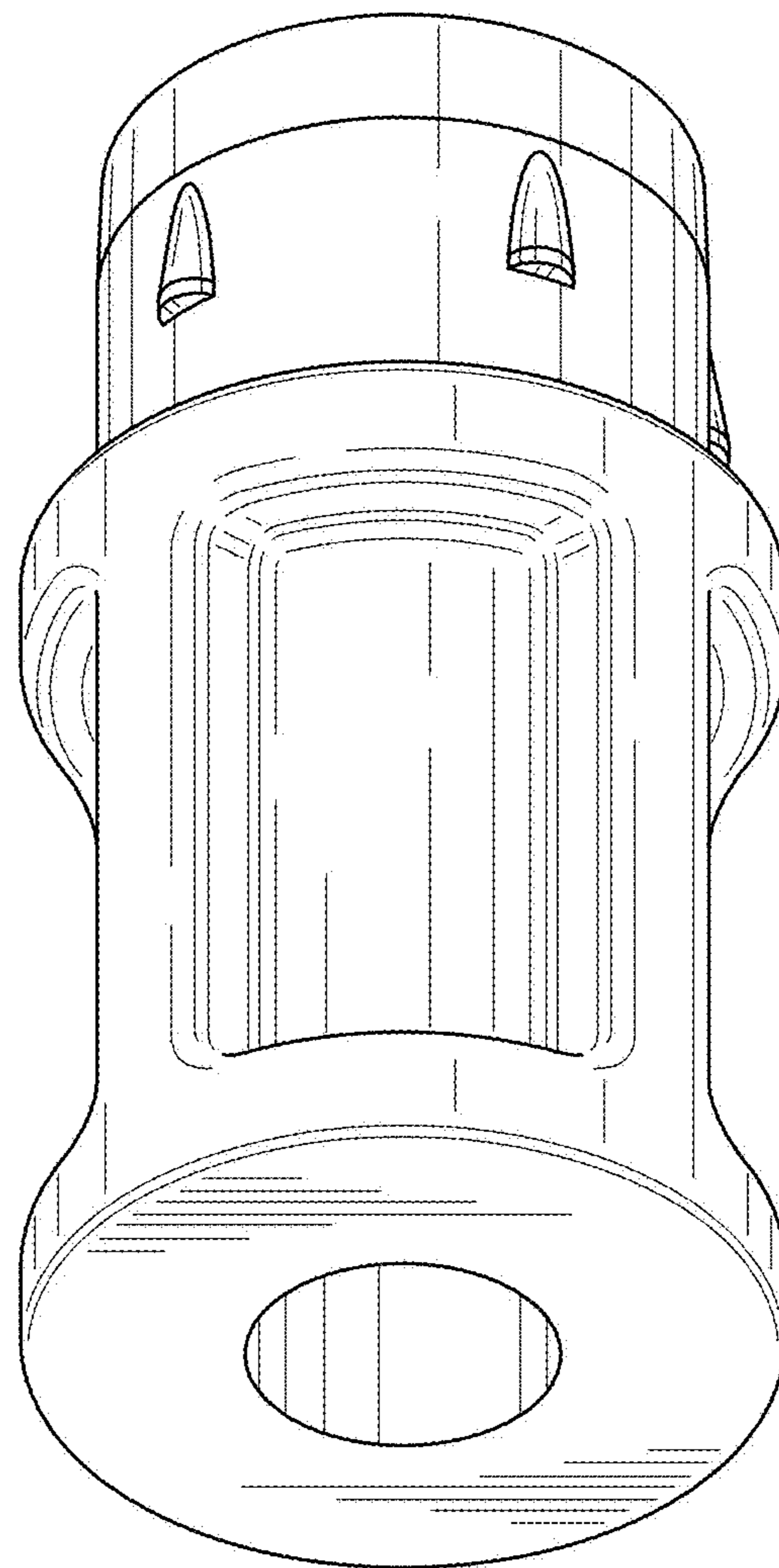
D889,939 S * 7/2020 Bordin D8/354
2013/0277518 A1 * 10/2013 Taveras A47G 1/20
248/231.91

* cited by examiner

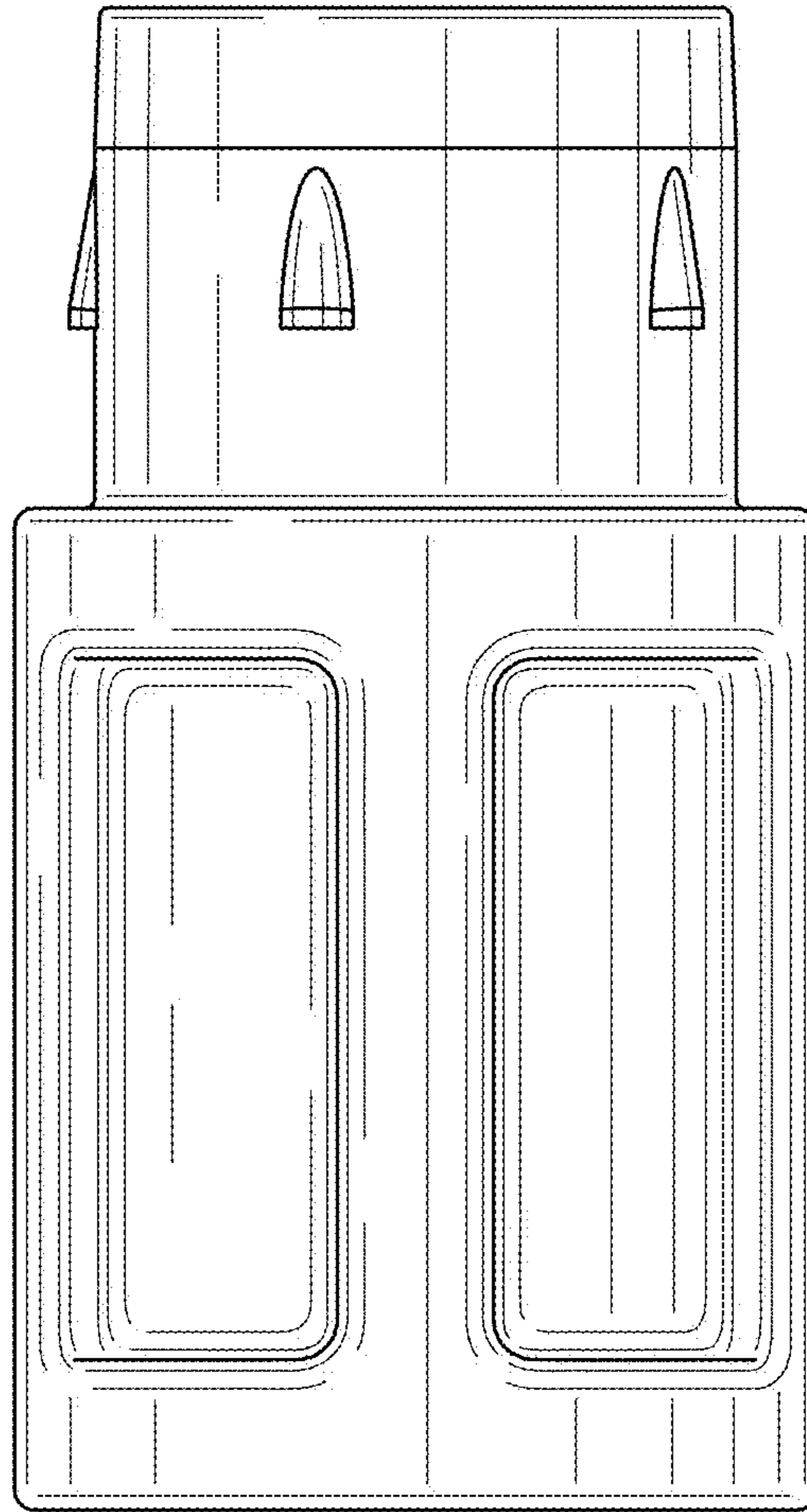
1.1



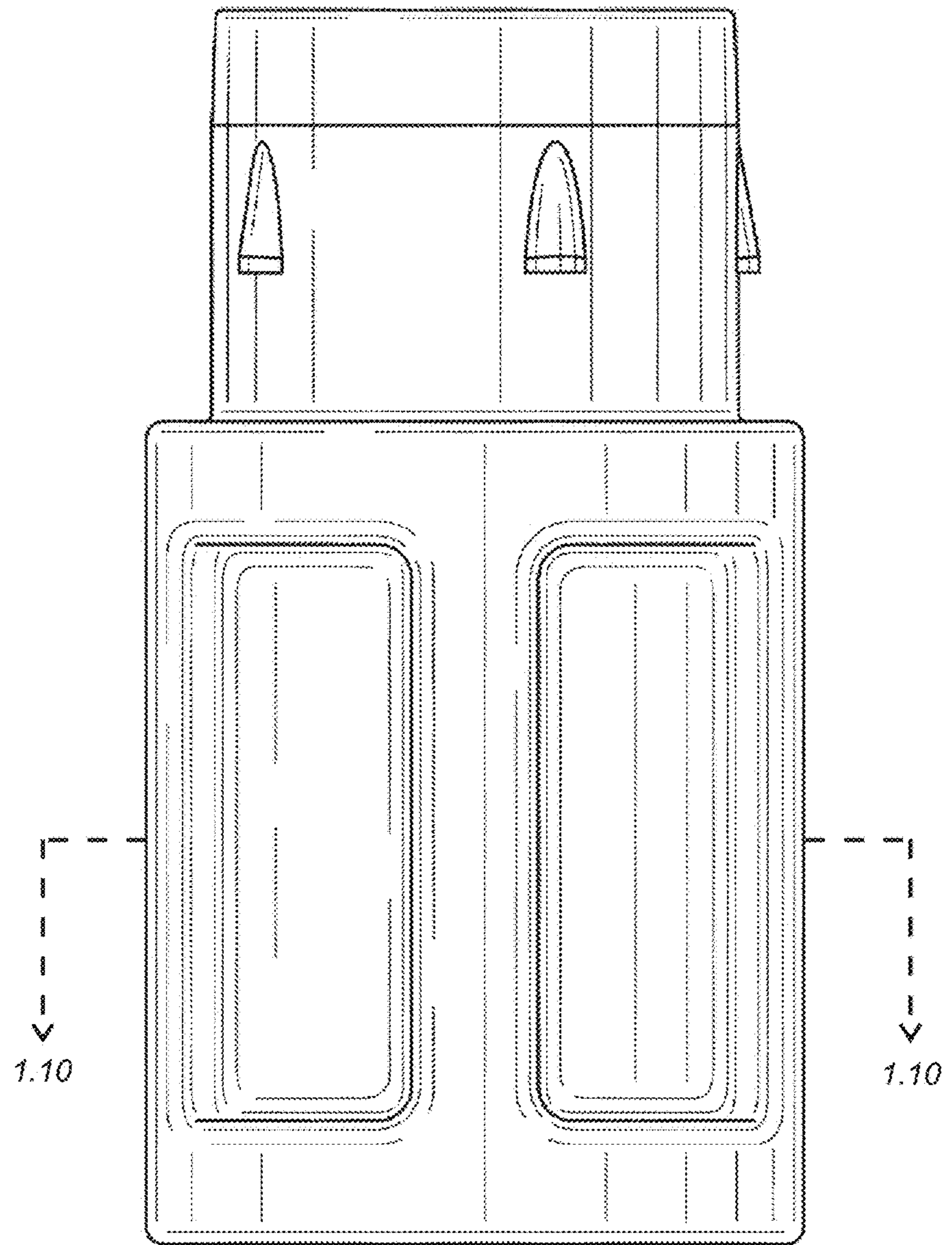
1.2



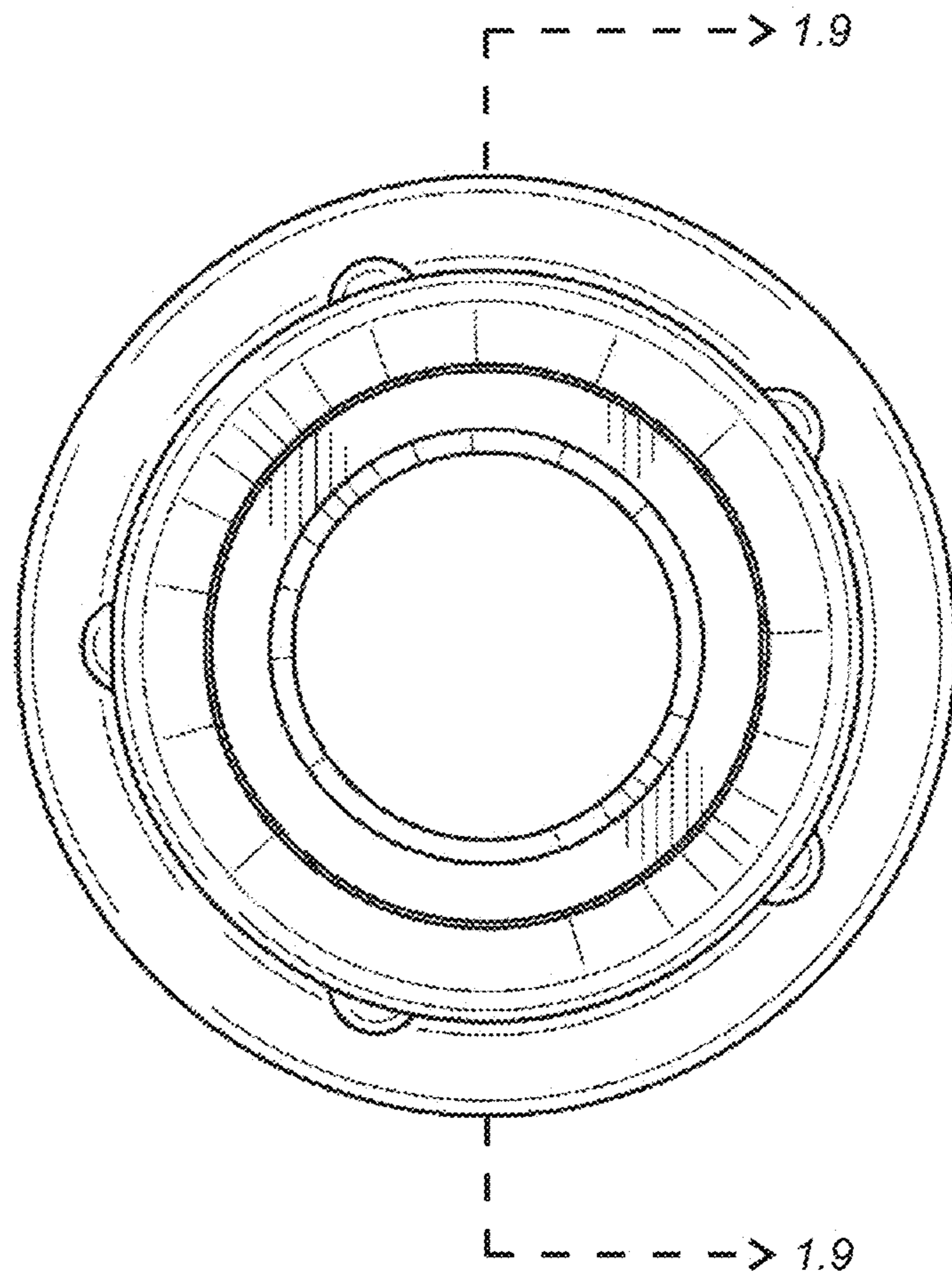
1.3



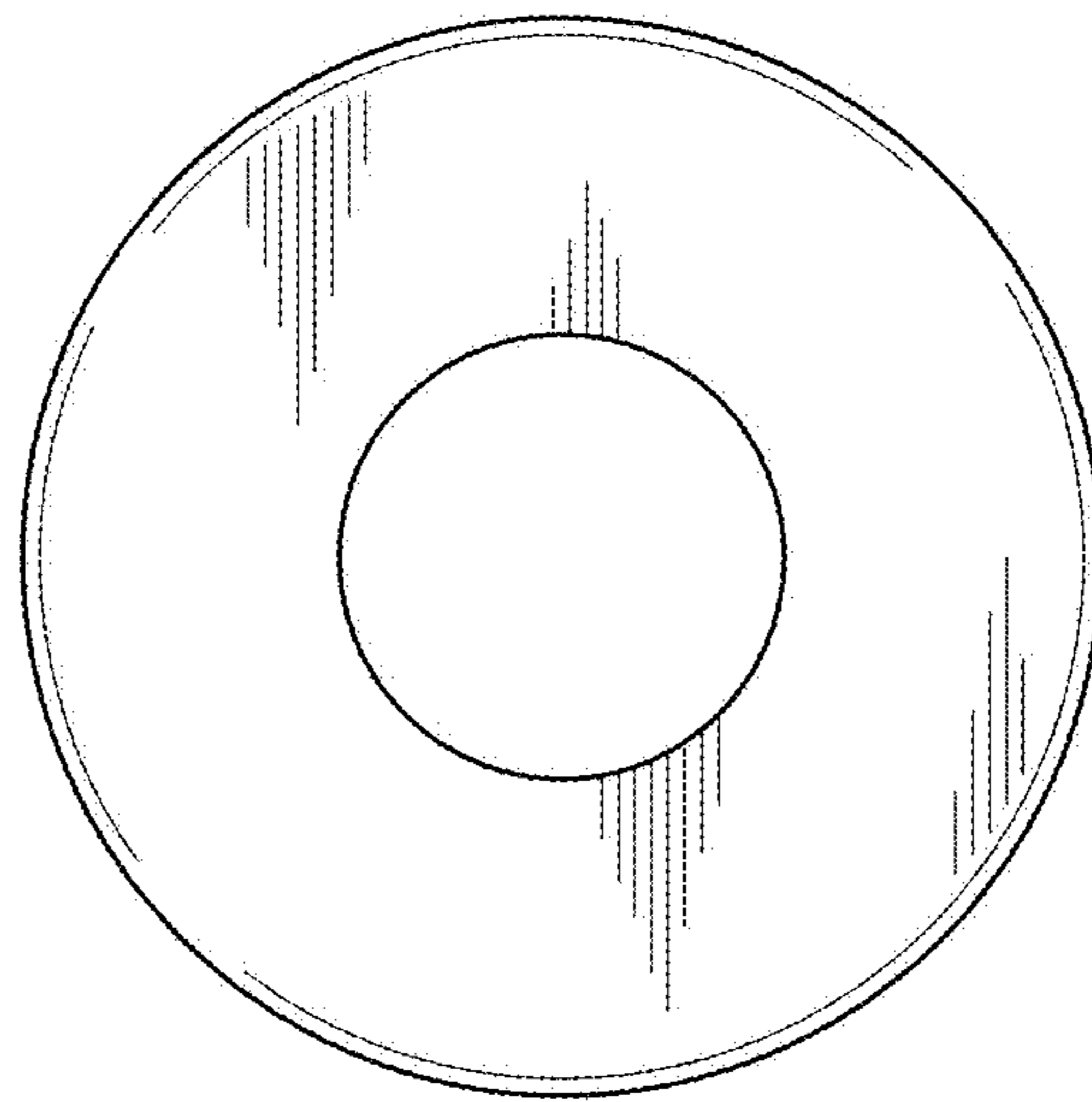
1.4



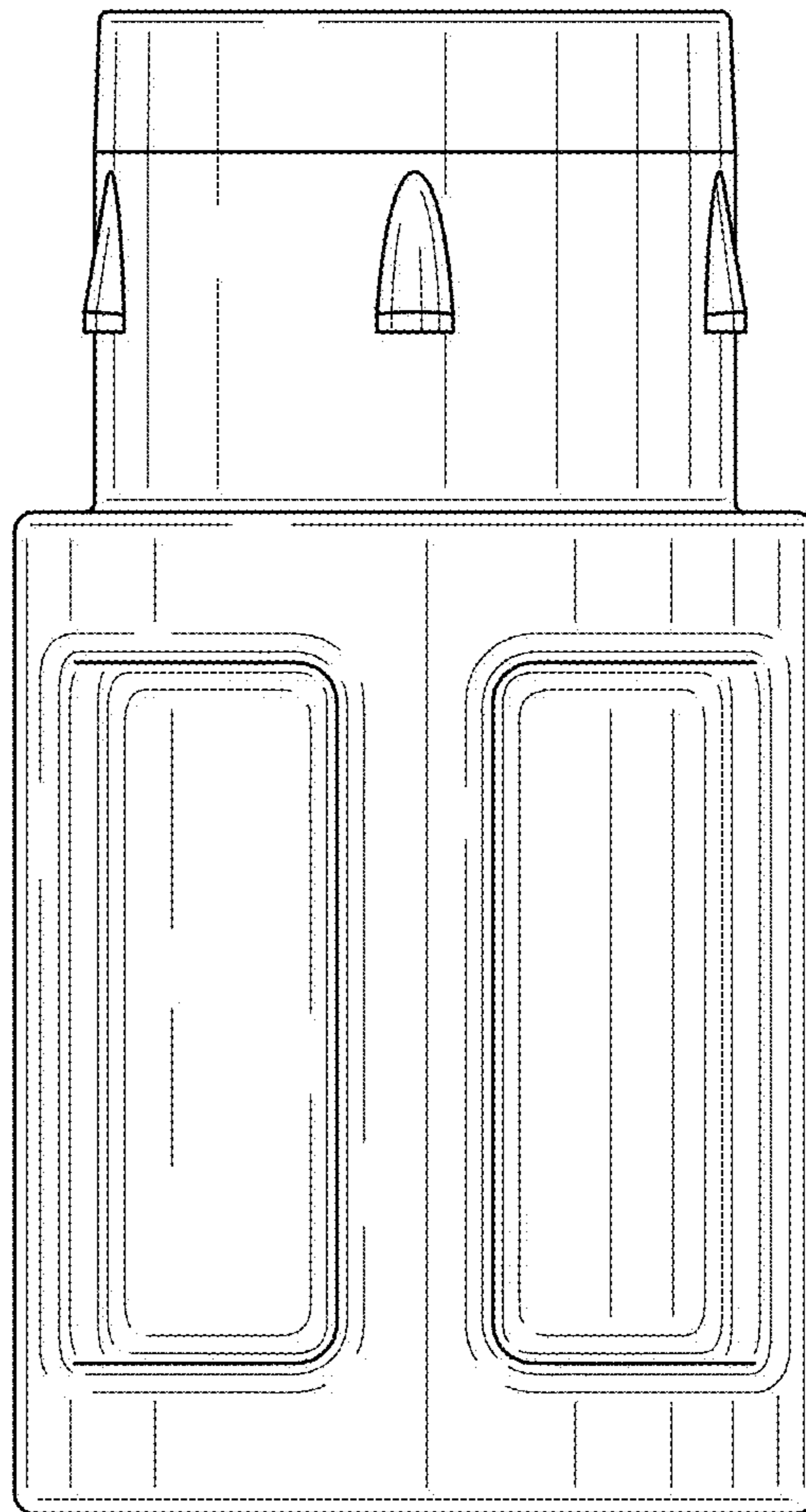
1.5



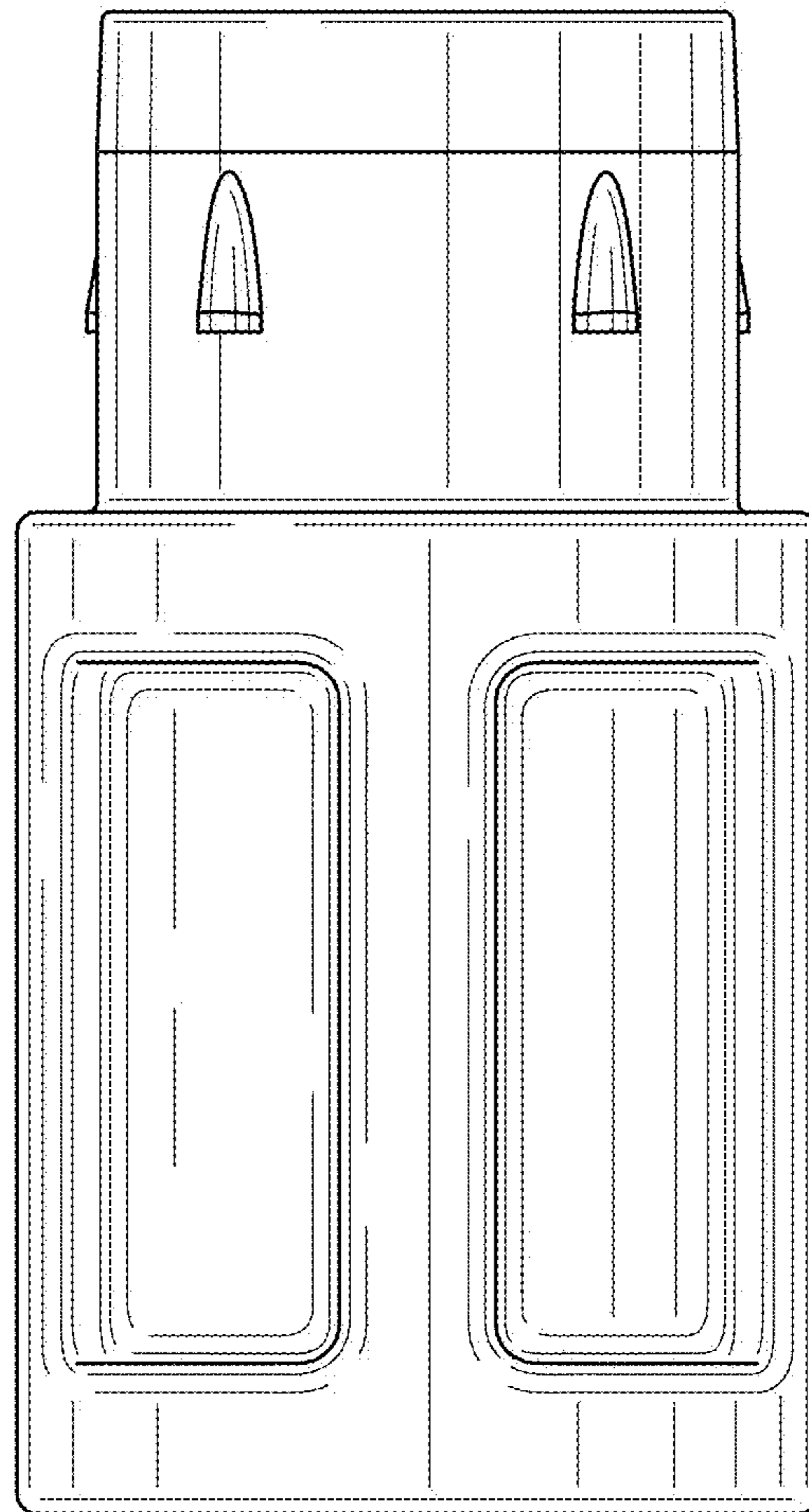
1.6



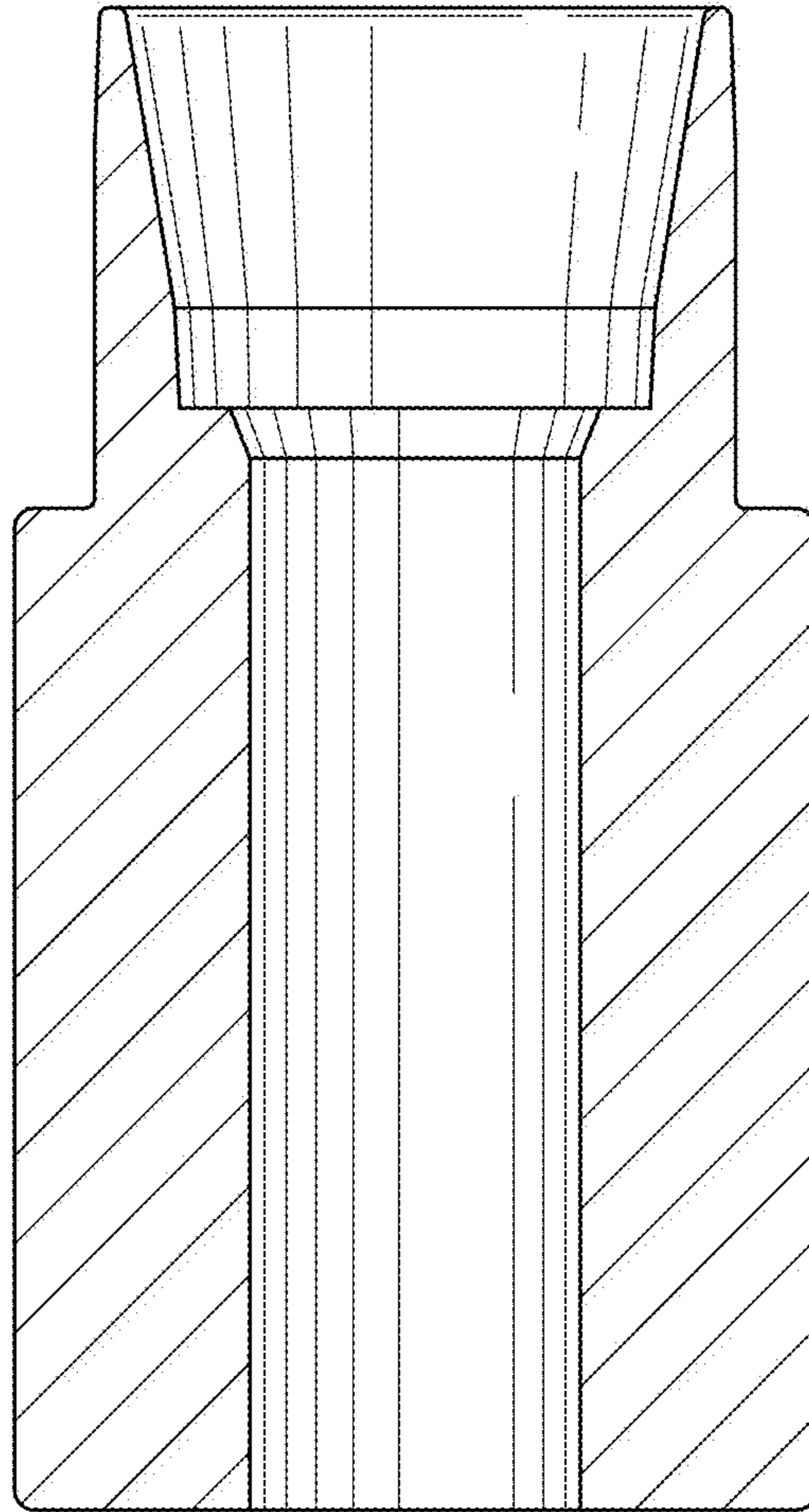
1.7



1.8



1.9



1.10

