



US00D956523S

(12) **United States Design Patent**  
**Templeman**

(10) **Patent No.:** **US D956,523 S**

(45) **Date of Patent:** **\*\* Jul. 5, 2022**

(54) **STICKER EXTRUSION FOR SPACING WOOD**

(71) Applicant: **Imagineering Werks, LLC**, West Palm Beach, FL (US)

(72) Inventor: **Steven W. Templeman**, West Palm Beach, FL (US)

(73) Assignee: **imagineering werks, LLC**, West Palm Beach, FL (US)

(\*\*) Term: **15 Years**

(21) Appl. No.: **29/774,386**

(22) Filed: **Mar. 16, 2021**

(51) **LOC (13) Cl.** ..... **08-05**

(52) **U.S. Cl.**  
USPC ..... **D8/354**

(58) **Field of Classification Search**  
USPC ..... D8/354, 376, 16, 17, 19, 37, 47, 71, 89,  
D8/101, 353, 373, 377, 390, 391, 404;  
D6/512, 524, 528, 534, 672, 680.1, 680.2,  
D6/705.7, 708.25; D25/68-69, 122, 125,  
D25/120, 164, 119, 199  
CPC ..... A47G 33/004; A47H 1/00; A47H 13/00;  
A47H 15/00

See application file for complete search history.

(56) **References Cited**

U.S. PATENT DOCUMENTS

D22,187 S *	1/1893	Harsha	.....	D8/376
D216,014 S	11/1969	Dupont		
4,199,870 A *	4/1980	Arsenault	.....	F26B 25/185 34/518
4,811,516 A *	3/1989	Anderson	.....	E01F 13/06 49/141
D343,350 S	1/1994	Gold		
5,461,836 A *	10/1995	Yang	.....	E04F 11/16 52/312
D372,539 S	8/1996	Davies		

D378,347 S *	3/1997	Bain	.....	D8/354
5,813,137 A *	9/1998	Townsend	.....	B27F 1/02 248/346.02
6,134,803 A *	10/2000	Gilchrist	.....	F26B 25/185 34/239
D451,612 S	12/2001	Thibault et al.		
6,517,926 B1 *	2/2003	Therrien	.....	B65G 1/14 428/113
7,003,898 B2 *	2/2006	Aaron	.....	F26B 25/185 34/518
D538,219 S	3/2007	Rakow		
D569,655 S *	5/2008	Williams	.....	D6/682.2
D664,025 S *	7/2012	Horn	.....	D8/354
D664,921 S	8/2012	Stone et al.		
D689,206 S	9/2013	Ellsworth		

(Continued)

*Primary Examiner* — Keli L Hill

*Assistant Examiner* — Harold E Blackwell, II

(74) *Attorney, Agent, or Firm* — Martin & Associates, LLC; Derek P. Martin

(57) **CLAIM**

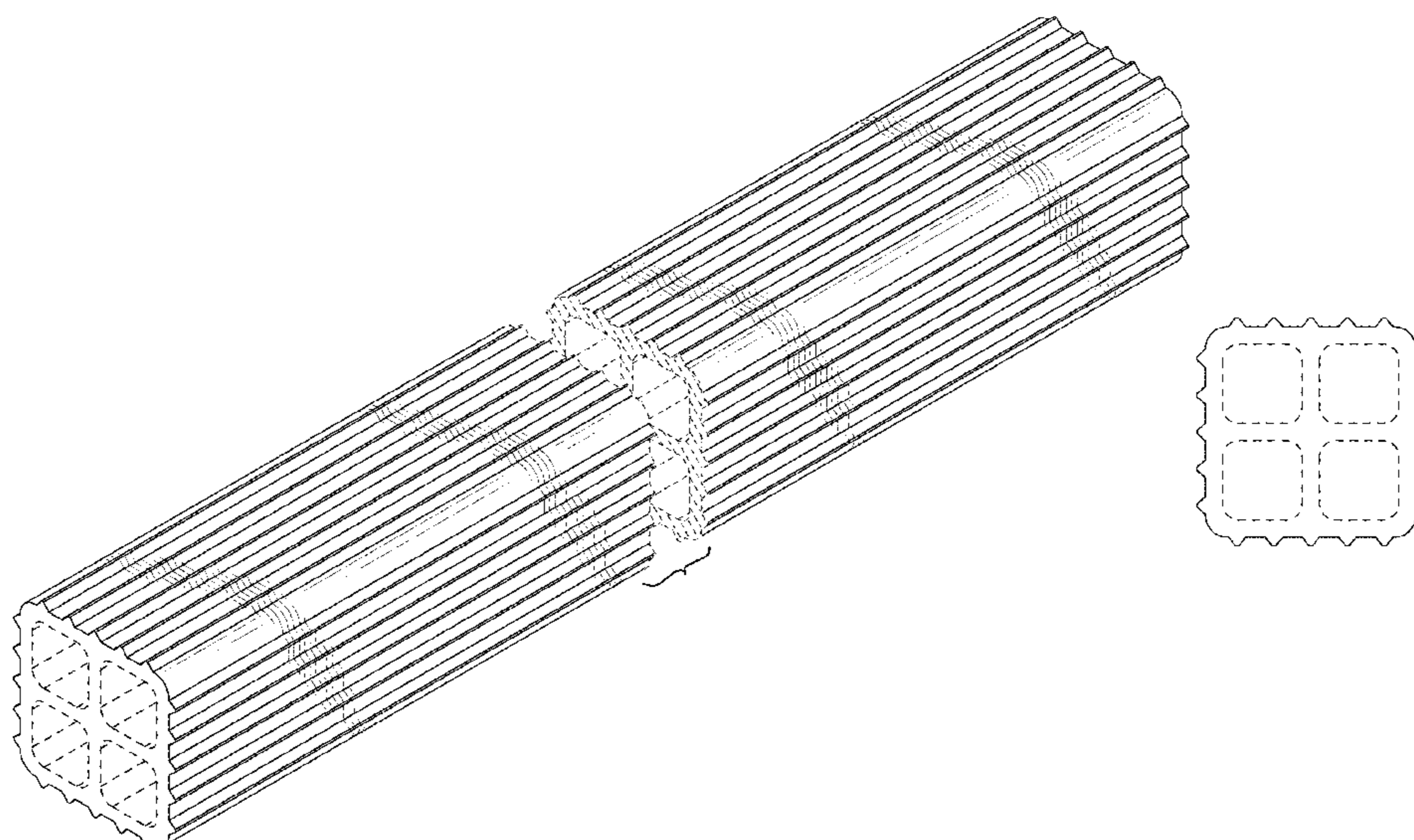
The ornamental design for an sticker extrusion for spacing wood, as shown and described.

**DESCRIPTION**

FIG. 1 is a perspective view of the sticker extrusion for spacing wood showing the new design; FIG. 2 is a side view thereof, with the opposing side view and the top and bottom views being identical; and, FIG. 3 is an end view thereof, with the opposing end view being identical.

The broken lines in the drawings illustrate portions of the sticker extrusion for spacing wood which form no part of the claimed design. The sticker extrusion for spacing wood is shown in FIGS. 1 and 2 with a symbolic break in its length. The appearance of any portion of the article between the break lines forms no part of the claimed design.

**1 Claim, 2 Drawing Sheets**



(56)

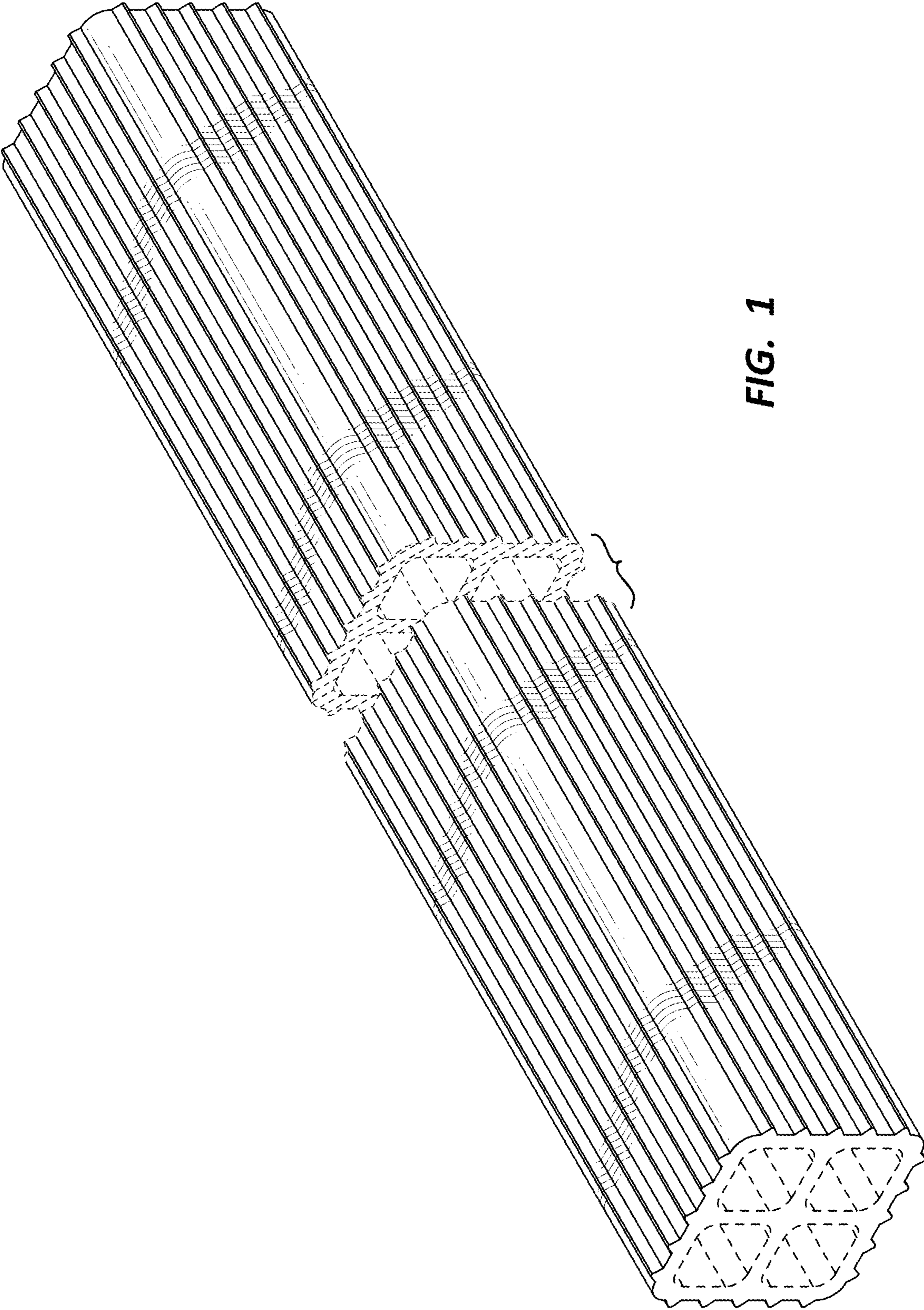
**References Cited**

U.S. PATENT DOCUMENTS

8,556,976 B2 \* 10/2013 Jacofsky ..... A61F 2/4611  
606/86 A  
D744,666 S 12/2015 Weber  
9,309,714 B2 \* 4/2016 Nieminen ..... E06B 3/67326  
D796,344 S \* 9/2017 Paulick ..... D25/115  
9,851,148 B2 12/2017 Templeman et al.  
D807,153 S 1/2018 Templeman et al.  
D826,694 S 8/2018 Templeman et al.  
10,365,041 B2 7/2019 Templeman et al.  
D902,695 S \* 11/2020 Pettey ..... D25/119  
D939,331 S \* 12/2021 Comalander ..... D8/380  
2018/0099319 A1 \* 4/2018 Pettey ..... B21C 23/142

\* cited by examiner





**FIG. 1**

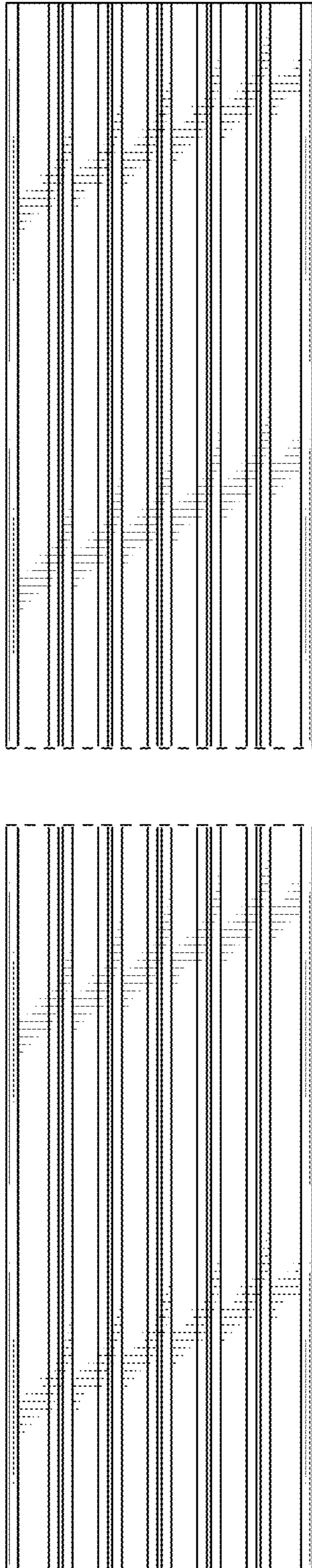


FIG. 2

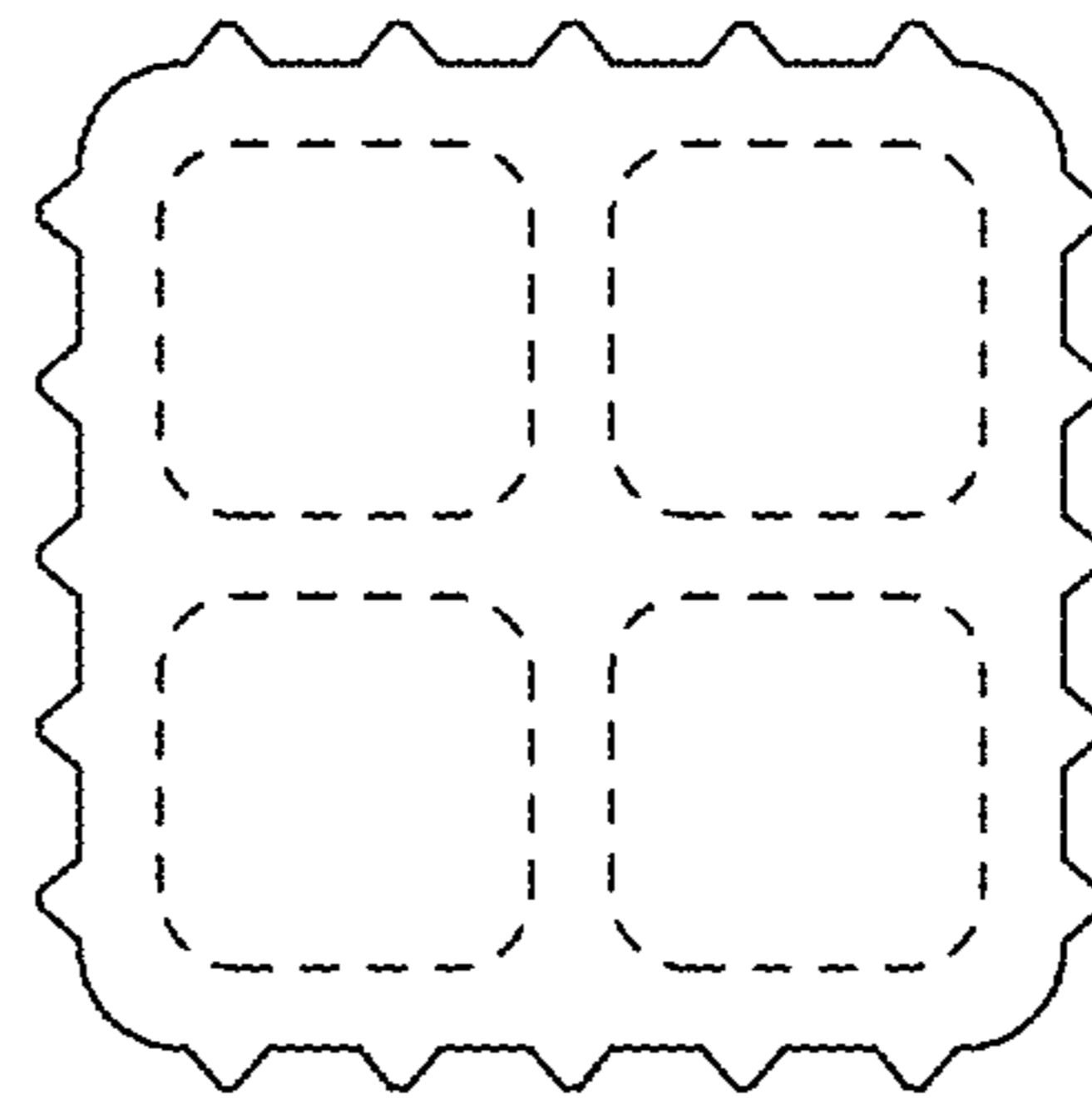


FIG. 3