



US00D956522S

(12) **United States Design Patent** (10) **Patent No.:** **US D956,522 S**
Smith (45) **Date of Patent:** **** Jul. 5, 2022**

(54) **CONDUIT NIPPLE GROUNDING BUSHING**

(71) Applicant: **Bridgeport Fittings, LLC**, Stratford, CT (US)

(72) Inventor: **Lawrence J. Smith**, Stamford, CT (US)

(73) Assignee: **Bridgeport Fittings, LLC**, Stratford, CT (US)

(**) Term: **15 Years**

(21) Appl. No.: **29/729,182**

(22) Filed: **Mar. 24, 2020**

(51) **LOC (13) Cl.** **08-05**

(52) **U.S. Cl.**
USPC **D8/354**

(58) **Field of Classification Search**
USPC D8/70-72, 371-377, 380-381, 394-398;
D13/151, 154
CPC H01R 4/60; H01R 4/643; H01R 4/70
See application file for complete search history.

(56) **References Cited**

U.S. PATENT DOCUMENTS

1,692,710	A *	11/1928	Spahn	H02G 3/06 220/288
1,977,861	A *	10/1934	Pond	B21D 53/24 470/25
3,967,872	A *	7/1976	Mooney	H01R 4/64 439/100
D243,407	S *	2/1977	Mooney	D13/149
4,189,198	A *	2/1980	Reichman	H01R 4/64 439/100
D573,102	S *	7/2008	Sheehan	D13/153
8,106,297	B1 *	1/2012	Kiely	H02G 3/22 174/78
D666,153	S *	8/2012	Smith	D13/149
D782,621	S *	3/2017	Smith	D23/259
9,705,256	B1 *	7/2017	Smith	H01R 4/26
D862,203	S *	10/2019	Beagen	D8/354

10,461,443	B2 *	10/2019	Smith	H01R 4/22
D872,563	S *	1/2020	Beagen	D8/354
10,784,600	B1 *	9/2020	Smith	H02G 3/0616
D908,096	S *	1/2021	Smith	D13/149
D913,958	S *	3/2021	Holton	D13/155
2005/0255728	A1 *	11/2005	Pyron	H01R 4/643 439/100

(Continued)

OTHER PUBLICATIONS

“Halex Rigid Insulated Grounding Bushing”, Jun. 8, 2005, Amazon.com, site visited Dec. 15, 2021: <https://www.amazon.com/Halex-29523-1-Inch-Insulated-Bushing/dp/B000VZKHUM> (Year: 2005).*

(Continued)

Primary Examiner — Jack Reickel

Assistant Examiner — Michael A Kervin

(74) *Attorney, Agent, or Firm* — Ware, Fressola, Maguire & Barber LLP

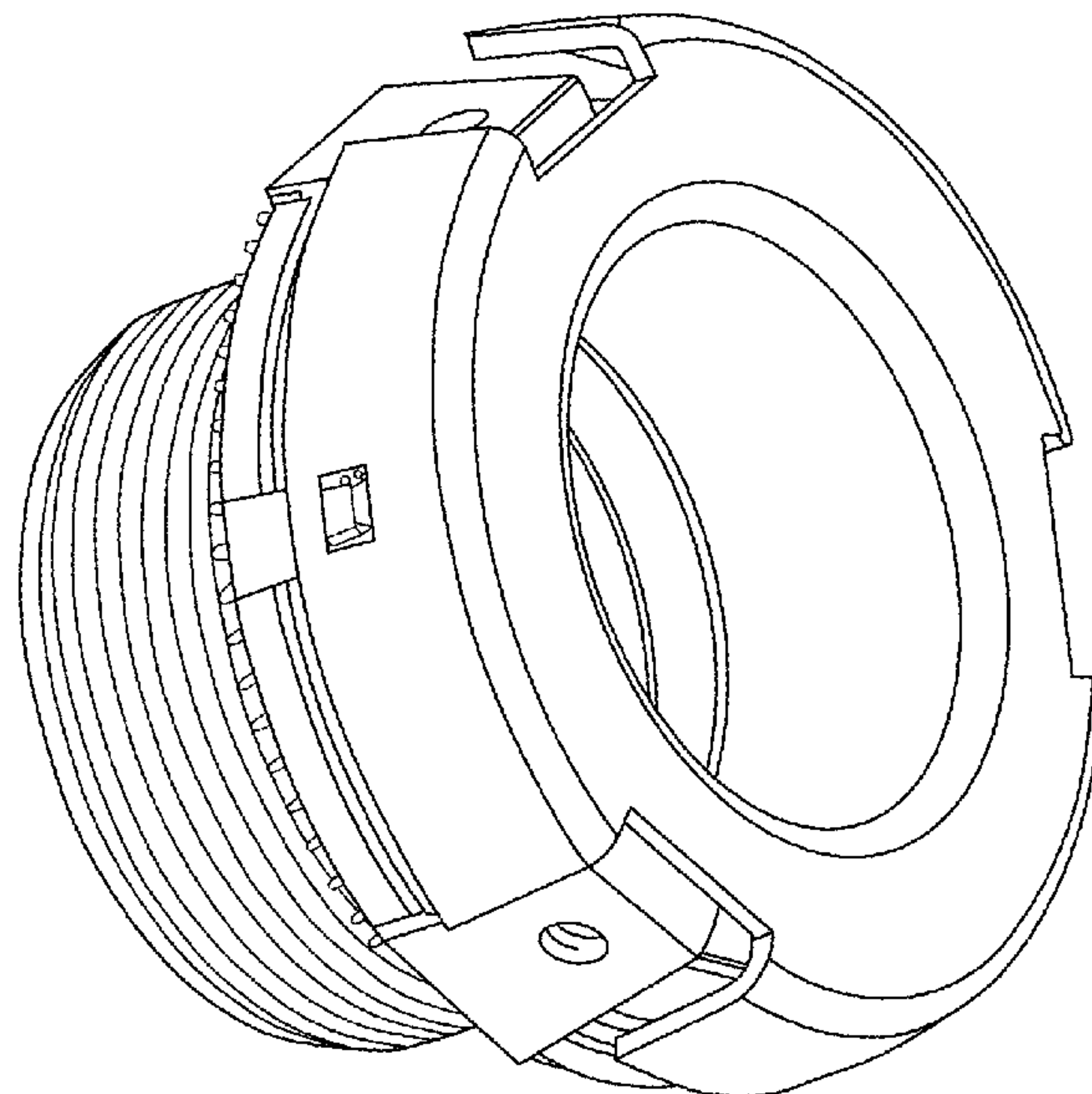
(57) **CLAIM**

The ornamental design for a conduit nipple grounding bushing, as shown and described.

DESCRIPTION

FIG. 1 is a front perspective view of the conduit nipple grounding bushing, showing my new design.
FIG. 2 is a front view thereof.
FIG. 3 is a rear view thereof.
FIG. 4 is a right side view thereof.
FIG. 5 is a top view thereof.
FIG. 6 is a left side view thereof; and,
FIG. 7 is a perspective view thereof, shown with environment.
The dashed lines shown in FIG. 7 are for the purpose of illustrating a grounding lug attached to the conduit nipple grounding bushing that form no part of the claimed design.

1 Claim, 6 Drawing Sheets



(56)

References Cited

U.S. PATENT DOCUMENTS

2021/0296869 A1* 9/2021 Smith H02G 3/0616

OTHER PUBLICATIONS

“O-Z/Gedney BBL-150 Threaded Conduit Bushing”, Dec. 2007,
StateElectric.com, site visited Dec. 15, 2021: <https://www.stateelectric.com/products/o-z-gedney-bbl-150/> (Year: 2007).*

* cited by examiner

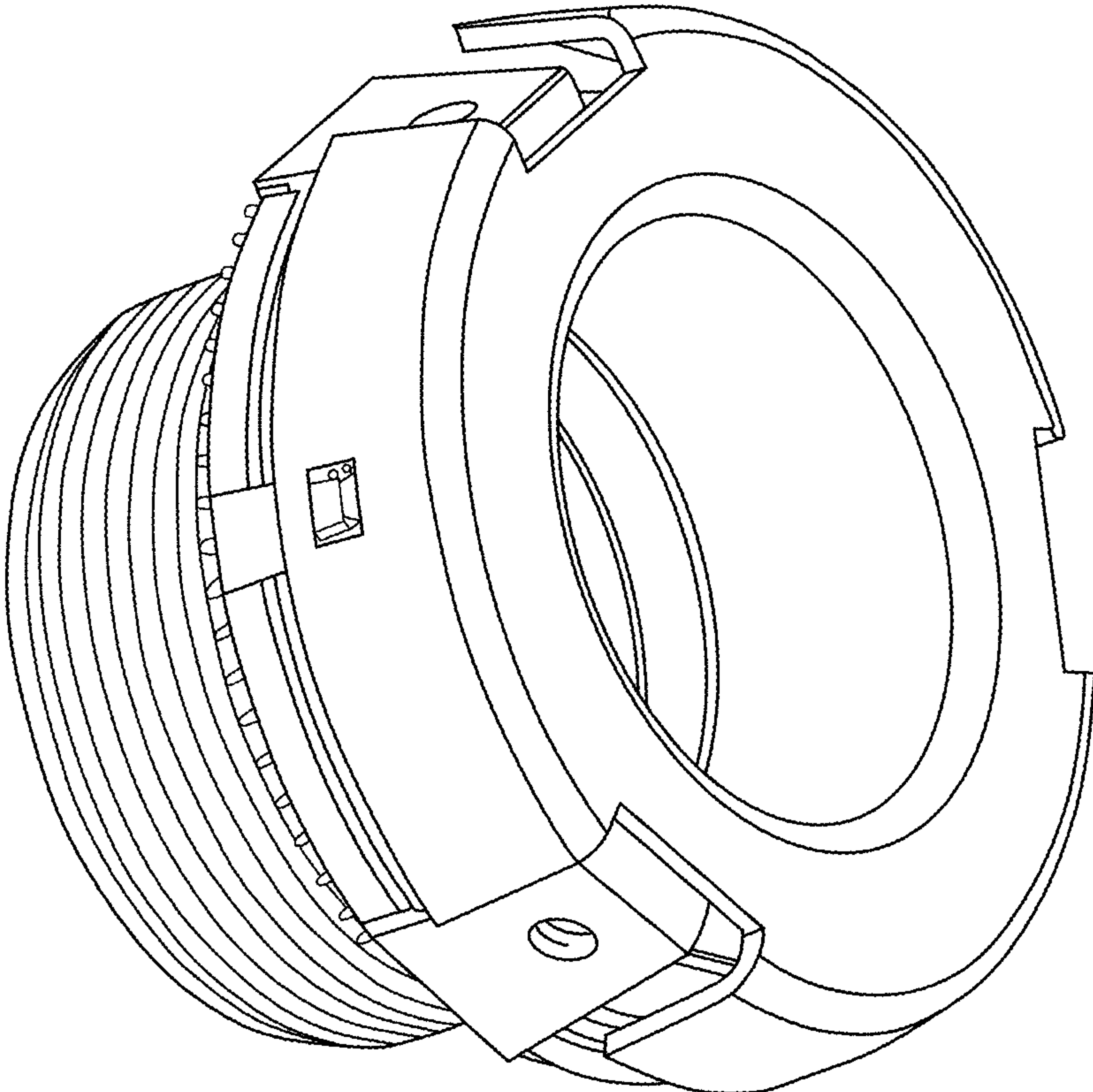


FIG. 1

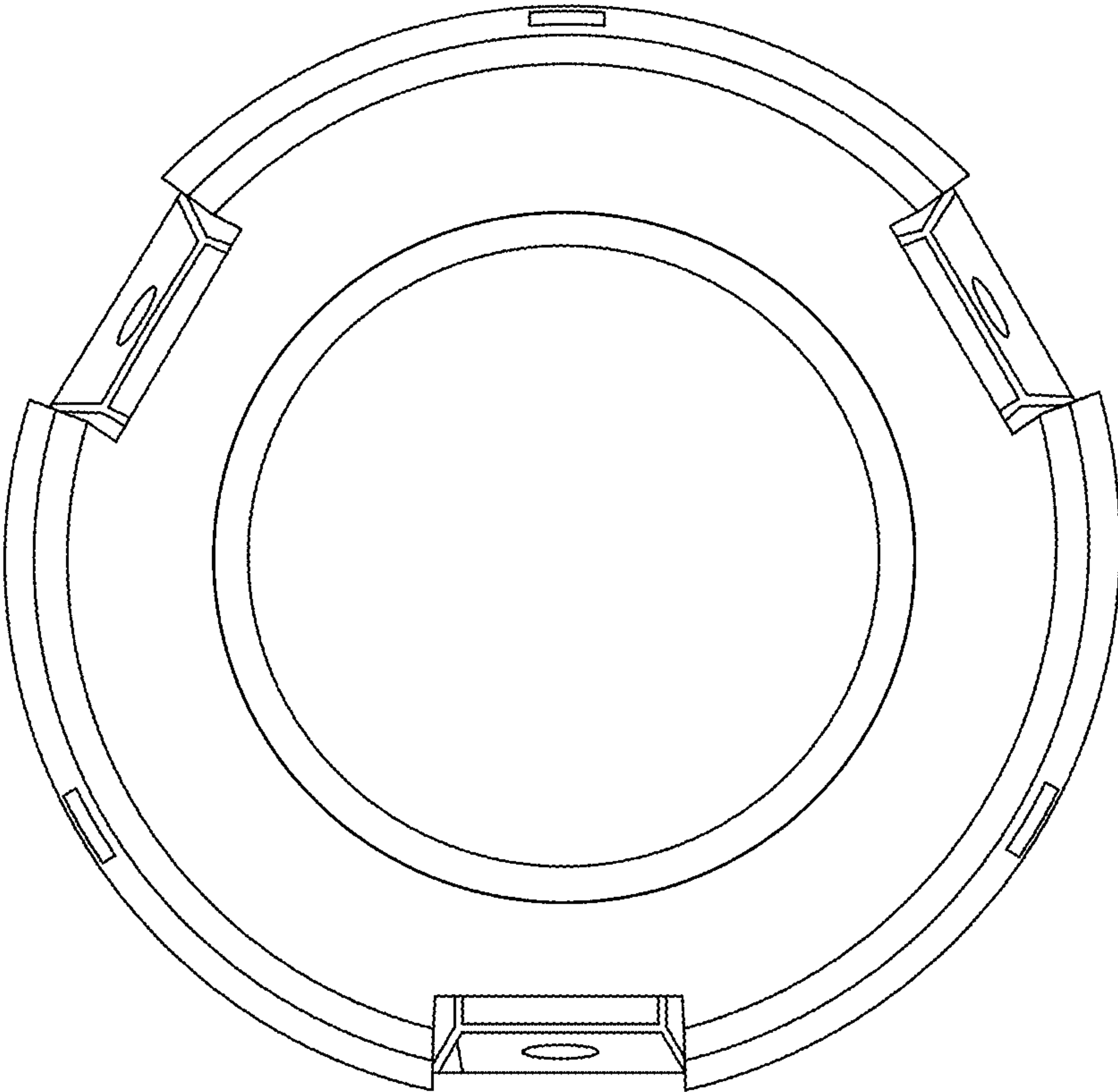


FIG. 2

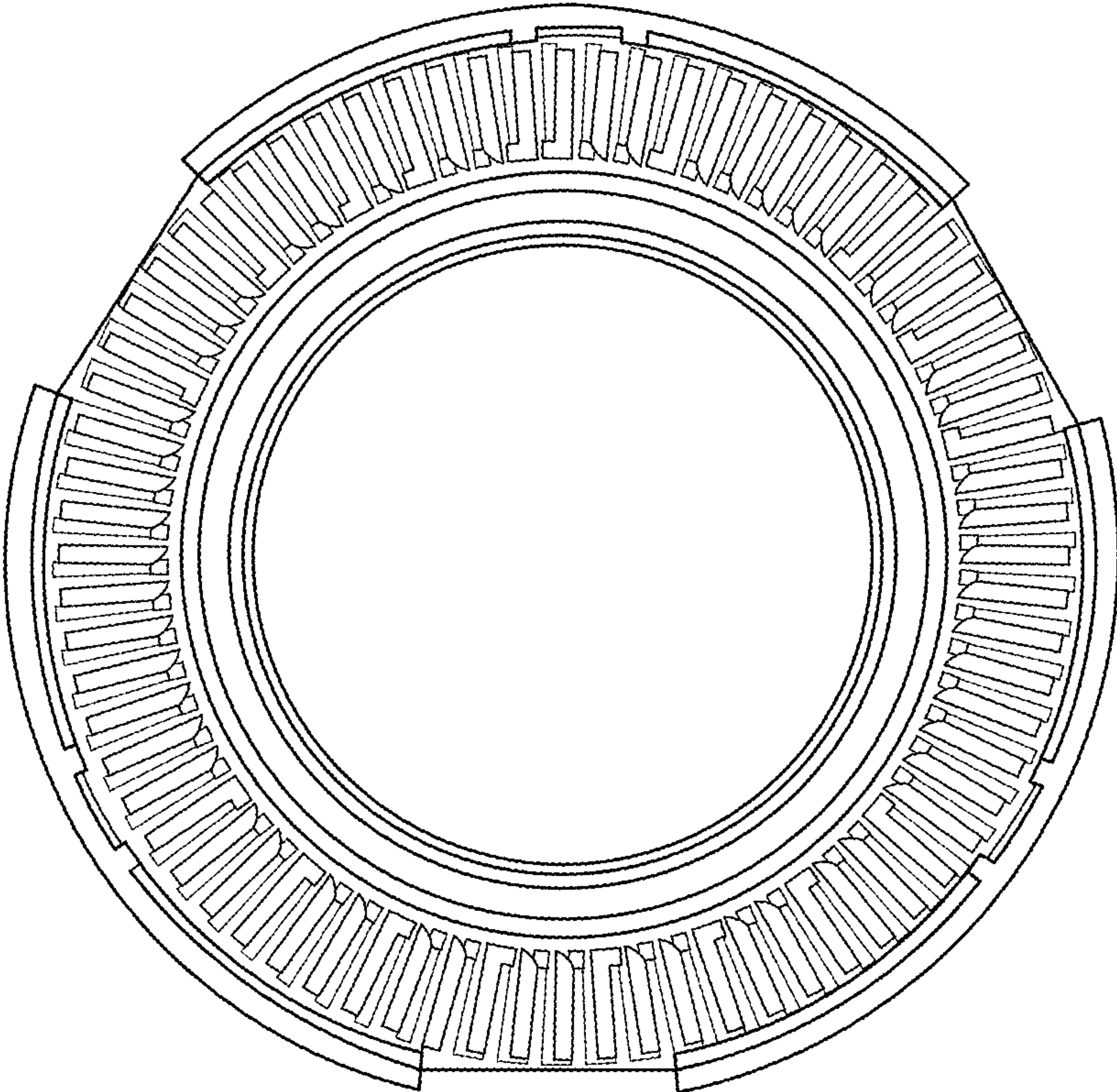


FIG. 3

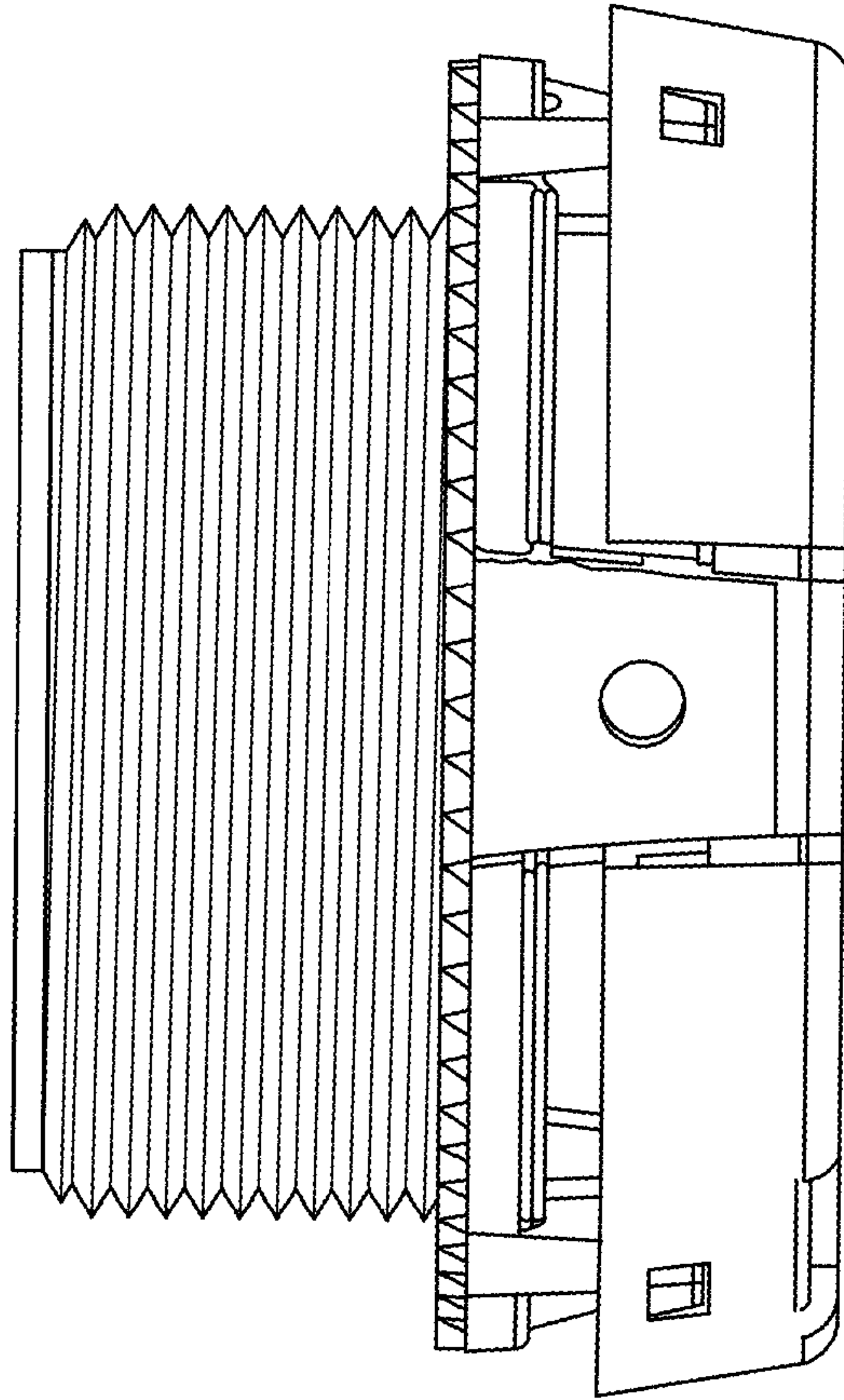


Fig. 4

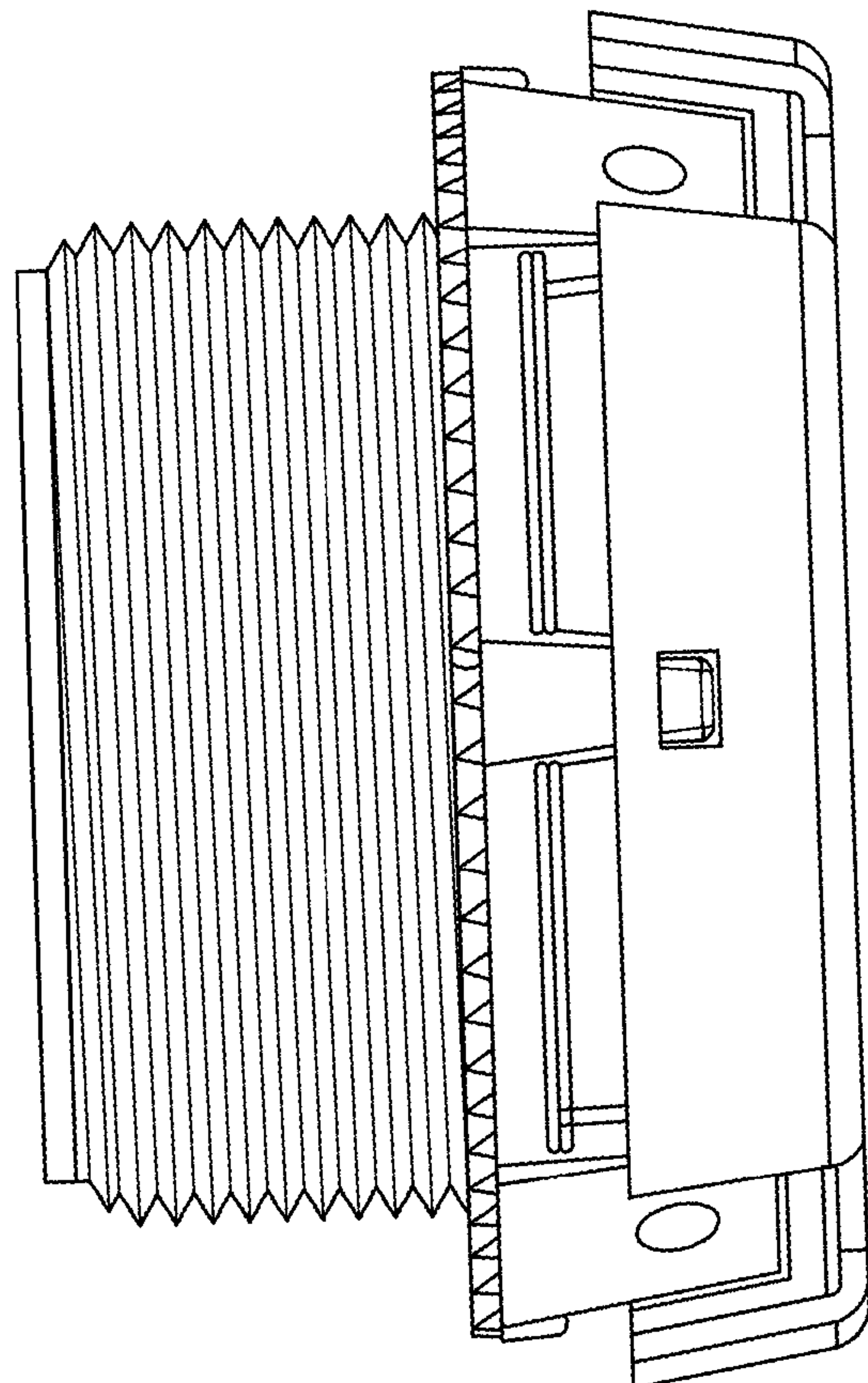


Fig. 5

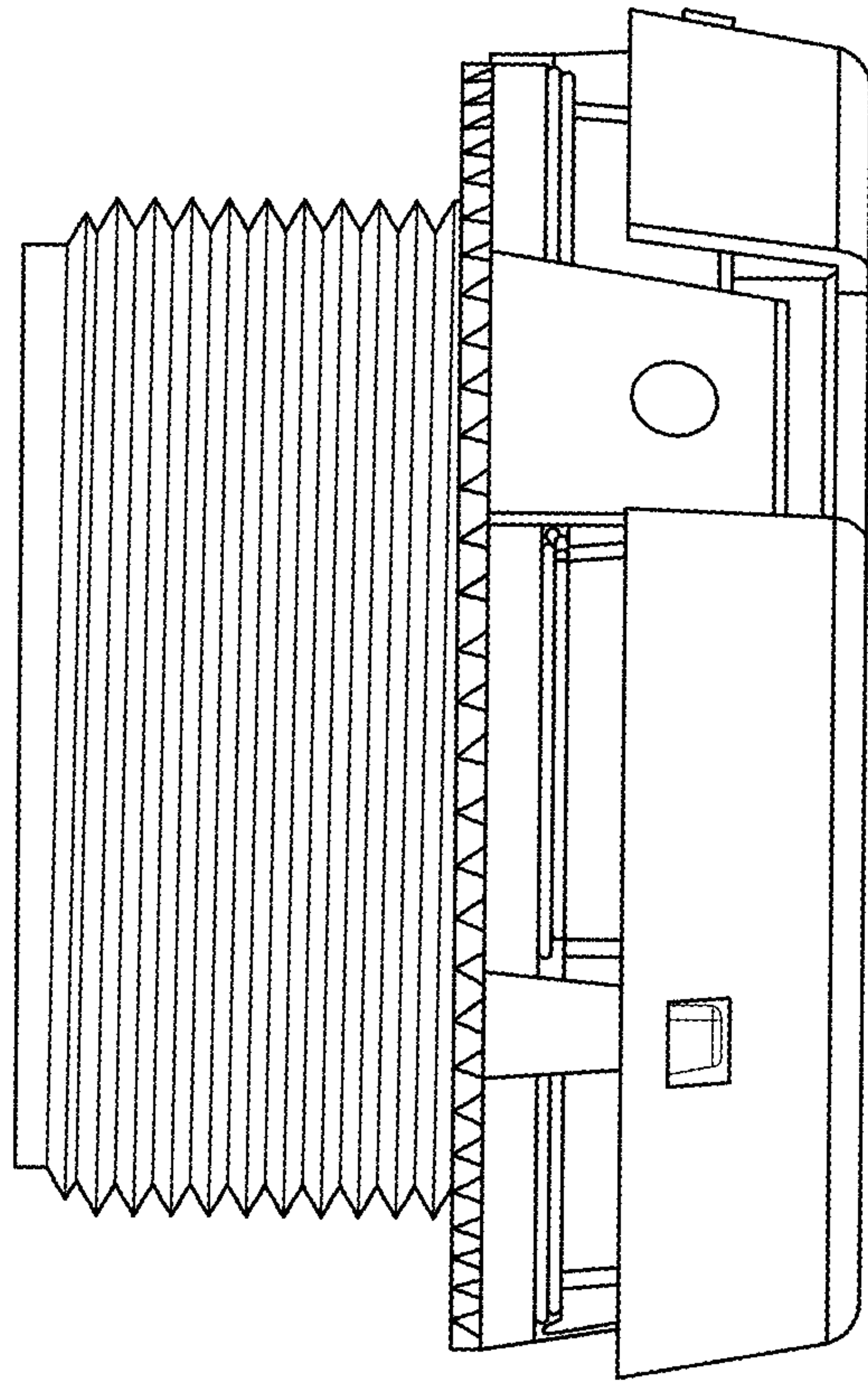


FIG. 6

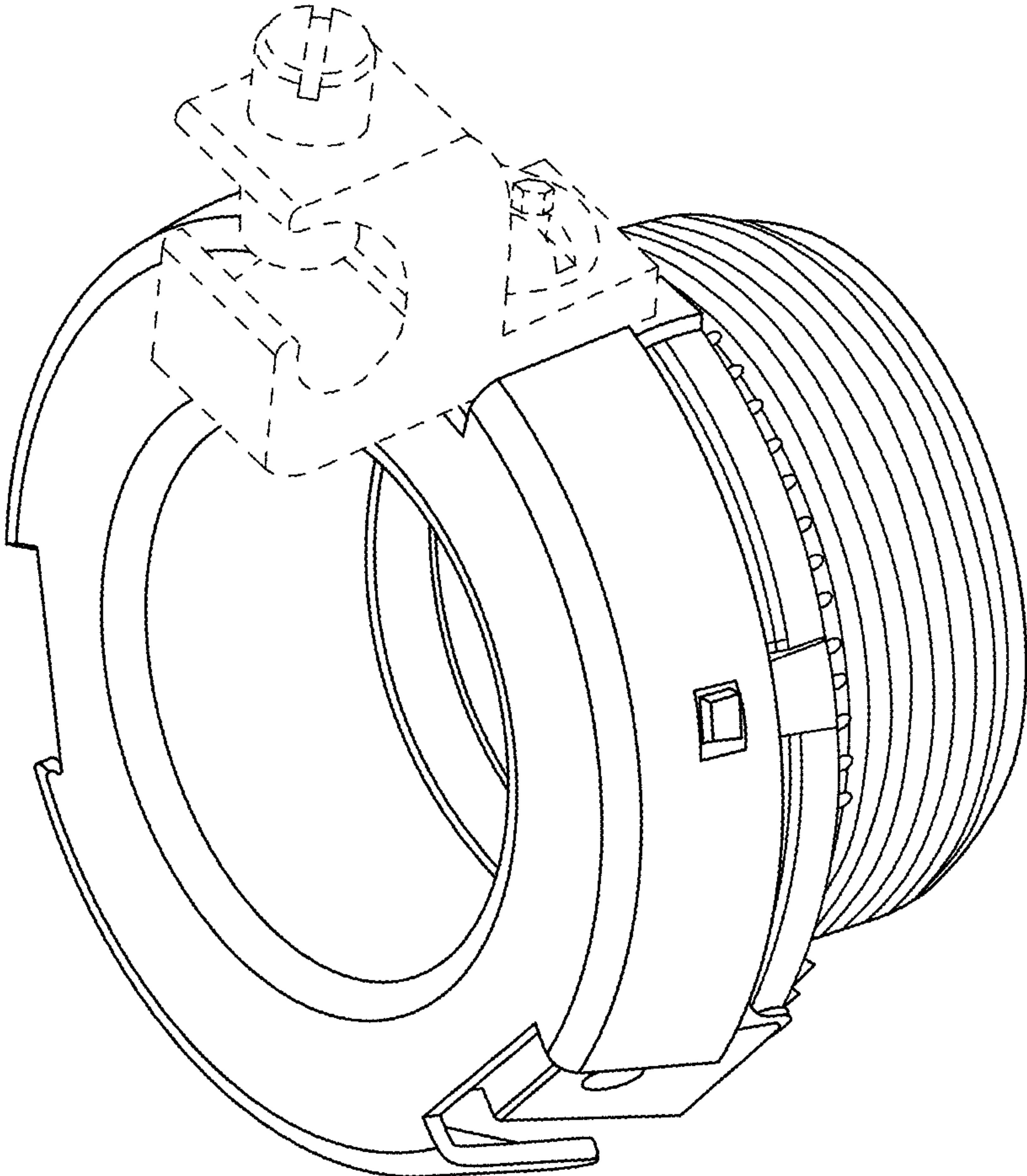


Fig. 7