



US00D956521S

(12) **United States Design Patent** (10) **Patent No.:** **US D956,521 S**
Schmaltz (45) **Date of Patent:** **** Jul. 5, 2022**

- (54) **BRACE**
- (71) Applicant: **Hawaii Aquatics Foundation**, Kailua, HI (US)
- (72) Inventor: **Dean E Schmaltz**, Kailua, HI (US)
- (**) Term: **15 Years**
- (21) Appl. No.: **29/723,311**
- (22) Filed: **Feb. 5, 2020**
- (51) **LOC (13) Cl.** **08-05**
- (52) **U.S. Cl.**
USPC **D8/354; D25/61**
- (58) **Field of Classification Search**
USPC D8/330, 331, 333, 319, 349, 354, 355, D8/356, 363, 373, 380, 382; D25/2, 61, D25/132, 133
CPC A47F 5/00; A47G 1/20; F16L 3/00
See application file for complete search history.

- D784,790 S * 4/2017 Marsh D8/349
- D831,848 S * 10/2018 Nguyen D8/382
- D929,211 S * 8/2021 Jackson D8/373

* cited by examiner

Primary Examiner — Richard Kearney
Assistant Examiner — Benjamin M Weeks
(74) *Attorney, Agent, or Firm* — Keri Ann K. S. Krzykowski; Martin E. Hsia

(57) **CLAIM**

The ornamental design for a brace, as shown and described.

DESCRIPTION

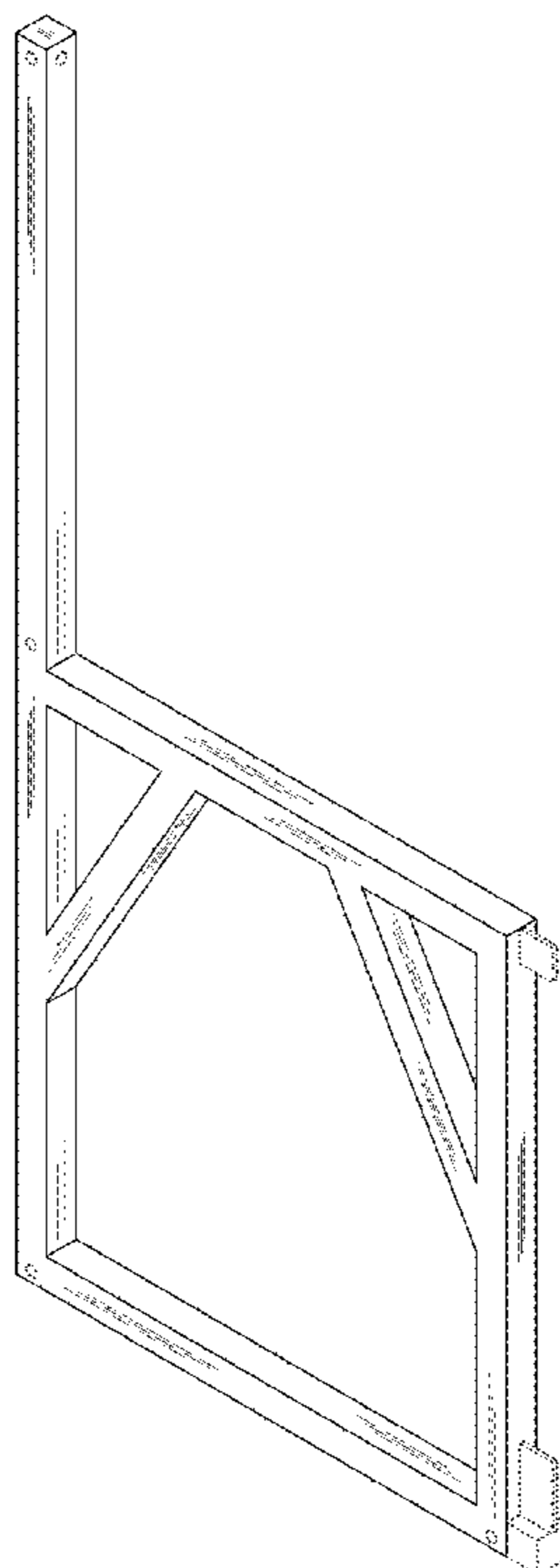
FIG. 1 is a perspective view from the front, top, left of a first embodiment of the brace of my new design; FIG. 2 is a top plan view thereof; FIG. 3 is a bottom plan view thereof; FIG. 4 is an elevational view thereof from the front; FIG. 5 is an elevational view thereof from the rear; FIG. 6 is an elevational view thereof from the left, the elevational view from the right being the mirror image; FIG. 7 is a perspective view from the front, top, left of a second embodiment of the brace of my new design; FIG. 8 is a top plan view thereof; FIG. 9 is a bottom plan view thereof; FIG. 10 is an elevational view thereof from the front; FIG. 11 is an elevational view thereof from the rear; and, FIG. 12 is an elevational view thereof from the left, the elevational view from the right being the mirror image. The broken lines shown in FIGS. 1-6 illustrate portions of the brace and form no part of the claimed design.

1 Claim, 8 Drawing Sheets

(56) **References Cited**

U.S. PATENT DOCUMENTS

- 593,774 A * 11/1897 Murry E04H 12/20 52/146
- D213,771 S * 4/1969 McBride D25/2
- 3,518,705 A * 7/1970 Cudney E04H 4/0018 52/169.8
- D253,910 S * 1/1980 Kaufmann D25/61
- D379,671 S * 6/1997 Stayner D25/132
- D390,670 S * 2/1998 Keating D25/133
- D470,948 S * 2/2003 Rumachik D25/61
- D596,315 S * 7/2009 Bateman D25/61
- D720,607 S * 1/2015 Kats D8/380



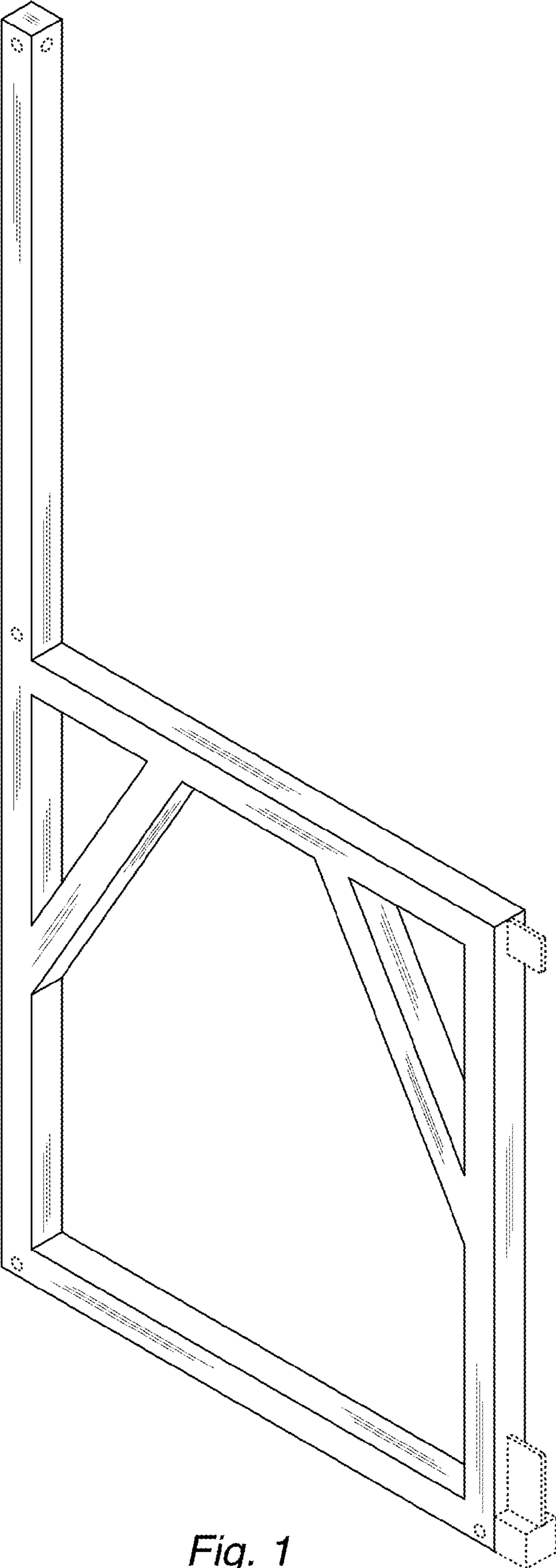


Fig. 1

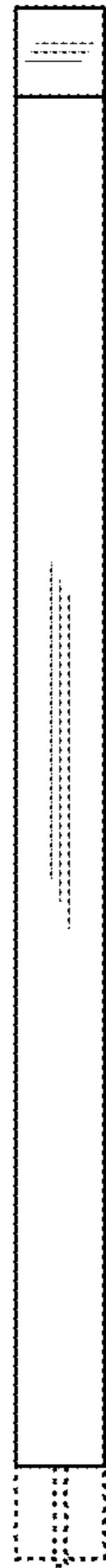


Fig. 2

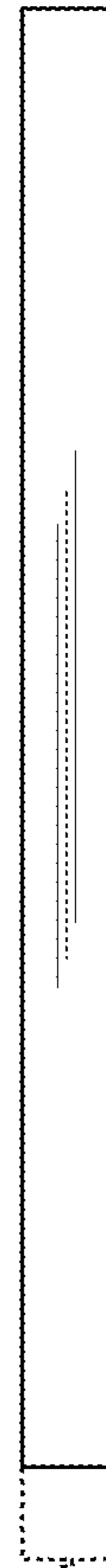


Fig. 3

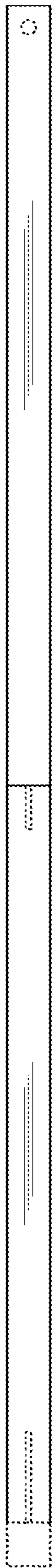


Fig. 4

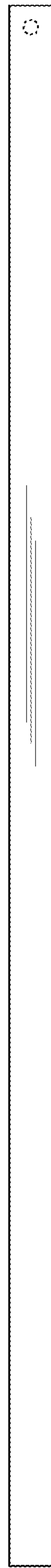


Fig. 5

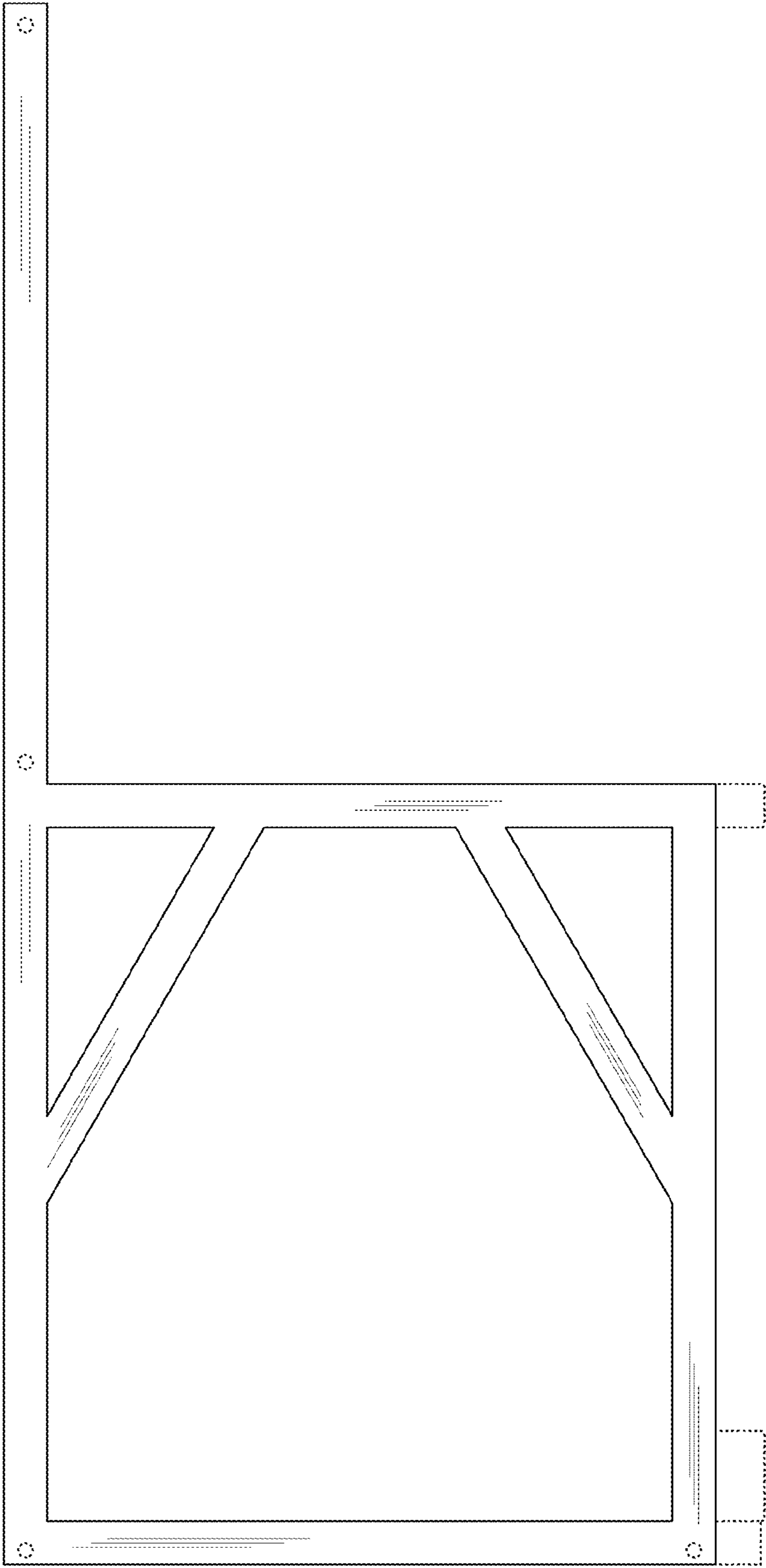


Fig. 6

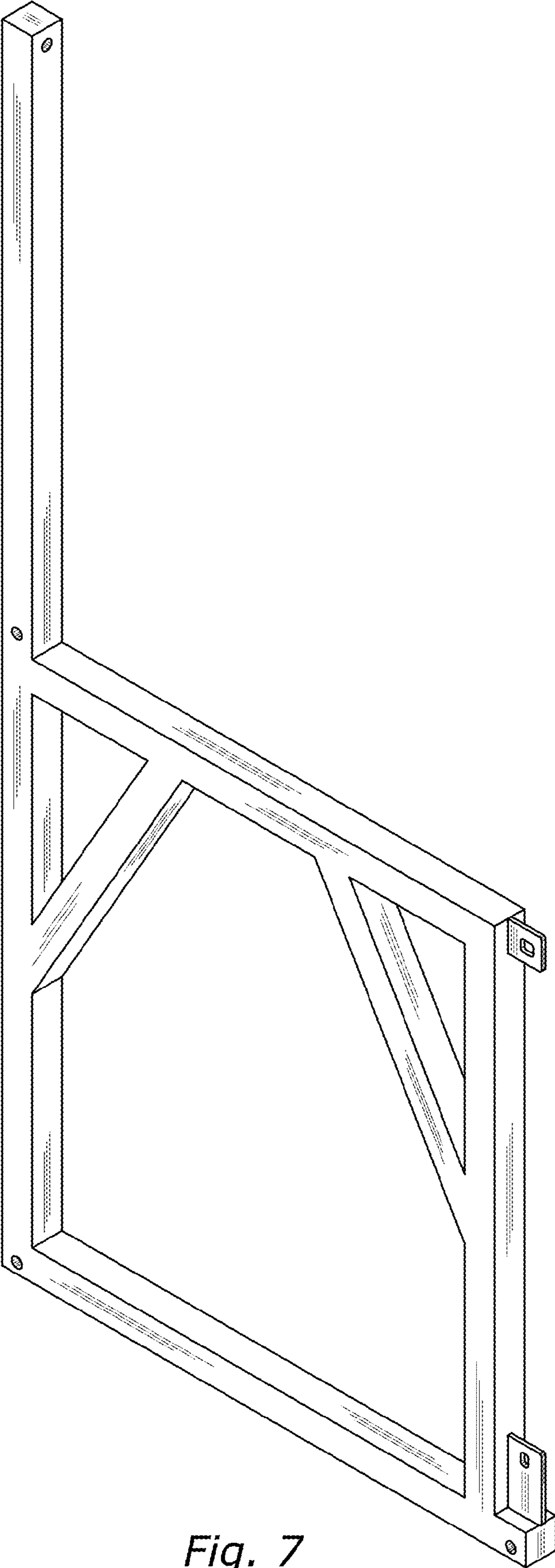


Fig. 7

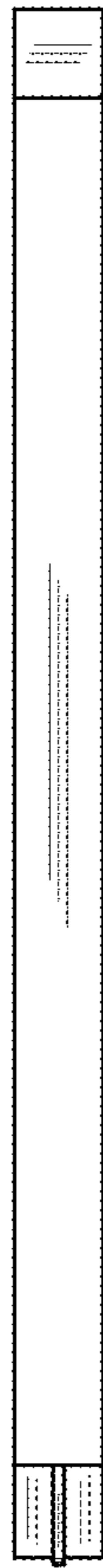


Fig. 8

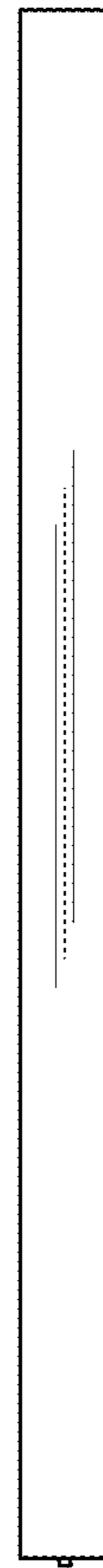


Fig. 9

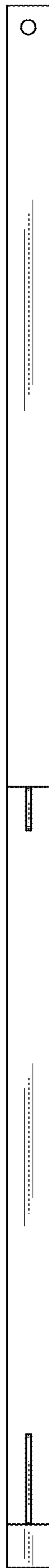


Fig. 10



Fig. 11

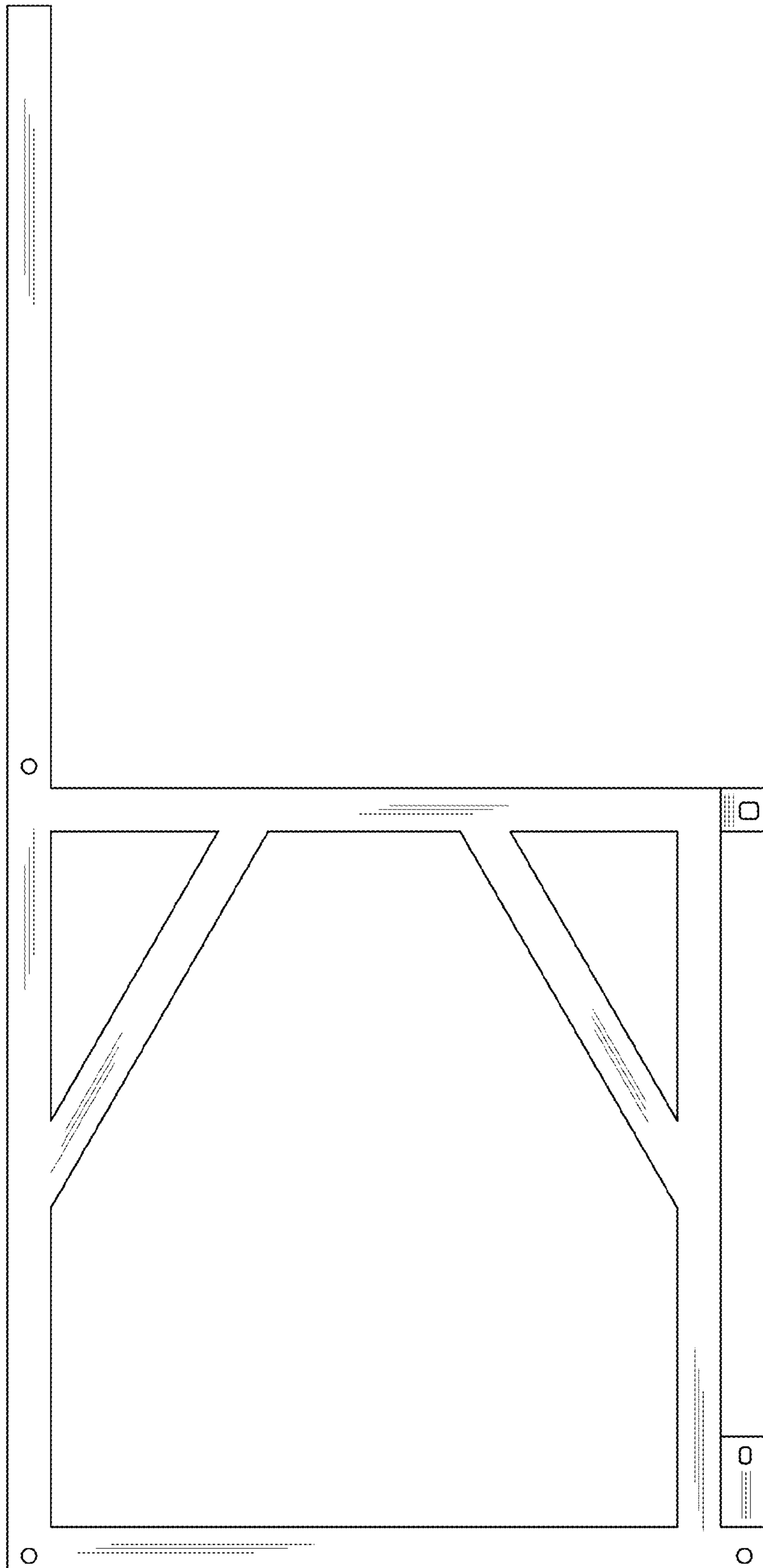


Fig. 12