



US00D956519S

(12) **United States Design Patent** (10) **Patent No.:** **US D956,519 S**  
**Bowie et al.** (45) **Date of Patent:** **\*\* Jul. 5, 2022**

(54) **T-SHAPED THREADED SPACER FOR A TILE LEVELING SYSTEM**

FOREIGN PATENT DOCUMENTS

AU 2015101927 \* 5/2019  
EM 003818756-0002 \* 4/2017

(71) Applicant: **Marshalltown Company**,  
Marshalltown, IA (US)

(Continued)

(72) Inventors: **Jim Bowie**, Marshalltown, IA (US);  
**Mark Fulmer**, Fayetteville, AR (US);  
**Noah Garwood**, Des Moines, IA (US);  
**John T. Hughes**, Fayetteville, AR (US);  
**John M. Reynolds**, Rogers, AR (US)

OTHER PUBLICATIONS

Spin Doctor Tile Leveling System: Announced [Jan. 8, 2018 online].  
Site Visited [Jun. 2, 2021, online]. Available from Internet URL:  
<https://www.amazon.com/Doctor-Leveling-System-Inches-millimeter/dp/B078WC96MQ> (Year: 2018).\*

(Continued)

(73) Assignee: **Marshalltown Company**,  
Marshalltown, IA (US)

*Primary Examiner* — Leanne Was-Englehart  
(74) *Attorney, Agent, or Firm* — Stinson LLP

(\*\*) Term: **15 Years**

(57) **CLAIM**

(21) Appl. No.: **29/711,008**

The ornamental design for a T-shaped threaded spacer for a tile leveling system, as shown and described.

(22) Filed: **Oct. 28, 2019**

**DESCRIPTION**

(51) **LOC (13) Cl.** ..... **08-08**

(52) **U.S. Cl.**  
USPC ..... **D8/354**

(58) **Field of Classification Search**  
USPC ..... D8/51, 353, 354, 355, 359, 393, 105;  
D10/64  
CPC ..... E04F 21/0092; E04F 21/00; E04F 21/20;  
E04F 21/1877; E04F 21/18; E04F  
13/0892; E04F 15/02022; E04F 15/08;  
E04F 13/10

FIG. 1 is a perspective of a T-shaped threaded spacer for tile leveling system, with a threaded portion of the T-shaped threaded spacer;  
FIG. 2 is a front elevational view of the T-shaped threaded spacer for a tile leveling system;  
FIG. 3 is a right elevational view of the T-shaped threaded spacer for a tile leveling system;  
FIG. 4 is a top plan view of the T-shaped threaded spacer for a tile leveling system;  
FIG. 5 is a rear elevational view of the T-shaped threaded spacer for a tile leveling system;  
FIG. 6 is a left elevational view of the T-shaped threaded spacer for a tile leveling system; and,  
FIG. 7 is a bottom plan view of the T-shaped threaded spacer for a tile leveling system.

See application file for complete search history.

The broken away symbols in the drawings indicate that any portion of the article beyond what is shown forms no part of the claimed design.

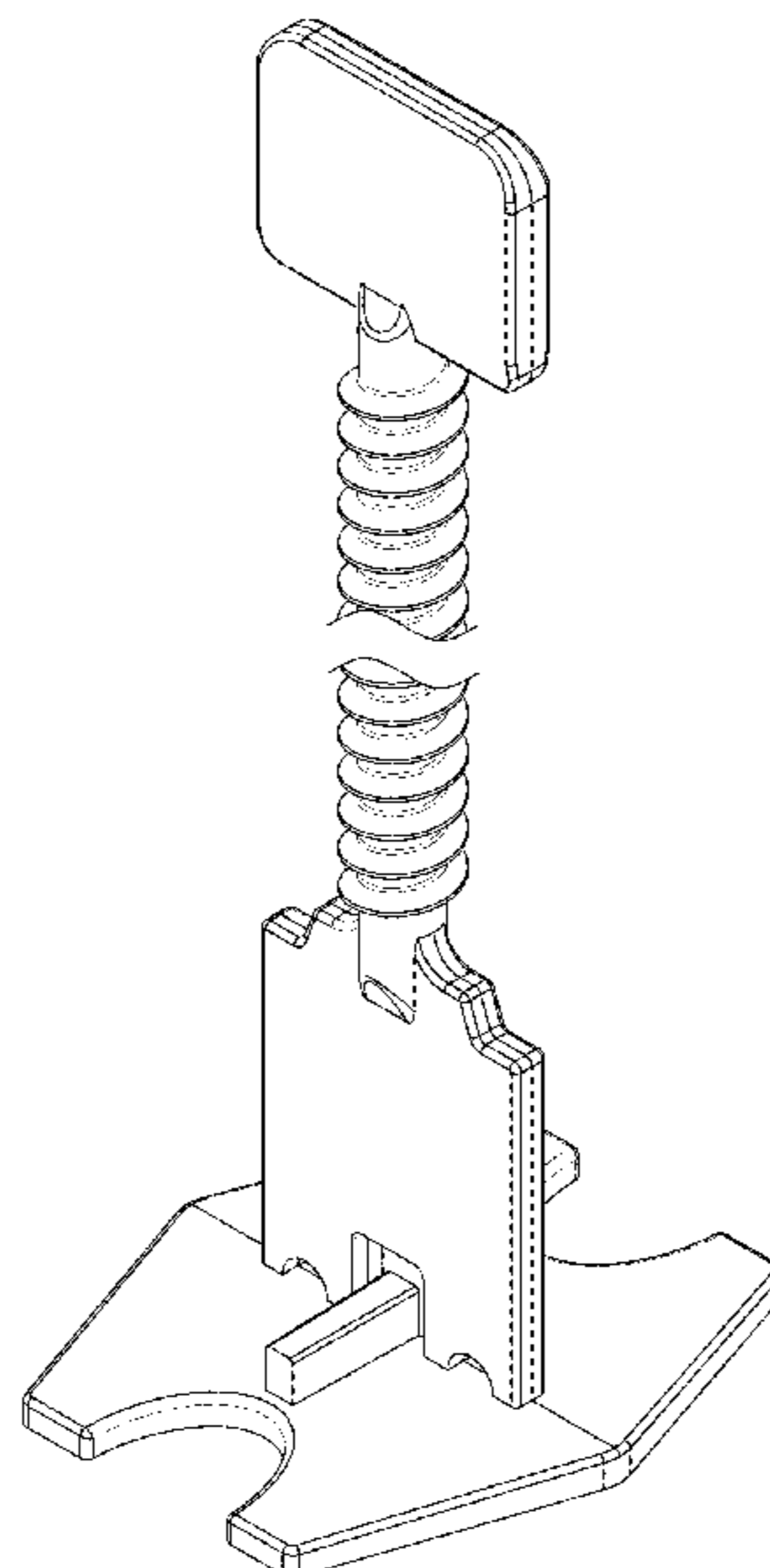
(56) **References Cited**

U.S. PATENT DOCUMENTS

4,397,125 A 8/1983 Gussler, Jr.  
5,056,199 A \* 10/1991 Stein ..... F16B 5/126  
24/682.1

(Continued)

**1 Claim, 7 Drawing Sheets**



(56)

References Cited

U.S. PATENT DOCUMENTS

7,257,926 B1 \* 8/2007 Kirby ..... E04F 21/0092  
33/526

7,621,100 B2 11/2009 Kufner et al.  
D630,077 S \* 1/2011 Kufner ..... D8/105  
D630,078 S \* 1/2011 Kufner ..... E04F 21/0092  
D8/105

7,861,487 B2 1/2011 Kufner et al.  
7,946,093 B1 \* 5/2011 Sturino ..... E04F 21/0092  
52/749.11

D640,119 S \* 6/2011 Kufner ..... E04F 21/0092  
D8/105

7,992,354 B2 8/2011 Doda, Jr.  
D658,963 S \* 5/2012 Kufner ..... D8/105  
8,181,420 B2 \* 5/2012 Torrents I Comas .....  
E04F 21/0092  
52/749.11

8,429,878 B1 4/2013 Hoffman et al.  
8,429,879 B1 4/2013 Hoffman et al.  
8,635,815 B2 1/2014 Bordin  
8,820,031 B2 8/2014 Kufner et al.  
9,010,064 B1 4/2015 Farahmandpour  
D734,119 S \* 7/2015 Kufner ..... D8/105  
D742,719 S 11/2015 Komura  
9,279,259 B1 3/2016 Russo  
9,322,185 B1 4/2016 Russo  
9,322,186 B1 4/2016 Chang  
9,328,522 B2 5/2016 Bordin  
9,470,002 B2 10/2016 Irvine et al.  
9,482,018 B2 11/2016 Torrents I Comas  
9,482,019 B2 11/2016 Fontana  
D775,935 S 1/2017 Sarajian  
D778,709 S 2/2017 Russo  
9,562,365 B2 2/2017 Bucsa  
9,874,032 B1 \* 1/2018 Chen ..... E04F 21/0092  
D817,140 S 5/2018 Mouthaan  
9,982,442 B2 5/2018 Kufner et al.  
10,053,872 B2 8/2018 Sighinolfi  
D834,922 S 12/2018 Russo  
10,161,145 B2 12/2018 Lazaro Florensa  
D837,016 S \* 1/2019 Psaila ..... E04F 21/0092  
D8/71

D845,100 S 4/2019 Gonzalez  
D856,104 S 8/2019 Dahill  
D856,105 S 8/2019 Dahill  
D856,106 S 8/2019 Dahill  
D856,107 S 8/2019 Dahill  
D856,111 S \* 8/2019 Russo ..... D8/105  
D856,772 S 8/2019 Dahill  
D856,773 S 8/2019 Dahill  
D857,473 S 8/2019 Dahill  
D858,241 S 9/2019 Dahill  
D862,204 S 10/2019 Russo  
D867,844 S 11/2019 Dahill  
10,538,925 B2 1/2020 Ghelfi  
10,577,813 B2 \* 3/2020 Dahill ..... E04F 15/02022  
10,604,945 B2 \* 3/2020 Volponi ..... E04F 21/0092

D880,267 S 4/2020 Dahill  
D885,862 S 6/2020 Bacia  
D896,289 S 9/2020 Wachsmann  
D899,900 S \* 10/2020 Blanco ..... D8/354  
D906,385 S 12/2020 Buhr  
10,895,081 B2 1/2021 Mendiluza  
10,947,740 B2 \* 3/2021 Sighinolfi ..... E04F 15/02022  
11,002,025 B2 \* 5/2021 Sighinolfi ..... E04F 15/02476  
D932,272 S 10/2021 Burke  
2002/0121027 A1 \* 9/2002 Kruskamp ..... E04F 21/0092  
33/526

2003/0036762 A1 \* 2/2003 Kerr ..... A61B 17/8822  
606/93

2009/0126213 A1 \* 5/2009 Tavy ..... E04F 21/0092  
33/527

2013/0067854 A1 \* 3/2013 Bordin ..... E04F 15/02022  
52/749.11

2014/0033641 A1 2/2014 Trevisi  
2015/0184355 A1 \* 7/2015 Wang ..... E04F 21/1822  
52/126.1

2015/0211243 A1 7/2015 Irvine  
2015/0240504 A1 8/2015 Hoffman  
2015/0267420 A1 \* 9/2015 Fontana ..... E04F 21/22  
52/126.1

2015/0354231 A1 \* 12/2015 Bordin ..... E04F 21/0092  
52/126.6

2017/0044779 A1 \* 2/2017 Teng ..... E04F 21/22  
2017/0211282 A1 \* 7/2017 Teng ..... E04F 21/20  
2018/0291640 A1 \* 10/2018 Sighinolfi ..... E04F 21/20  
2019/0271167 A1 \* 9/2019 Ghelfi ..... E04F 21/1844  
2020/0149295 A1 \* 5/2020 Mendiluza ..... E04F 21/20  
2020/0240154 A1 \* 7/2020 Nudo ..... E04F 21/0092  
2021/0032883 A1 \* 2/2021 Byer ..... E04F 13/02  
2021/0108664 A1 \* 4/2021 Hebert ..... F16B 39/284

FOREIGN PATENT DOCUMENTS

EM 007816905-0003 \* 6/2020  
EM 007816905-0004 6/2020  
TW 201433680 \* 2/2013  
WO WO 2013023236 \* 5/2012

OTHER PUBLICATIONS

Marshalltown FASTcap Tiling Leveling System: Announced [Mar. 23, 2021, online]. Site Visited [Jun. 2, 2021, online]. Available from Internet URL: <https://www.amazon.com/MARSHALLTOWN-FASTcap-Tiling-Leveling-System/dp/B08ZVNNY7X> (Year: 2021).  
Marshalltown FASTcapTA° Ratchet Caps, Date Visited: Dec. 1, 2021, Marshall Town, Date Available: Dec. 1, 2021, <https://marshalltown.com/pro-3661-fastcap-ratchet-caps?variantId=29237> (Year: 2021).  
Marshalltown FASTcap Tiling Leveling System, Date Visited: Dec. 1, 2021, Amazon, Date Available: Mar. 23, 2021, <https://www.amazon.com/MARSHALLTOWN-FASTcap-Leveling-Ratchet-Standard/dp/B08ZP5Y7TD> (Year: 2021).

\* cited by examiner

FIG. 1

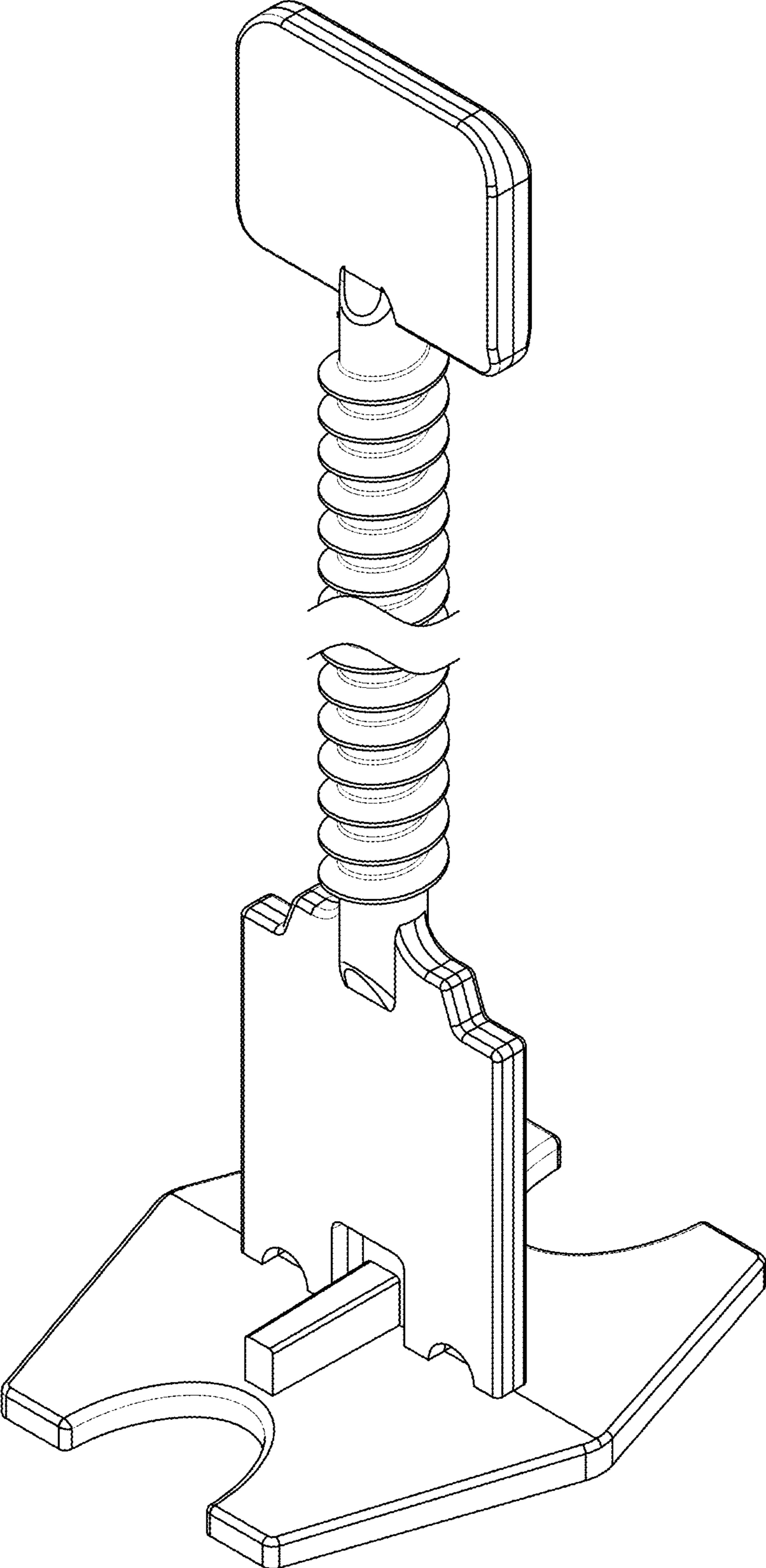


FIG. 2

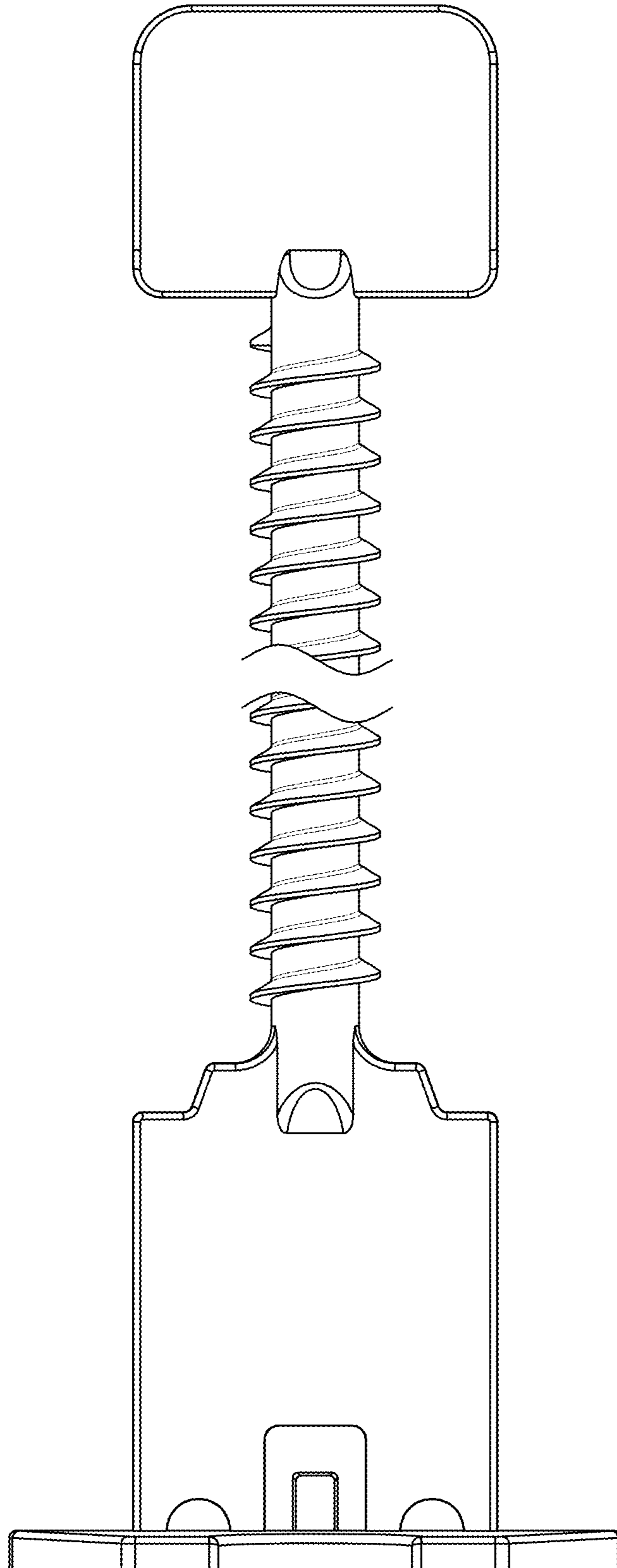


FIG. 3

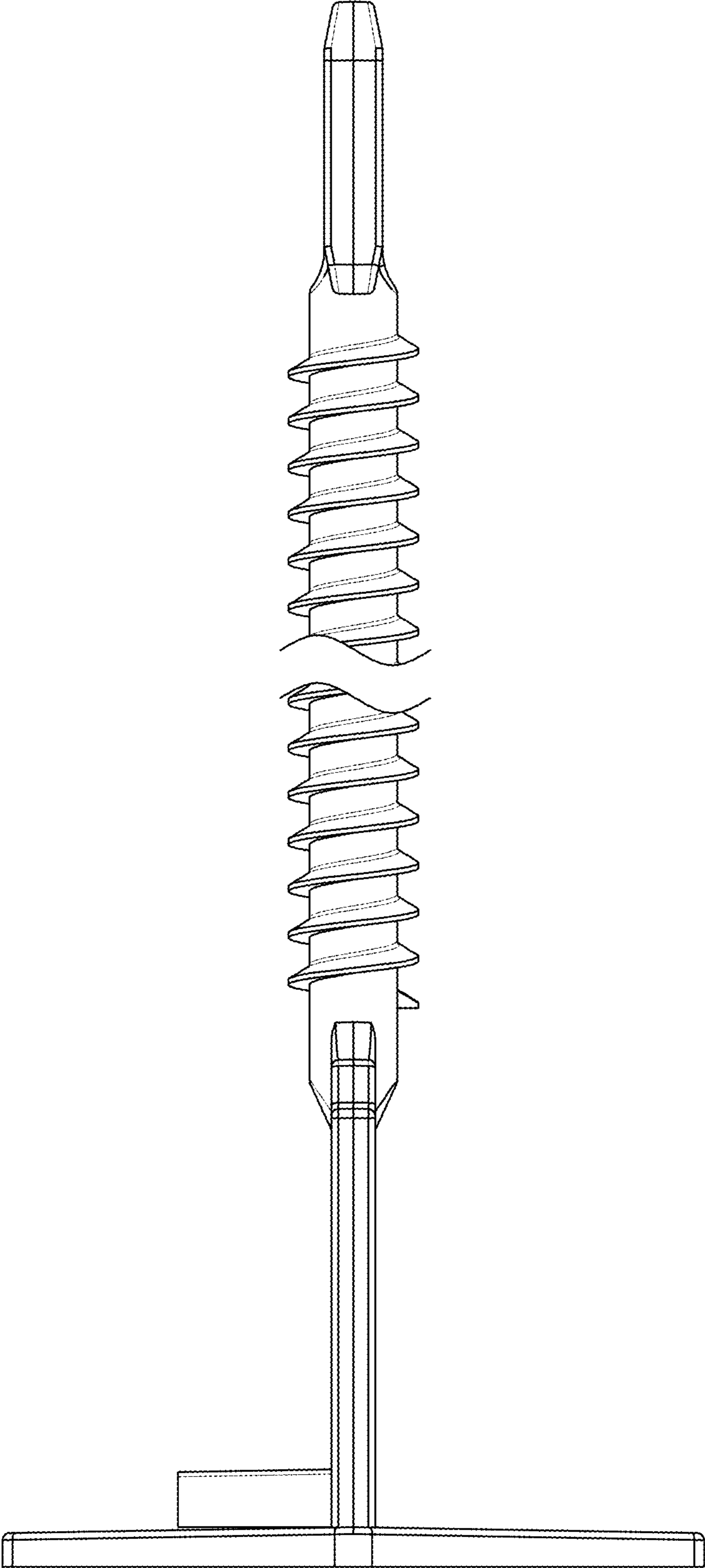


FIG. 4

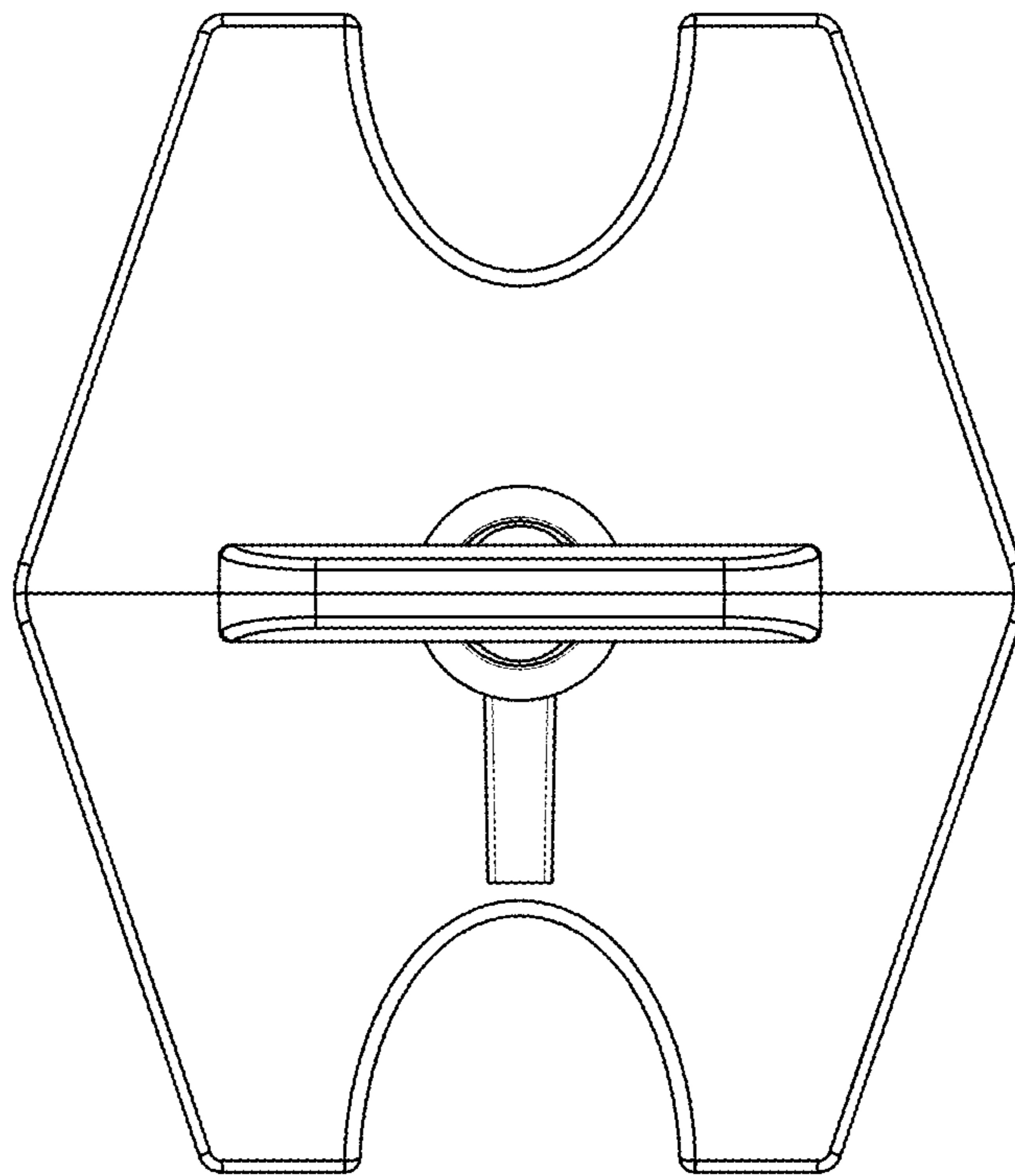


FIG. 5

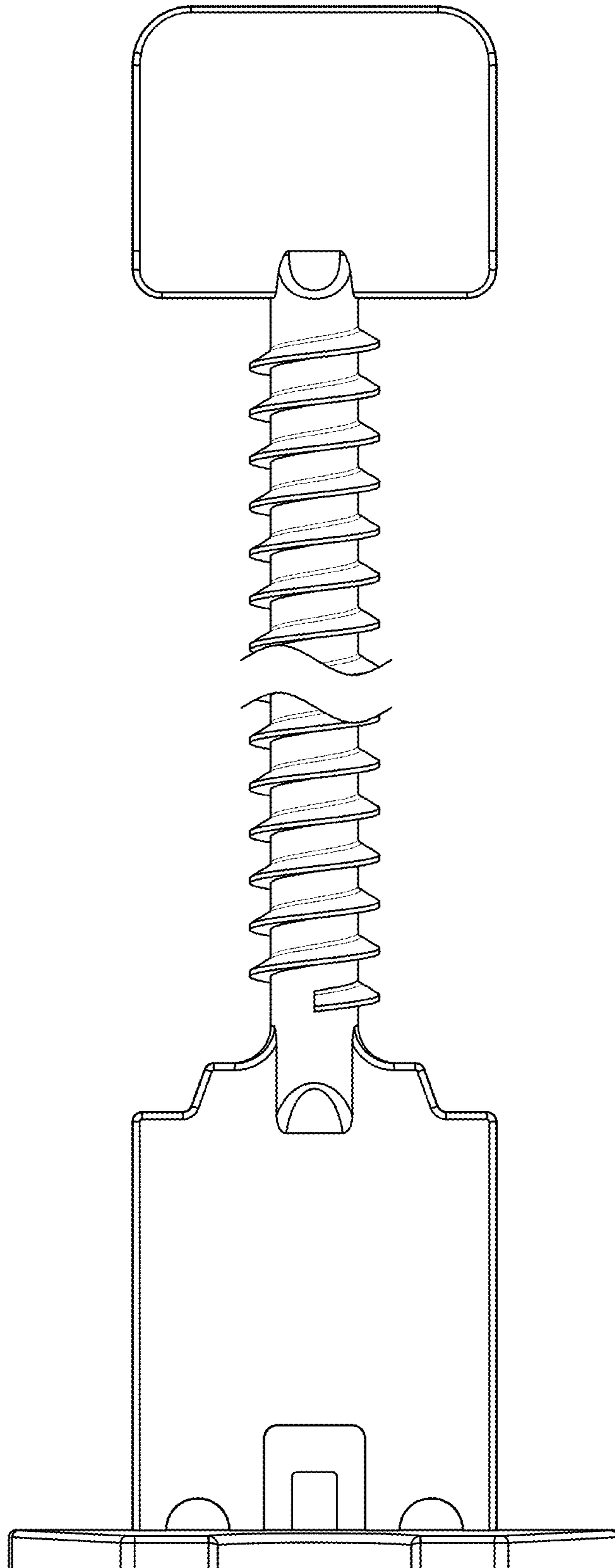


FIG. 6

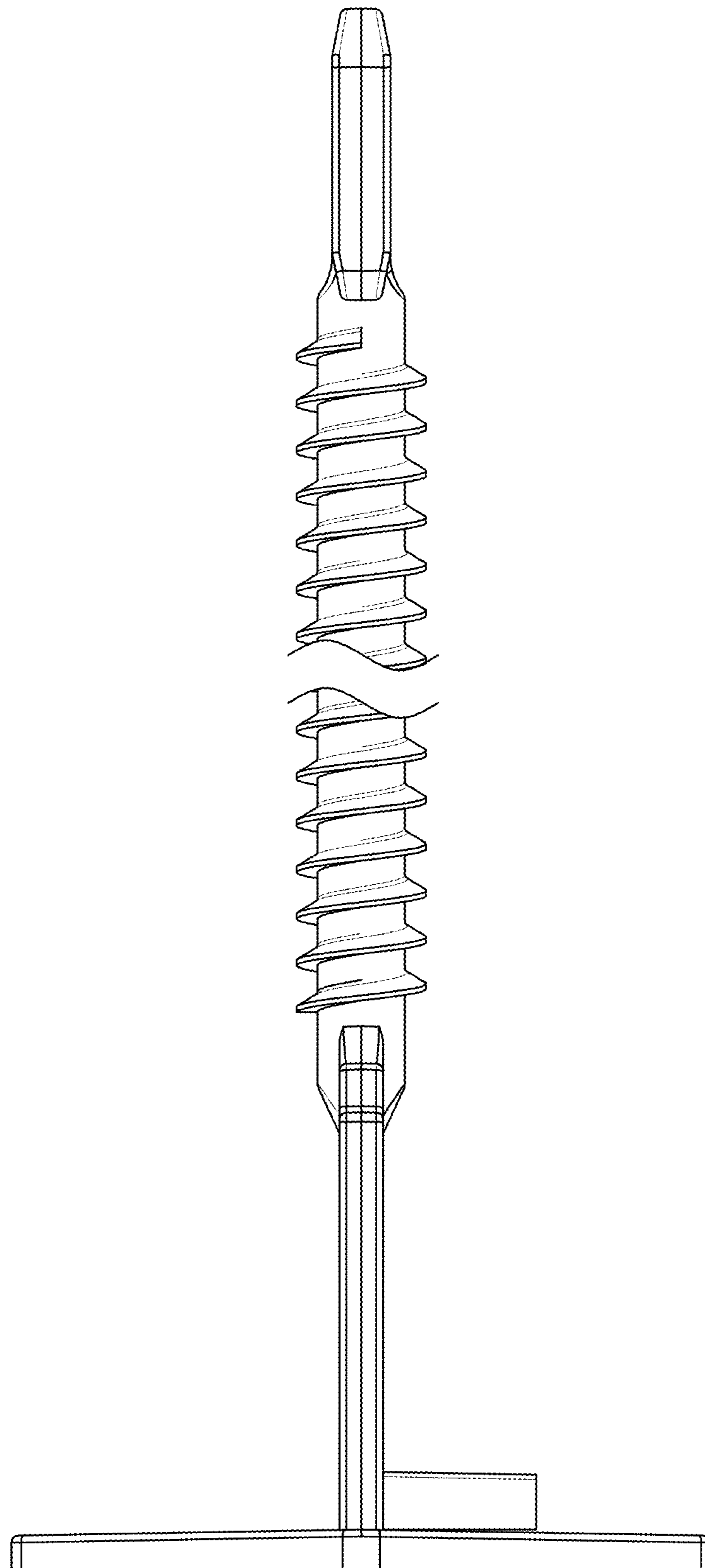




FIG. 7

