



US00D956518S

(12) **United States Design Patent**
Dufelmeier et al.

(10) **Patent No.:** **US D956,518 S**
(45) **Date of Patent:** **** Jul. 5, 2022**

(54) **HYGIENE KEY**

(71) Applicant: **FELLOWES INC.**, Itasca, IL (US)

(72) Inventors: **John Dufelmeier**, Chicago, IL (US);
Xiao Guang Wang, Schaumburg, IL (US)

(73) Assignee: **Fellowes Inc.**, Itasca, IL (US)

(**) Term: **15 Years**

(21) Appl. No.: **29/740,371**

(22) Filed: **Jul. 2, 2020**

(51) **LOC (13) Cl.** **08-07**

(52) **U.S. Cl.**
USPC **D8/347**

(58) **Field of Classification Search**
USPC D8/347
CPC .. E05B 19/0076; E05B 19/20; E05B 19/0029;
E05B 19/24; E05B 19/0017; E05B
19/0052; E05B 19/0088; E05B 19/04;
E05B 19/043; E05B 19/046; Y10T
70/7486; Y10T 70/7441; Y10T 70/7876;
G07C 9/00944; G07C 2009/00992
See application file for complete search history.

(56) **References Cited**

U.S. PATENT DOCUMENTS

3,499,304 A * 3/1970 Naujoks E05B 27/0053
70/406
D529,370 S * 10/2006 Parsons D8/347

D602,340 S * 10/2009 Wurdack D8/347
D680,417 S * 4/2013 Crepinsek D8/347
2006/0028807 A1 * 2/2006 Vigil E05B 19/20
362/120
2014/0373581 A1 * 12/2014 Uljens E05B 29/0013
70/357

* cited by examiner

Primary Examiner — Doris Clark

(74) *Attorney, Agent, or Firm* — Wood, Phillips, Katz,
Clark & Mortimer

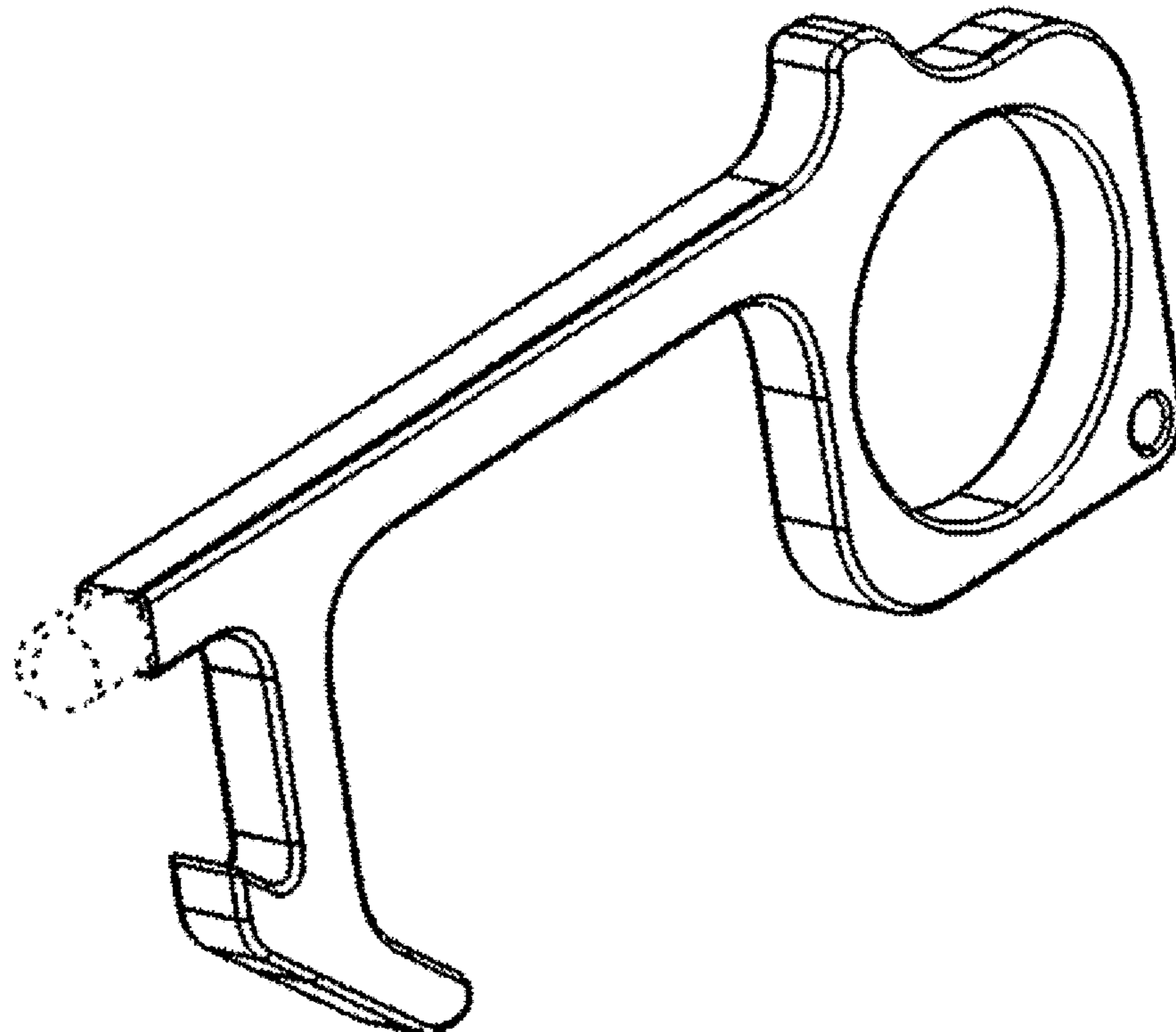
(57) **CLAIM**

The ornamental design for a hygiene key, as shown and described.

DESCRIPTION

FIG. 1 is a left top front perspective view of a hygiene key showing my new design;
FIG. 2 is a right bottom front perspective view thereof;
FIG. 3 is a front elevational view thereof;
FIG. 4 is a top plan view thereof;
FIG. 5 is a bottom plan view thereof;
FIG. 6 is a left side elevational view thereof; and,
FIG. 7 is a right side elevational view thereof.
The portions of the hygiene key shown in dotted lines do not constitute a part of the claimed design.

1 Claim, 2 Drawing Sheets



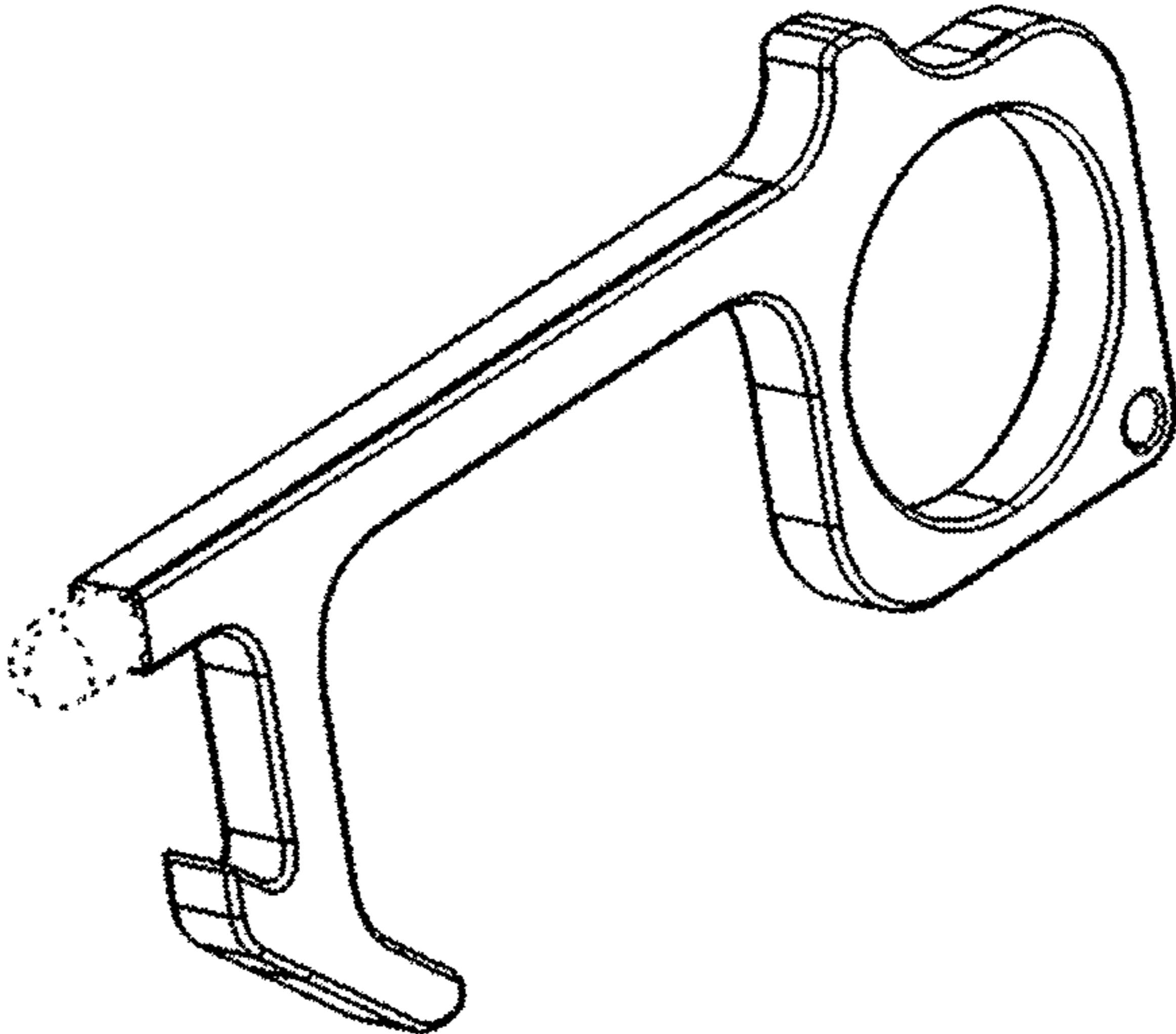


FIG. 1

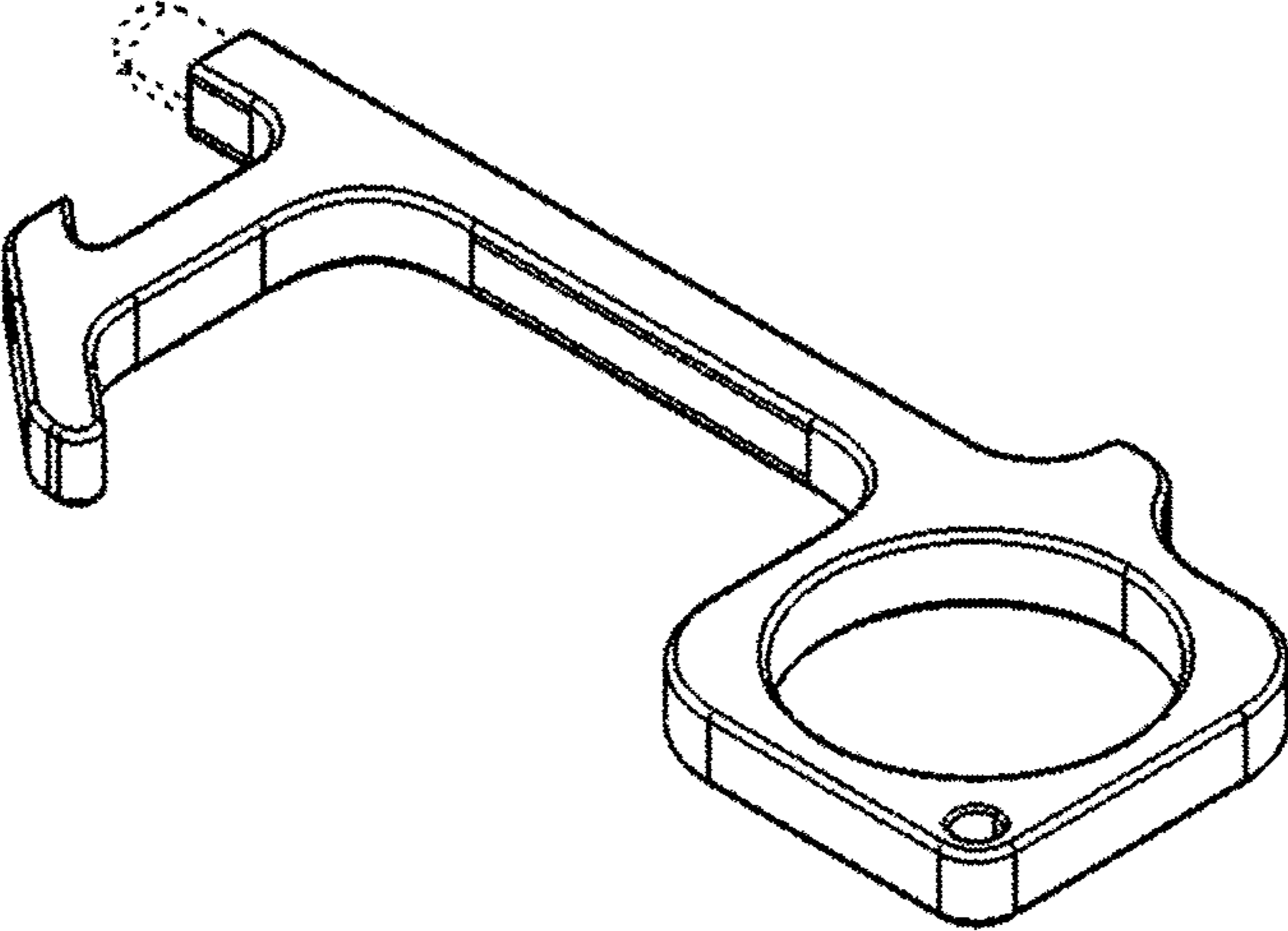


FIG. 2

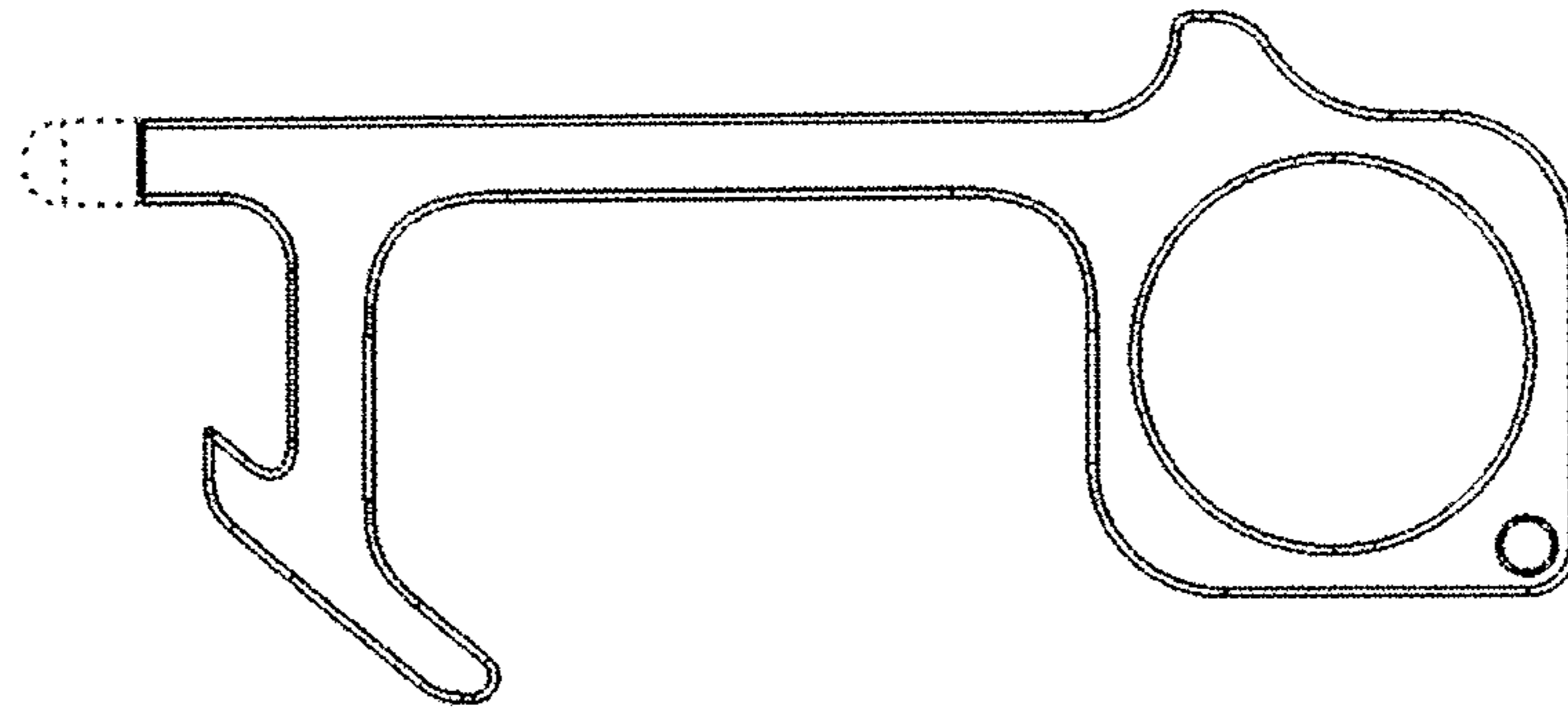


FIG. 3

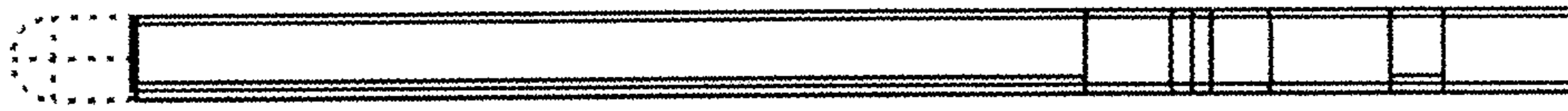


FIG. 4

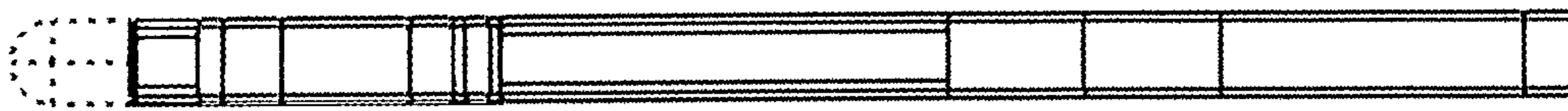


FIG. 5



FIG. 6



FIG. 7