



US00D956517S

(12) **United States Design Patent**
Sanders, II

(10) **Patent No.:** **US D956,517 S**

(45) **Date of Patent:** **** Jul. 5, 2022**

(54) **LOCK COVER**

(71) Applicant: **Joseph Leon Sanders, II**, Richmond,
UT (US)

(72) Inventor: **Joseph Leon Sanders, II**, Richmond,
UT (US)

(**) Term: **15 Years**

(21) Appl. No.: **29/744,984**

(22) Filed: **Aug. 3, 2020**

(51) **LOC (13) Cl.** **08-07**

(52) **U.S. Cl.**
USPC **D8/346**

(58) **Field of Classification Search**
USPC D8/346
CPC E05B 13/001; E05B 17/14; E05B 17/142;
E05B 17/145; Y10T 70/554
See application file for complete search history.

(56) **References Cited**

U.S. PATENT DOCUMENTS

- 4,226,104 A * 10/1980 Oliver E05B 13/001
70/423
- 4,884,424 A * 12/1989 Meyer E05B 17/142
70/427

- D454,051 S * 3/2002 Drake D8/346
- D569,226 S * 5/2008 Brewster D8/346
- 2003/0070456 A1* 4/2003 Zamberg E05B 13/001
70/208

* cited by examiner

Primary Examiner — Doris Clark

(74) *Attorney, Agent, or Firm* — Preston P. Frischknecht;
Project CIP

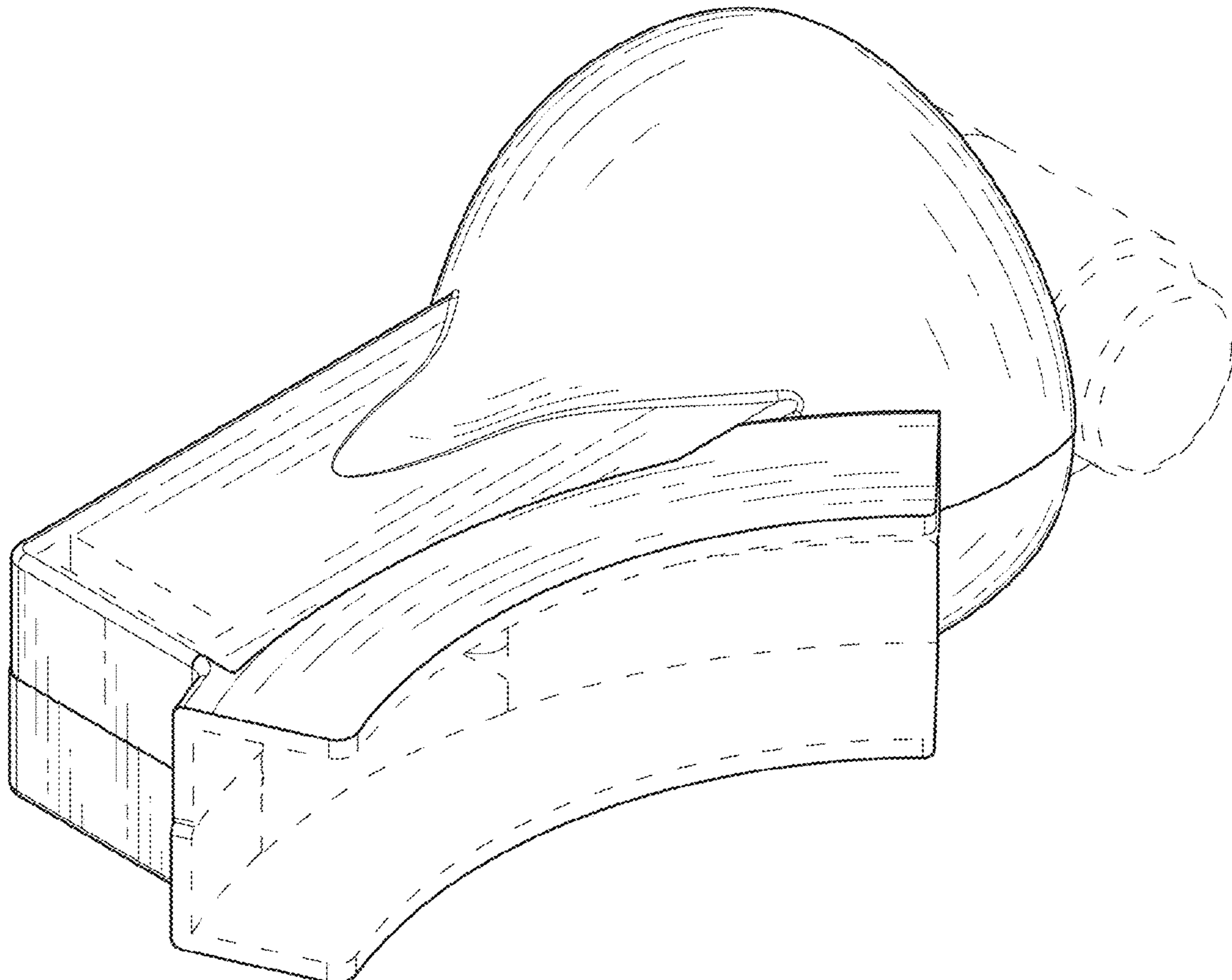
(57) **CLAIM**

The ornamental design for a lock cover, as shown and described.

DESCRIPTION

FIG. 1 is a first perspective view;
 FIG. 2 is a second perspective view;
 FIG. 3 is a first side view;
 FIG. 4 is a second side view;
 FIG. 5 is a bottom view;
 FIG. 6 is a top view;
 FIG. 7 is a back view;
 FIG. 8 is a front view; and
 FIG. 9 is an alternate position perspective view.
 The broken lines show lock cover environment for illustrative purposes and form no part of the claimed design.

1 Claim, 8 Drawing Sheets



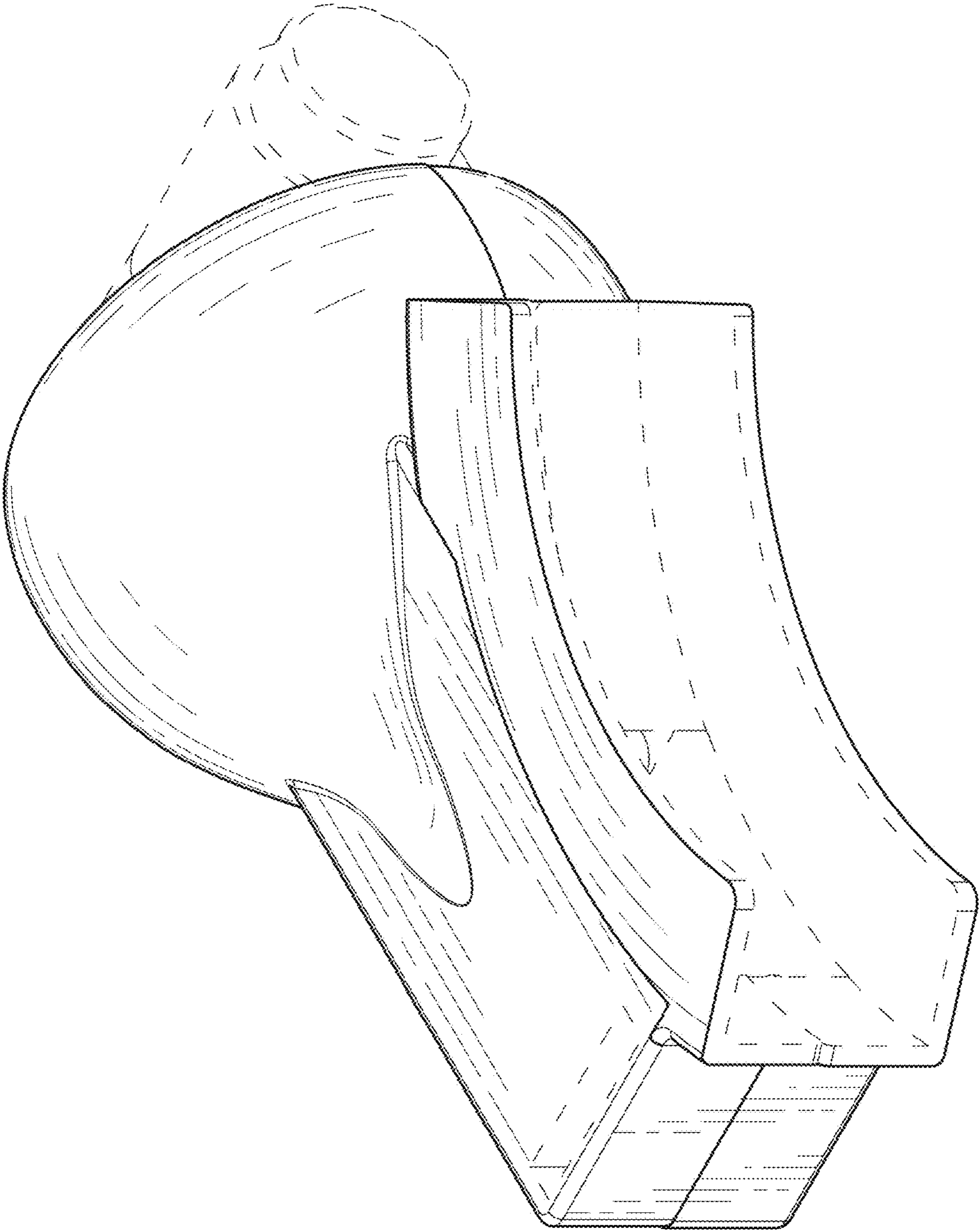


FIG. 1



FIG. 2

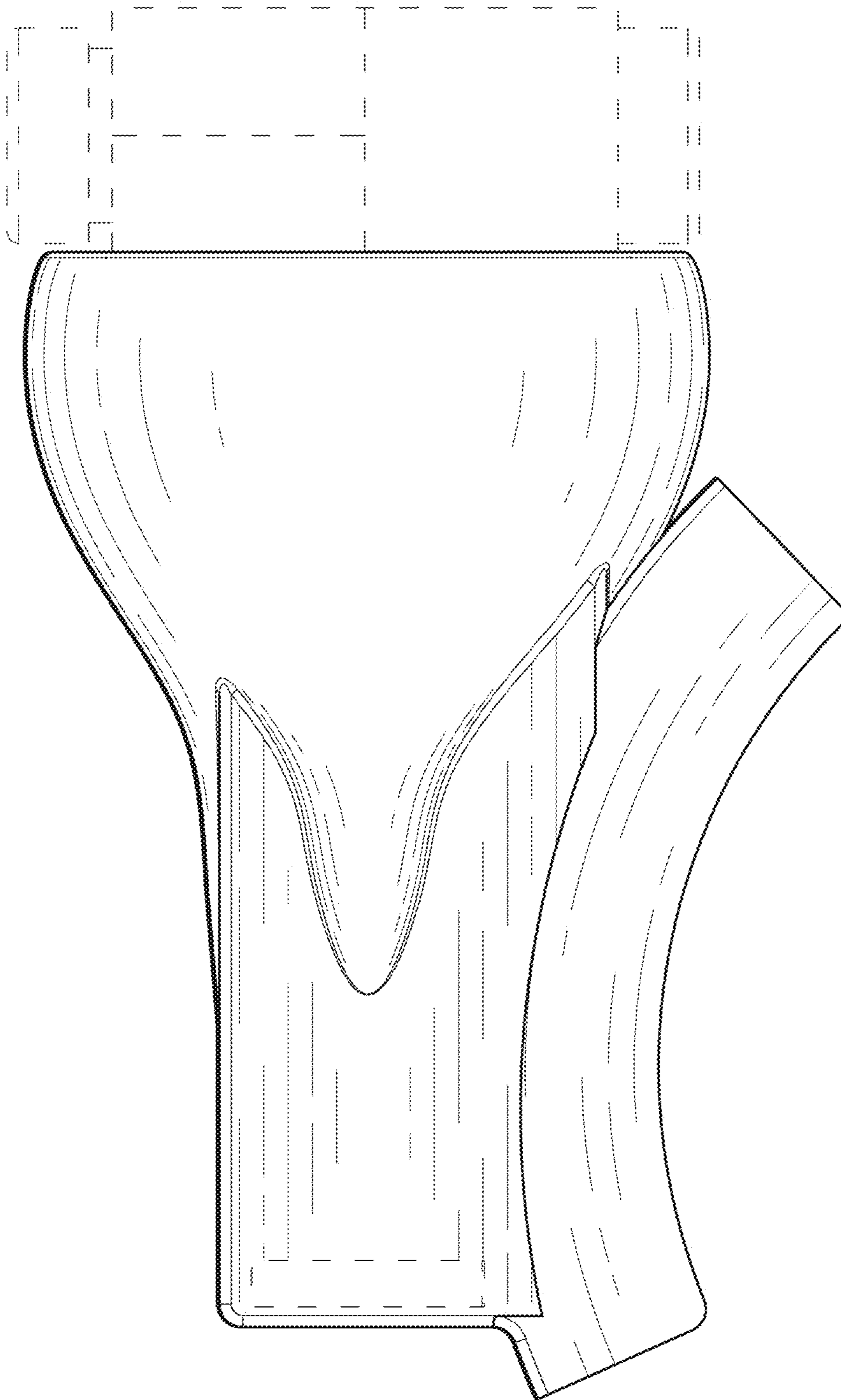


FIG. 3

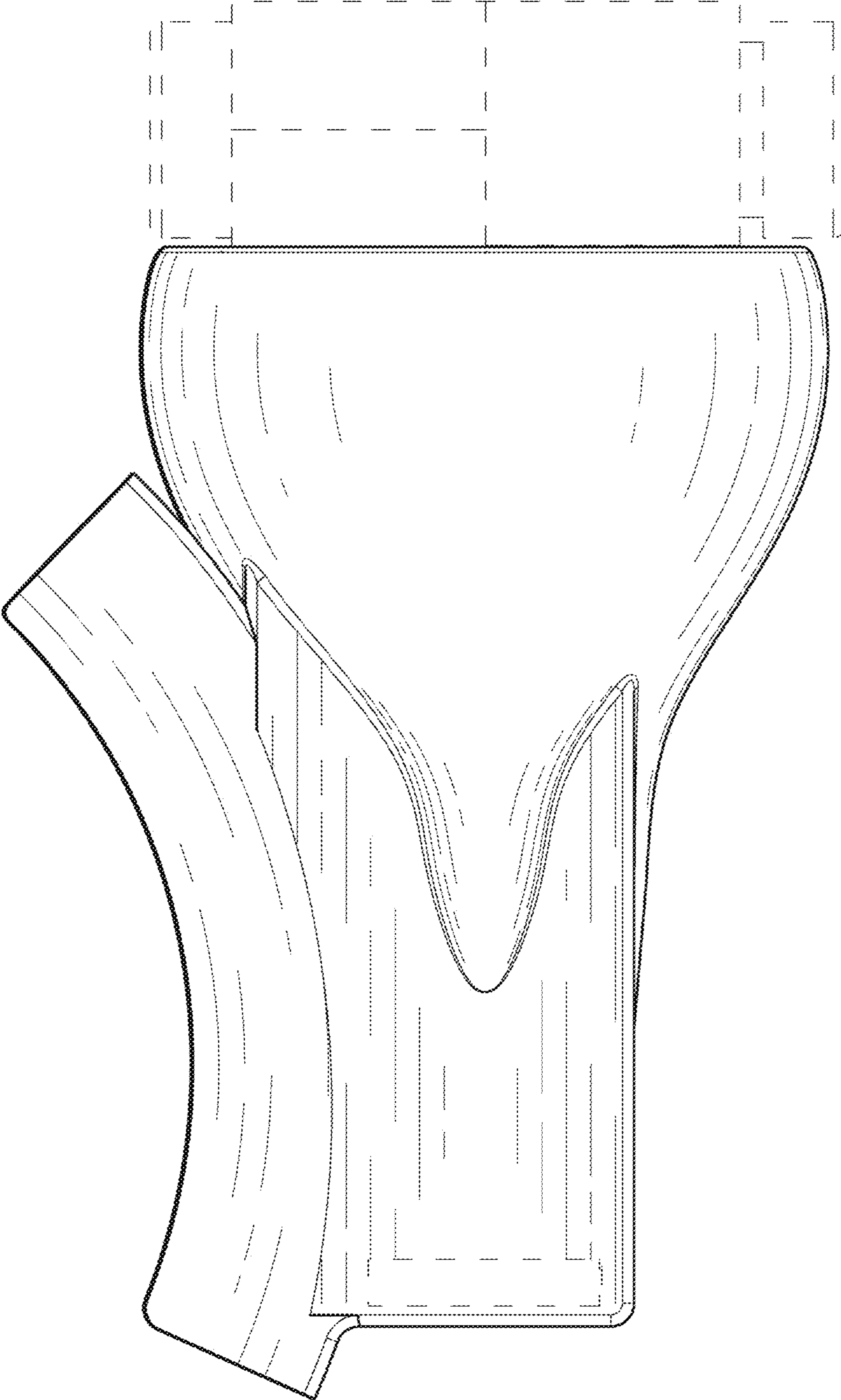


FIG. 4

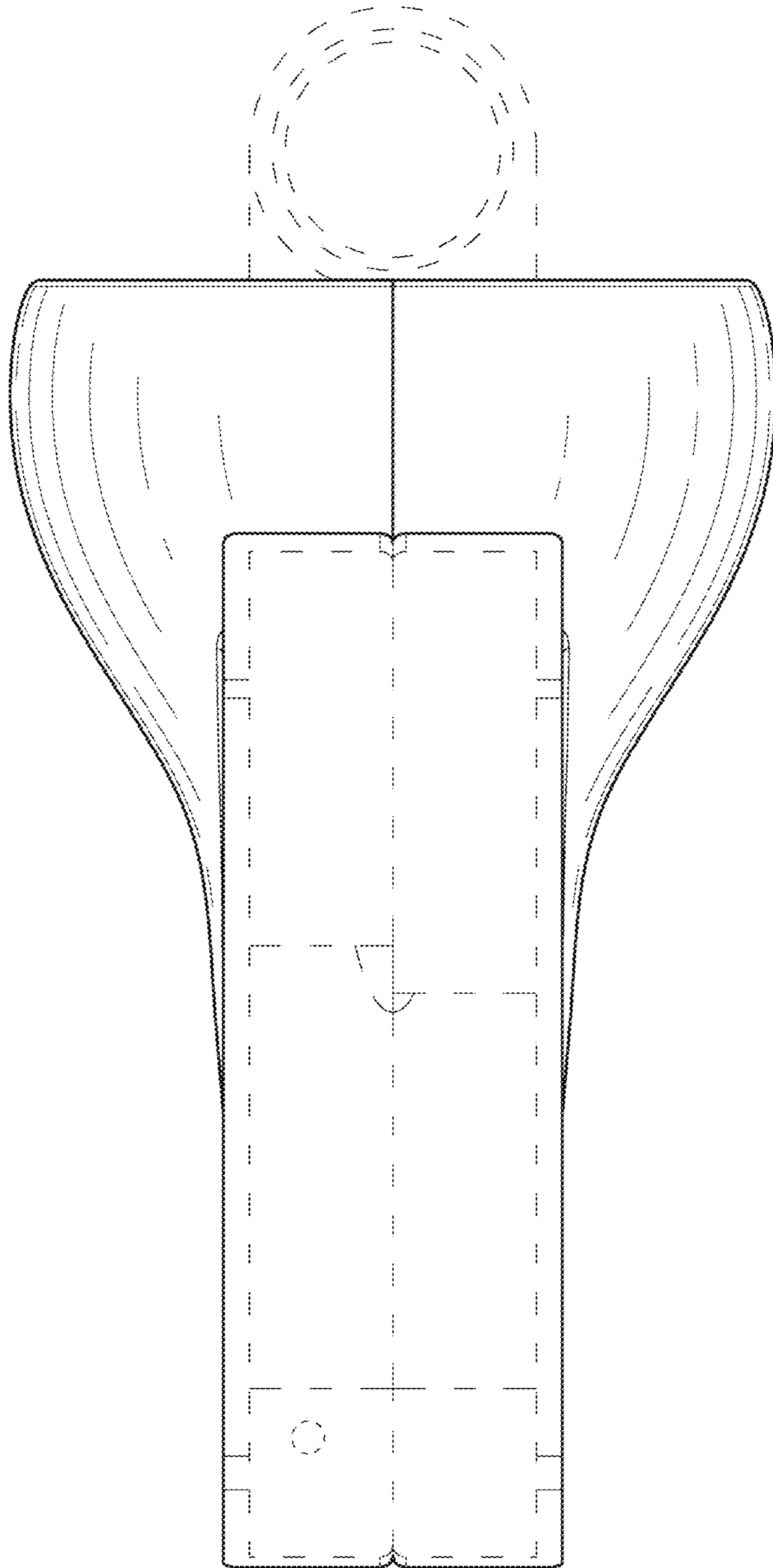


FIG. 5

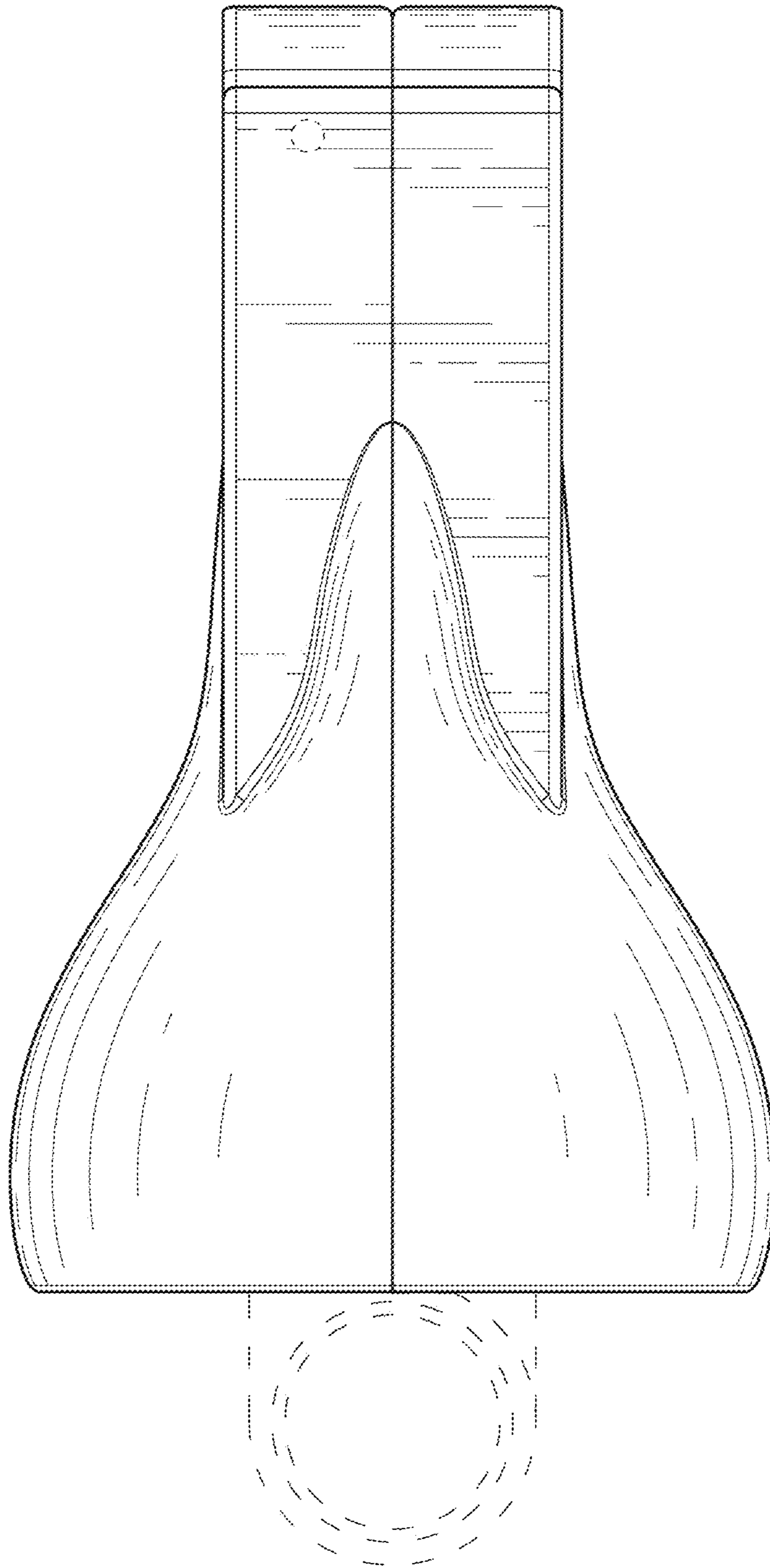


FIG. 6

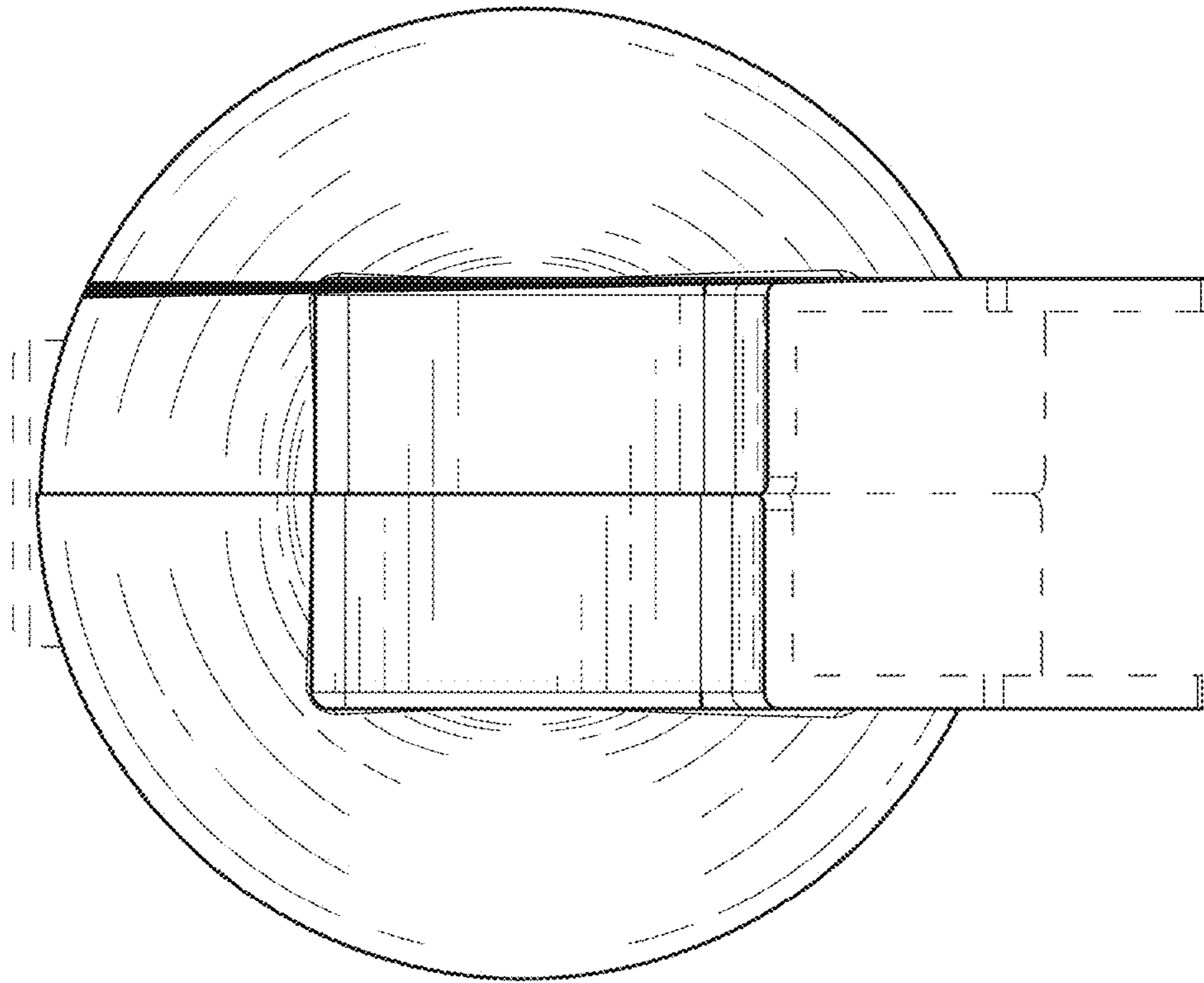


FIG. 7

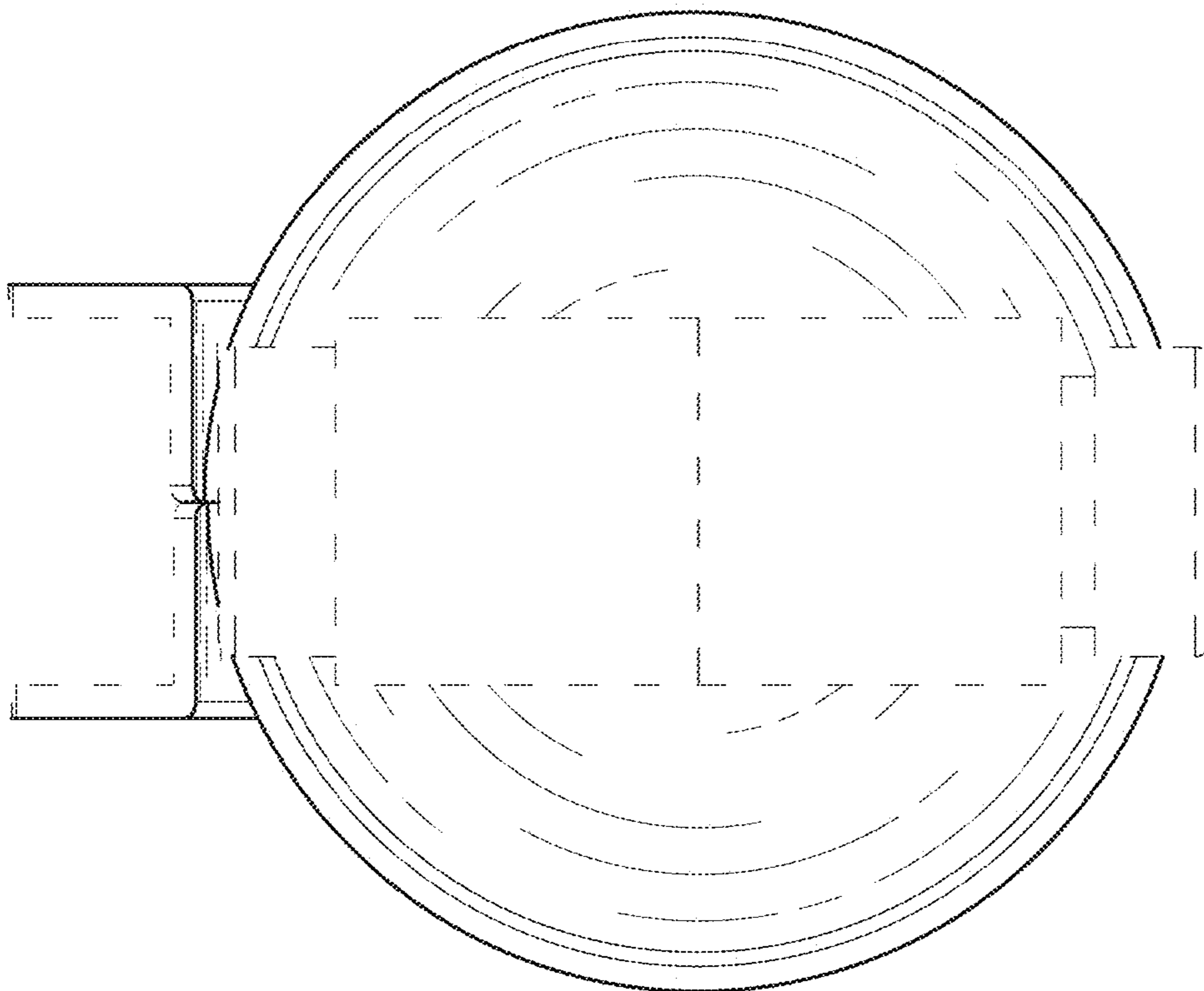


FIG. 8

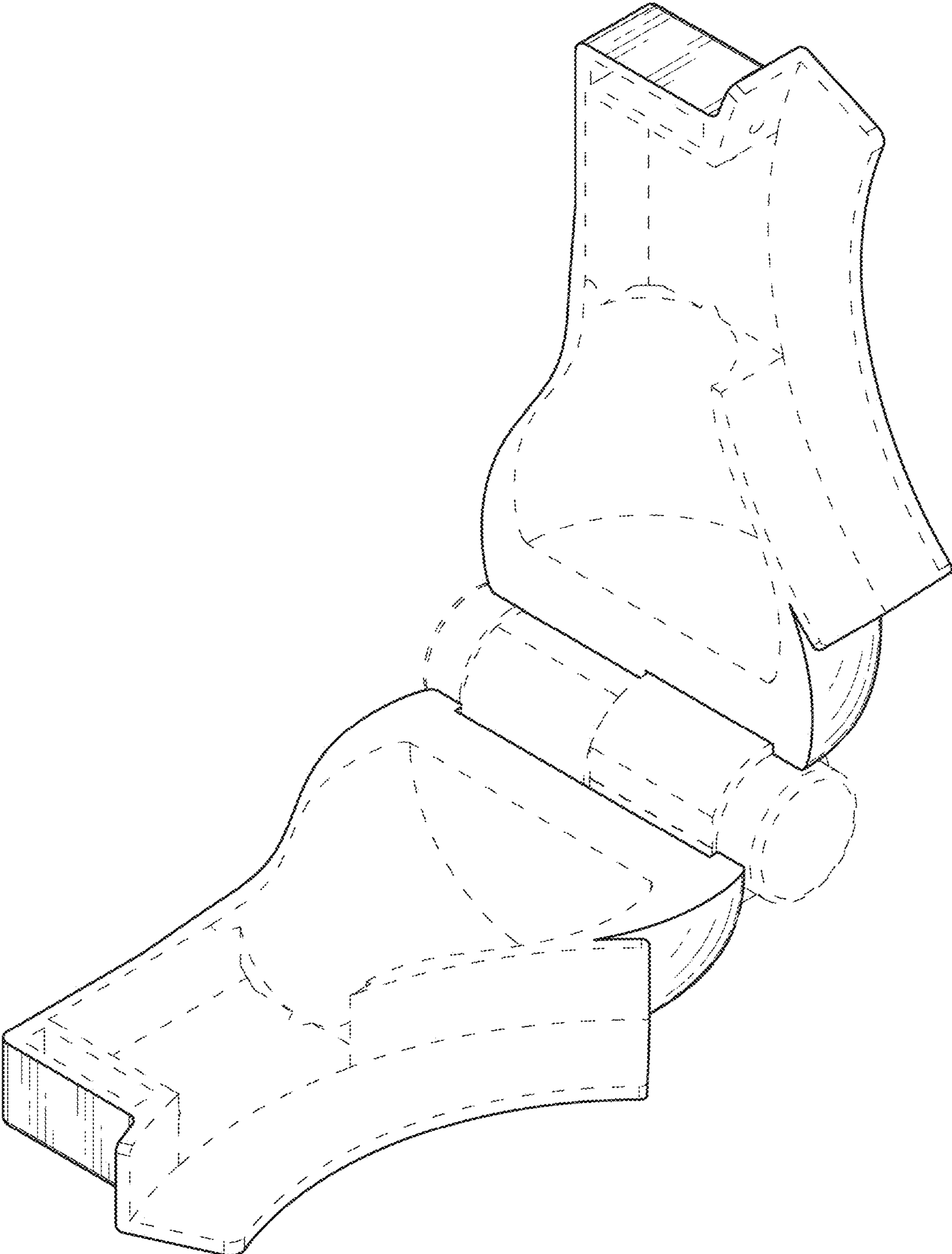


FIG. 9