



US00D956516S

(12) **United States Design Patent** (10) **Patent No.:** **US D956,516 S**
Molloy et al. (45) **Date of Patent:** **** Jul. 5, 2022**

(54) **WINDOW FASTENER**

FOREIGN PATENT DOCUMENTS

(71) Applicant: **ASSA ABLOY New Zealand Limited**,
North Shore (NZ)

CN 103422720 12/2013
WO WO 2008/118028 10/2008

(72) Inventors: **Bryce Alan Molloy**, Auckland (NZ);
Lewis Joseph Isaacson, Auckland (NZ)

OTHER PUBLICATIONS

International Search Report for International (PCT) Patent Appli-
cation No. PCT/NZ2018/050129, dated Jan. 16, 2019, 5 pages.

(73) Assignee: **ASSA ABLOY NEW ZEALAND**
LIMITED, North Shore (NZ)

(Continued)

(**) Term: **15 Years**

Primary Examiner — Lauren R Calve

(74) *Attorney, Agent, or Firm* — Sheridan Ross P.C.

(21) Appl. No.: **29/684,444**

(57) **CLAIM**

The ornamental design for a window fastener, as shown and
described.

(22) Filed: **Mar. 21, 2019**

DESCRIPTION

(30) **Foreign Application Priority Data**

Sep. 27, 2018 (NZ) 425024

(51) **LOC (13) Cl.** **08-07**

(52) **U.S. Cl.**
USPC **D8/337**

(58) **Field of Classification Search**
USPC D8/300–302, 307–309, 310, 311, 331,
D8/336, 337, 343, 400
CPC E05Y 2900/148; E05Y 2900/55; E05F
2700/04; E05F 11/00; E05C 17/443;
E05C 17/345; E05C 3/041
See application file for complete search history.

FIG. 1 is a top-left front isometric view of a window
fastener;
FIG. 2 is a top view of the window fastener of FIG. 1;
FIG. 3 is a top-right front isometric view of the window
fastener of FIG. 1;
FIG. 4 is a top-right rear isometric view of the window
fastener of FIG. 1;
FIG. 5 is a top-left rear isometric view of the window
fastener of FIG. 1;
FIG. 6 is a left view of the window fastener of FIG. 1;
FIG. 7 is a front view of the window fastener of FIG. 1;
FIG. 8 is a right view of the window fastener of FIG. 1;
FIG. 9 is a rear view of the window fastener of FIG. 1;
FIG. 10 is a bottom-left front isometric view of the window
fastener of FIG. 1;
FIG. 11 is a bottom view of the window fastener of FIG. 1;
FIG. 12 is a bottom-right rear isometric view of the window
fastener of FIG. 1;
FIG. 13 is a bottom-right front isometric view of the window
fastener of FIG. 1; and,
FIG. 14 is a bottom-left rear isometric view of the window
fastener of FIG. 1.

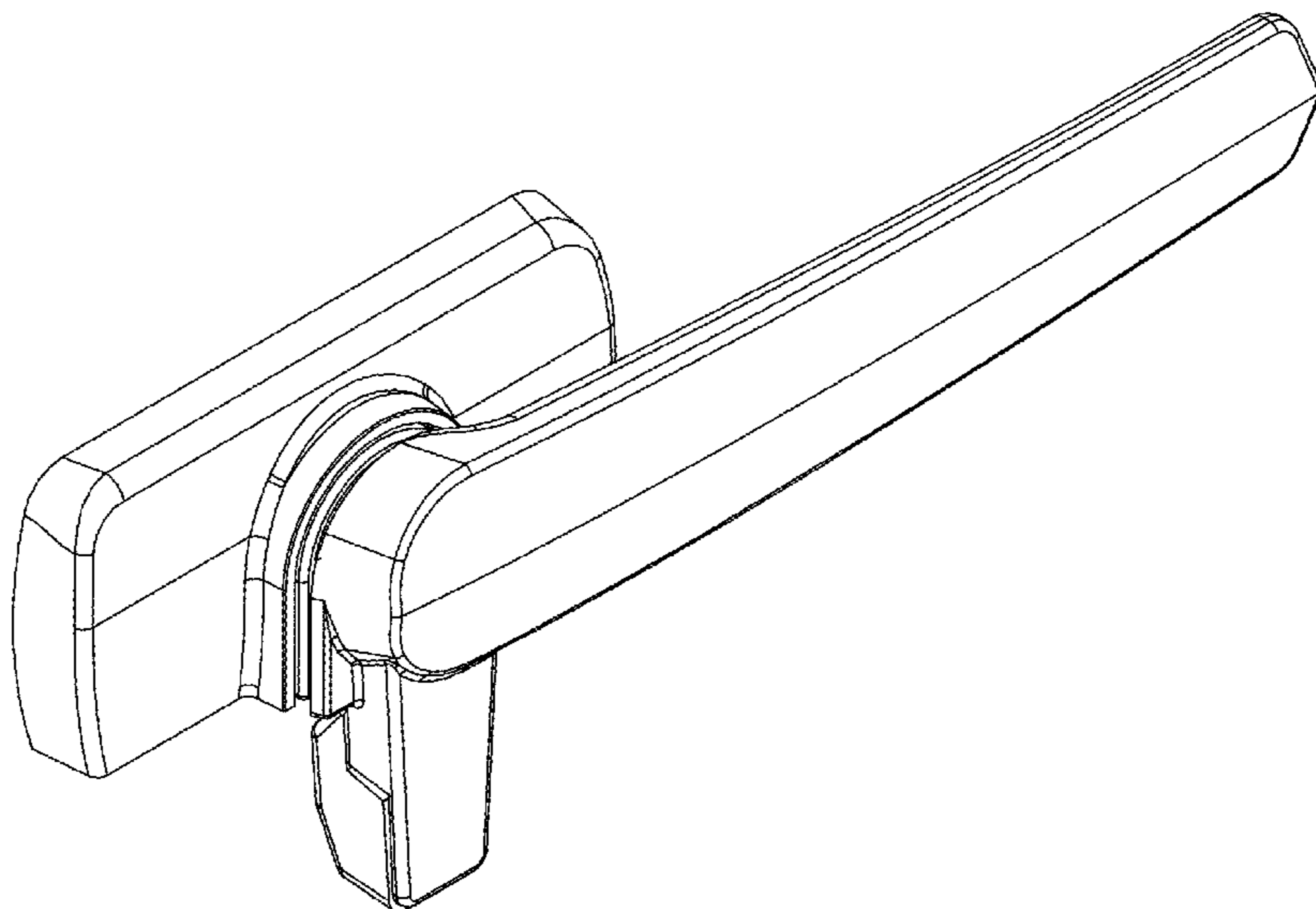
(56) **References Cited**

U.S. PATENT DOCUMENTS

D296,982 S * 8/1988 White D8/337
5,219,193 A 6/1993 Piltingsrud
5,769,469 A 6/1998 Zemke
5,887,916 A * 3/1999 Finkelstein F24C 15/022
292/241
D418,737 S * 1/2000 Libby D8/337

(Continued)

1 Claim, 14 Drawing Sheets



(56)

References Cited

U.S. PATENT DOCUMENTS

| | | | | |
|--------------|------|---------|-------------------|-------------------------|
| 6,412,834 | B1 | 7/2002 | Waitai et al. | |
| 7,000,957 | B2 * | 2/2006 | Lawrence | E05B 65/0841 292/241 |
| 7,100,951 | B2 * | 9/2006 | Jien | E05B 13/002 292/207 |
| D572,112 | S * | 7/2008 | Schlumbom | D8/337 |
| 7,510,221 | B2 * | 3/2009 | Eenigenburg | E05B 13/002 292/240 |
| 7,665,775 | B1 * | 2/2010 | Miller | E05B 65/0841 292/240 |
| 7,922,223 | B2 * | 4/2011 | Lawrence | E05C 3/046 292/241 |
| 8,205,919 | B2 * | 6/2012 | Flory | E05C 1/12 292/241 |
| D787,915 | S * | 5/2017 | Hollmann | D8/338 |
| 10,633,897 | B2 * | 4/2020 | Liang | E05B 17/2038 |
| D904,856 | S * | 12/2020 | Molloy | D8/337 |
| D922,855 | S * | 6/2021 | Molloy | D8/337 |
| 2004/0026932 | A1 | 2/2004 | Coleman et al. | |
| 2020/0270917 | A1 * | 8/2020 | Molloy | E05C 17/02 |
| 2020/0300007 | A1 * | 9/2020 | Capoferri | E05C 9/021 |
| 2021/0156182 | A1 * | 5/2021 | Rickenbaugh | E05C 1/004 |

OTHER PUBLICATIONS

English Translation of Official Action for Japan Patent Application
No. 2019-006328, dated Oct. 11, 2019, 2 pages.

* cited by examiner

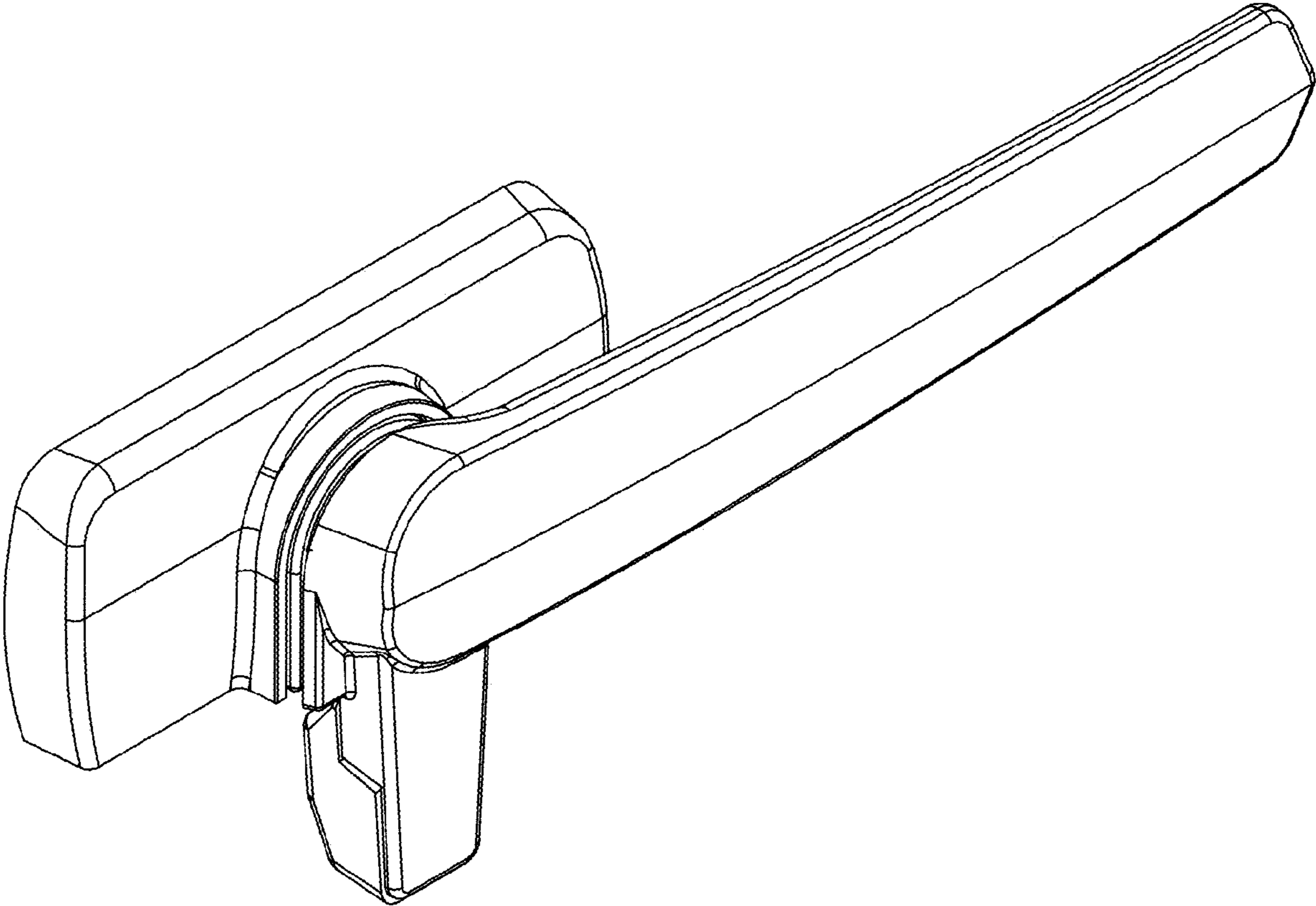


FIG. 1

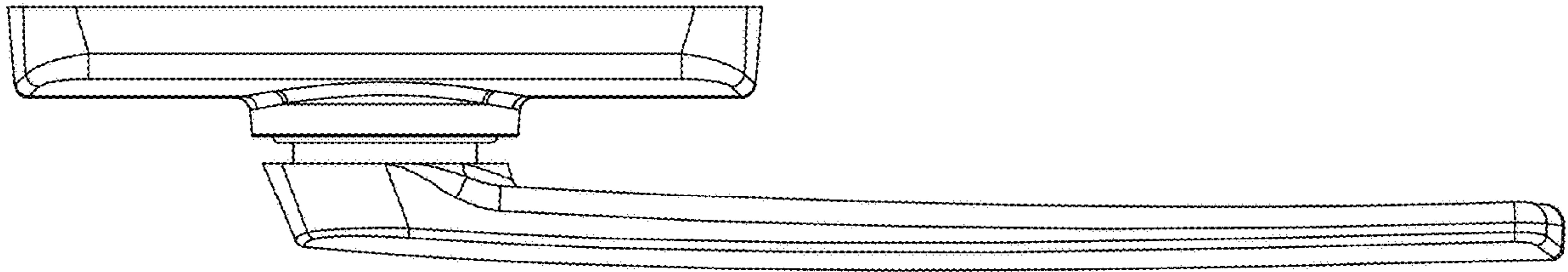


FIG. 2

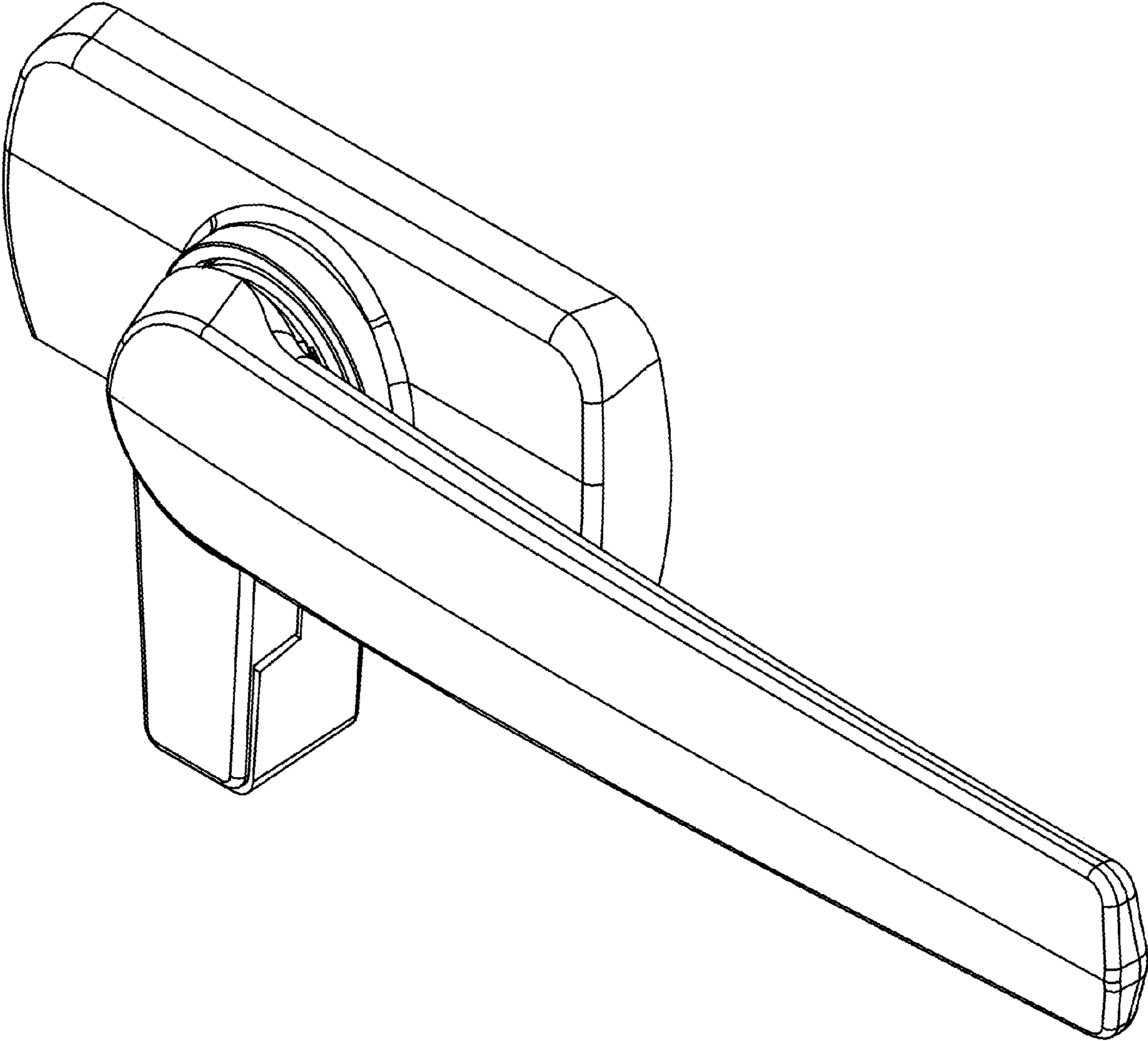


FIG. 3

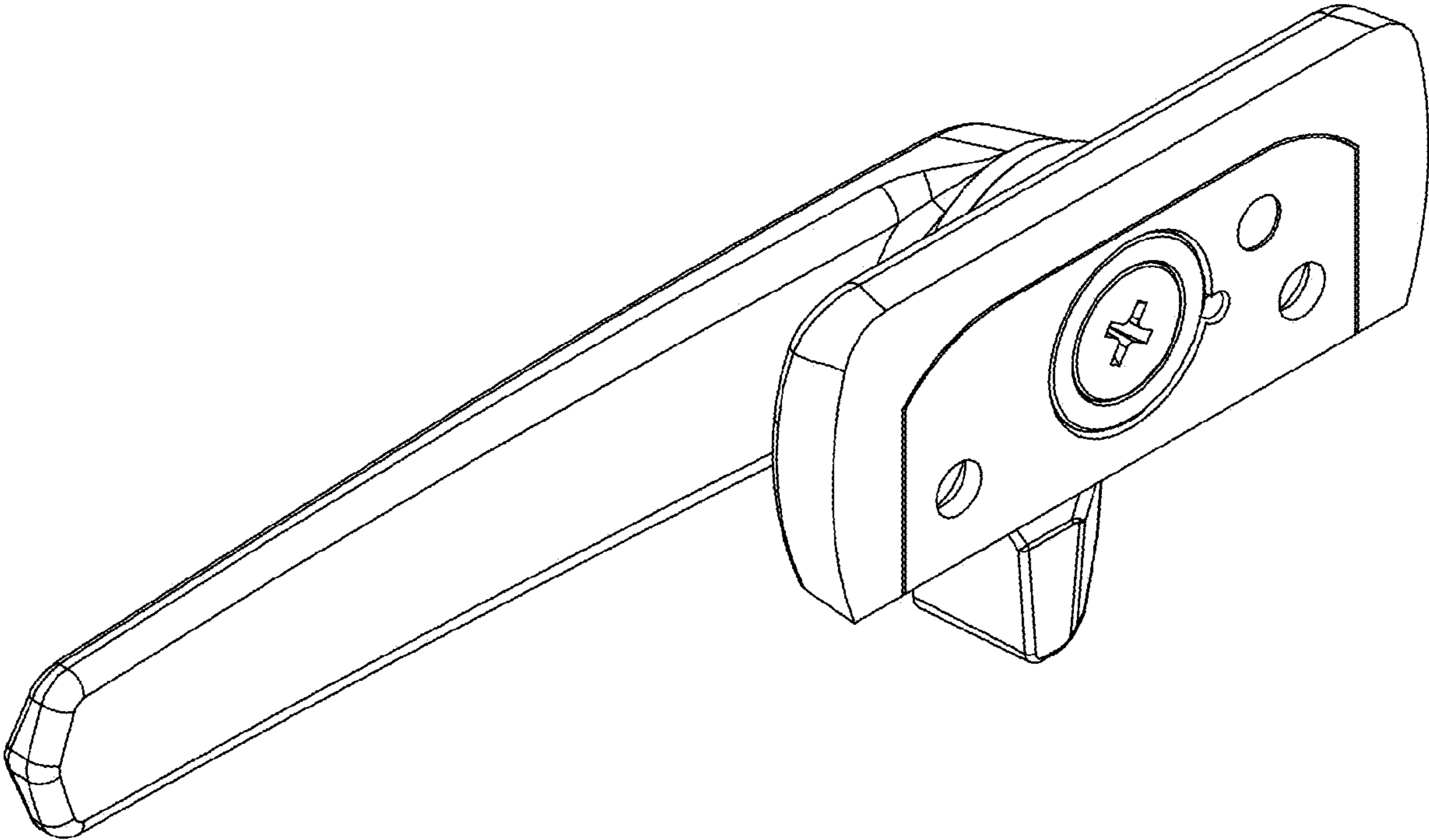


FIG. 4

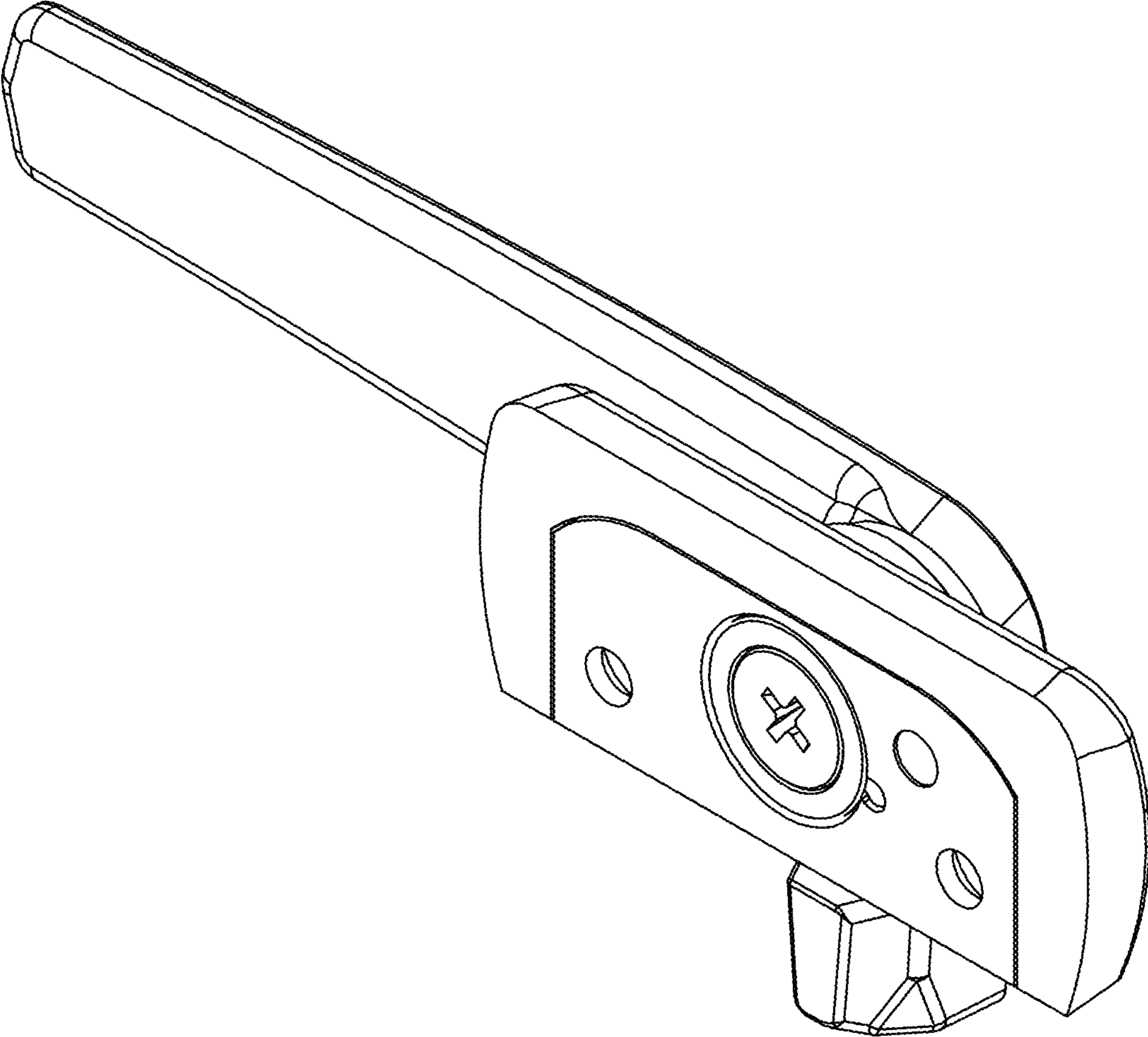


FIG. 5

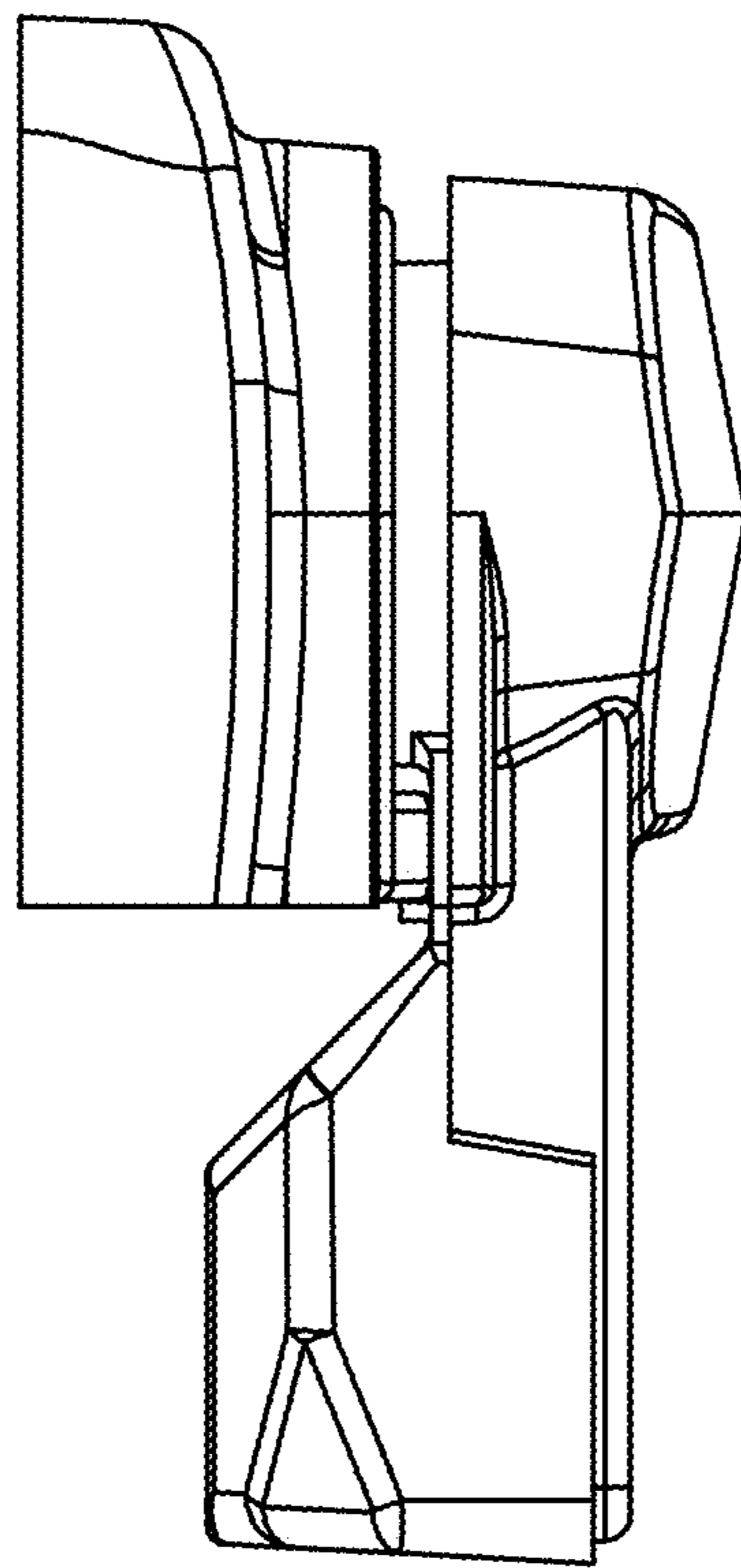


FIG. 6

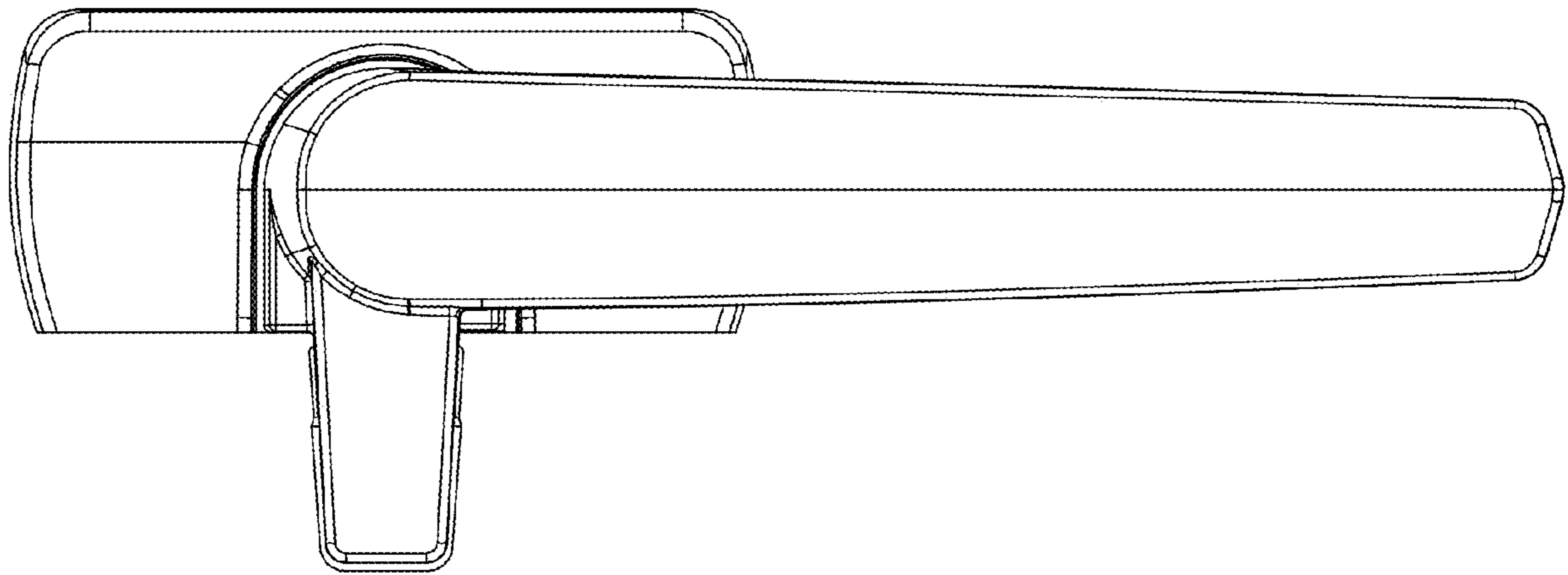


FIG. 7

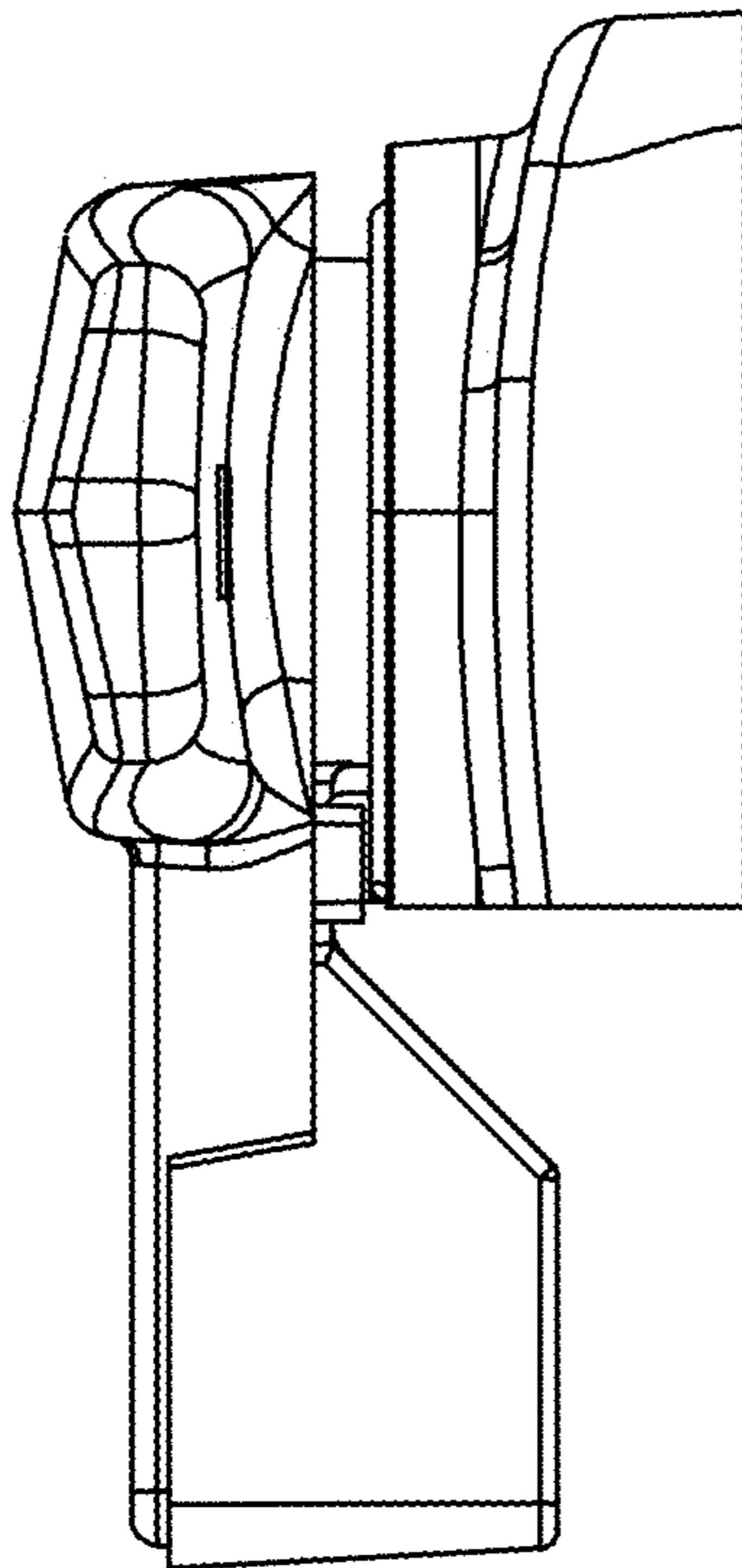


FIG. 8

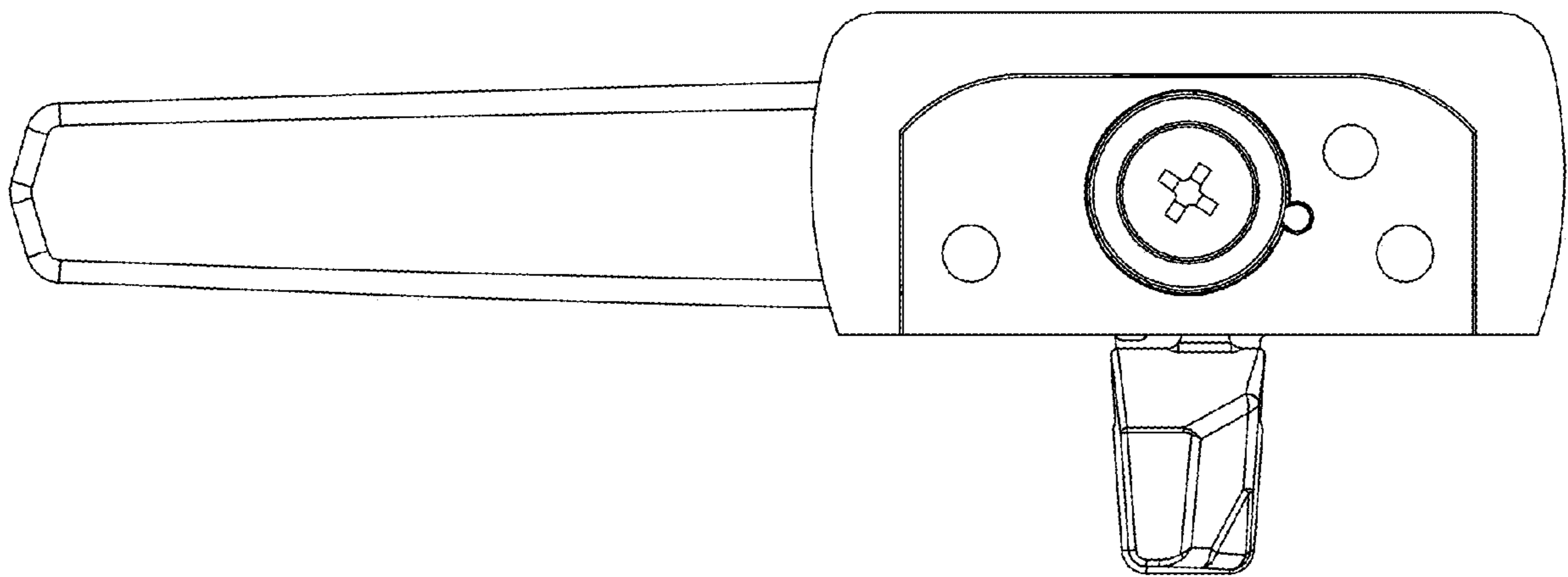


FIG. 9

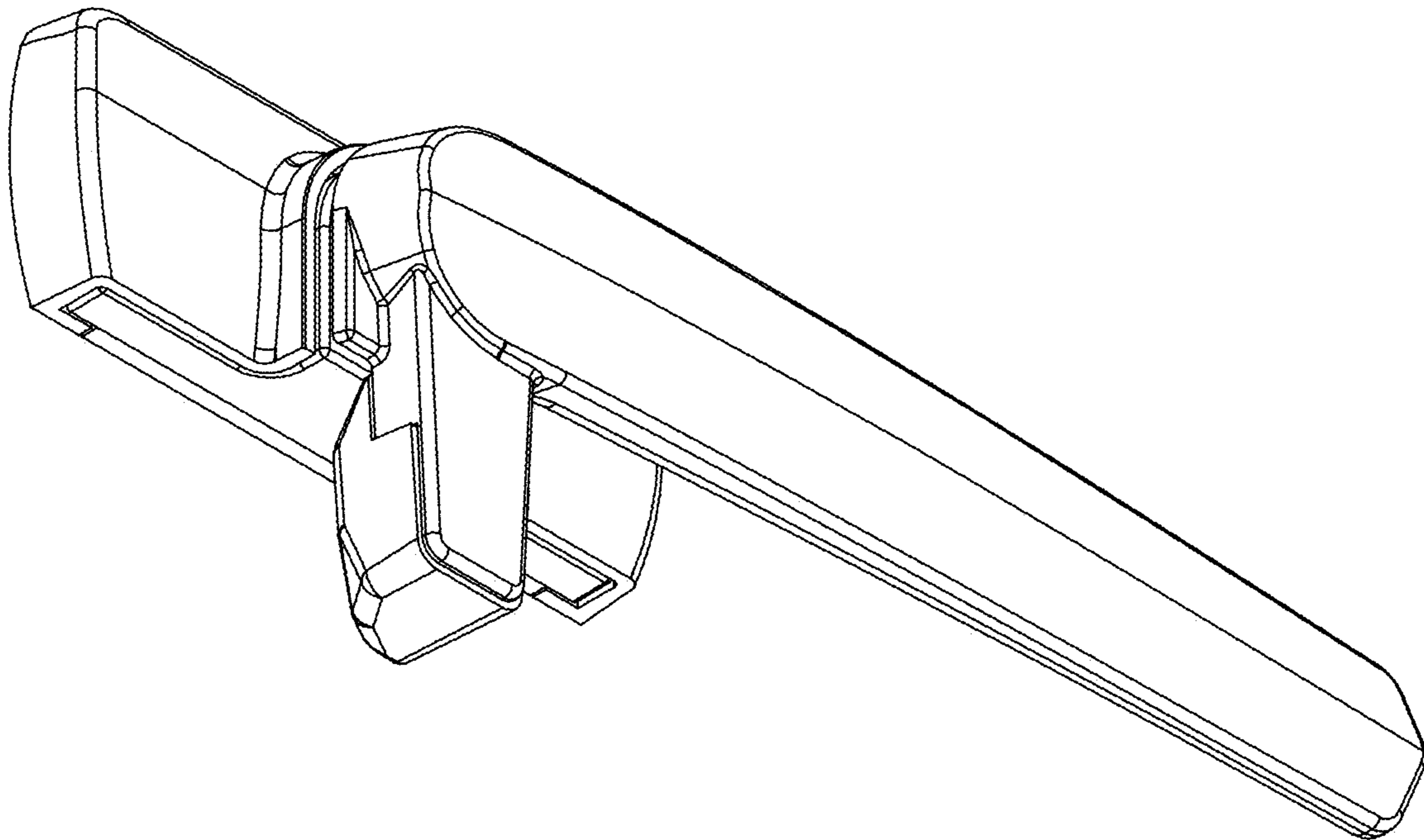


FIG. 10

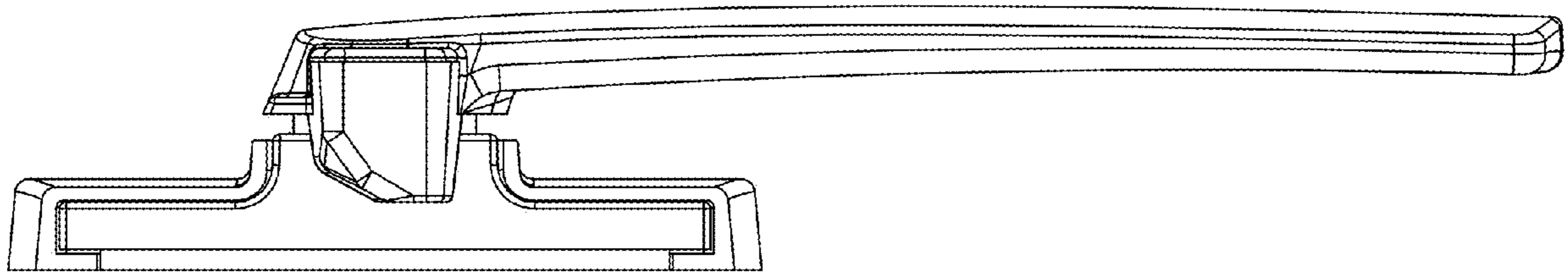


FIG. 11

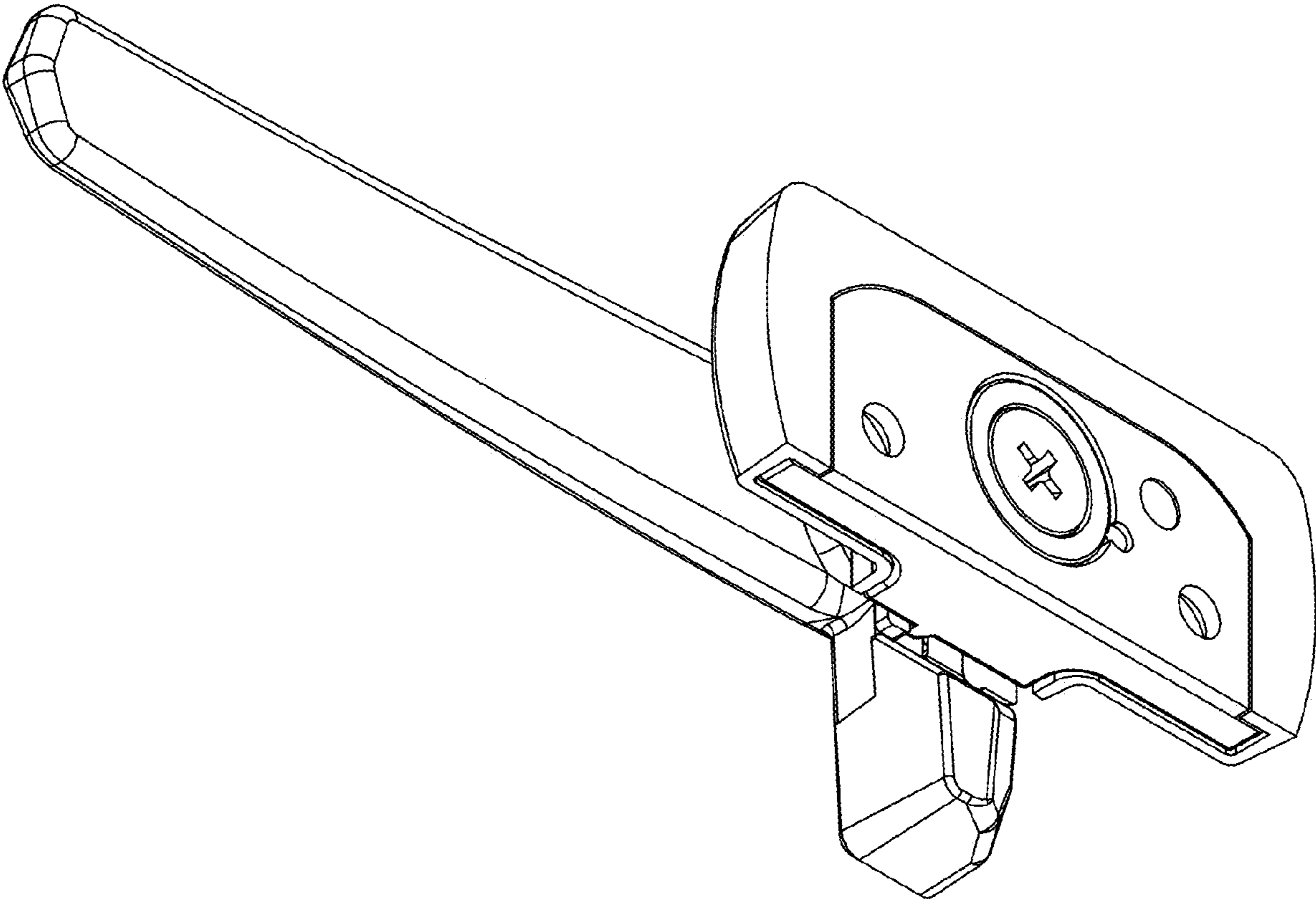


FIG. 12

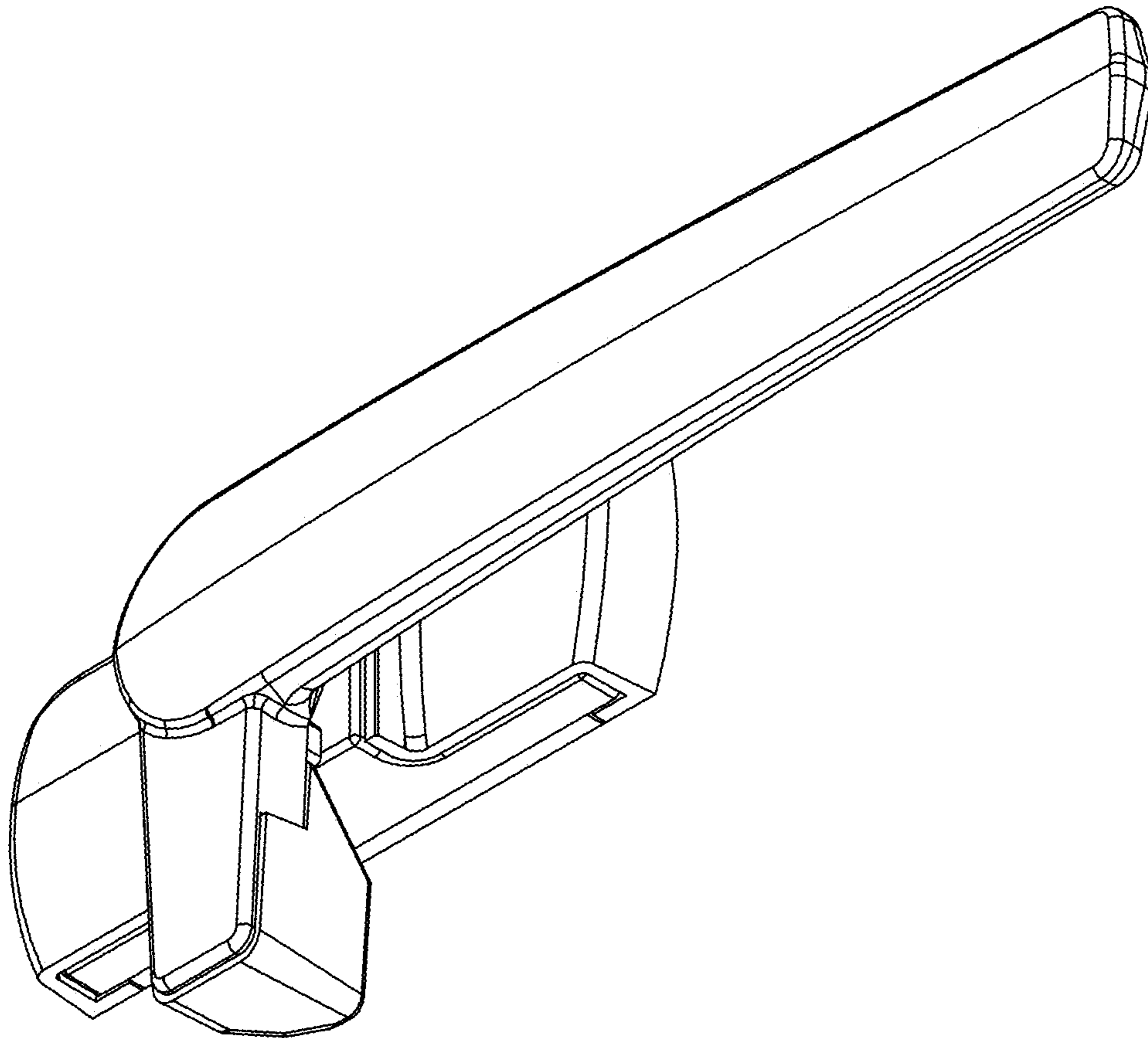


FIG. 13

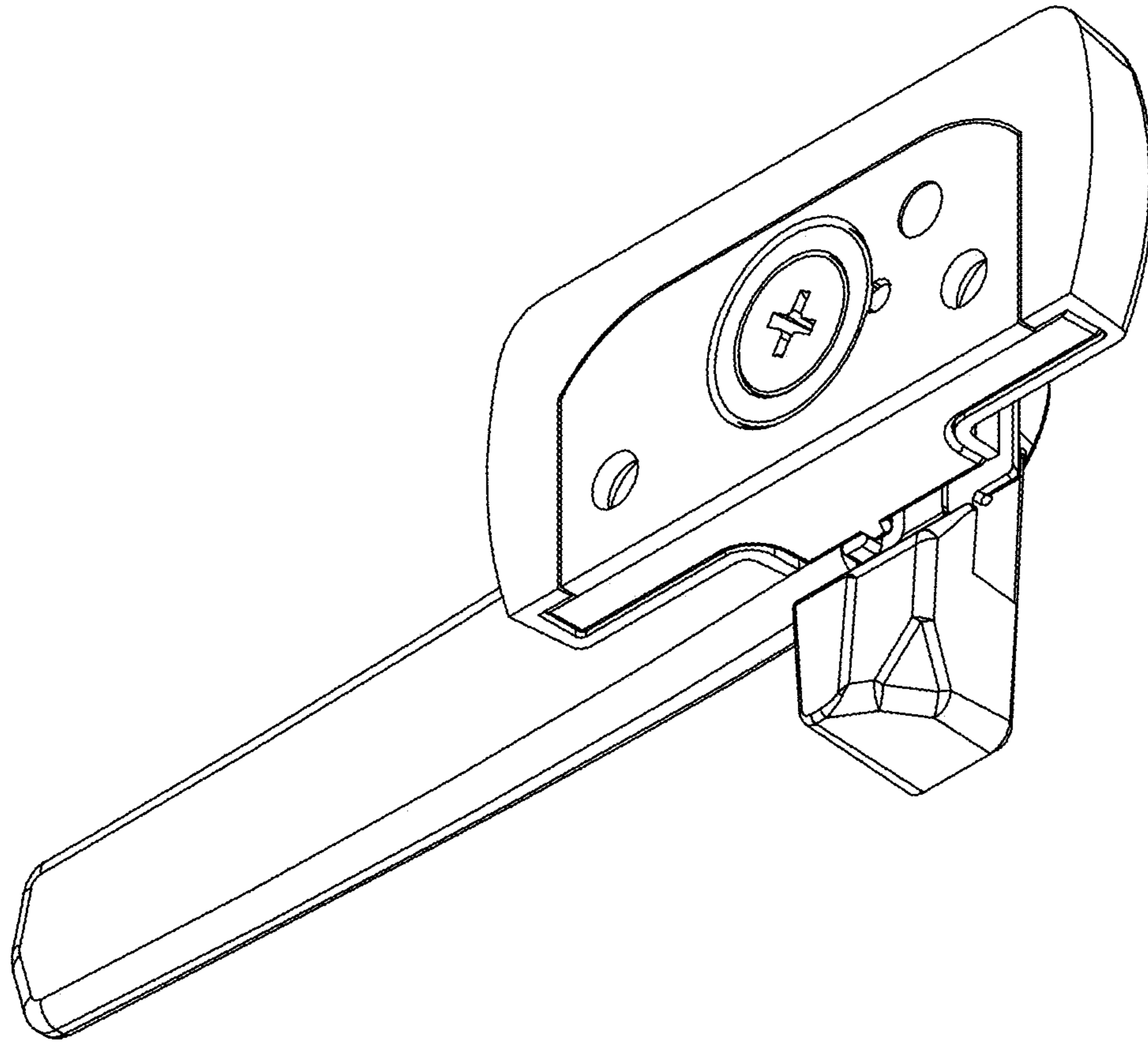


FIG. 14