



US00D956512S

(12) **United States Design Patent**
Lazarini

(10) **Patent No.:** **US D956,512 S**
(45) **Date of Patent:** **** Jul. 5, 2022**

- (54) **PULL**
- (71) Applicant: **DELTA FAUCET COMPANY**,
Indianapolis, IN (US)
- (72) Inventor: **Alejandra Lazarini**, Carmel, IN (US)
- (73) Assignee: **DELTA FAUCET COMPANY**,
Indianapolis, IN (US)
- (**) Term: **15 Years**
- (21) Appl. No.: **29/767,215**
- (22) Filed: **Jan. 21, 2021**
- (51) **LOC (13) Cl.** **08-06**
- (52) **U.S. Cl.**
USPC **D8/314; D8/306**
- (58) **Field of Classification Search**
USPC D8/300, 301, 302, 306, 307, 308, 313,
D8/314, 315, 316, 318, 319, 320, 331;
D7/393, 394; D3/281, 318
CPC Y10T 16/469; Y10T 16/44; Y10T 16/498;
Y10T 16/459; Y10T 74/20732; Y10T
16/462; Y10T 29/49826; Y10T 16/4559;
Y10T 74/20864; Y10T 16/4628; Y10T
407/1825; Y10T 408/96; Y10T 74/20612;
Y10T 137/6024; B25G 1/10; B25G 1/00;
B25G 3/00
See application file for complete search history.

- (56) **References Cited**
U.S. PATENT DOCUMENTS
D25,171 S * 2/1896 Le Grand D8/306
664,181 A * 12/1900 Shepard A47B 95/02
235/145 R

D54,421 S *	2/1920	Kelly	D8/306
1,561,027 A *	11/1925	Kelly	A47B 95/02 16/439
D126,567 S *	4/1941	Borchers	D8/314
2,444,056 A *	6/1948	McCarl	A47J 45/08 220/765
D175,656 S *	9/1955	Trout et al.	D8/314
D175,816 S *	10/1955	Winer	D8/314
2,767,424 A *	10/1956	Knuepfer	A45C 13/26 16/445
D198,836 S *	8/1964	Smith, Jr.	D8/314
D214,778 S *	7/1969	Solie	D8/306
7,451,525 B2 *	11/2008	Willems	B65D 25/2841 16/419
D625,575 S *	10/2010	Lu	D8/320
D723,900 S *	3/2015	Bertani	D8/306
D862,881 S *	10/2019	Milburn	D3/281

* cited by examiner

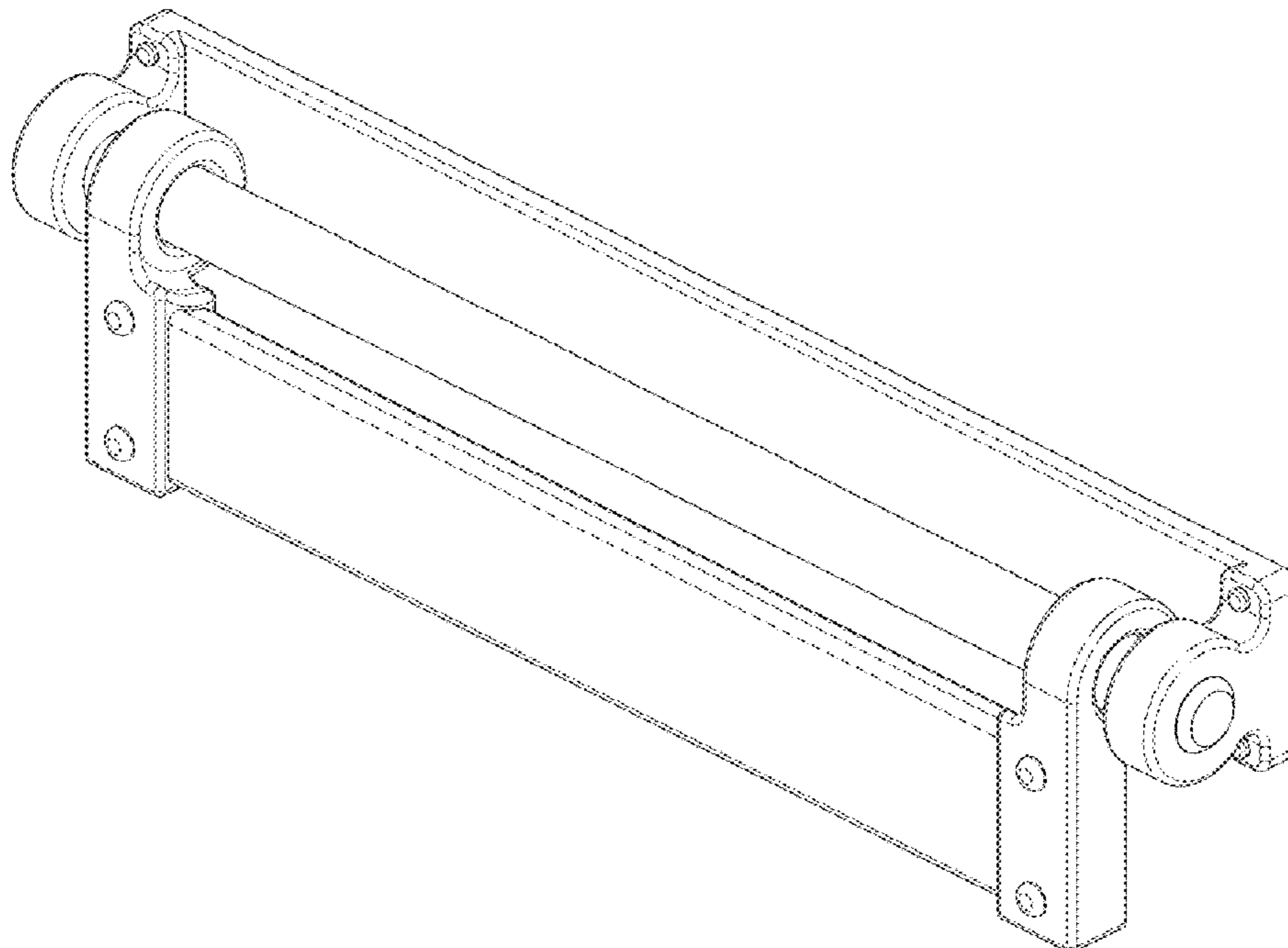
Primary Examiner — Lauren R Calve
(74) *Attorney, Agent, or Firm* — Nirav D. Parikh; Edgar A. Zarins

(57) **CLAIM**
The ornamental design for a pull, as shown and described.

DESCRIPTION

FIG. 1 is a first perspective view of a pull showing my new design;
FIG. 2 is a second perspective view thereof;
FIG. 3 is a first side view thereof;
FIG. 4 is a first end view thereof;
FIG. 5 is a second side view thereof;
FIG. 6 is a second end view thereof;
FIG. 7 is a top plan view thereof; and,
FIG. 8 is a bottom view thereof.

1 Claim, 4 Drawing Sheets



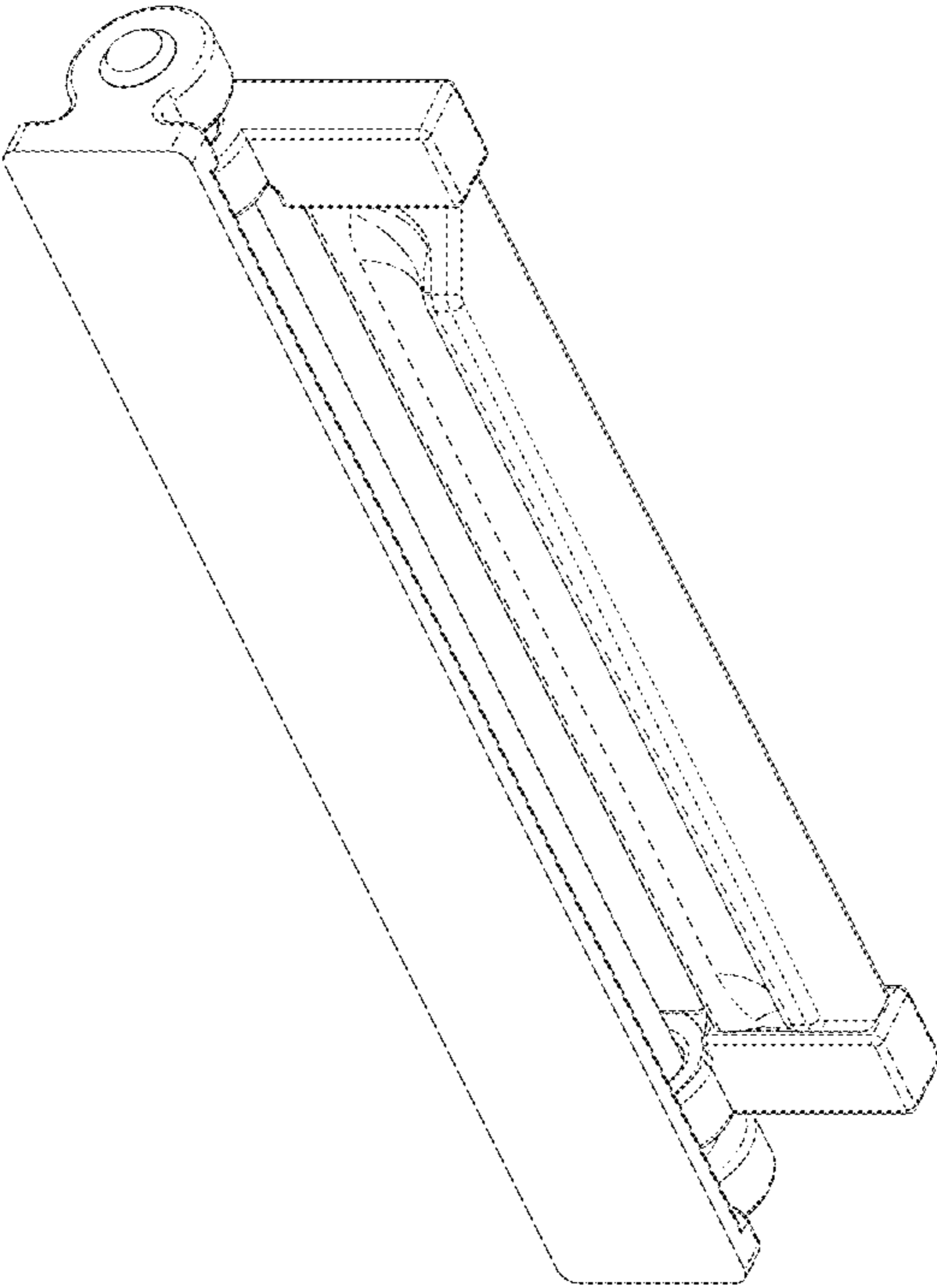


FIG. 2

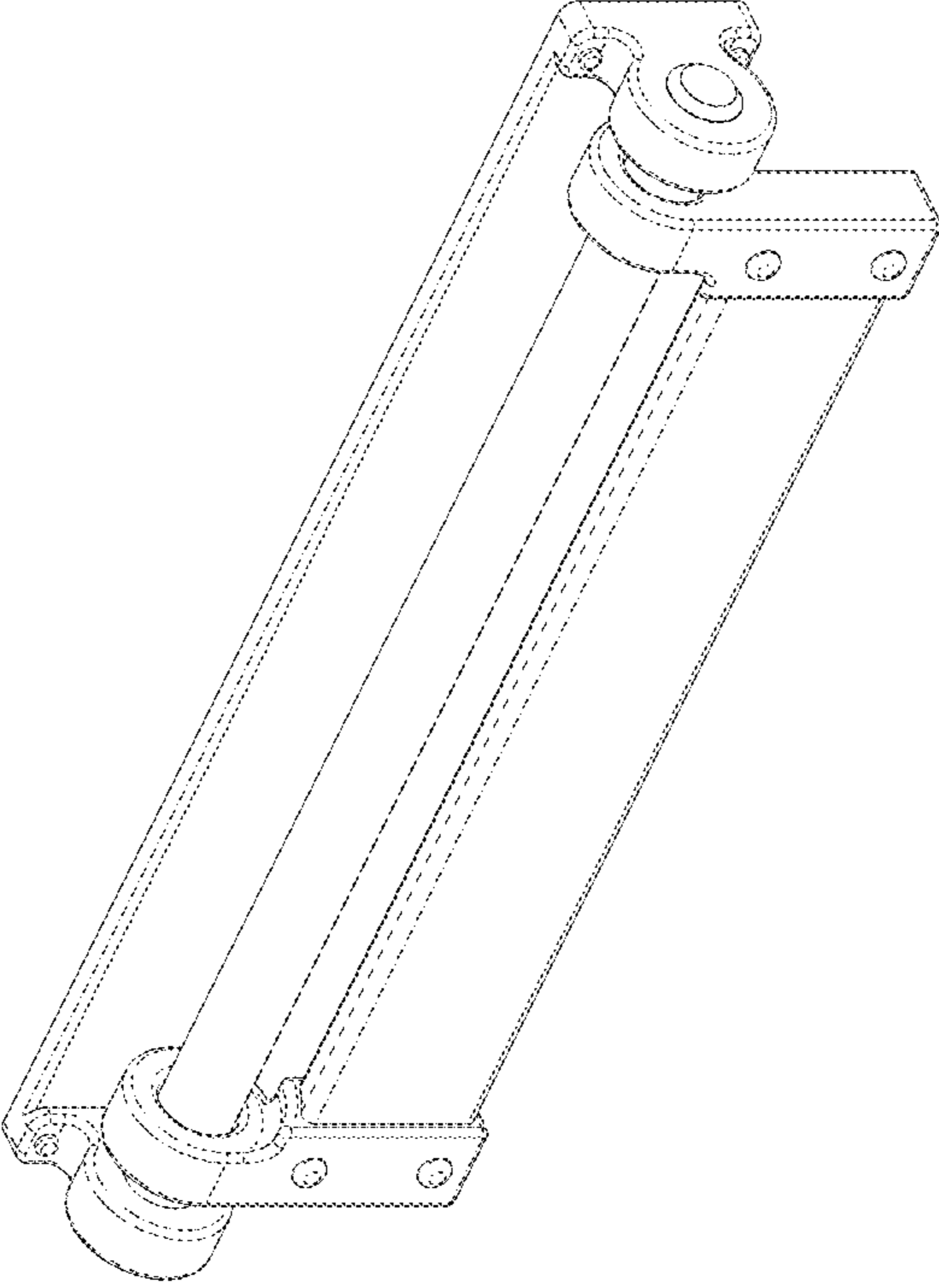


FIG. 1

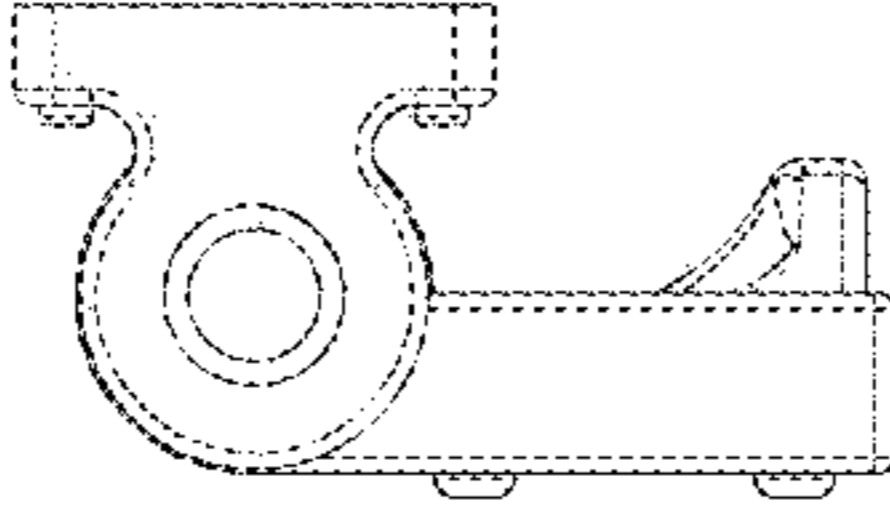


FIG. 4

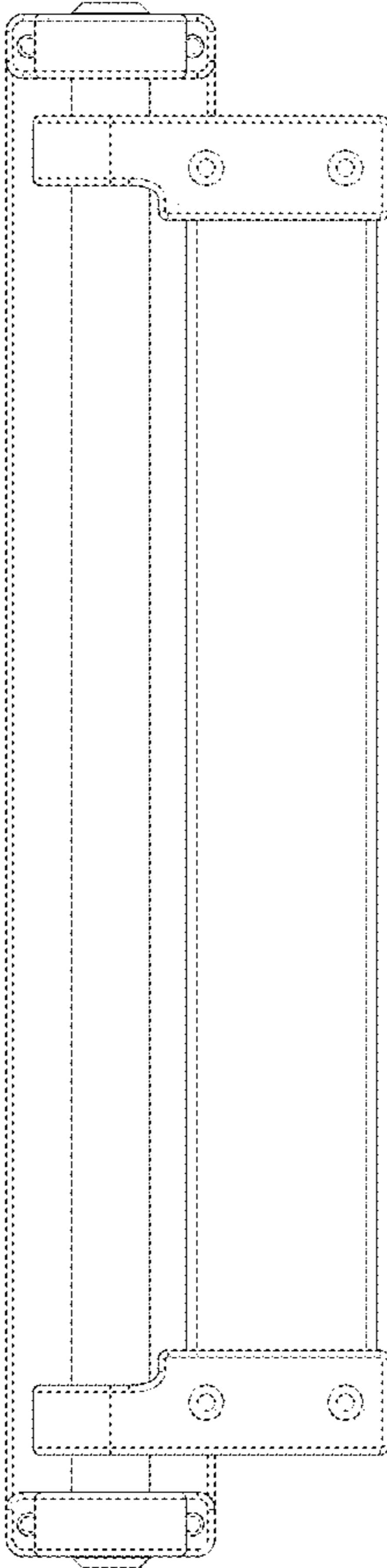


FIG. 3

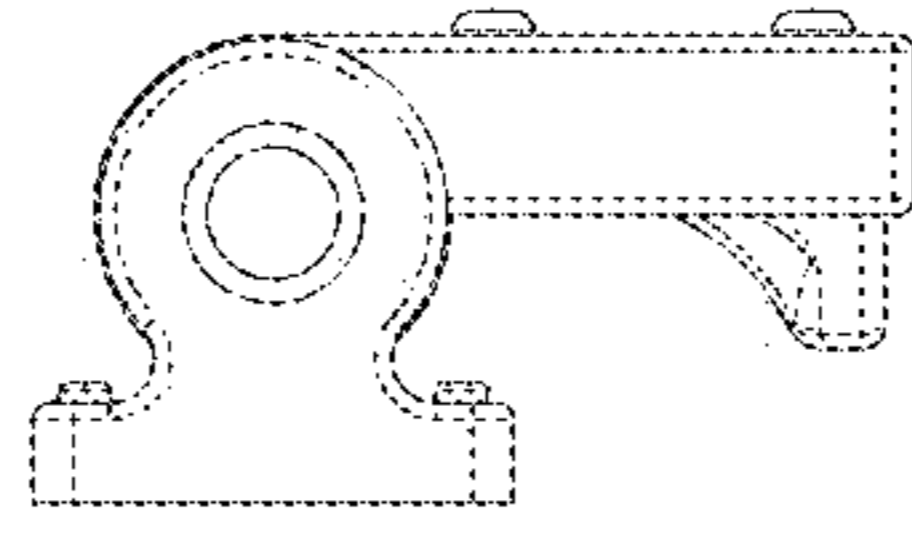


FIG. 6

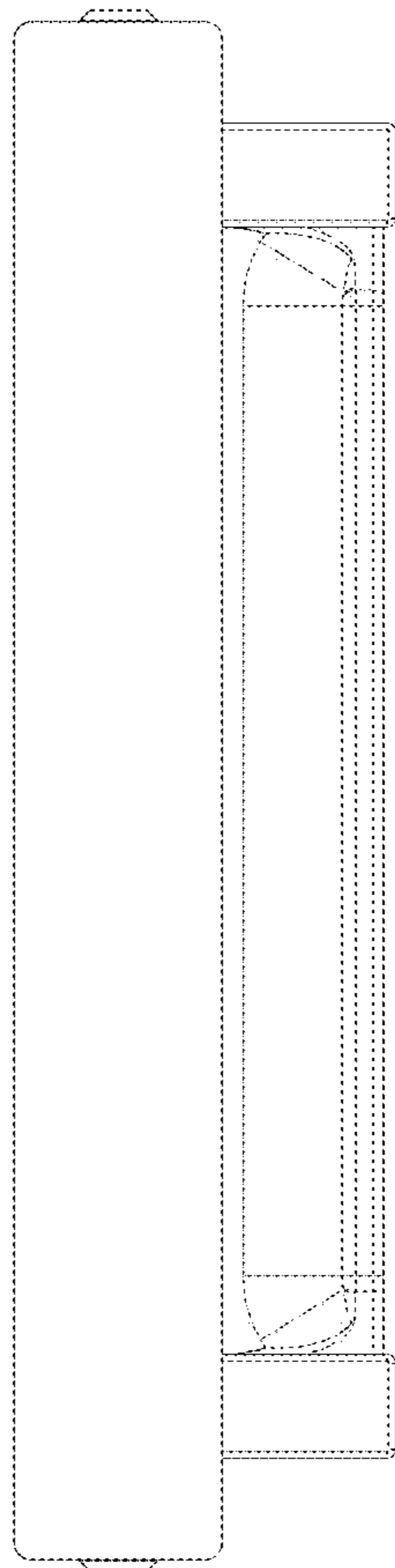


FIG. 5

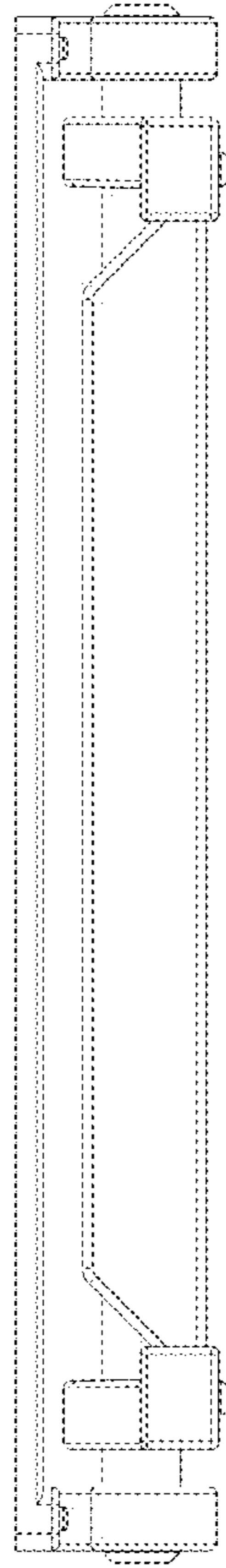


FIG. 8

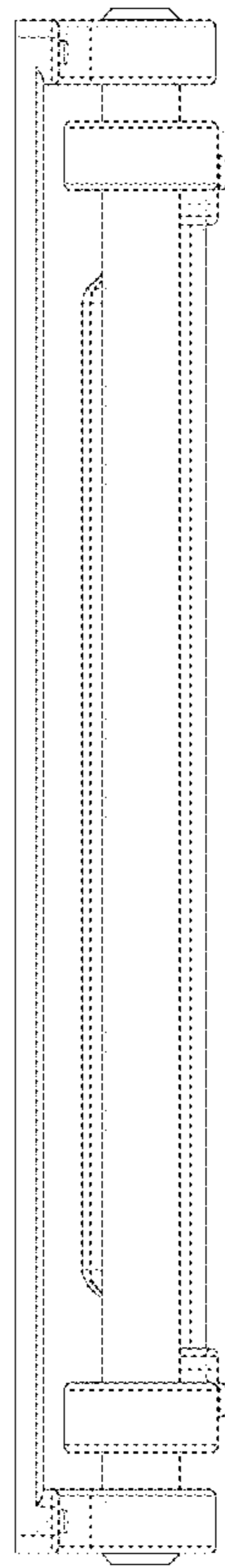


FIG. 7