



US00D956511S

(12) **United States Design Patent**  
**Lazarini**

(10) **Patent No.:** **US D956,511 S**  
(45) **Date of Patent:** **\*\* Jul. 5, 2022**

(54) **PULL**

(71) Applicant: **DELTA FAUCET COMPANY**,  
Indianapolis, IN (US)

(72) Inventor: **Alejandra Lazarini**, Carmel, IN (US)

(73) Assignee: **DELTA FAUCET COMPANY**,  
Indianapolis, IN (US)

(\*\*) Term: **15 Years**

(21) Appl. No.: **29/767,214**

(22) Filed: **Jan. 21, 2021**

(51) **LOC (13) Cl.** ..... **08-06**

(52) **U.S. Cl.**  
USPC ..... **D8/314; D8/306**

(58) **Field of Classification Search**  
USPC ..... D8/300, 301, 302, 306, 307, 308, 313,  
D8/314, 315, 316, 318, 319, 320, 331;  
D7/393, 394; D3/281, 318  
CPC ..... Y10T 16/469; Y10T 16/44; Y10T 16/498;  
Y10T 16/459; Y10T 74/20732; Y10T  
16/462; Y10T 29/49826; Y10T 16/4559;  
Y10T 74/20864; Y10T 16/4628; Y10T  
407/1825; Y10T 408/96; Y10T 74/20612;  
Y10T 137/6024; B25G 1/10; B25G 1/00;  
B25G 3/00  
See application file for complete search history.

(56) **References Cited**  
**U.S. PATENT DOCUMENTS**  
D25,171 S \* 2/1896 Terry ..... D8/306  
664,181 A \* 12/1900 Shepard ..... A47B 95/02  
235/145 R

D54,421 S \* 2/1920 Kelly ..... D8/306  
1,561,027 A \* 11/1925 Kelly ..... A47B 95/02  
16/439  
D126,567 S \* 4/1941 Borchers ..... D8/314  
2,444,056 A \* 6/1948 McCarl ..... A47J 45/08  
220/765  
D175,656 S \* 9/1955 Trout et al. .... D8/314  
D175,816 S \* 10/1955 Winer ..... D8/314  
2,767,424 A \* 10/1956 Knuepfer ..... A45C 13/26  
16/445  
D198,836 S \* 8/1964 Smith, Jr. .... D8/314  
D214,778 S \* 7/1969 Solie ..... D8/306  
7,451,525 B2 \* 11/2008 Willems ..... B65D 25/2841  
16/419  
D625,575 S \* 10/2010 Lu ..... D8/320  
D723,900 S \* 3/2015 Bertani ..... D8/306  
D862,881 S \* 10/2019 Milburn ..... D3/281

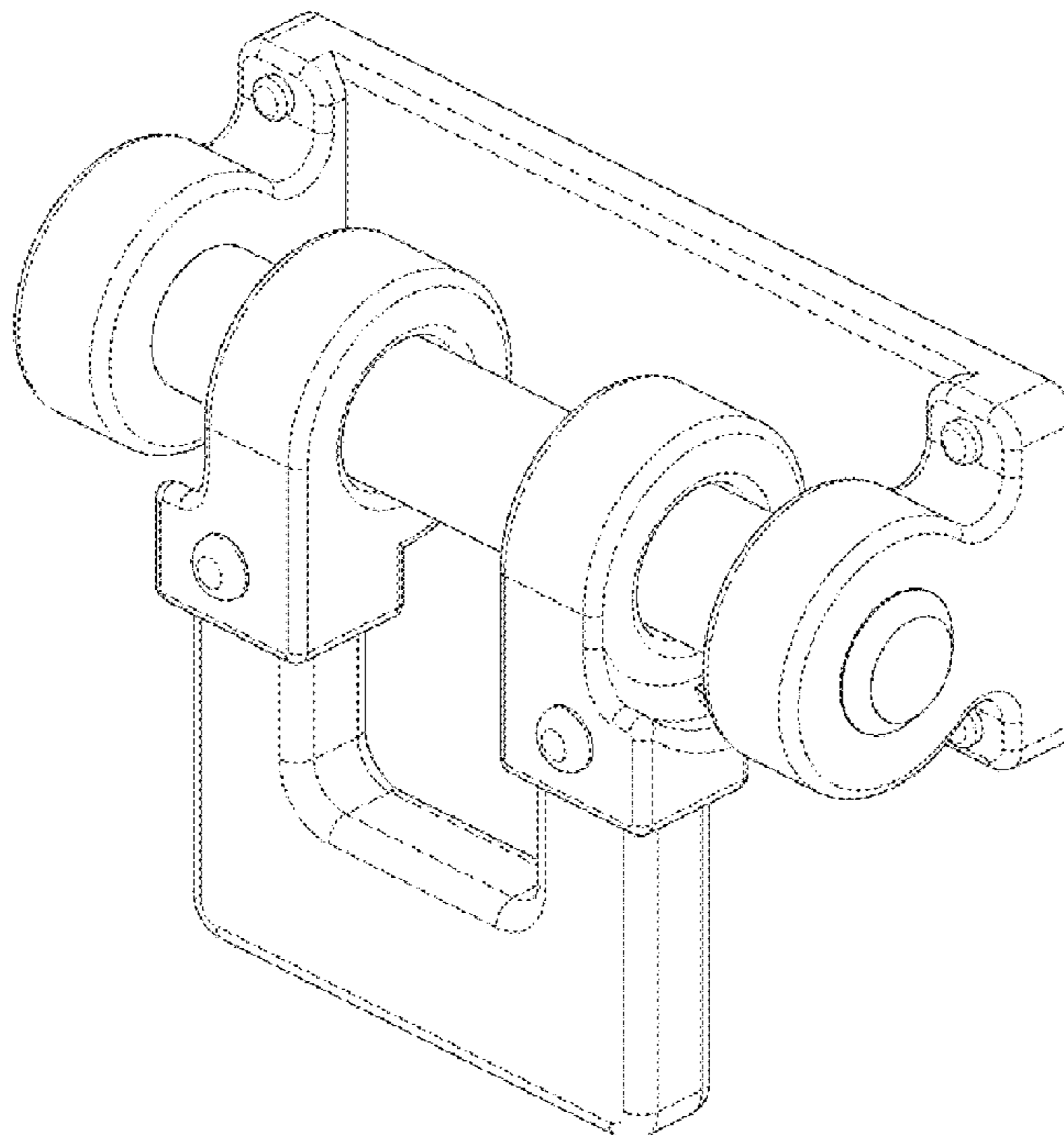
\* cited by examiner

*Primary Examiner* — Lauren R Calve  
(74) *Attorney, Agent, or Firm* — Nirav D. Parikh; Edgar  
A. Zarins

(57) **CLAIM**  
The ornamental design for a pull, as shown and described.

**DESCRIPTION**  
FIG. 1 is a first perspective view of a pull showing my new design;  
FIG. 2 is a second perspective view thereof;  
FIG. 3 is a first side view thereof;  
FIG. 4 is a first end view thereof;  
FIG. 5 is a second side view thereof;  
FIG. 6 is a second end view thereof;  
FIG. 7 is a top plan view thereof; and,  
FIG. 8 is a bottom view thereof.

**1 Claim, 4 Drawing Sheets**



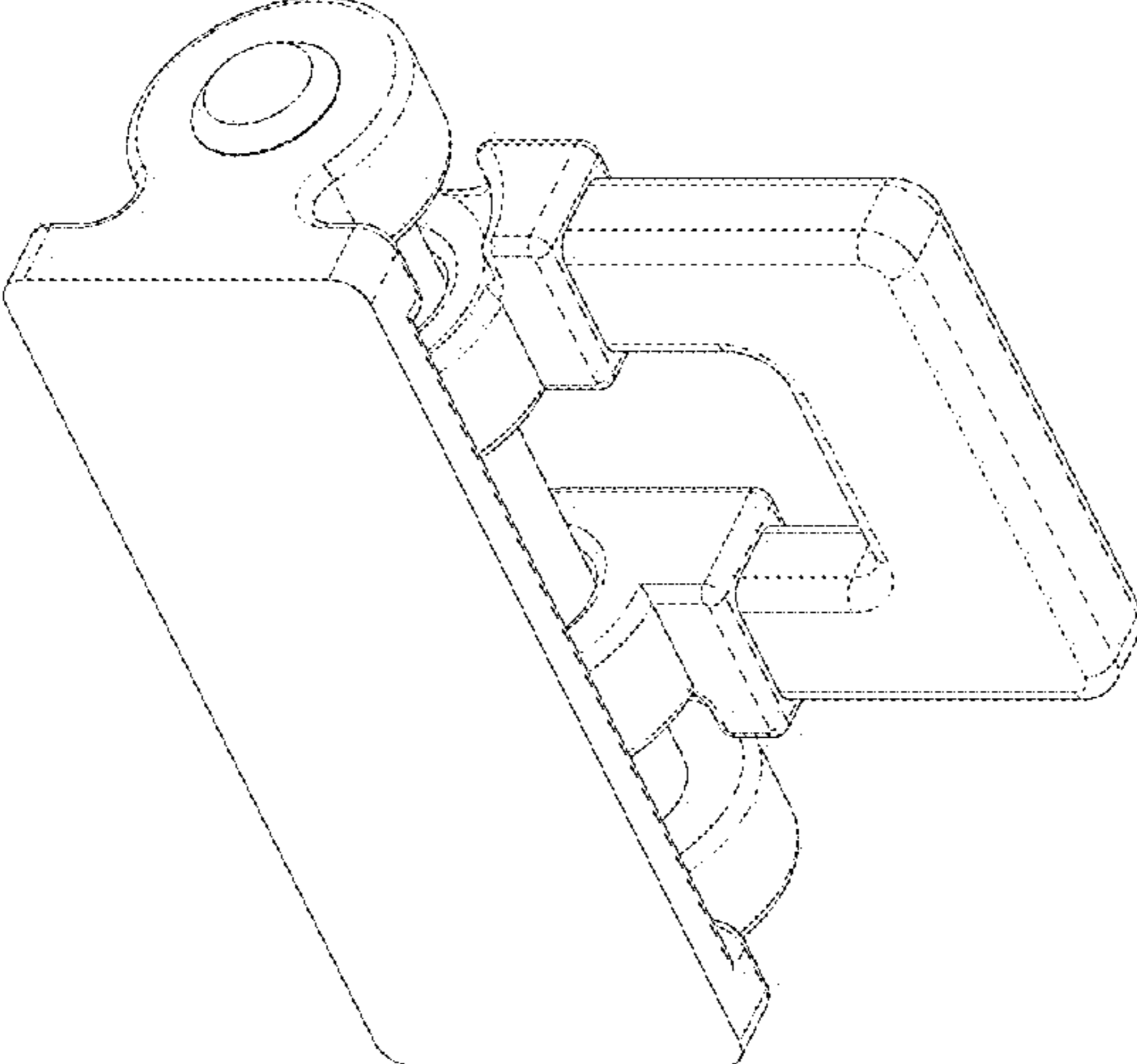


FIG. 2

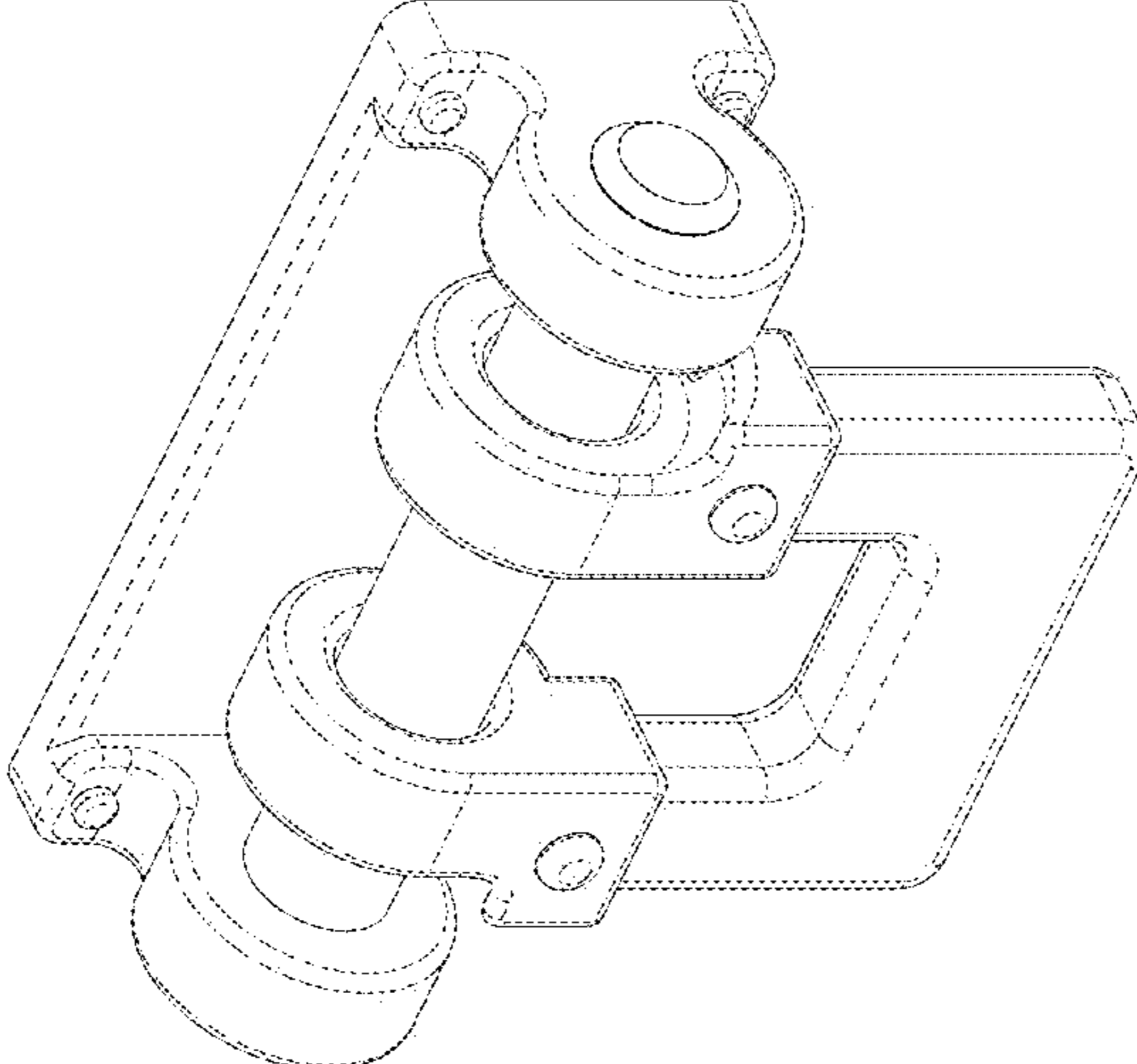


FIG. 1

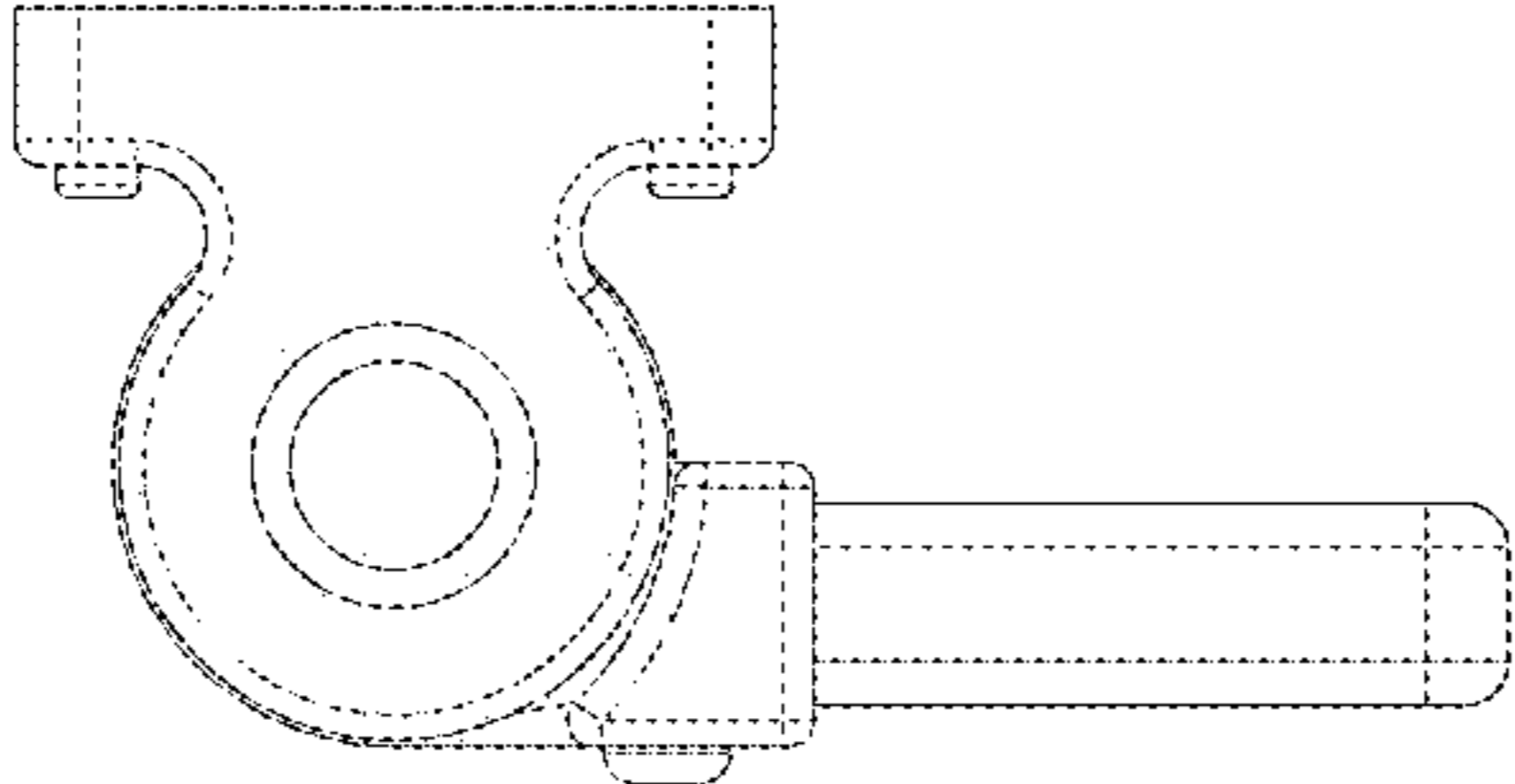


FIG. 4

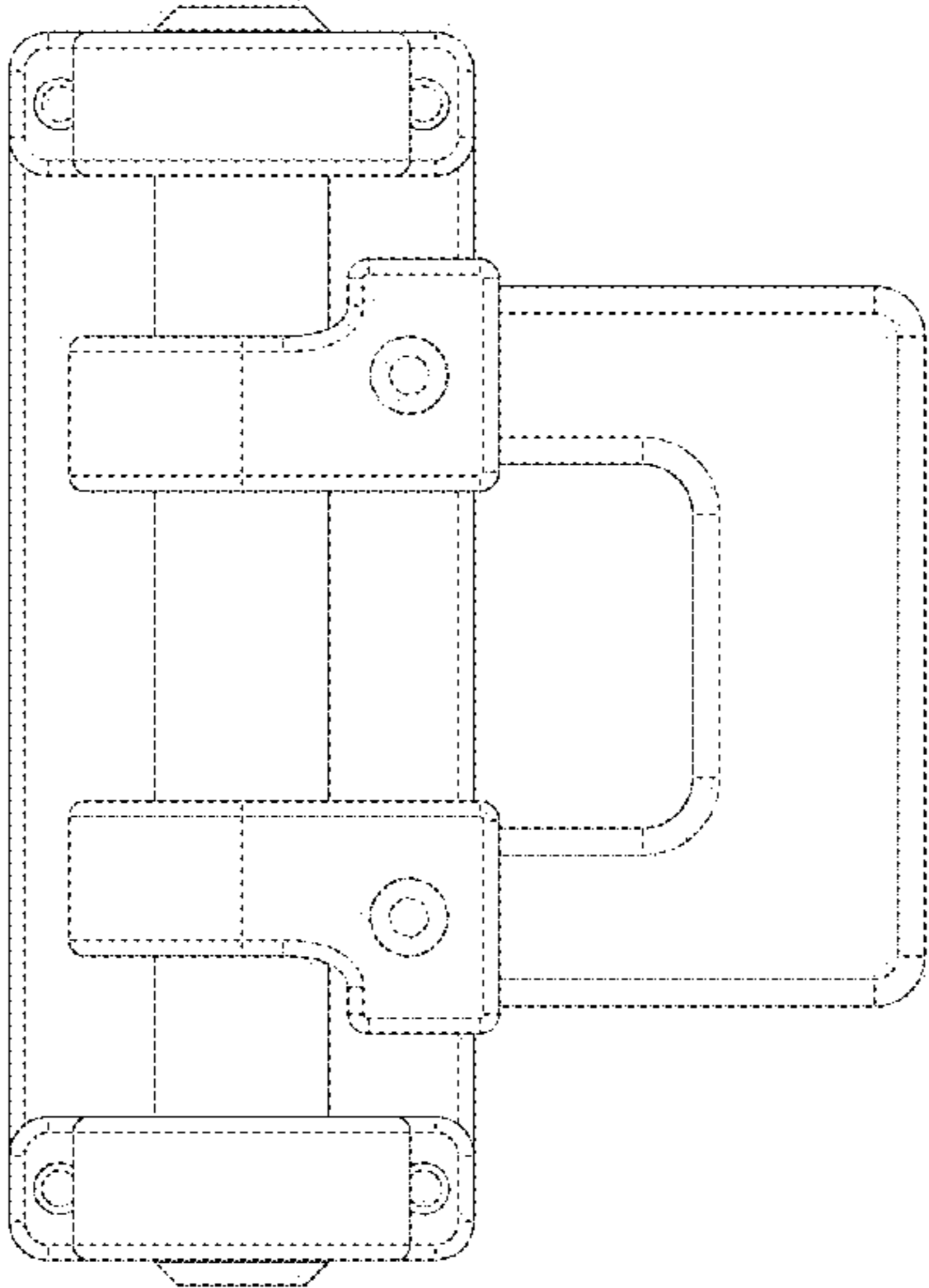


FIG. 3

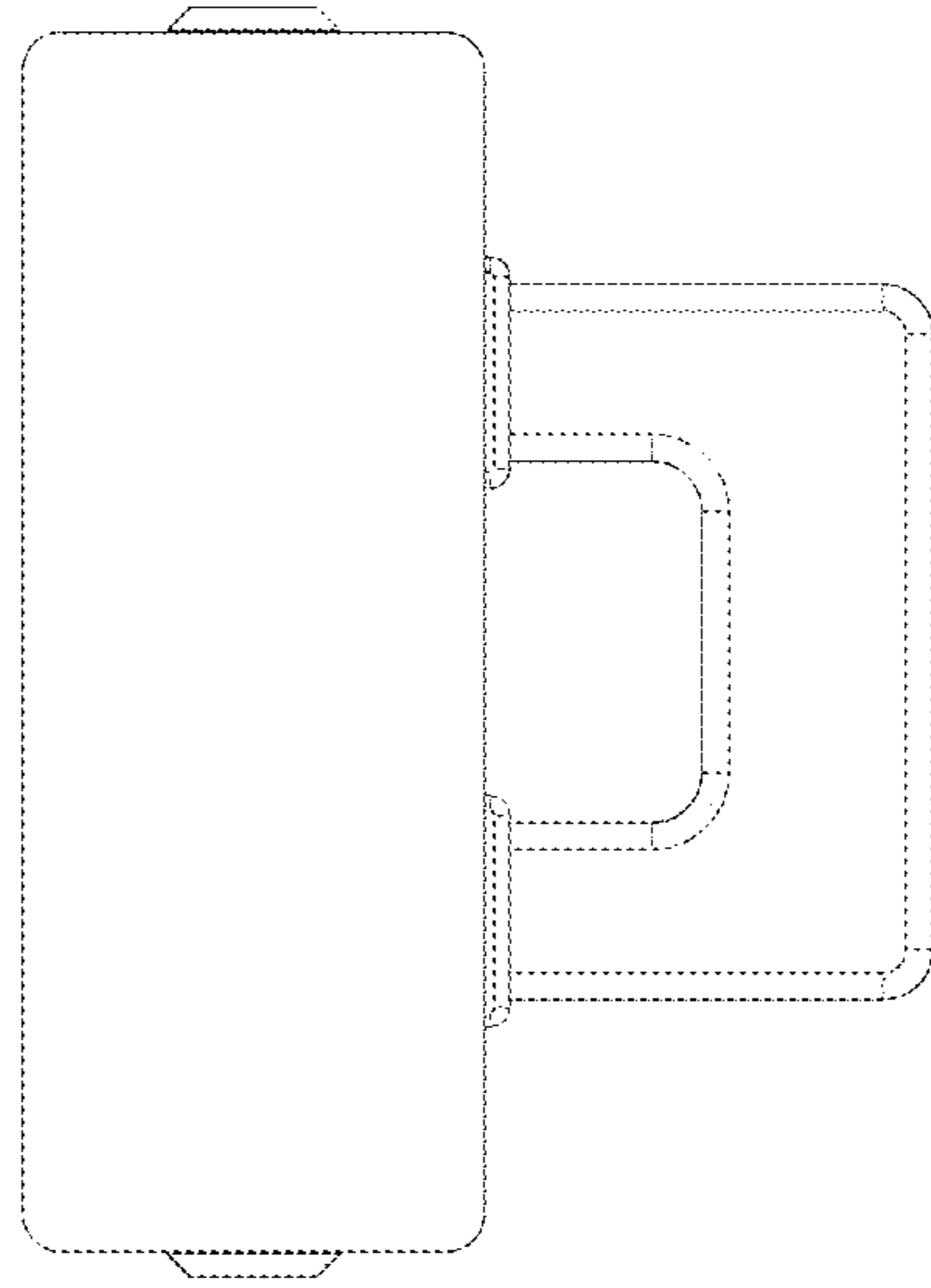


FIG. 6

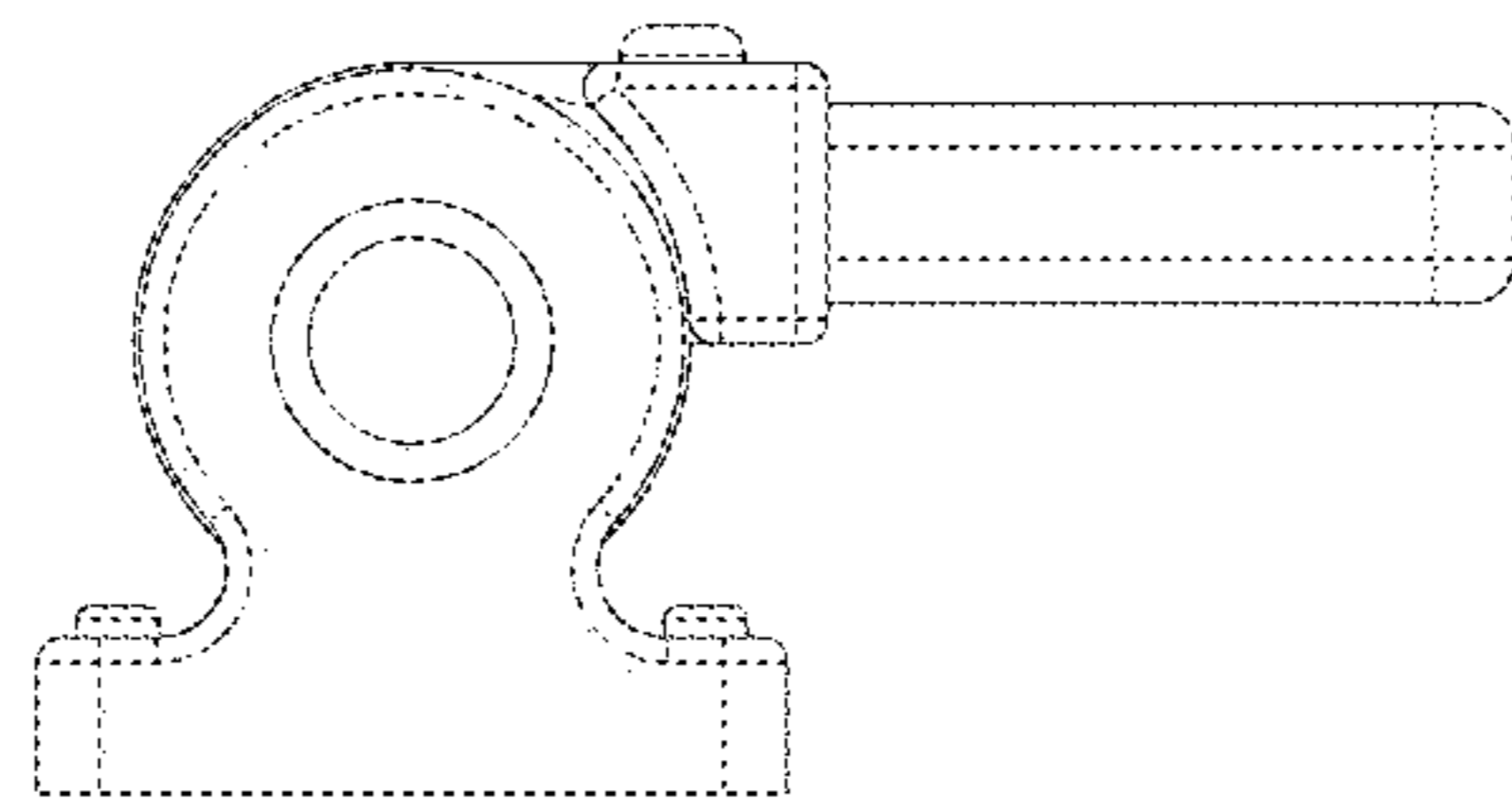


FIG. 5

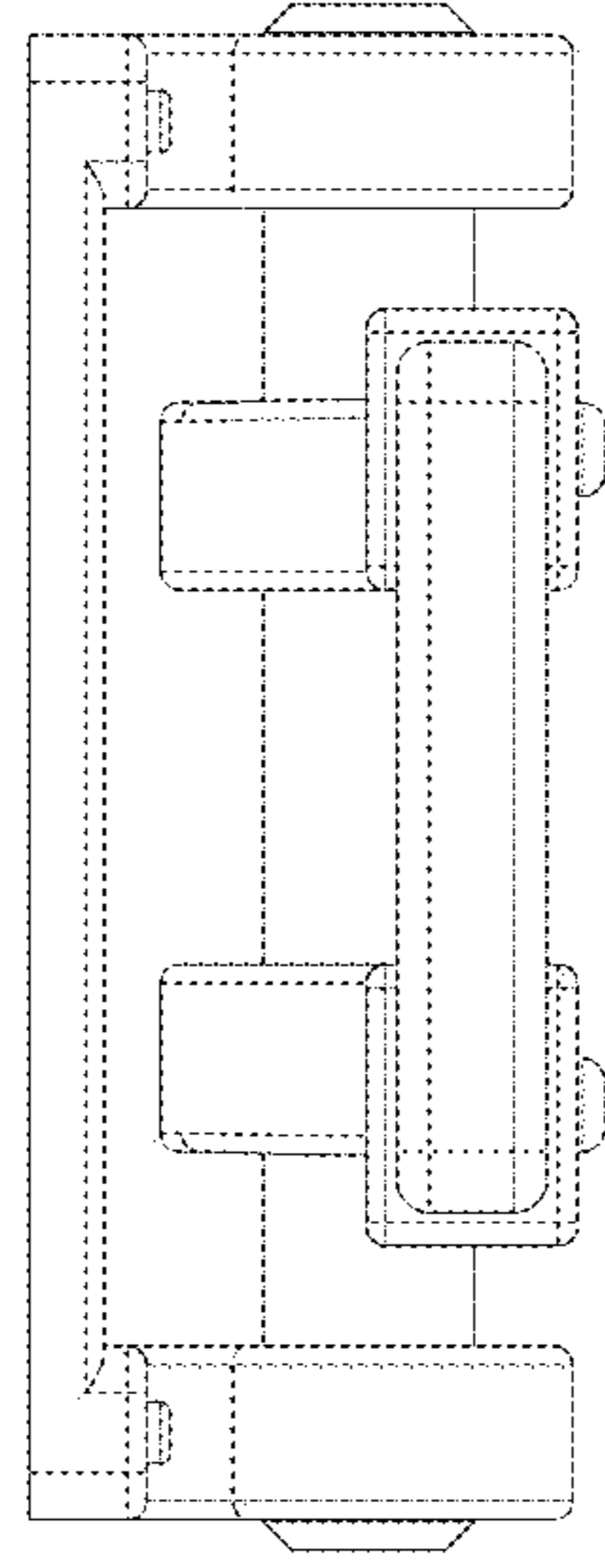


FIG. 8

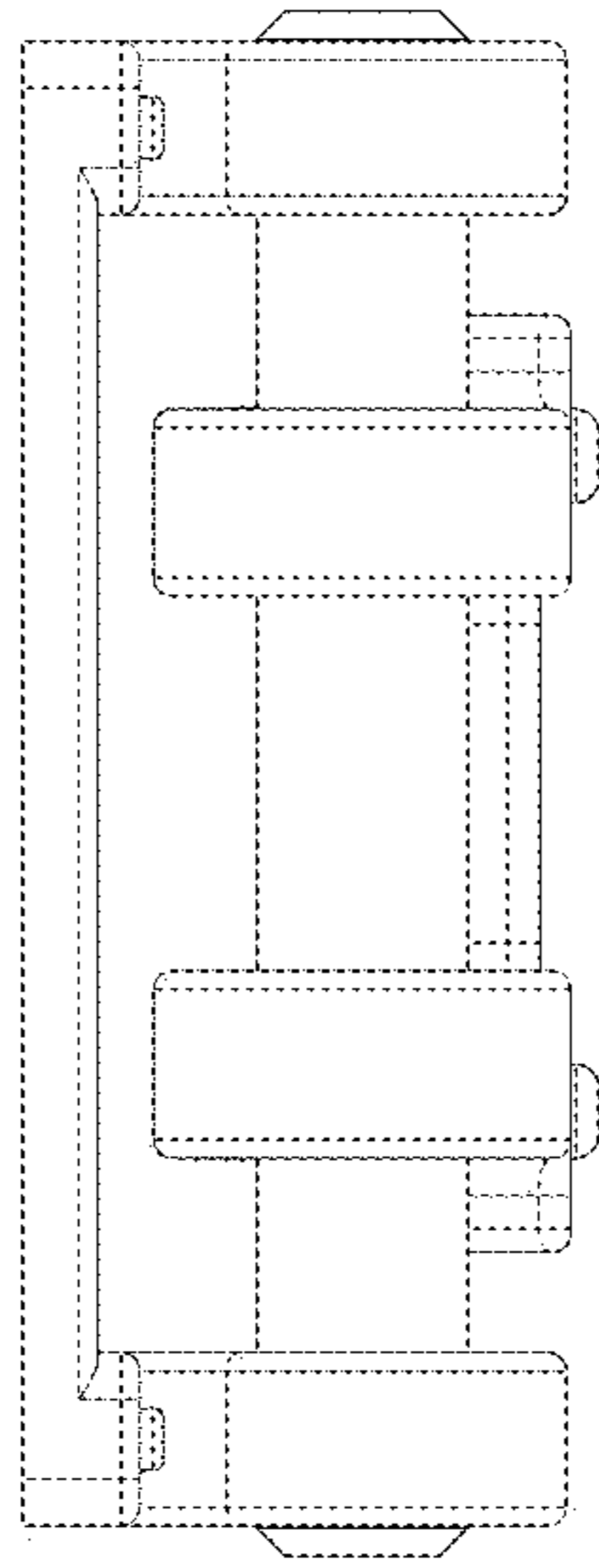


FIG. 7