



US00D956510S

(12) **United States Design Patent**  
**Mersky**

(10) **Patent No.:** **US D956,510 S**

(45) **Date of Patent:** **\*\* Jul. 5, 2022**

(54) **CABINET KNOB**

(71) Applicant: **Hardware Resources, Inc.**, Bossier City, LA (US)

(72) Inventor: **Stephanie Mersky**, Bossier City, LA (US)

(73) Assignee: **HARDWARE RESOURCES, INC.**, Bossier City, LA (US)

(\*\*) Term: **15 Years**

(21) Appl. No.: **29/652,963**

(22) Filed: **Jan. 23, 2021**

(51) **LOC (13) Cl.** ..... **08-06**

(52) **U.S. Cl.**  
USPC ..... **D8/310**

(58) **Field of Classification Search**  
USPC ..... D8/300, 307, 310; D7/393; D23/250, D23/252, 254  
CPC ... Y10T 292/57; Y10T 16/469; Y10T 292/82; Y10T 74/2084; Y10T 292/85; Y10T 16/458; Y10T 16/506; Y10T 70/5155; Y10T 16/46; Y10T 16/4559; Y10T 74/20828; Y10T 70/8541; Y10T 74/20612; Y10T 16/459; Y10T 16/487; Y10T 70/5389; Y10T 16/462; Y10T 16/4636; E05B 1/0007; E05B 3/00; Y10S 16/30; Y10S 292/53; Y10S 292/27  
See application file for complete search history.

(56) **References Cited**

**U.S. PATENT DOCUMENTS**

D361,492 S \* 8/1995 Chieda ..... D8/310  
D396,179 S \* 7/1998 Burns ..... D8/310

D544,778 S \* 6/2007 Mattson ..... D8/310  
D564,332 S \* 3/2008 McConnell ..... D8/310  
D565,385 S \* 4/2008 Jou ..... D8/307  
D569,220 S \* 5/2008 McConnell ..... D8/310  
D723,352 S \* 3/2015 Ramsland ..... D8/310  
D772,688 S \* 11/2016 Zimmer ..... D8/310  
D792,188 S \* 7/2017 Zimmer ..... D8/310  
D826,684 S \* 8/2018 Tseng ..... D8/310  
2004/0078933 A1 \* 4/2004 Forrest ..... A47B 95/02 16/417  
2009/0250948 A1 \* 10/2009 Forrest ..... E05B 1/0015 292/251.5  
2010/0139046 A1 \* 6/2010 Daniels ..... E05B 1/0015 16/417

\* cited by examiner

*Primary Examiner* — Lauren R Calve

(74) *Attorney, Agent, or Firm* — Schultz & Associates, P.C.

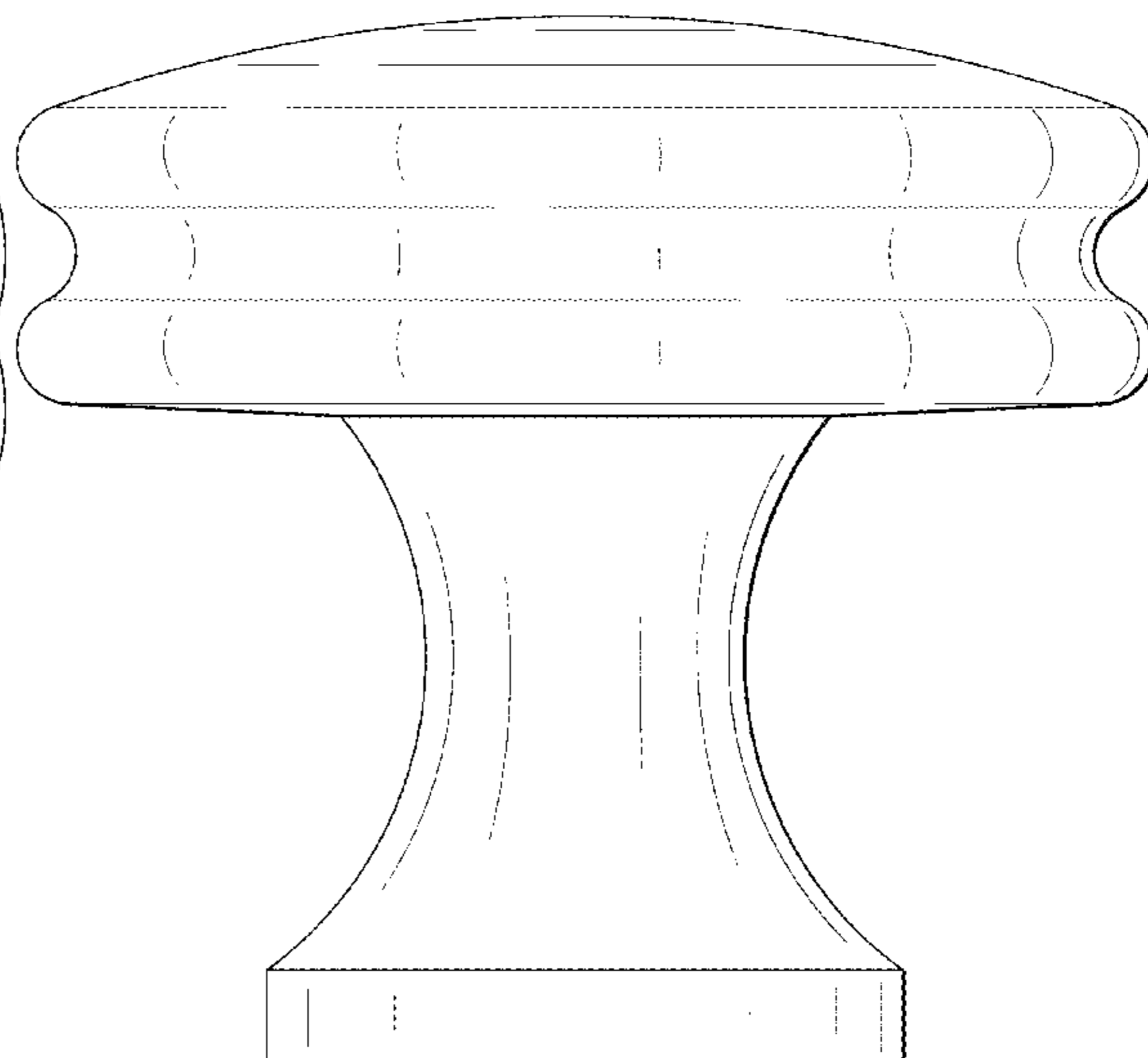
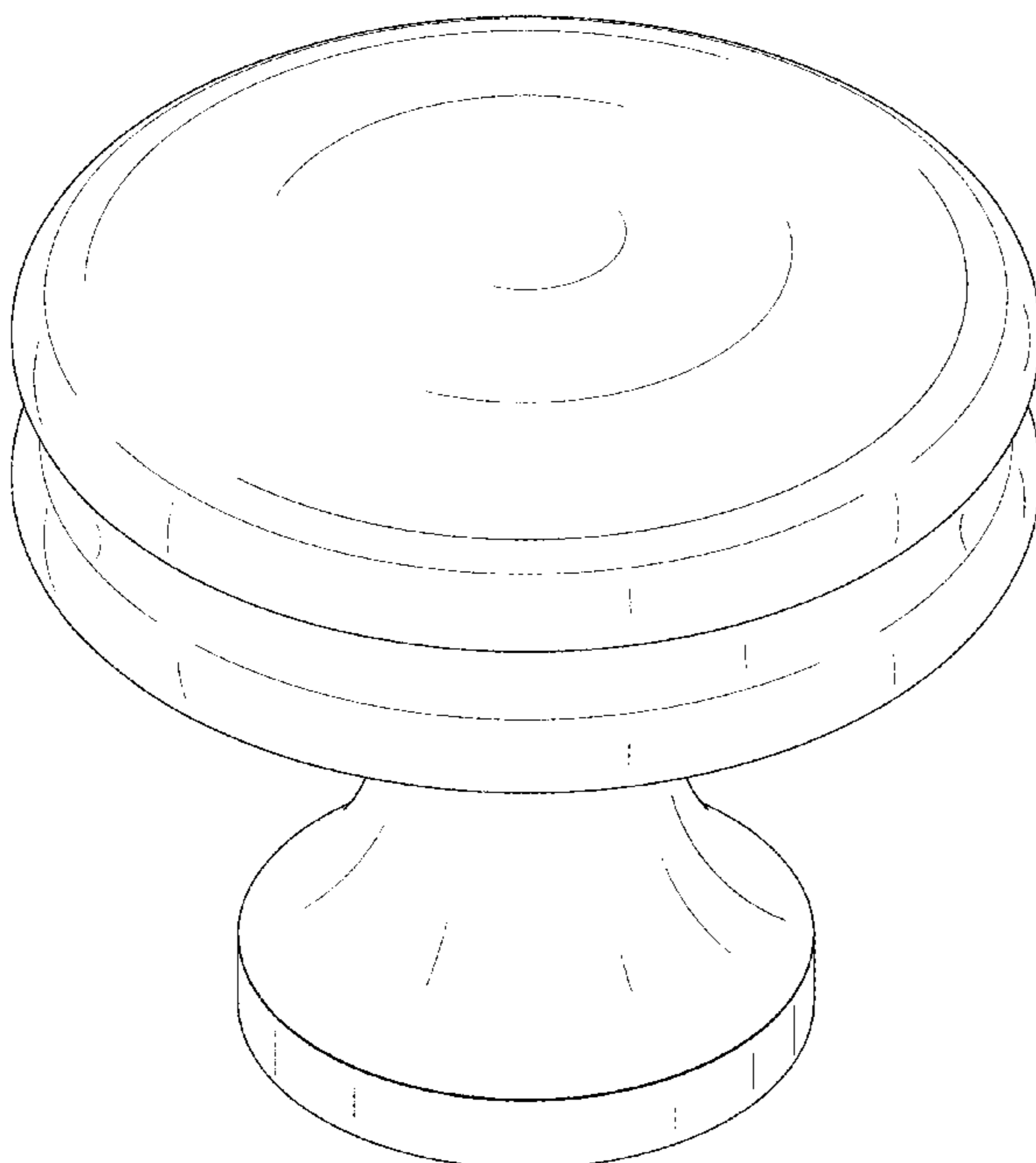
(57) **CLAIM**

The ornamental design for a cabinet knob, as shown and described.

**DESCRIPTION**

FIG. 1 is a front perspective view of a cabinet knob, shown independent of environment for ease of disclosure only; FIG. 2 is a side elevation view thereof, shown independent of environment for ease of disclosure only; FIG. 3 is a top plan view thereof, shown independent of environment for ease of disclosure only; FIG. 4 is a bottom plan view thereof, shown independent of environment for ease of disclosure only; and, FIG. 5 is a second perspective view of a cabinet knob, shown independent of environment for ease of disclosure only. The broken lines shown represent environment and form no part of the claimed design.

**1 Claim, 5 Drawing Sheets**



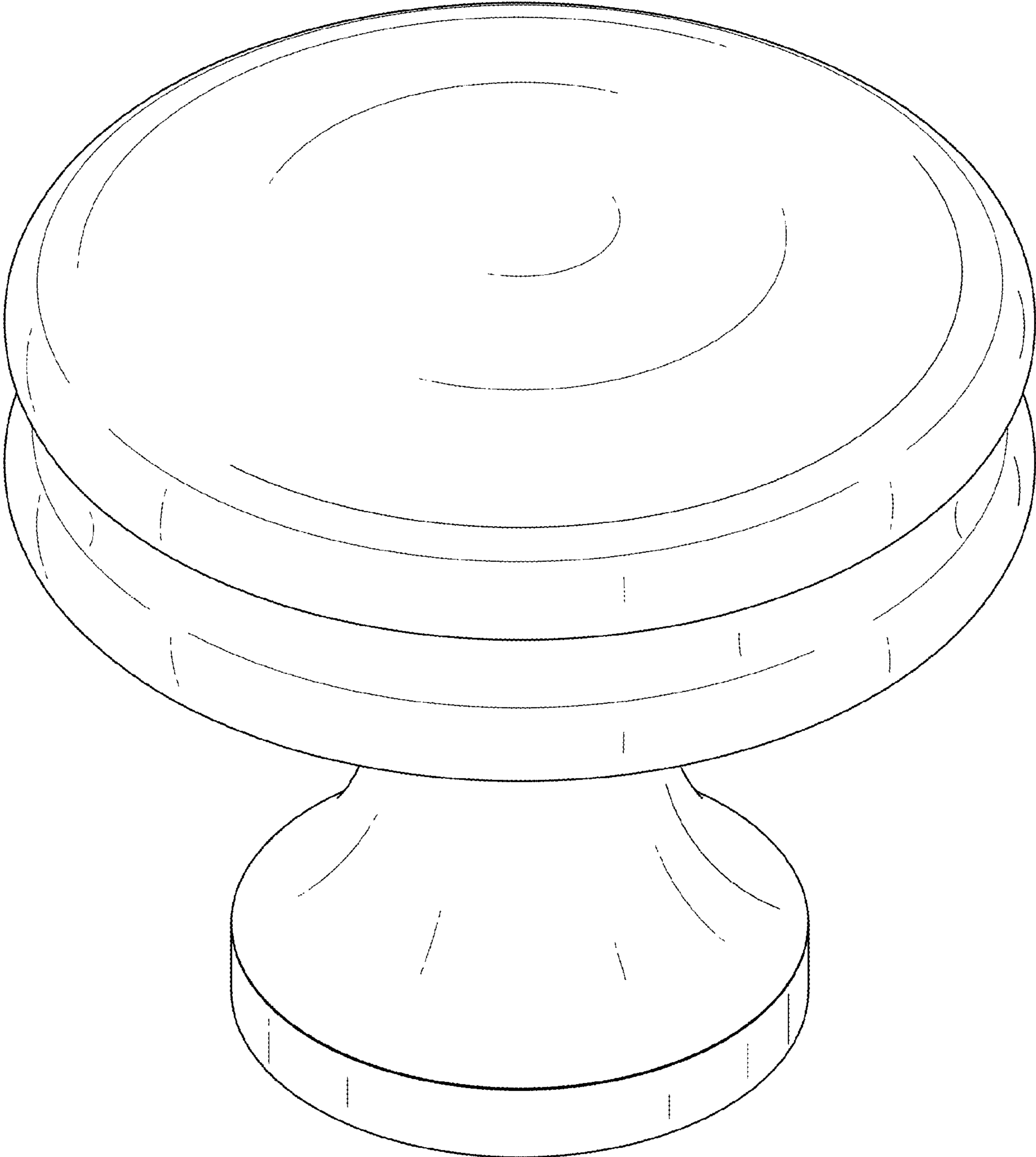


FIG. 1

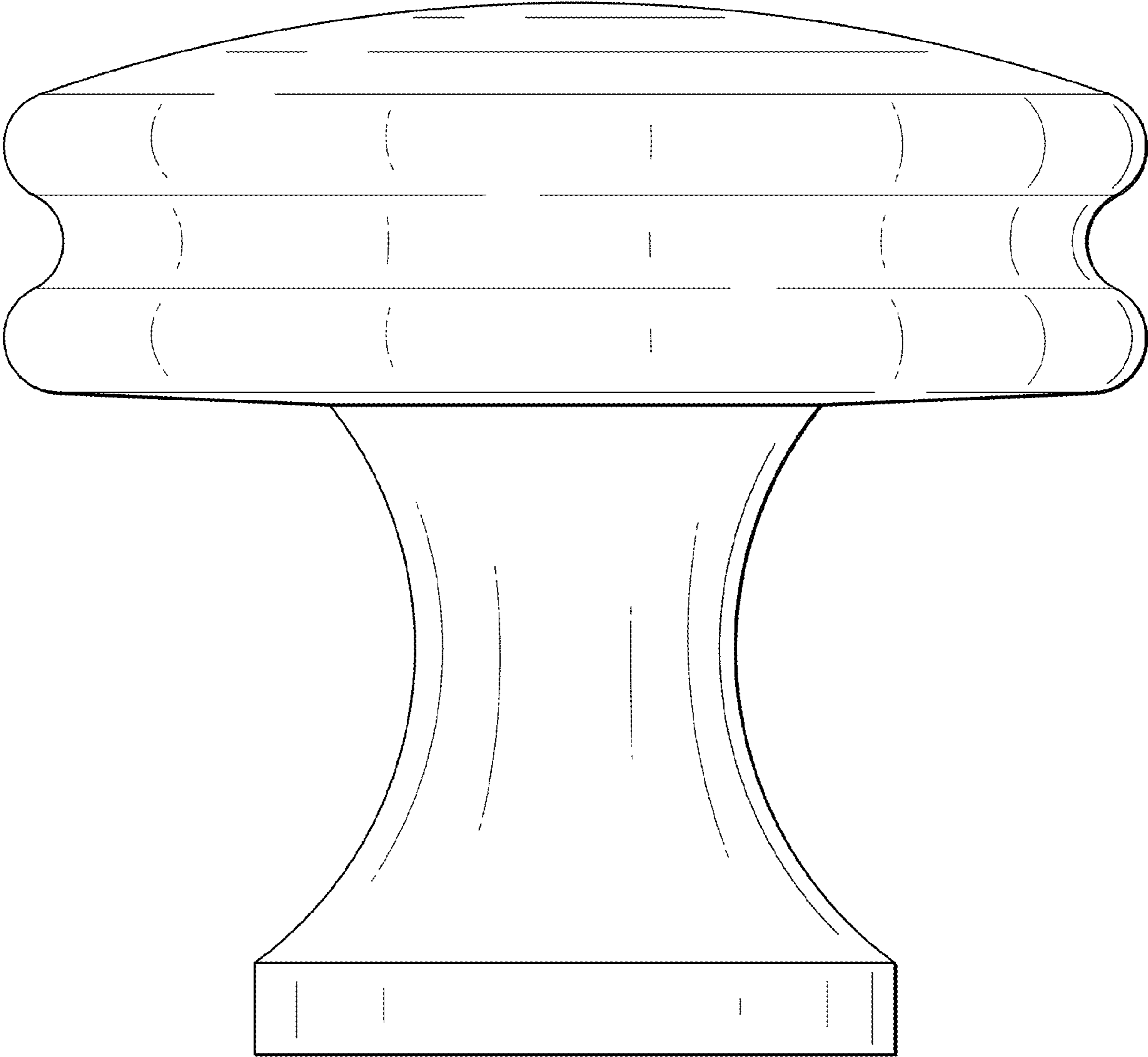


FIG. 2

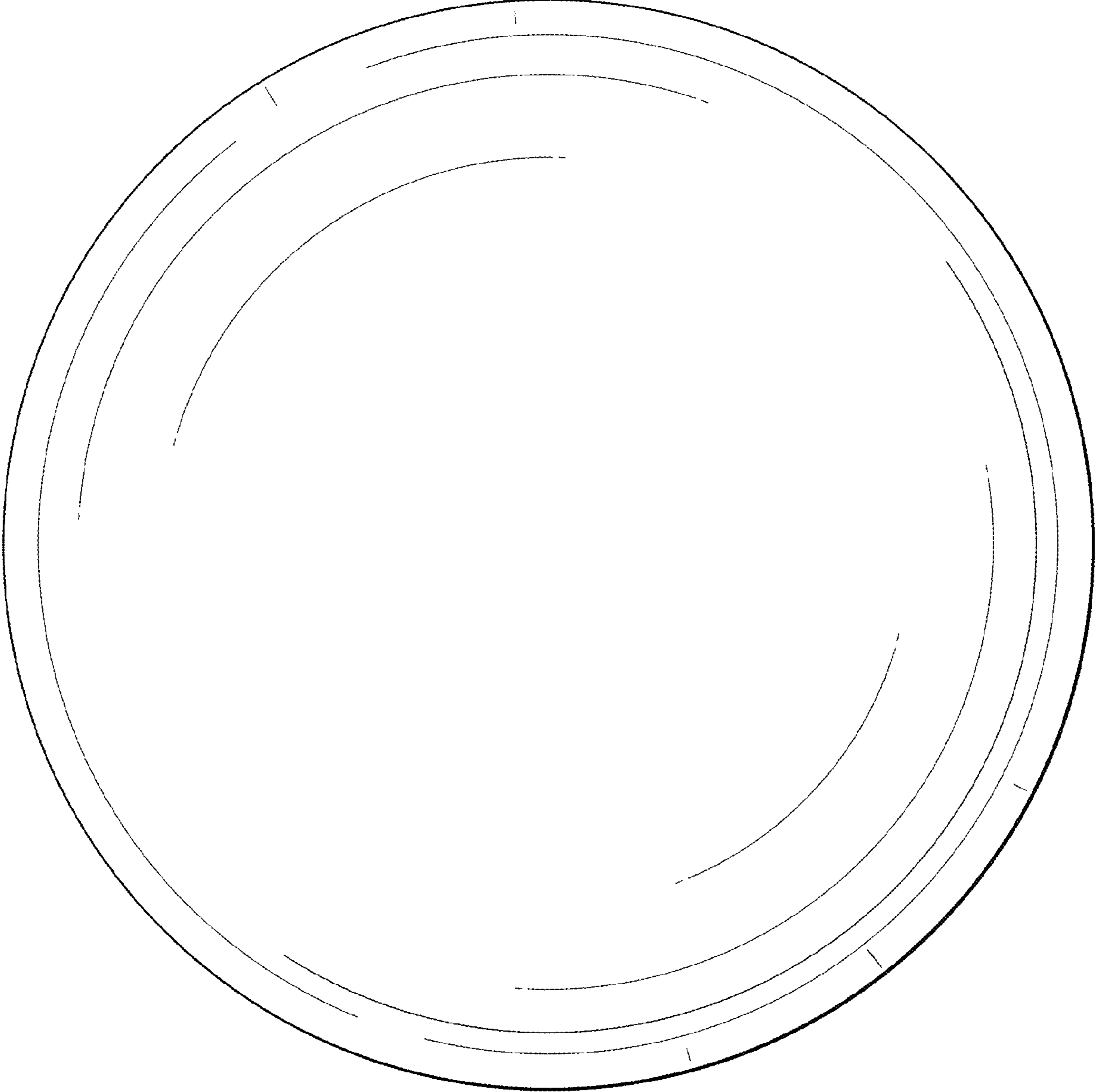


FIG. 3

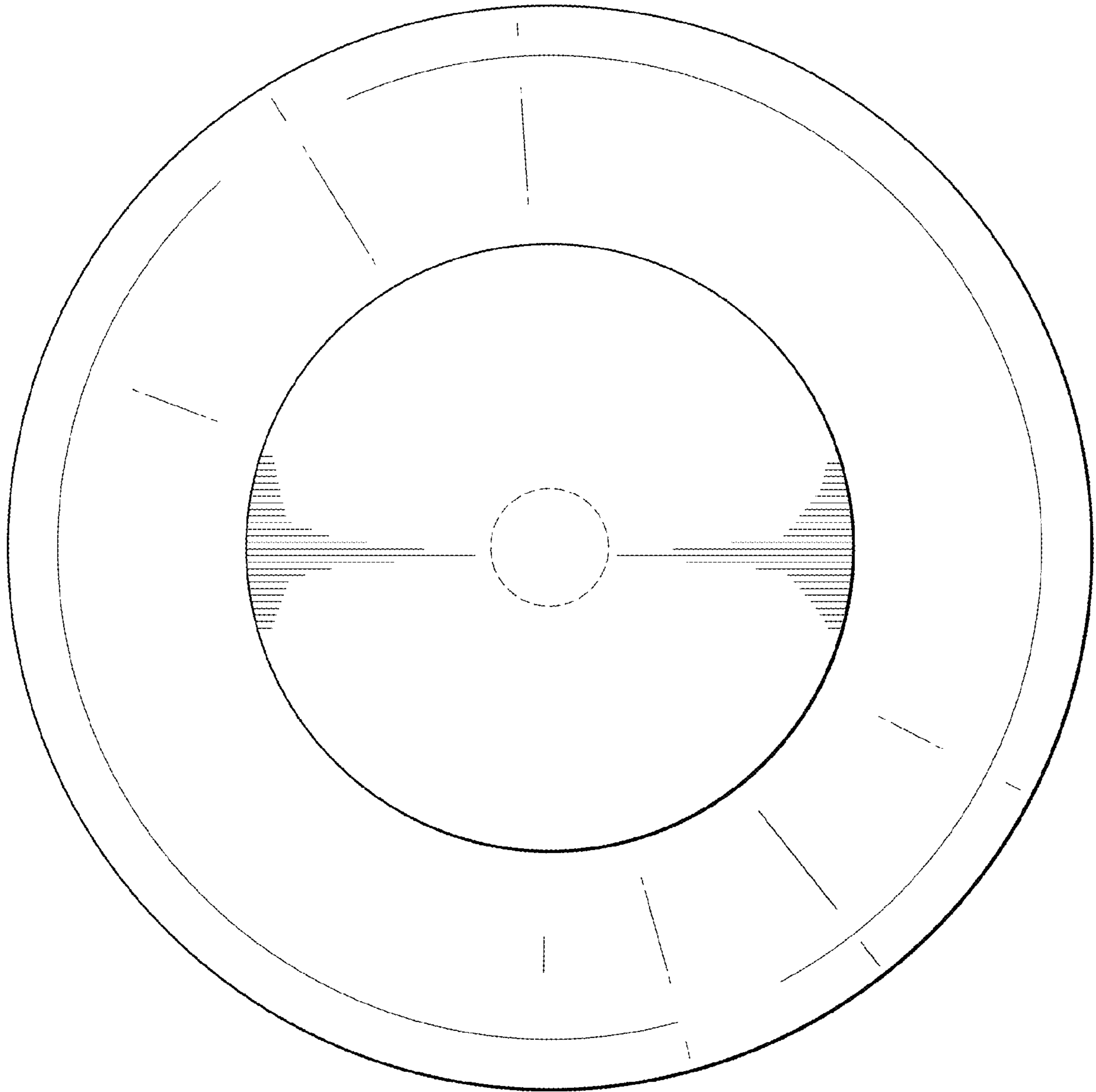


FIG. 4

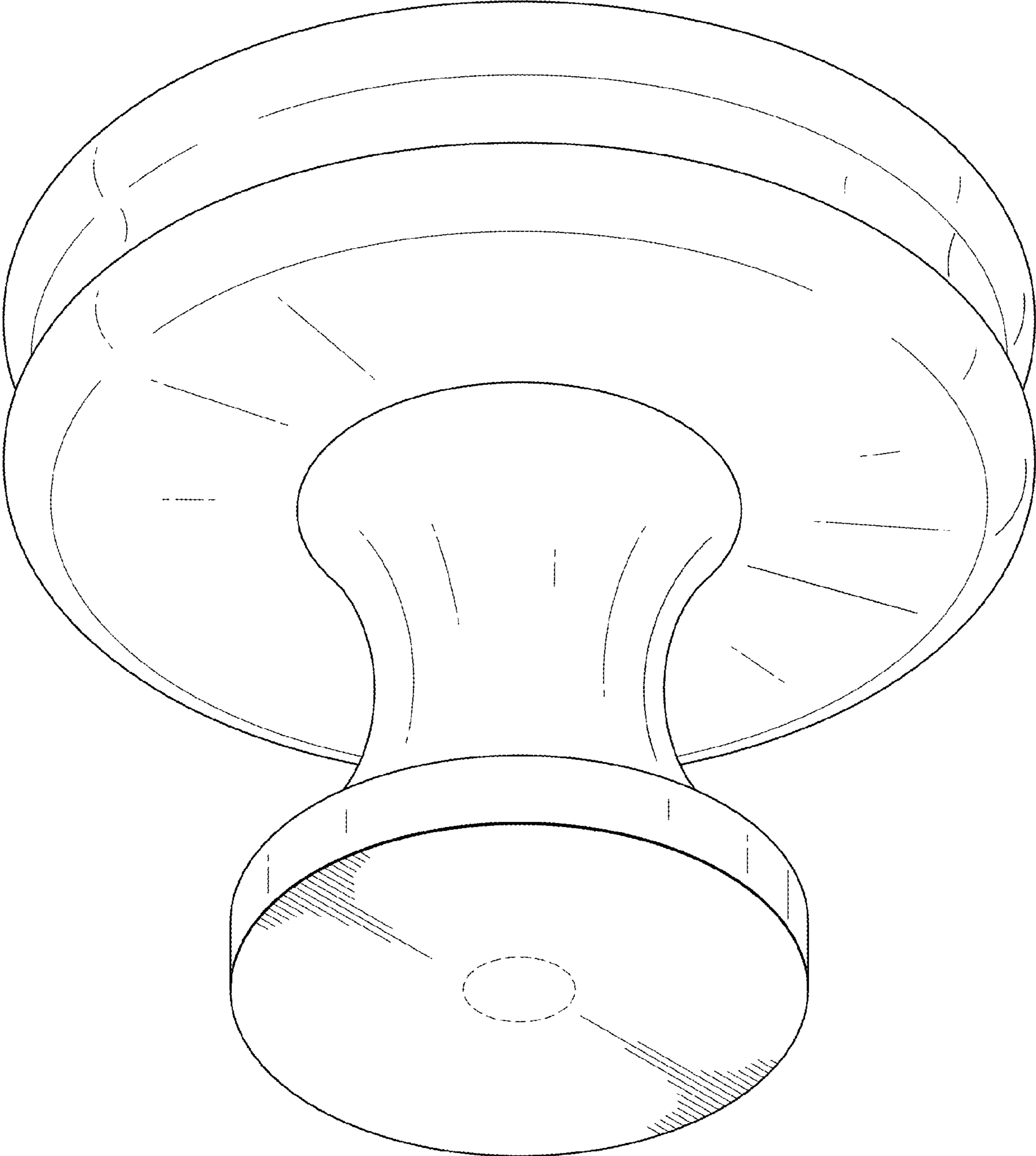


FIG. 5