



US00D956509S

(12) **United States Design Patent** (10) **Patent No.:** **US D956,509 S**
Zemel et al. (45) **Date of Patent:** **** Jul. 5, 2022**

(54) **FOOT OPERATED DOOR PULL** 3,009,214 A 11/1961 Thompson
 3,121,907 A 2/1964 Stebbins
 3,391,674 A * 7/1968 Burleigh A01K 1/035
 16/901
 D237,797 S 11/1975 Hermann
 5,983,454 A 11/1999 Hartselle, III
 D417,833 S 12/1999 Heithe
 6,289,557 B1 9/2001 Manson et al.
 6,360,488 B1 3/2002 Darling
 6,382,750 B1 * 5/2002 King A47B 95/00
 312/319.9
 7,043,799 B2 5/2006 Moody
 (**) **Term:** **15 Years** (Continued)

(21) **Appl. No.:** **29/833,629**
 (22) **Filed:** **Apr. 6, 2022**

Related U.S. Application Data

(62) Division of application No. 29/746,865, filed on Aug. 18, 2020.
 (51) **LOC (13) Cl.** **08-06**
 (52) **U.S. Cl.**
 USPC **D8/307**
 (58) **Field of Classification Search**
 USPC D8/300-302, 307, 308, 331, 343, 367,
 D8/371, 394, 395, 396, 398
 CPC Y10T 74/20612; Y10T 74/2014; Y10T
 74/20696; Y10T 74/20396; Y10T 74/206;
 Y10T 74/20618; Y10T 74/19251; Y10T
 74/2011; Y10T 29/49826; Y10T
 74/20213; Y10T 74/20822; Y10T 16/459;
 Y10S 292/27; Y10S 292/53; E05Y
 2201/244; E05Y 2400/86; E05F 11/54;
 E05F 15/616; E05B 1/0053; E05B
 1/0015; E05B 1/0069
 See application file for complete search history.

(56) **References Cited**
 U.S. PATENT DOCUMENTS
 842,081 A 1/1907 Clark
 2,737,408 A 3/1956 Pierce

OTHER PUBLICATIONS

Nemco 69811 Clean Getaway Stainless Steel Hands-Free Forearm Door Opener, retrieved from www.webrestaurantstore.com on Dec. 1, 2020 (6 pages).
 (Continued)

Primary Examiner — Lauren R Calve
 (74) *Attorney, Agent, or Firm* — Carter, DeLuca & Farrell LLP

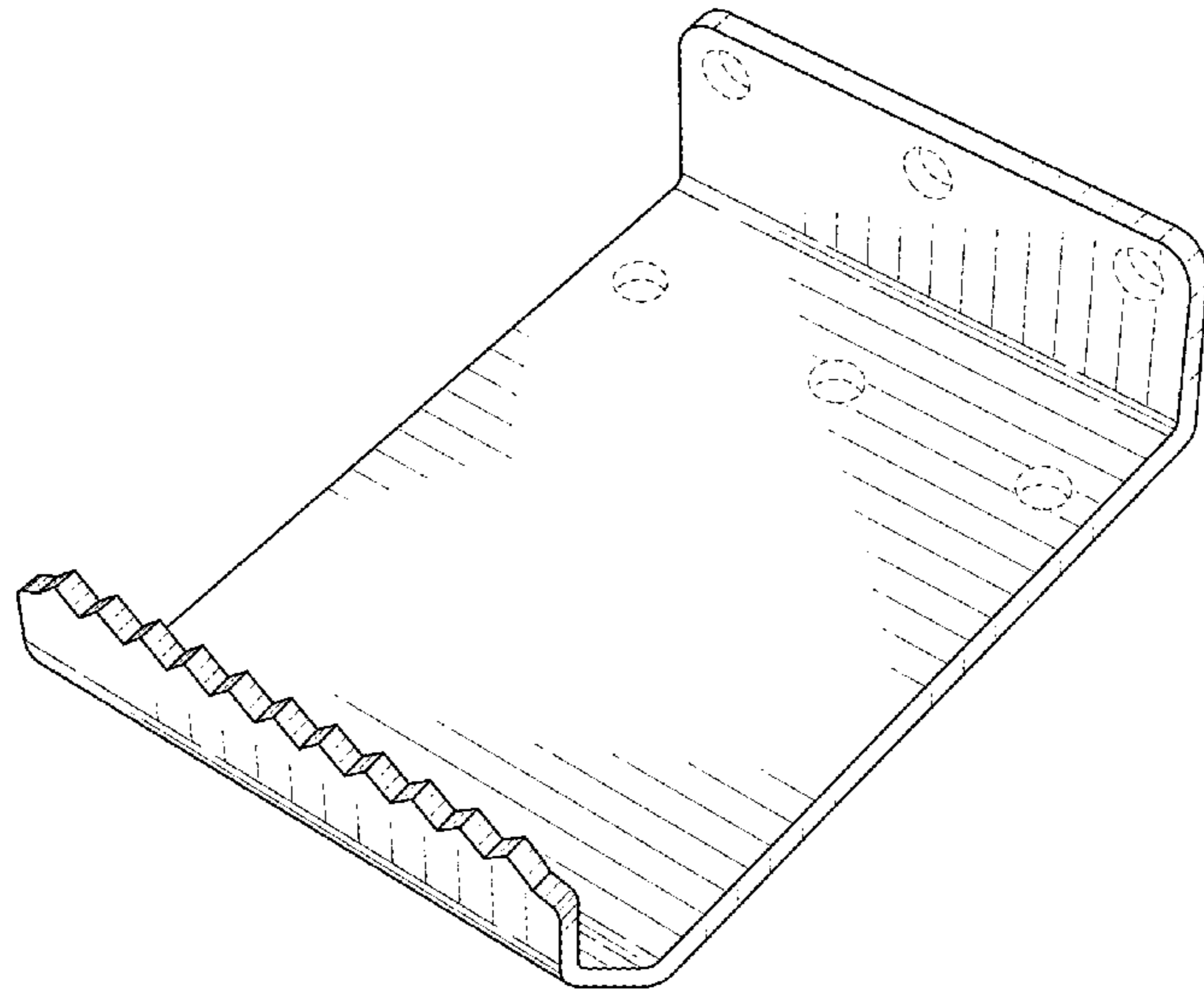
(57) **CLAIM**

The ornamental design for a foot operated door pull, as shown and described.

DESCRIPTION

FIG. 1 is a top perspective view of a foot operated door pull in accordance with the present design;
 FIG. 2 is a right side elevational view thereof;
 FIG. 3 is a left side elevational view thereof;
 FIG. 4 is a front elevational view thereof;
 FIG. 5 is a rear elevational view thereof;
 FIG. 6 is a top plan view thereof; and,
 FIG. 7 is a bottom plan view thereof.
 The broken lines shown in the drawings illustrate portions of the foot operated door pull that form no part of the claimed design.

1 Claim, 3 Drawing Sheets



(56)

References Cited

U.S. PATENT DOCUMENTS

D595,560 S 7/2009 Miska
 D601,880 S 10/2009 Weilleux
 D646,549 S 10/2011 Mussi
 D659,507 S * 5/2012 Metz D8/343
 9,115,530 B2 8/2015 Michael et al.
 9,822,572 B2 11/2017 Brown
 D859,956 S 9/2019 McNaughton
 D939,935 S 1/2022 Tang
 D940,528 S 1/2022 Zutler
 D941,114 S * 1/2022 Madden D8/308
 D942,239 S * 2/2022 Stringer D8/307
 D945,245 S 3/2022 Bennett
 2004/0261226 A1 * 12/2004 Moody E05B 53/001
 16/413
 2005/0005402 A1 * 1/2005 Moody E05B 53/001
 16/413
 2009/0145037 A1 6/2009 Michael
 2013/0118085 A1 5/2013 Hedemark
 2014/0197648 A1 7/2014 Brown

2016/0076295 A1 3/2016 Boyd
 2016/0340929 A1 11/2016 Gagnon
 2019/0128022 A1 5/2019 Markway
 2020/0071962 A1 3/2020 Markway
 2021/0310273 A1 * 10/2021 Askren E05B 1/0015
 2021/0332614 A1 * 10/2021 Taylor E05B 51/02
 2021/0404235 A1 * 12/2021 Hamamoto E05B 53/001
 2022/0010585 A1 * 1/2022 Lin E05B 53/001

OTHER PUBLICATIONS

Restroom Direct Arm Pull, retrieved from www.restroomdirect.com on Dec. 1, 2020 (5 pages).
 Speedway Motors Hands-Free Sanitary Arm Pull and Foot Door Openers, retrieved from www.speedwaymotors.com on Dec. 1, 2020 (5 pages).
 Nemco 69813 Clean Getaway Stainless Steel Hands-Free Foot Door Opener, retrieved from www.webstaurantstore.com on Dec. 1, 2020 (6 pages).

* cited by examiner

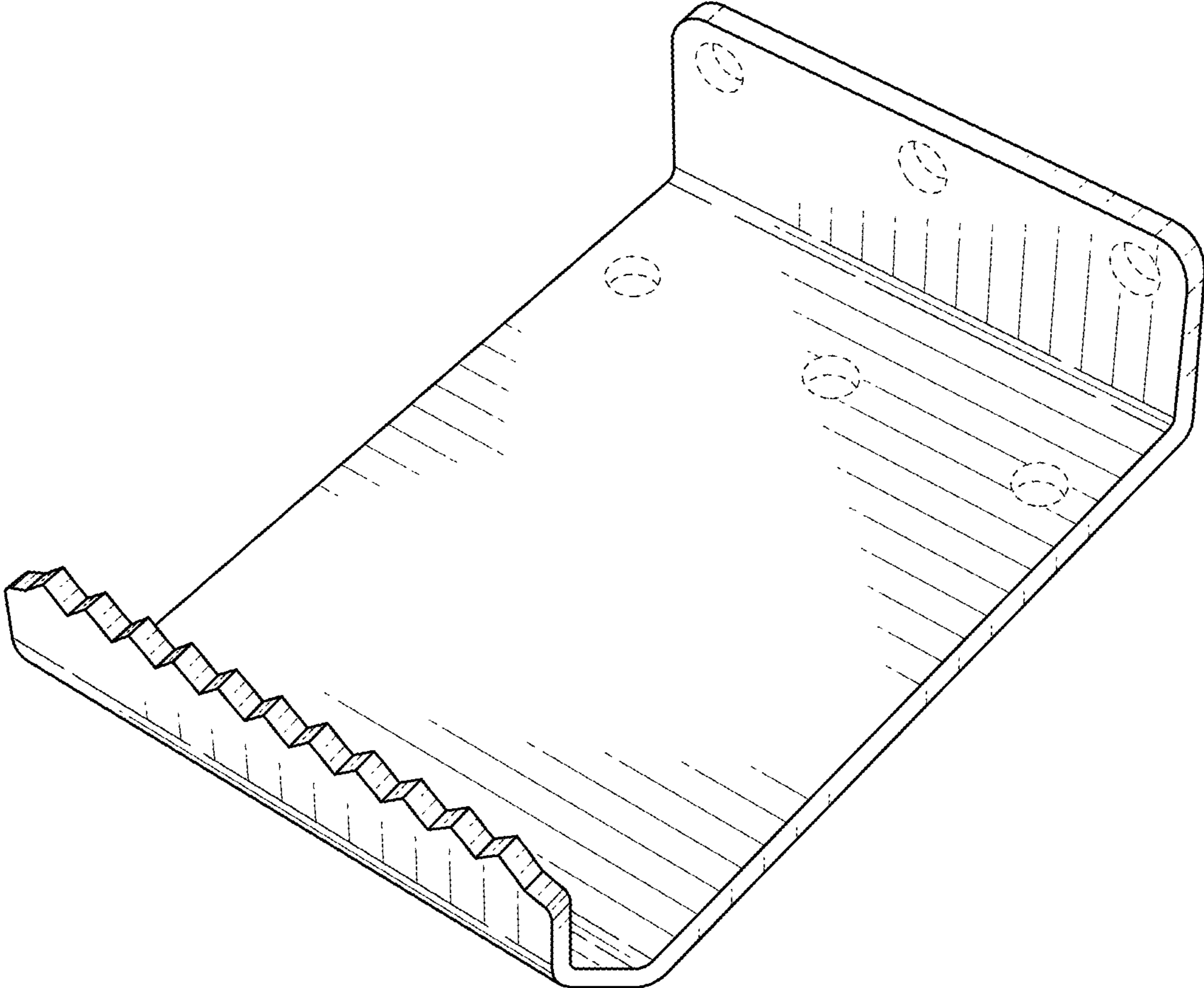


FIG. 1

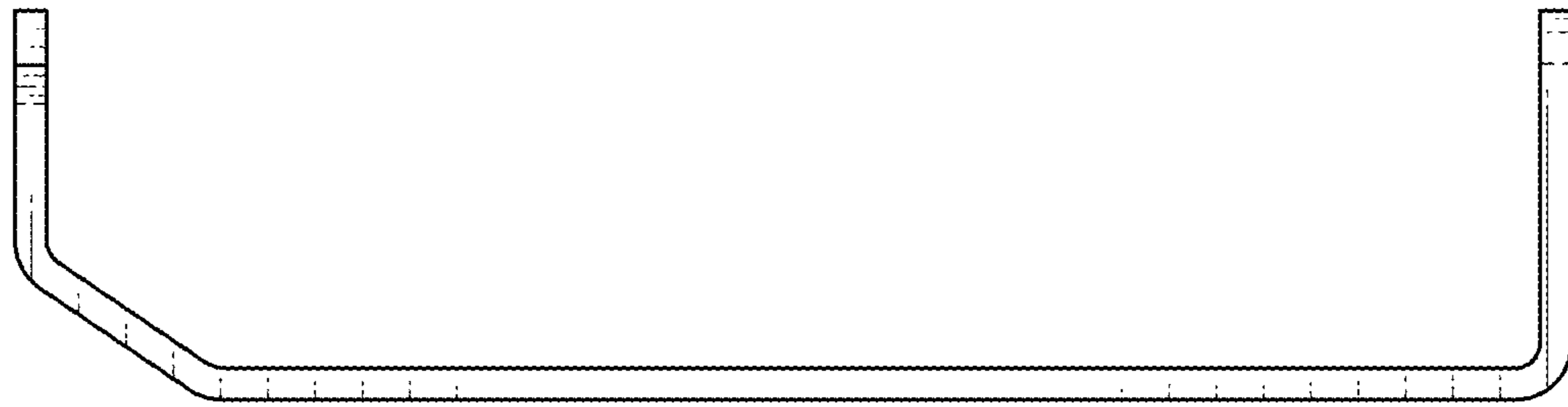


FIG. 2



FIG. 3

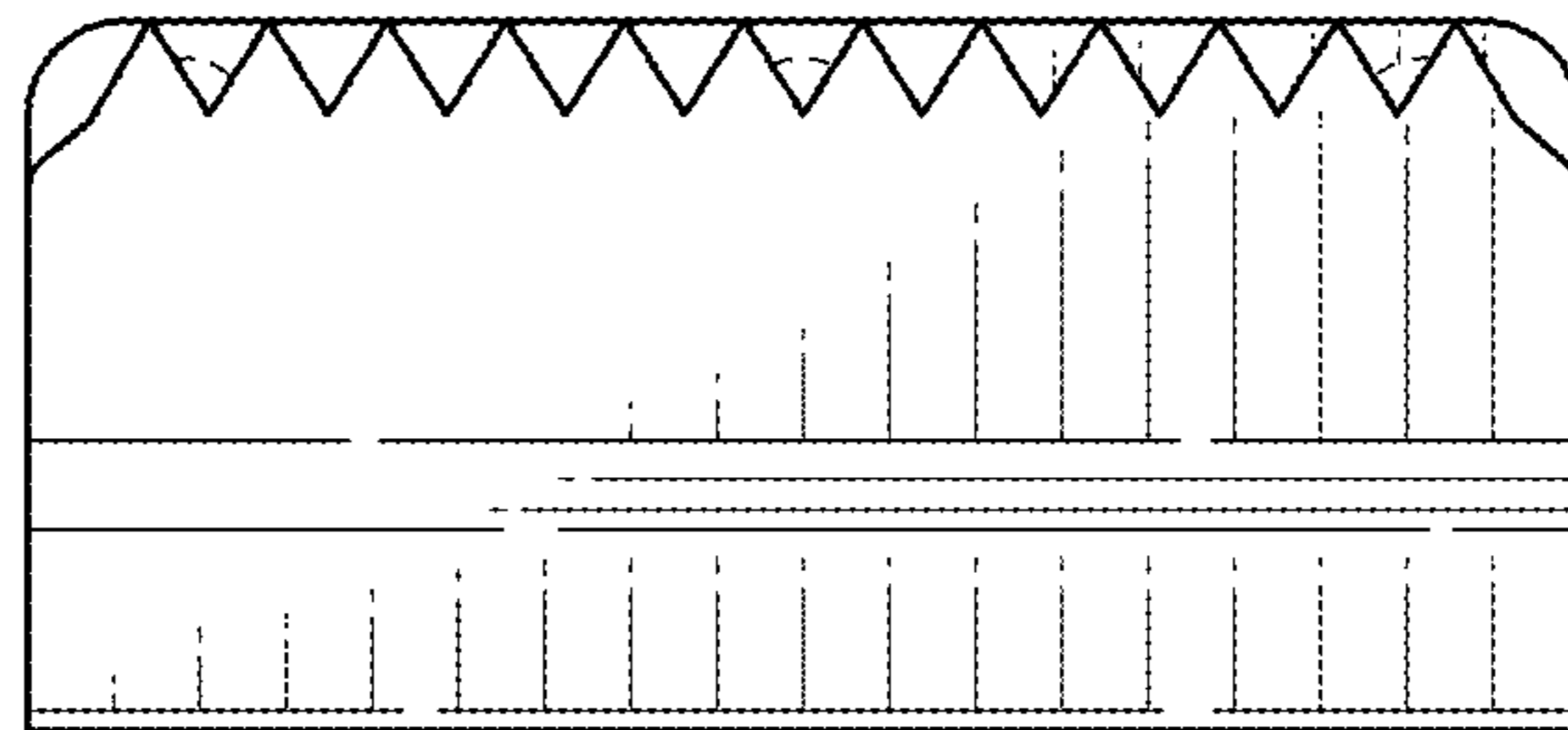


FIG. 4

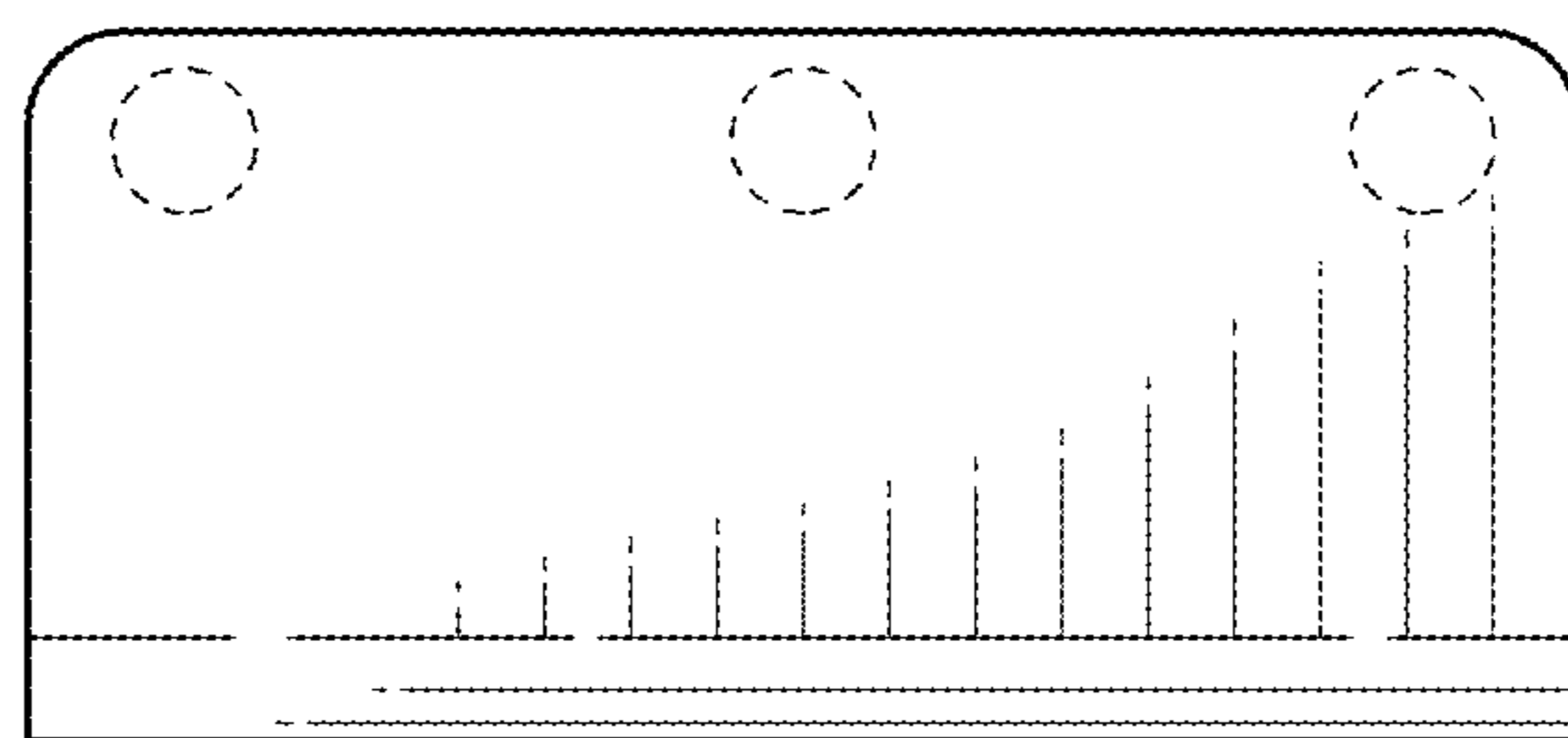


FIG. 5

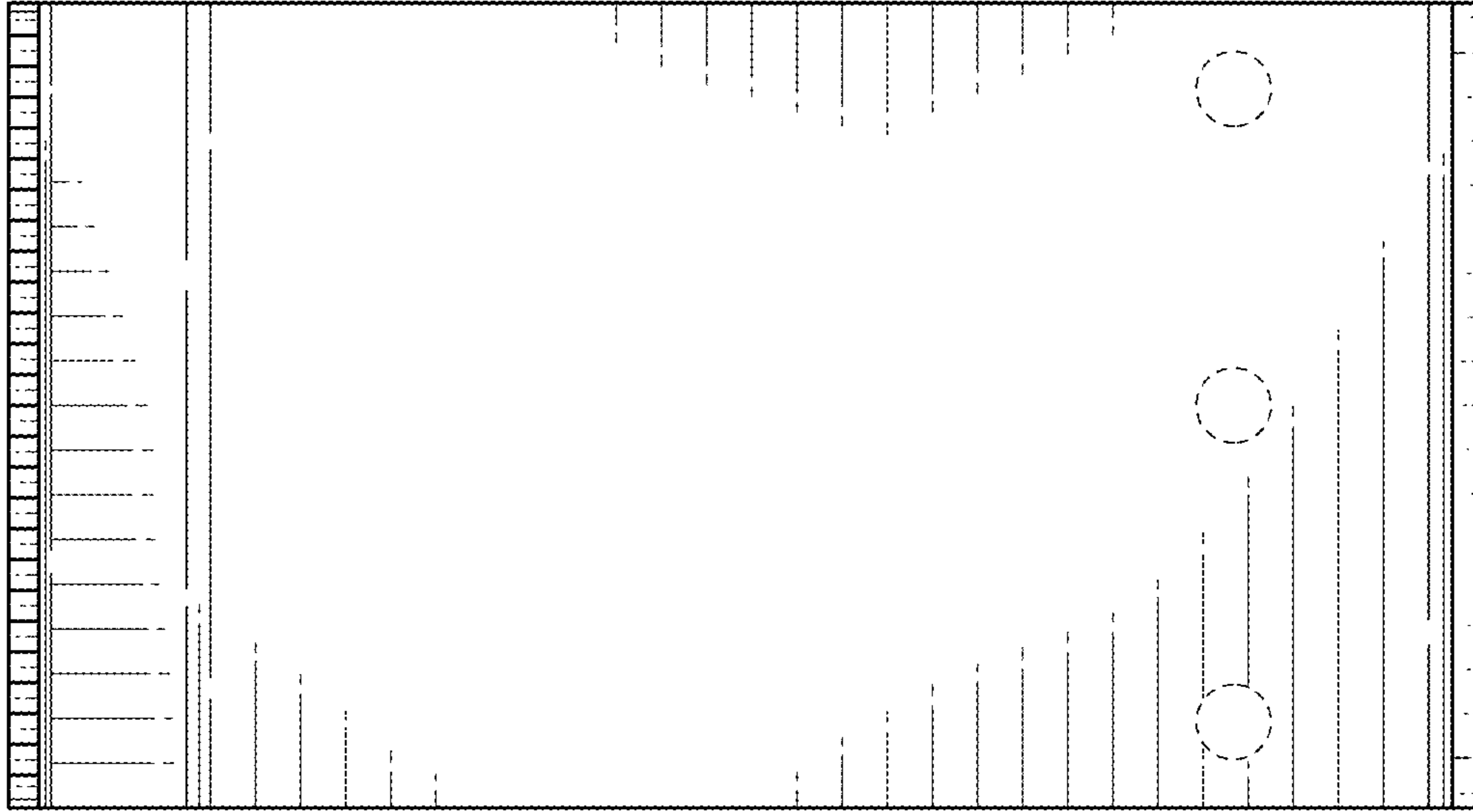


FIG. 6

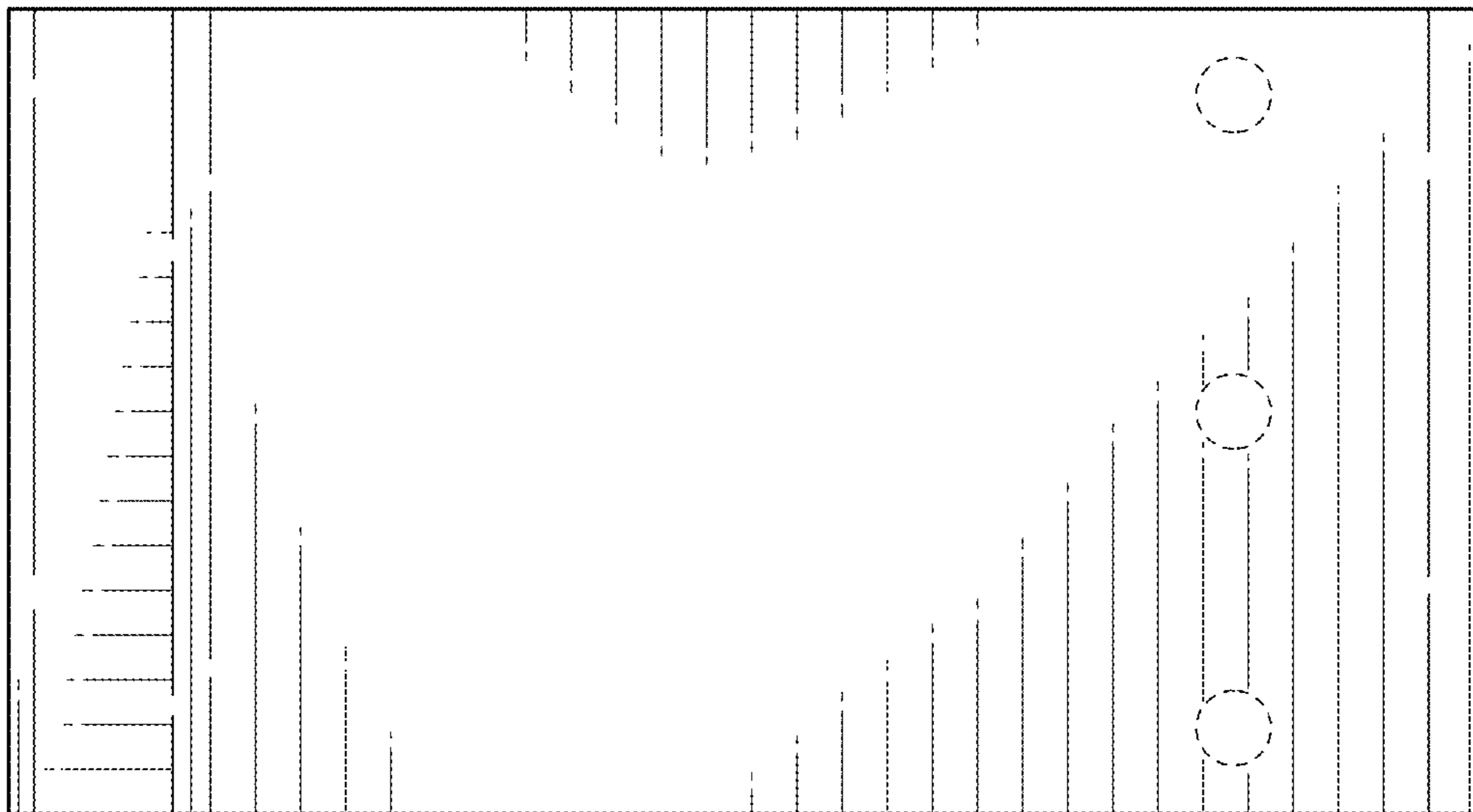


FIG. 7