



US00D956508S

(12) **United States Design Patent**
Stoler et al.

(10) **Patent No.:** **US D956,508 S**
(45) **Date of Patent:** **** Jul. 5, 2022**

- (54) **KNOB**
- (71) Applicant: **DELTA FAUCET COMPANY**,
Indianapolis, IN (US)
- (72) Inventors: **Benjamin Stoler**, Carmel, IN (US);
Simon Elser, Indianapolis, IN (US)
- (73) Assignee: **DELTA FAUCET COMPANY**,
Indianapolis, IN (US)
- (**) Term: **15 Years**
- (21) Appl. No.: **29/766,445**
- (22) Filed: **Jan. 15, 2021**
- (51) **LOC (13) Cl.** **08-06**
- (52) **U.S. Cl.**
USPC **D8/307**
- (58) **Field of Classification Search**
USPC D8/300, 307, 310; D7/393; D23/250,
D23/252, 254
CPC ... Y10T 292/57; Y10T 16/469; Y10T 292/82;
Y10T 74/2084; Y10T 292/85; Y10T
16/458; Y10T 16/506; Y10T 70/5155;
Y10T 16/46; Y10T 16/4559; Y10T
74/20828; Y10T 70/8541; Y10T
74/20612; Y10T 16/459; Y10T 16/487;
Y10T 70/5389; Y10T 16/462; Y10T
16/4636; E05B 1/0007; E05B 3/00; Y10S
16/30; Y10S 292/53; Y10S 292/27
See application file for complete search history.

- D235,617 S * 7/1975 Tegner D8/307
- 4,552,001 A * 11/1985 Roop E05B 5/003
70/417
- 5,882,053 A * 3/1999 Bekins E05B 1/003
292/336.3
- D605,024 S * 12/2009 Cotton D8/302
- D680,406 S * 4/2013 Ramsland D8/305
- D680,407 S * 4/2013 Ramsland D8/307
- D718,111 S * 11/2014 Han D8/307
- D755,035 S * 5/2016 Bahler D8/307
- D772,684 S * 11/2016 Zimmer D8/307

* cited by examiner

Primary Examiner — Lauren R Calve

(74) *Attorney, Agent, or Firm* — Nirav D. Parikh; Edgar
A. Zarins

- (56) **References Cited**
U.S. PATENT DOCUMENTS
1,611,753 A * 12/1926 Keeler E05B 1/00
292/347
2,068,922 A * 1/1937 Marchand A47B 95/02
16/417

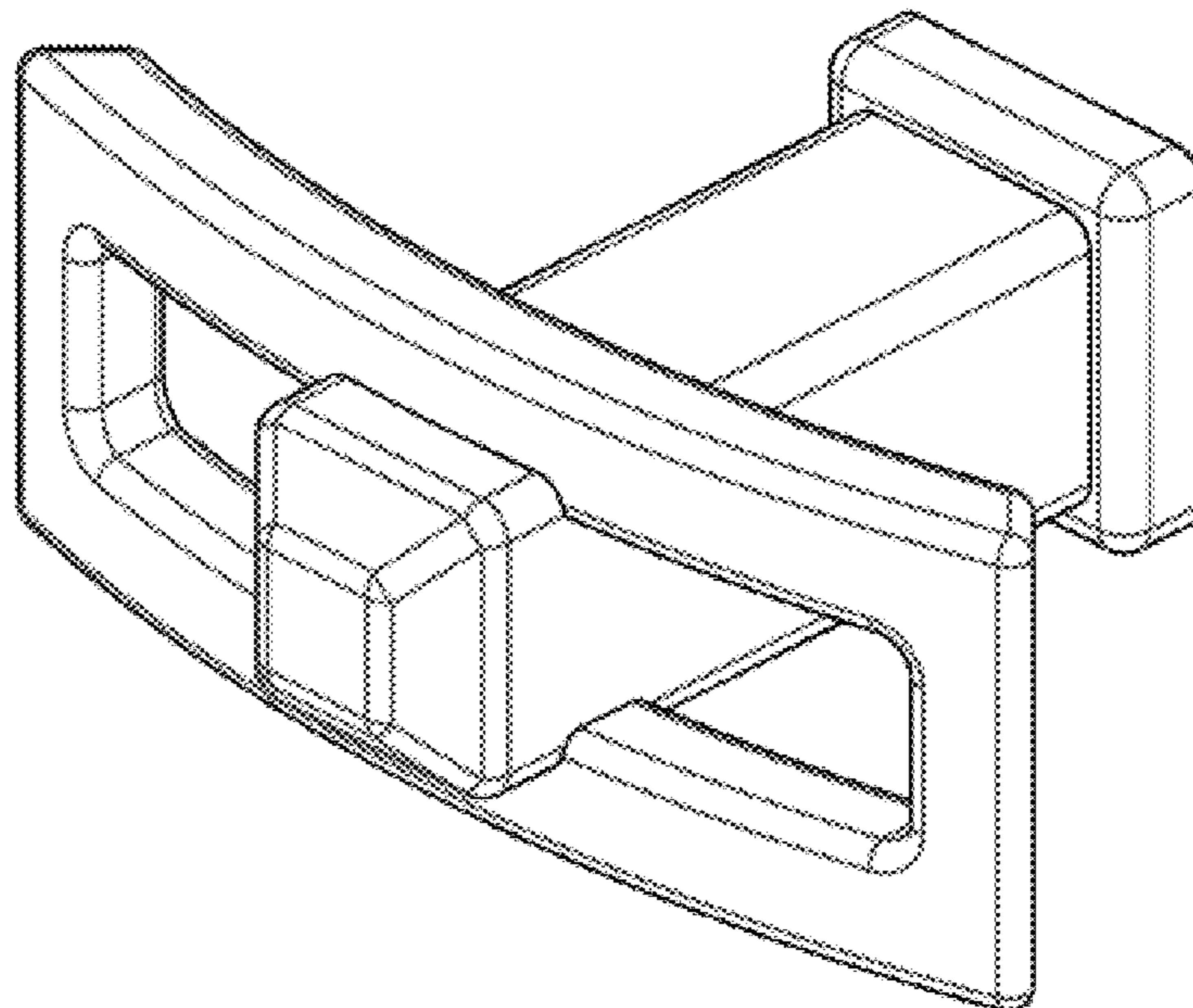
(57) **CLAIM**

The ornamental design for a knob, as shown and described.

DESCRIPTION

FIG. 1 is a front perspective view of a knob showing our new design;
 FIG. 2 is a rear perspective view thereof;
 FIG. 3 is a front elevational view thereof;
 FIG. 4 is a left side view thereof;
 FIG. 5 is a rear view thereof;
 FIG. 6 is a right side view thereof;
 FIG. 7 is a top plan view thereof; and,
 FIG. 8 is a bottom view thereof.

1 Claim, 4 Drawing Sheets



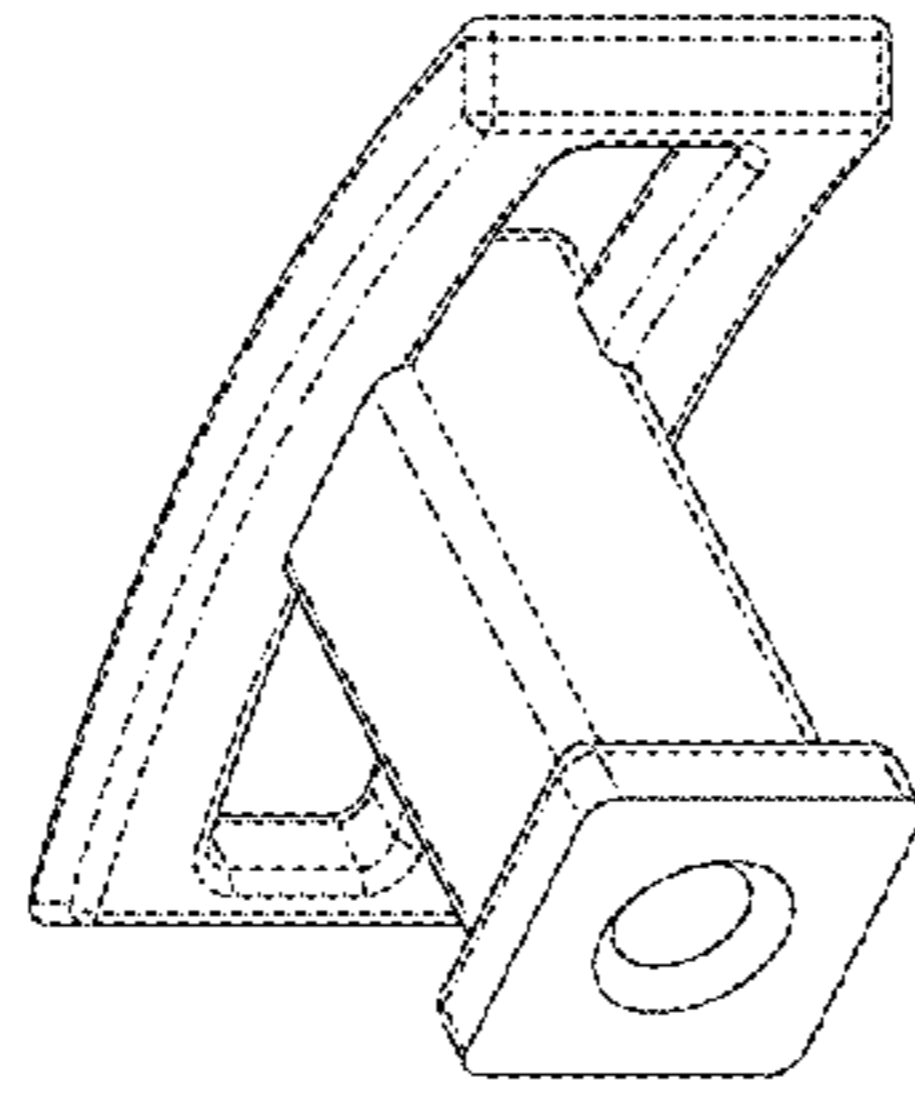


FIG - 2

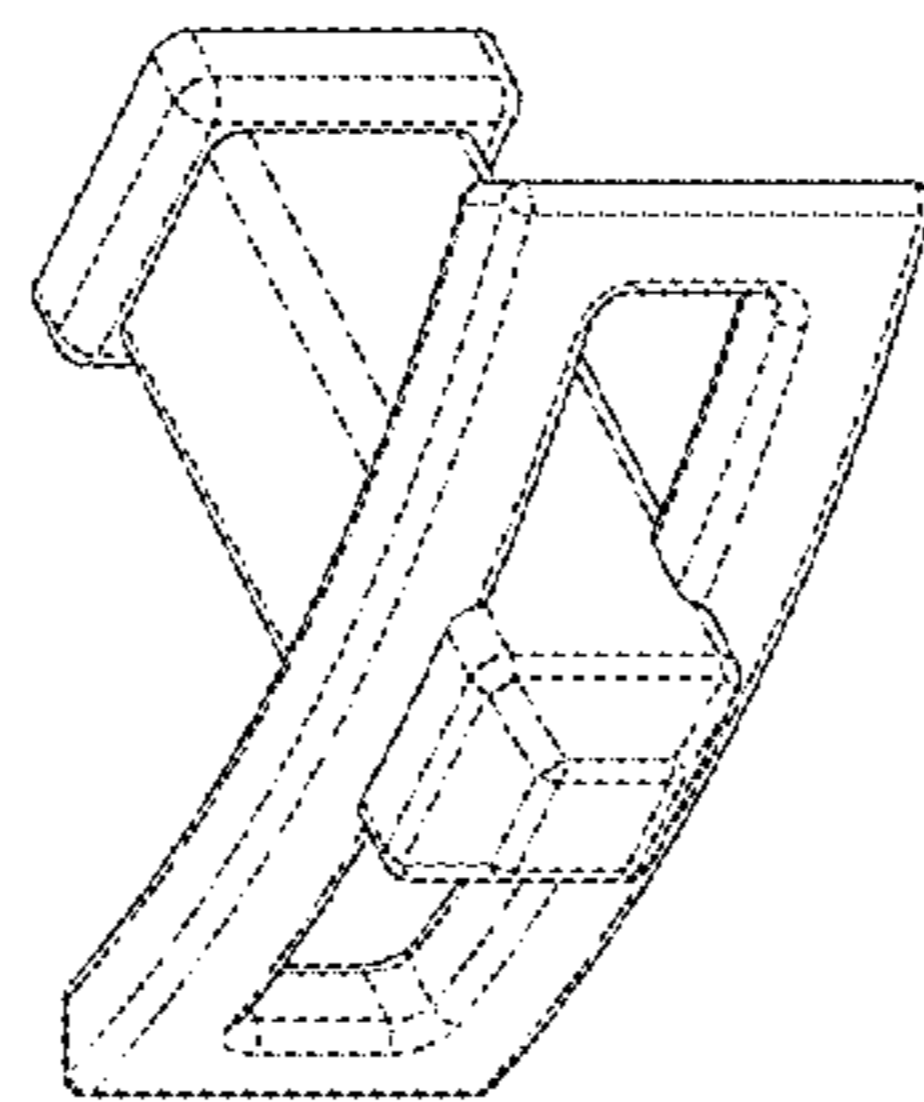


FIG - 1

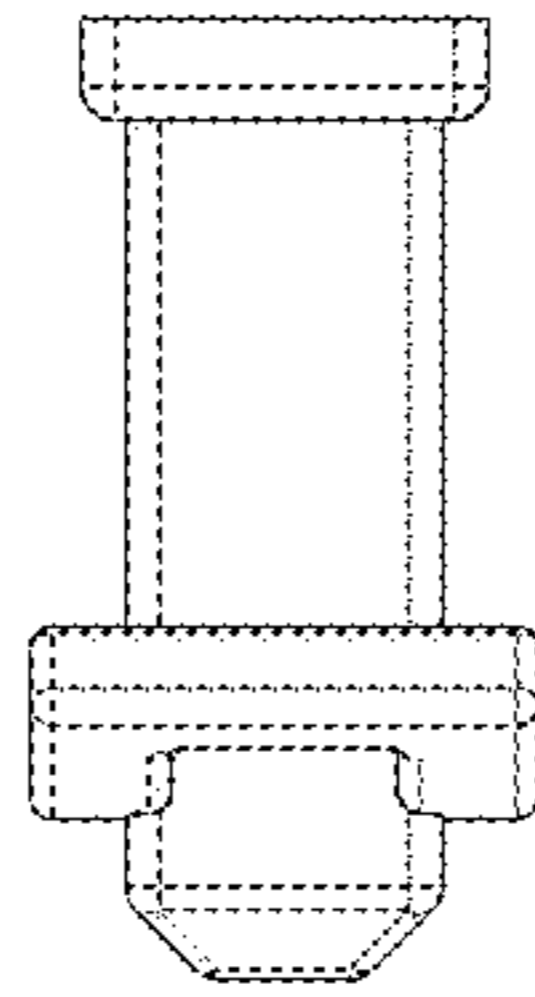


FIG - 4

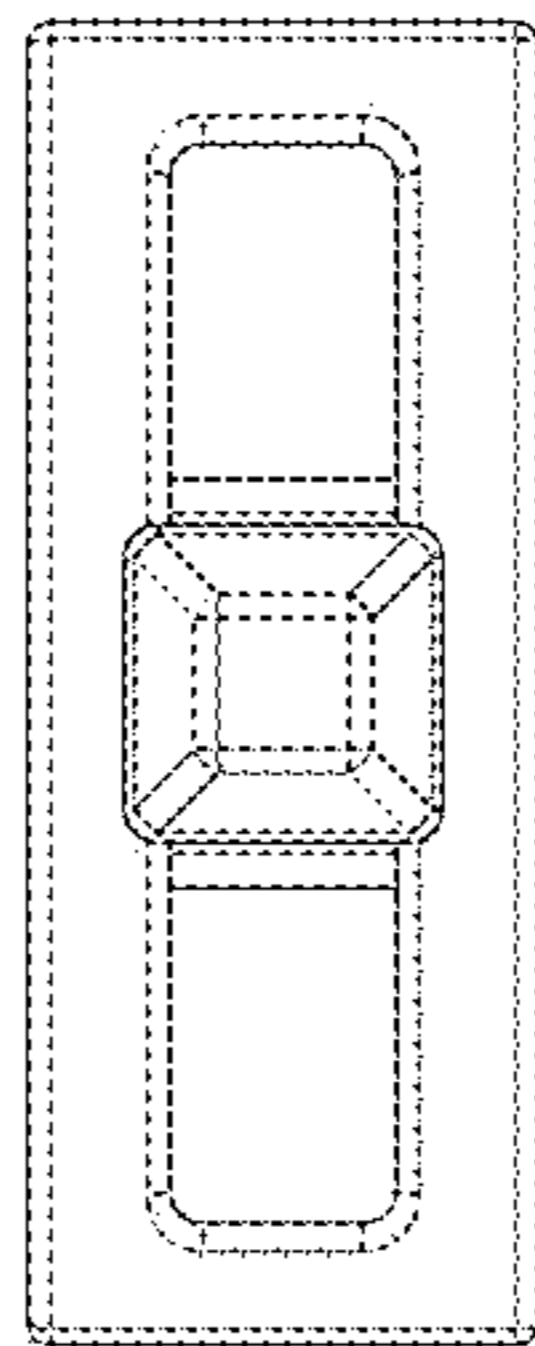


FIG - 3

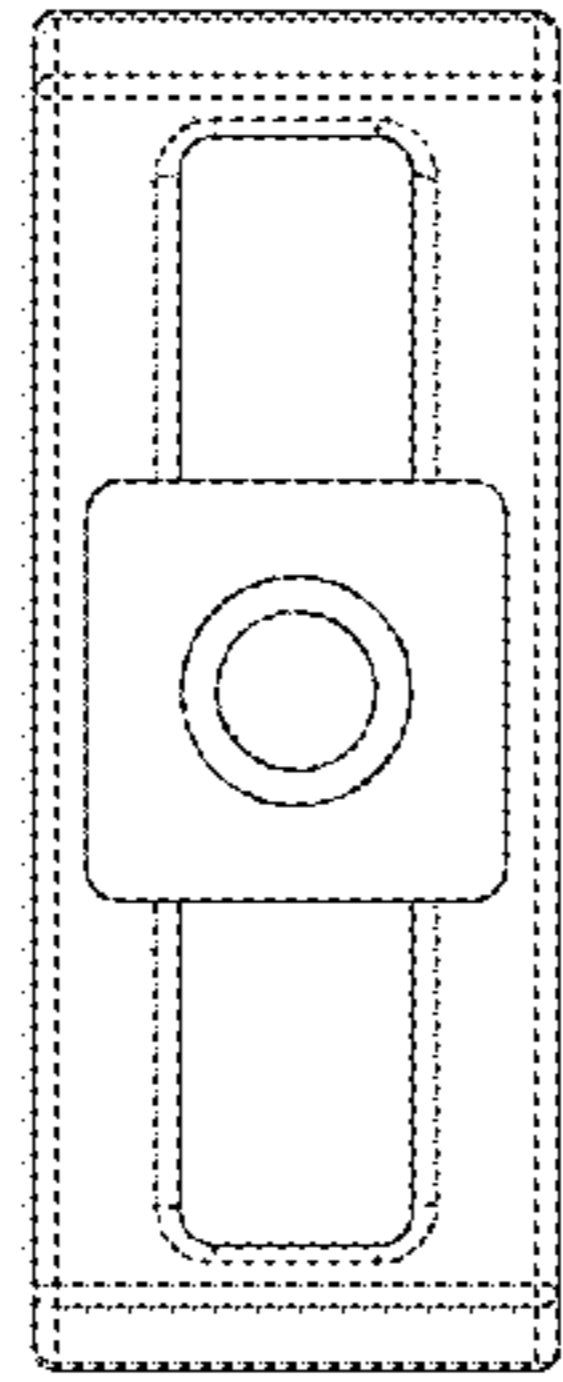


FIG - 6

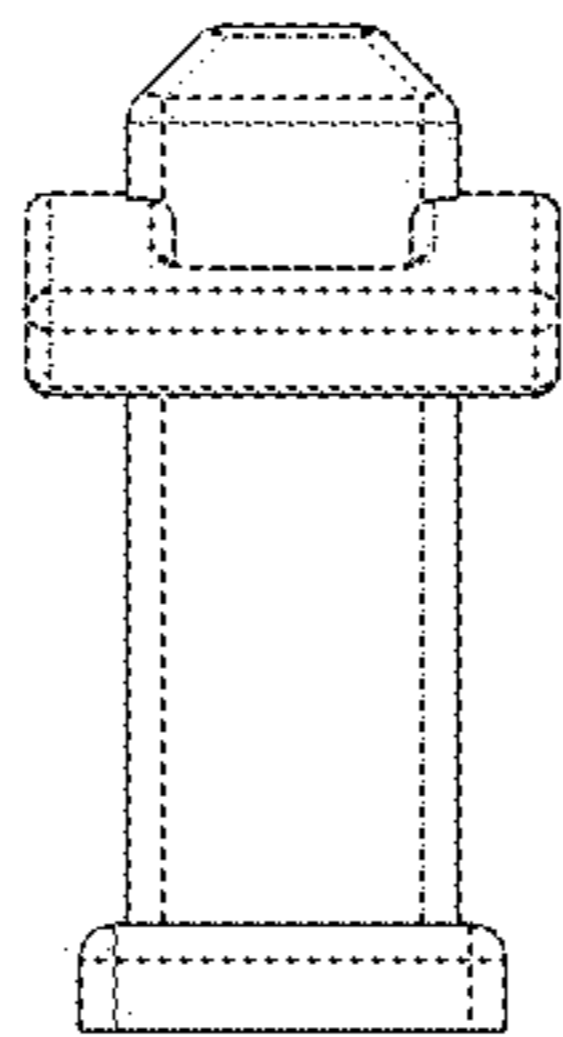


FIG - 5

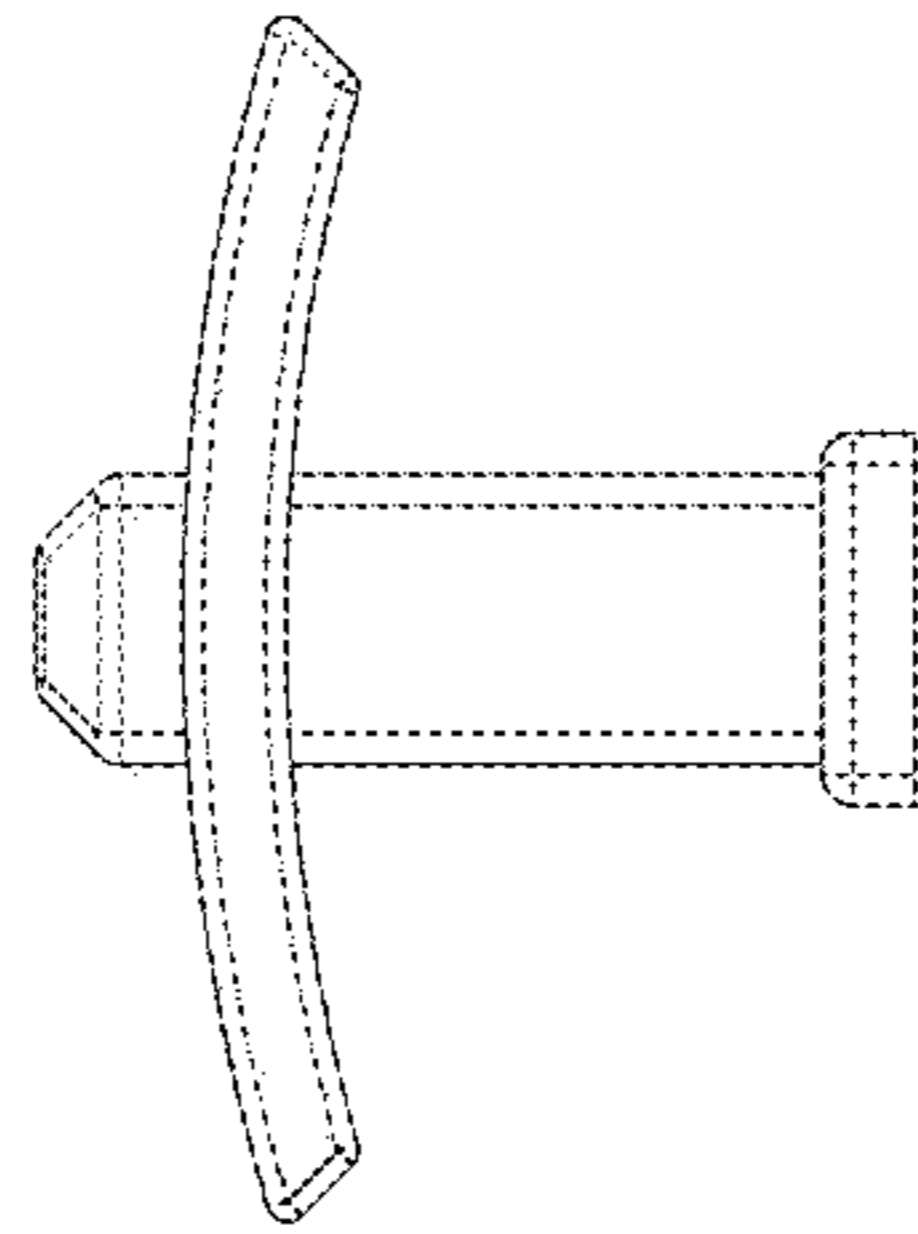


FIG - 8

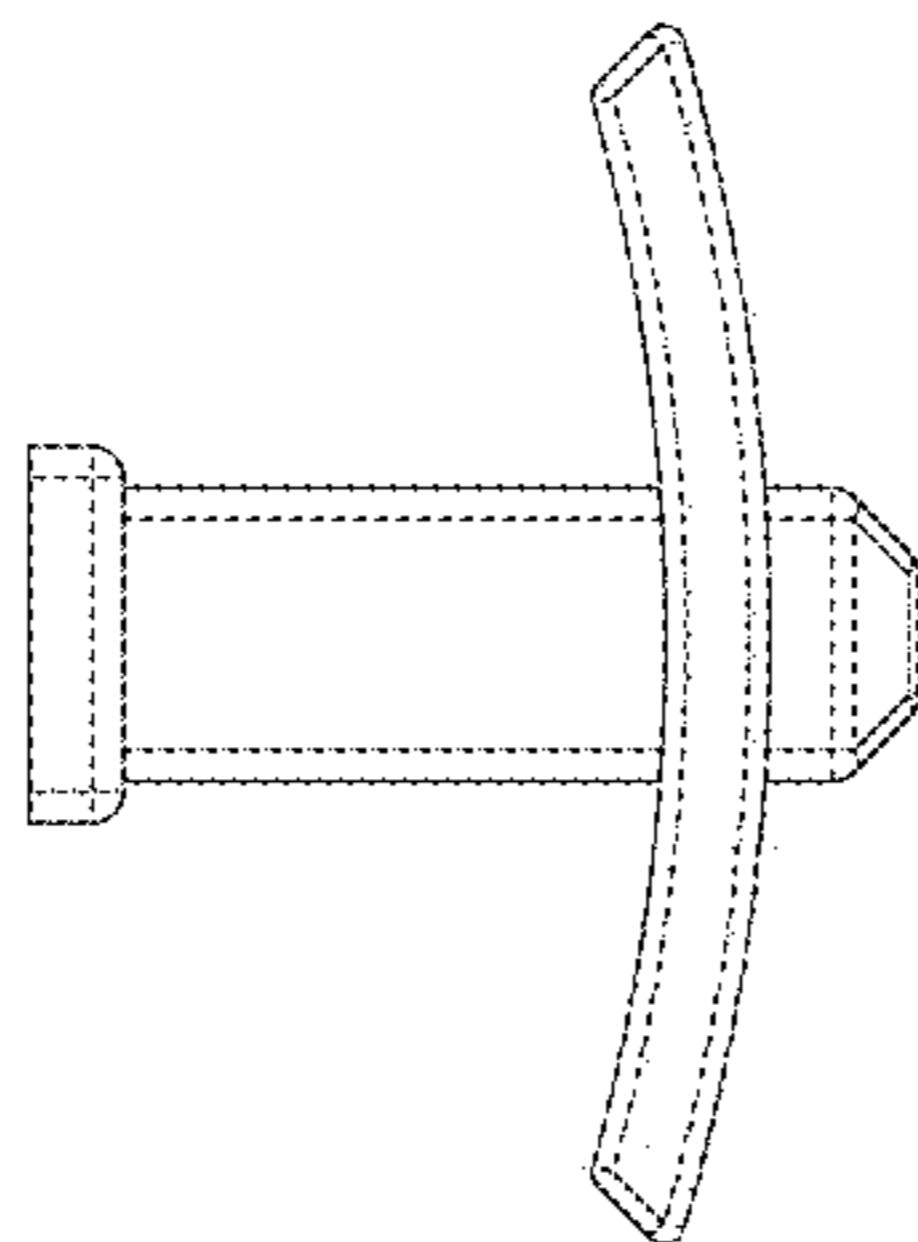


FIG - 7