



US00D956507S

(12) **United States Design Patent**
Elser

(10) **Patent No.:** **US D956,507 S**
(45) **Date of Patent:** **** Jul. 5, 2022**

- (54) **KNOB**
- (71) Applicant: **DELTA FAUCET COMPANY**,
Indianapolis, IN (US)
- (72) Inventor: **Simon Elser**, Indianapolis, IN (US)
- (73) Assignee: **DELTA FAUCET COMPANY**,
Indianapolis, IN (US)
- (**) Term: **15 Years**
- (21) Appl. No.: **29/766,340**
- (22) Filed: **Jan. 14, 2021**
- (51) **LOC (13) Cl.** **08-06**
- (52) **U.S. Cl.**
USPC **D8/307**
- (58) **Field of Classification Search**
USPC D8/300, 307, 310; D7/393; D23/250,
D23/252, 254
CPC ... Y10T 292/57; Y10T 16/469; Y10T 292/82;
Y10T 74/2084; Y10T 292/85; Y10T
16/458; Y10T 16/506; Y10T 70/5155;
Y10T 16/46; Y10T 16/4559; Y10T
74/20828; Y10T 70/8541; Y10T
74/20612; Y10T 16/459; Y10T 16/487;
Y10T 70/5389; Y10T 16/462; Y10T
16/4636; E05B 1/0007; E05B 3/00; Y10S
16/30; Y10S 292/53; Y10S 292/27
See application file for complete search history.

- (56) **References Cited**
U.S. PATENT DOCUMENTS
1,516,152 A * 11/1924 Dumont E05B 17/0058
74/548
2,149,375 A * 3/1939 Wiebe E05B 1/0061
16/86 A

- 2,571,767 A * 10/1951 Schlage E05B 3/003
292/347
- 2,610,877 A * 9/1952 Weaver E05B 13/001
16/DIG. 30
- 3,167,945 A * 2/1965 Goodman E05B 17/142
70/447
- 3,249,990 A * 5/1966 Schlage E05B 1/0007
29/896.5
- 3,623,346 A * 11/1971 Curtin E05B 17/142
70/424
- 3,738,137 A * 6/1973 Jones E05B 17/142
70/53
- D297,760 S * 9/1988 Paul D23/250
- D378,045 S * 2/1997 Lewis D8/307
- 6,997,394 B1 * 2/2006 Washington E05B 1/0069
239/289
- D589,776 S * 4/2009 Camp D8/312
- 10,422,157 B1 * 9/2019 Lindstead E05B 1/0053
- 2017/0350160 A1 * 12/2017 Block E05B 17/226

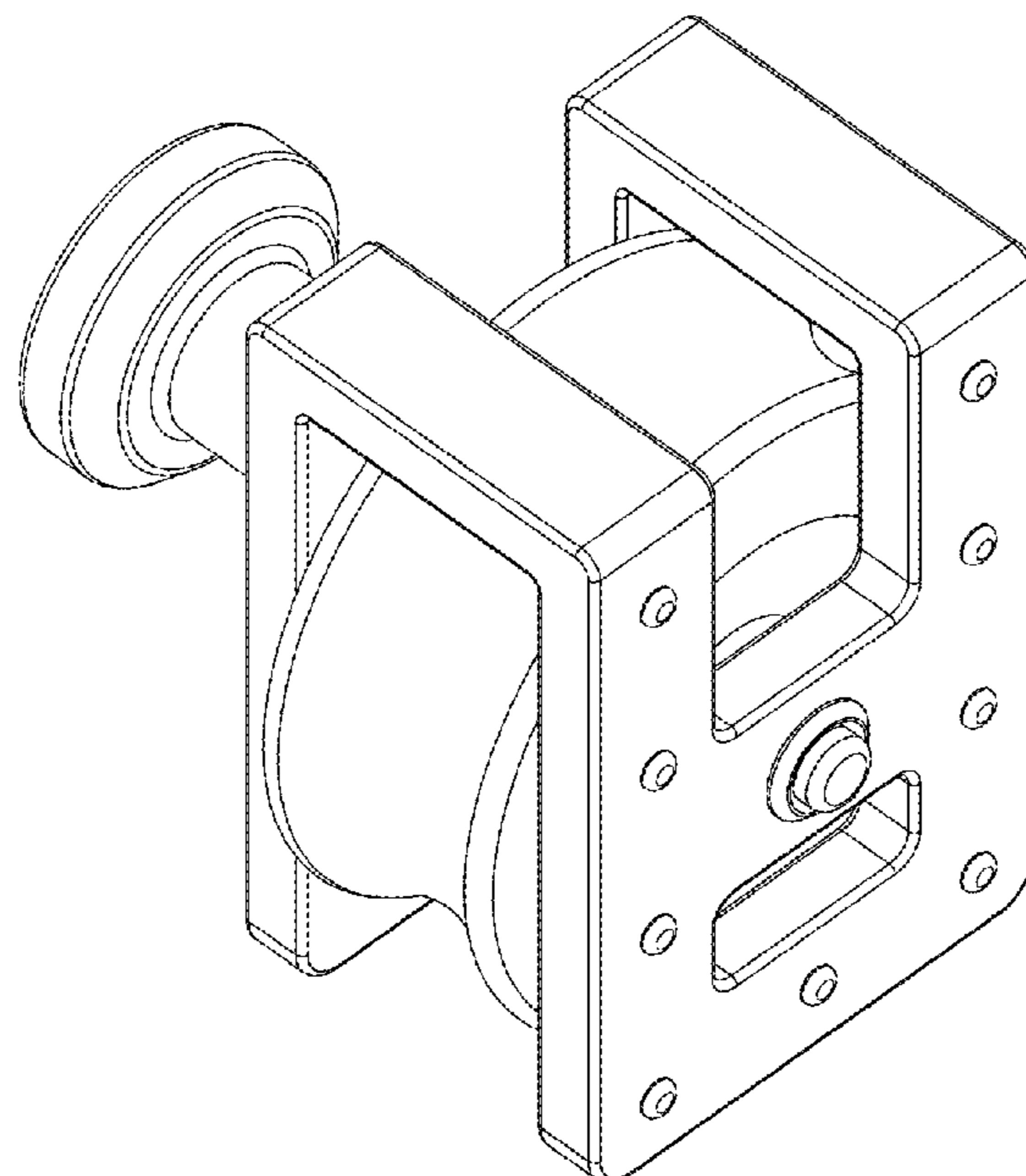
* cited by examiner

Primary Examiner — Lauren R Calve
(74) *Attorney, Agent, or Firm* — Nirav D. Parikh; Edgar
A. Zarins

(57) **CLAIM**
The ornamental design for a knob, as shown and described.

DESCRIPTION
FIG. 1 is a front perspective view of a knob showing my new design;
FIG. 2 is a rear perspective view thereof;
FIG. 3 is a front elevational view thereof;
FIG. 4 is a left side view thereof;
FIG. 5 is a rear view thereof;
FIG. 6 is a right side view thereof;
FIG. 7 is a top plan view thereof; and,
FIG. 8 is a bottom view thereof.

1 Claim, 4 Drawing Sheets



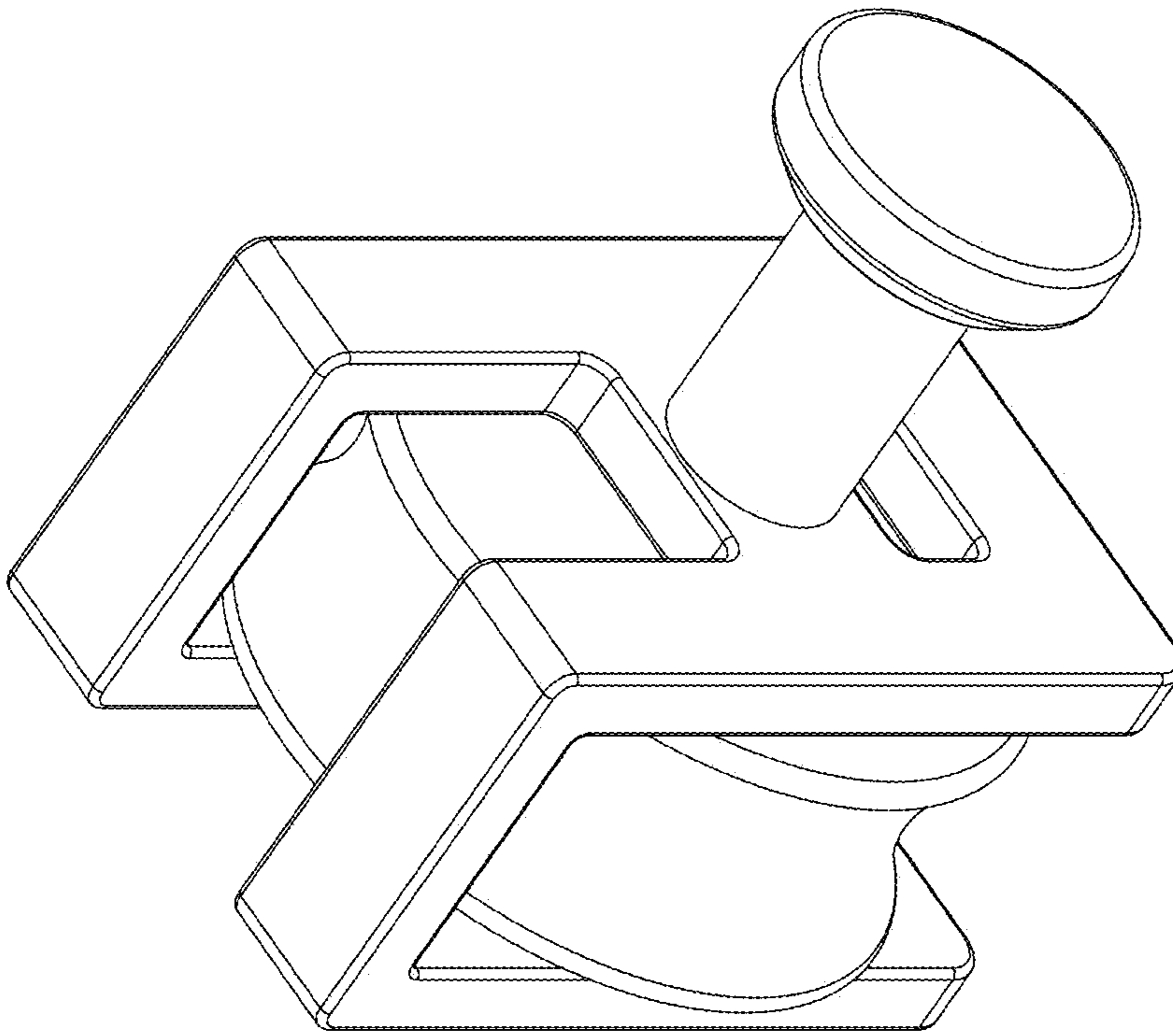


FIG - 2

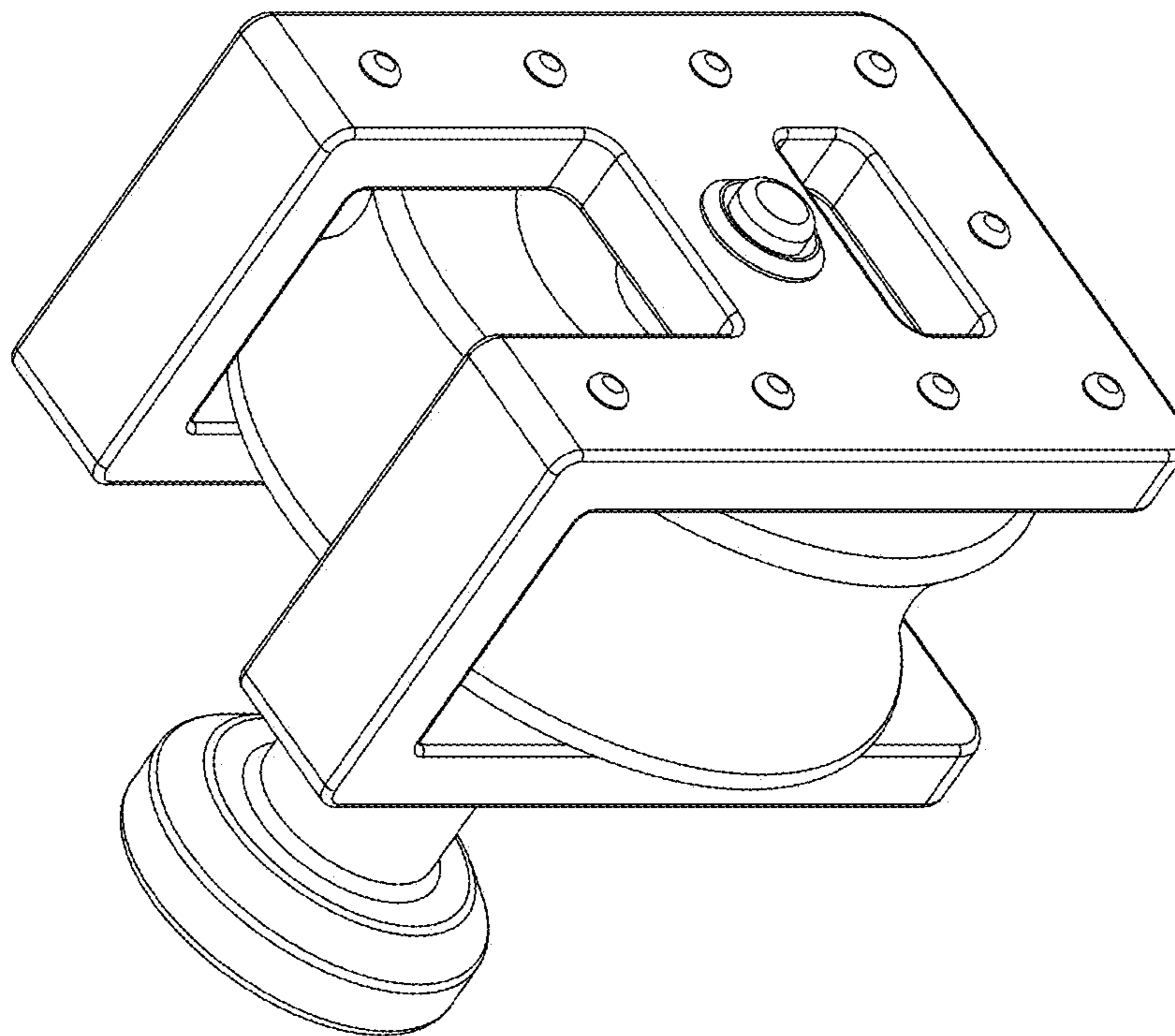


FIG - 1

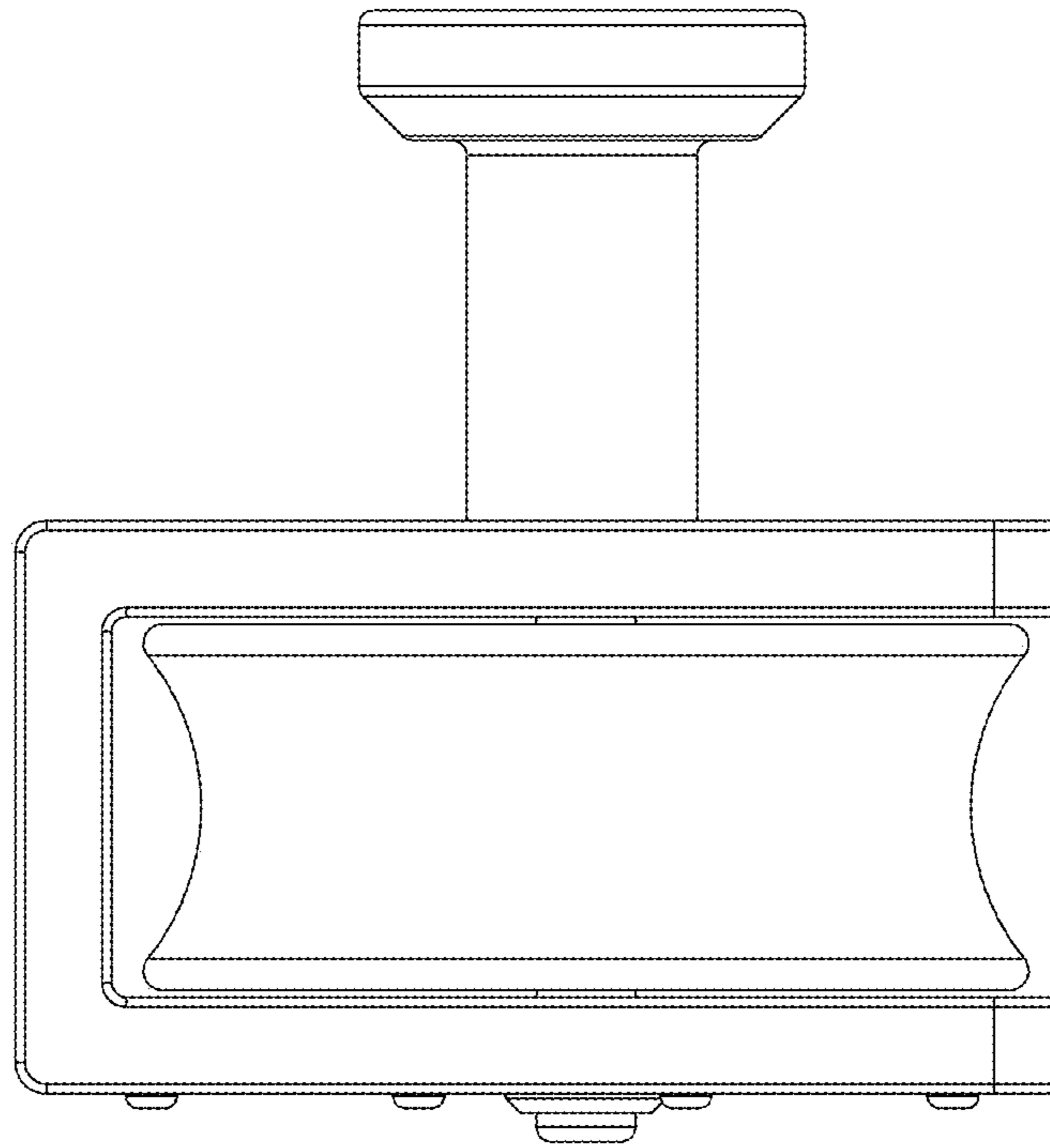


FIG - 4

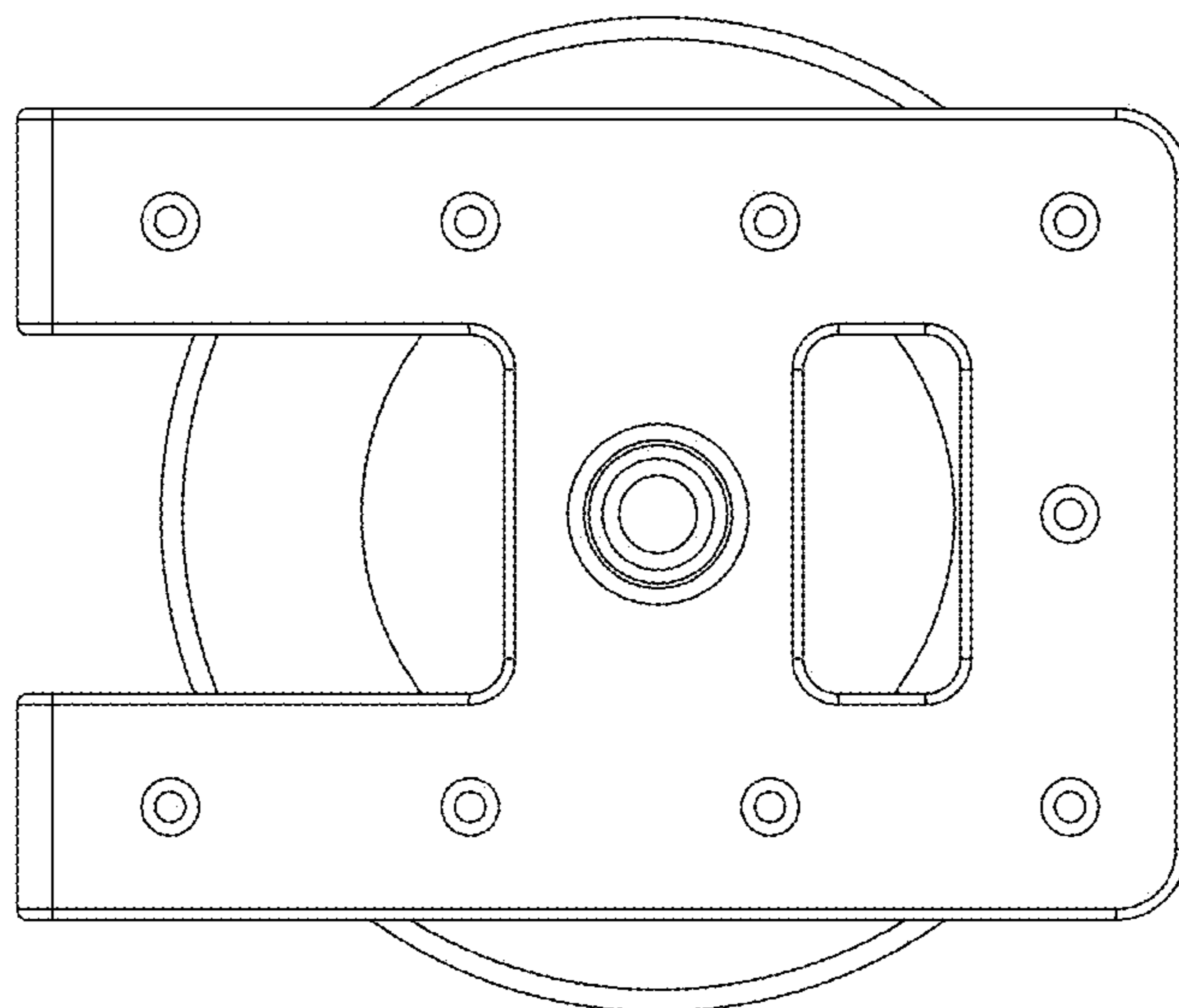


FIG - 3

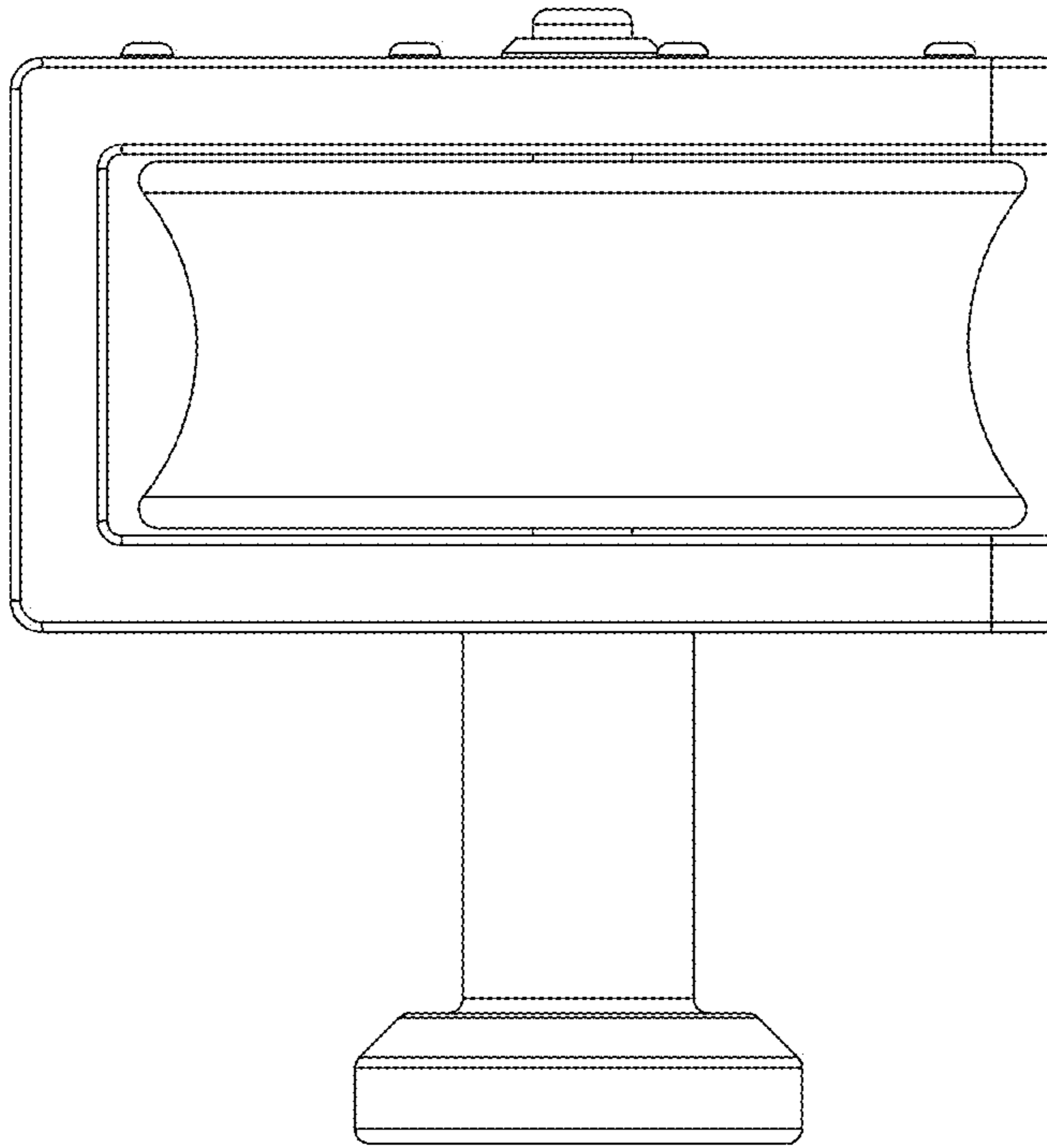


FIG - 6

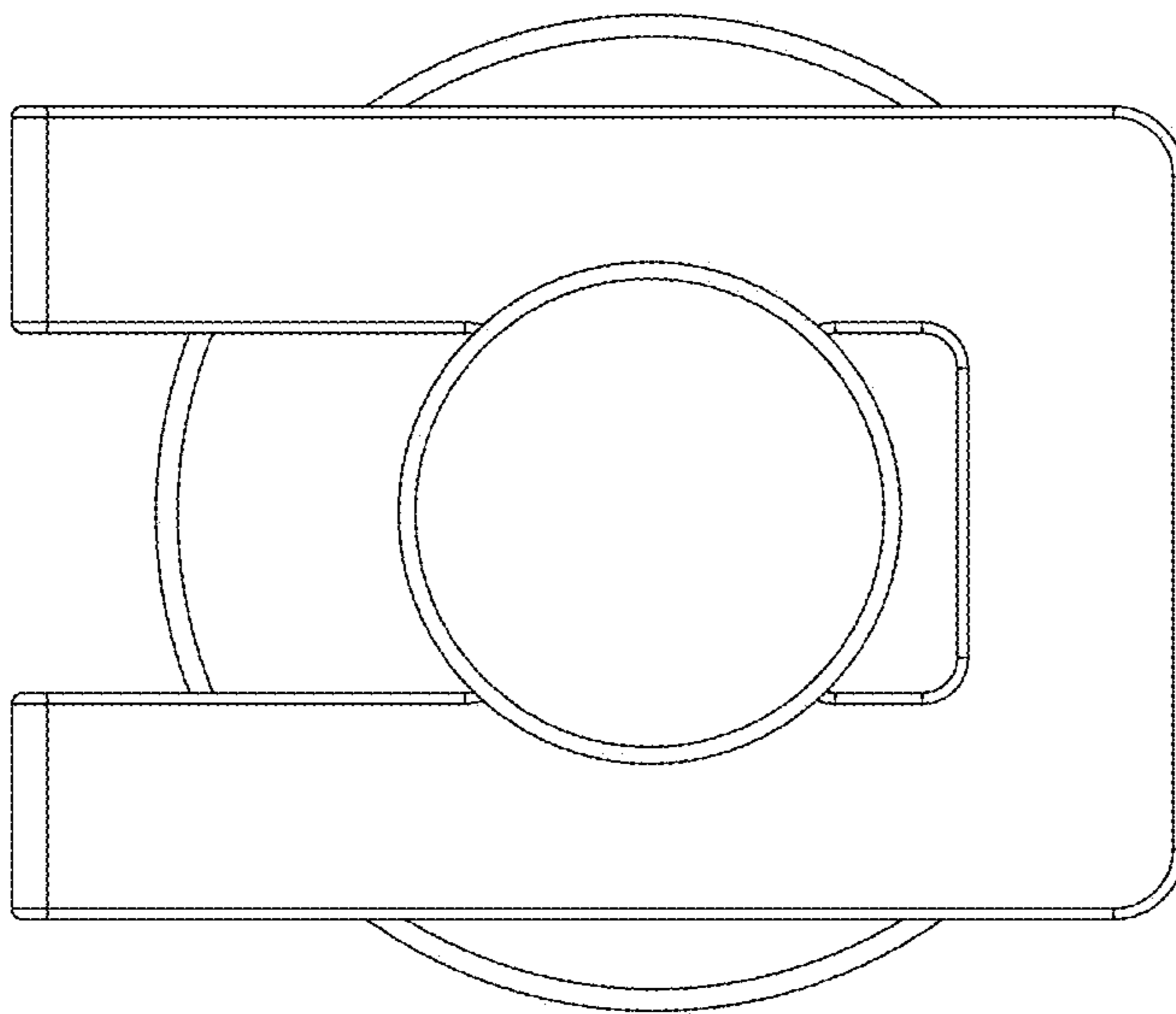


FIG - 5

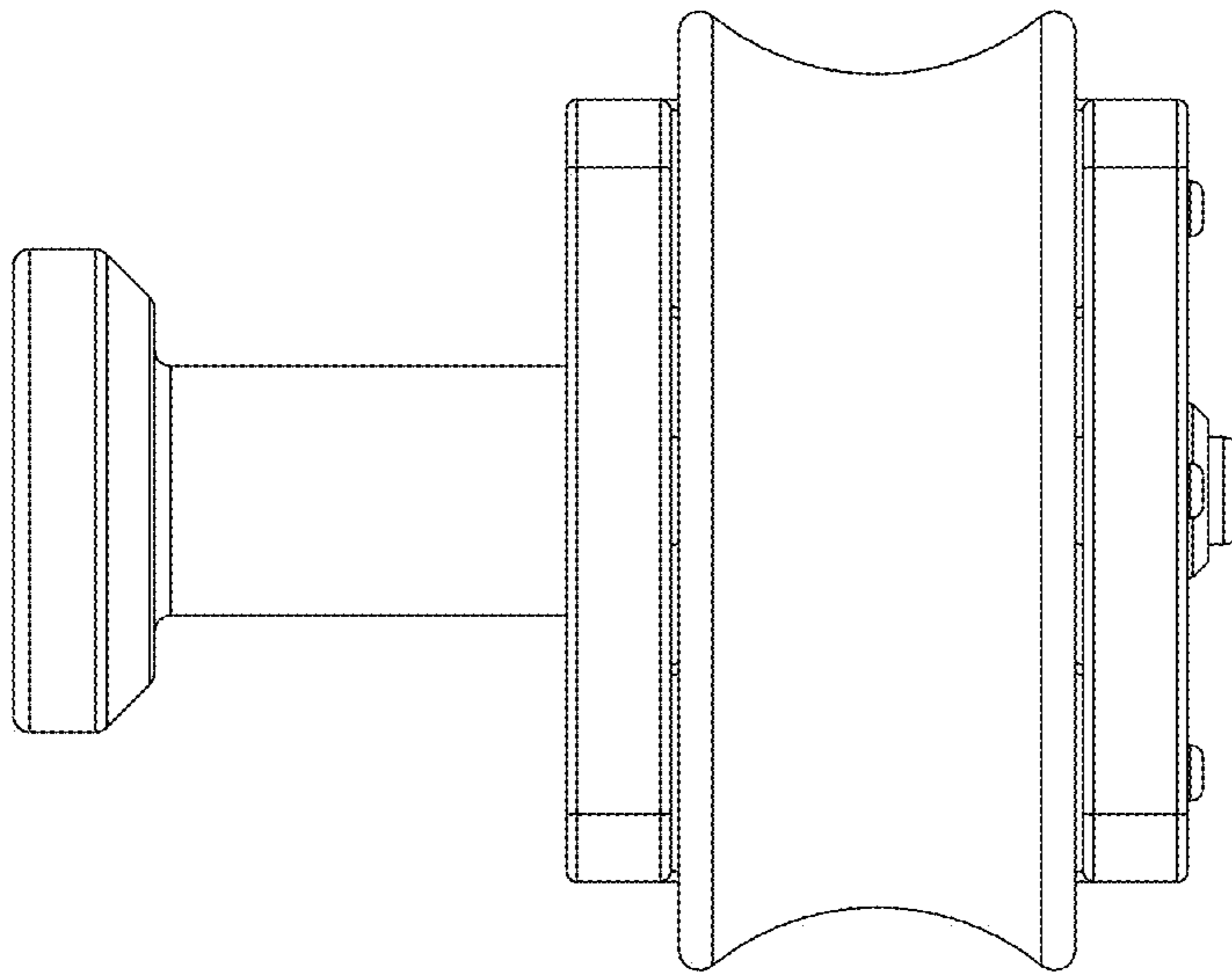


FIG - 8

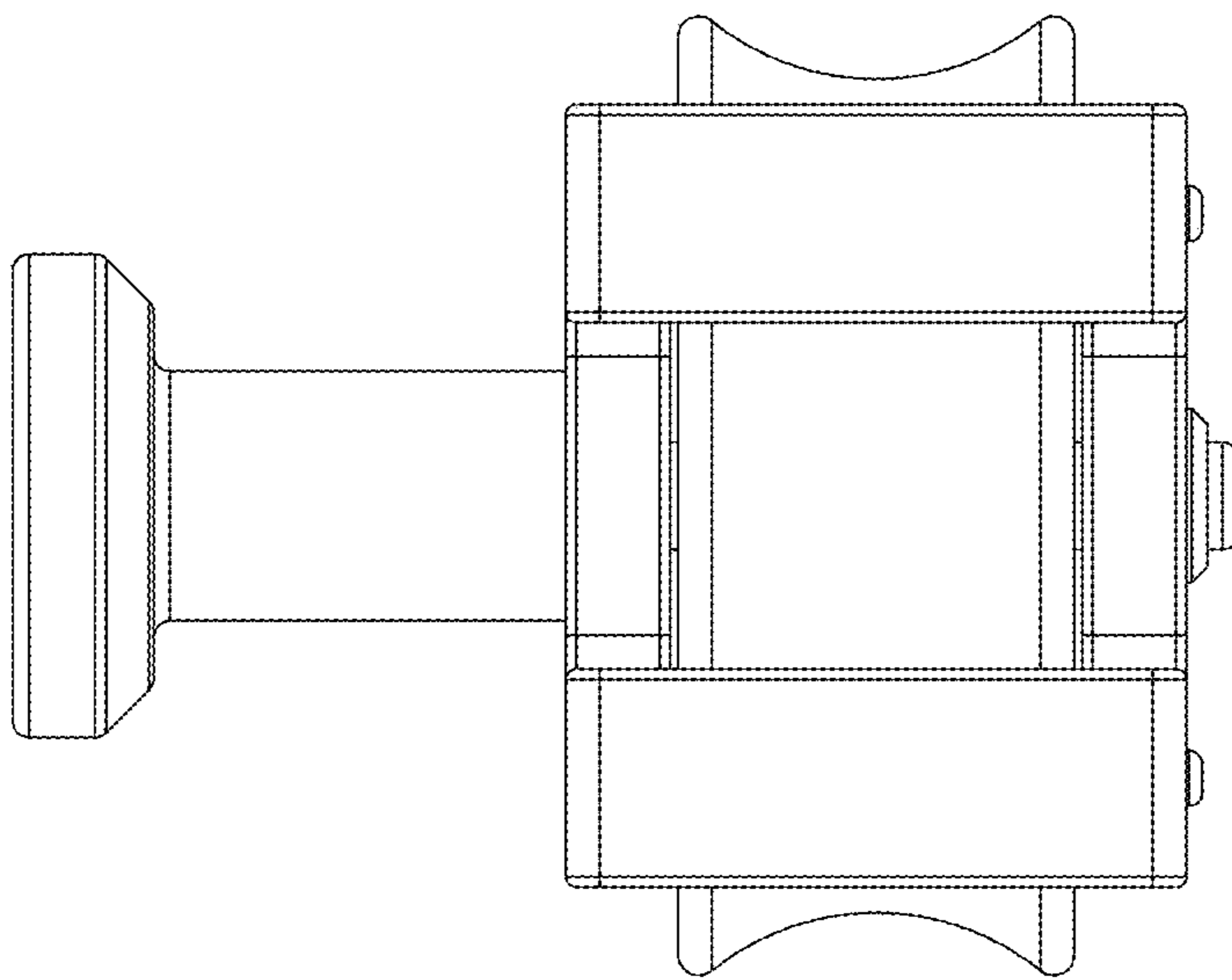


FIG - 7