

US00D956504S

(12) **United States Design Patent**  
**Weber et al.**

(10) **Patent No.:** **US D956,504 S**

(45) **Date of Patent:** **\*\* Jul. 5, 2022**

- (54) **SAW HANDLE**
- (71) Applicant: **Fiskars Finland Oy Ab**, Helsinki (FI)
- (72) Inventors: **Emery Weber**, Helsinki (FI); **Colin Roberts**, Helsinki (FI); **Sara Kasbekar**, Helsinki (FI); **Stephen Dechant**, Helsinki (FI)
- (73) Assignee: **FISKARS FINLAND OY AB**, Helsinki (FI)
- (\*\*) Term: **15 Years**
- (21) Appl. No.: **29/754,279**
- (22) Filed: **Oct. 8, 2020**
- (51) **LOC (13) Cl.** ..... **08-03**
- (52) **U.S. Cl.**  
USPC ..... **D8/95**
- (58) **Field of Classification Search**  
USPC ..... D8/95, 96, 97, 98, 99, 107, 105;  
D22/118  
CPC .. B26B 1/08; B26B 5/00; B26B 5/001; B26B 5/002; B26B 5/003; B26B 5/006; B26B 1/00; B26B 1/046; B26B 1/048; B26B 1/042  
See application file for complete search history.

D495,575 S *	9/2004	Jimenez .....	D8/97
D499,628 S *	12/2004	Chi .....	D8/97
D499,947 S *	12/2004	Martin .....	D8/97
D574,209 S *	8/2008	Ranieri .....	D8/97
D599,185 S *	9/2009	Himbert .....	D8/97
D640,524 S *	6/2011	Huang .....	D26/107
D659,504 S *	5/2012	Geier .....	D8/95
8,322,040 B2 *	12/2012	Jimenez .....	B23D 51/01 30/517
D684,031 S *	6/2013	Block .....	D8/97
D823,661 S *	7/2018	Wolf .....	D8/97

\* cited by examiner

*Primary Examiner* — Philip S Hyder

(74) *Attorney, Agent, or Firm* — Leason Ellis LLP

(57) **CLAIM**

The ornamental design for a saw handle, as shown and described.

**DESCRIPTION**

FIG. 1 is a perspective view of our saw handle according to our new design;  
 FIG. 2 is a left-side view thereof;  
 FIG. 3 is a right-side view thereof;  
 FIG. 4 is front view thereof;  
 FIG. 5 is a rear view thereof;  
 FIG. 6 is a top plan view thereof; and,  
 FIG. 7 is a bottom plan view thereof.  
 The broken line showing of portions of the saw is included for the purpose of illustrating environmental structure and forms no part of the claimed design.  
 Conventional shading is illustrated for purposes of highlighting the line drawings, but forms no part of the claimed design.

**1 Claim, 7 Drawing Sheets**

(56) **References Cited**

**U.S. PATENT DOCUMENTS**

D317,395 S *	6/1991	Landahi .....	D8/97
D395,218 S *	6/1998	Martin .....	D8/97
D442,458 S *	5/2001	Jimenez .....	D8/107
D488,981 S *	4/2004	Jimenez .....	D8/107
D488,982 S *	4/2004	Jimenez .....	D8/97

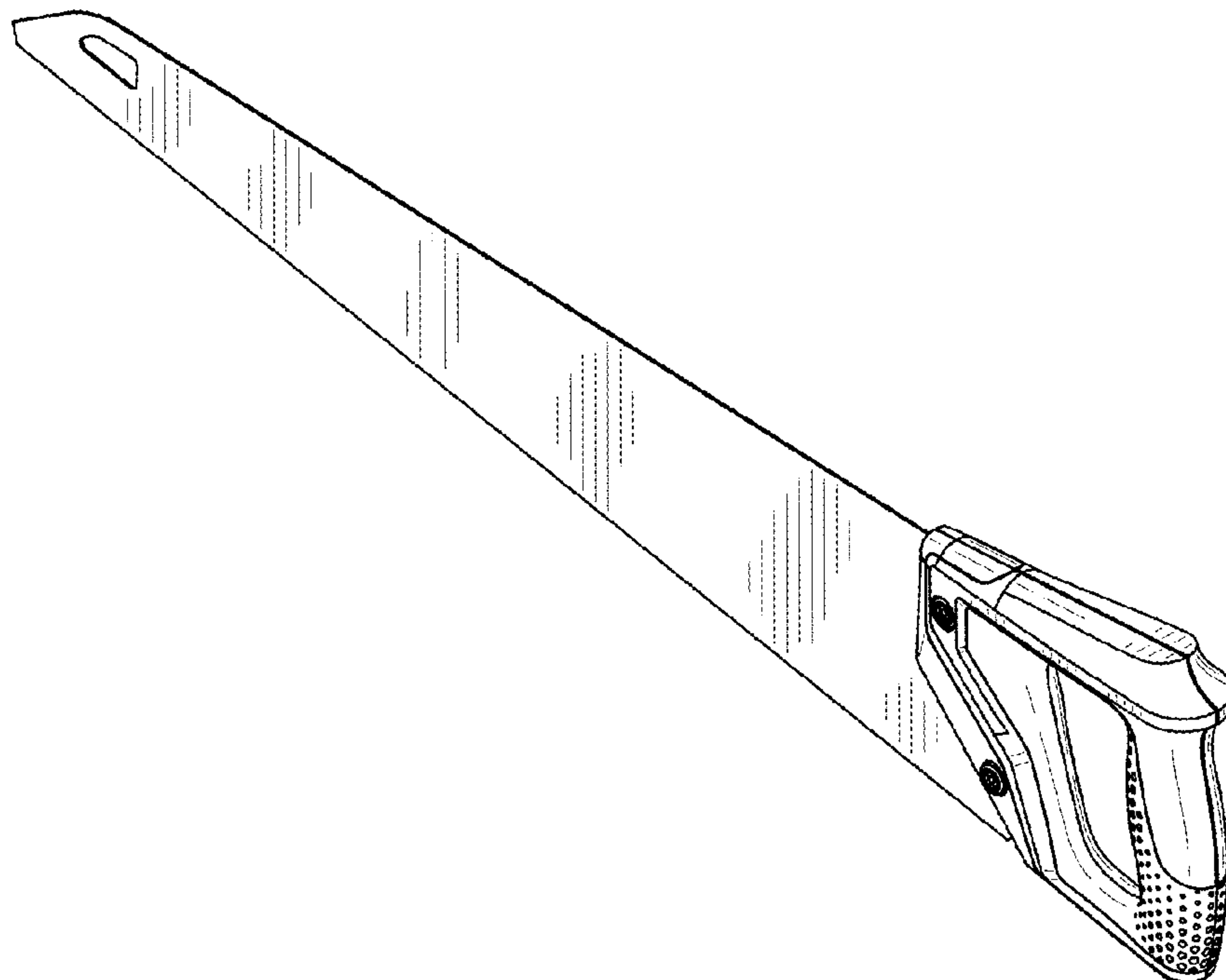


FIG. 1

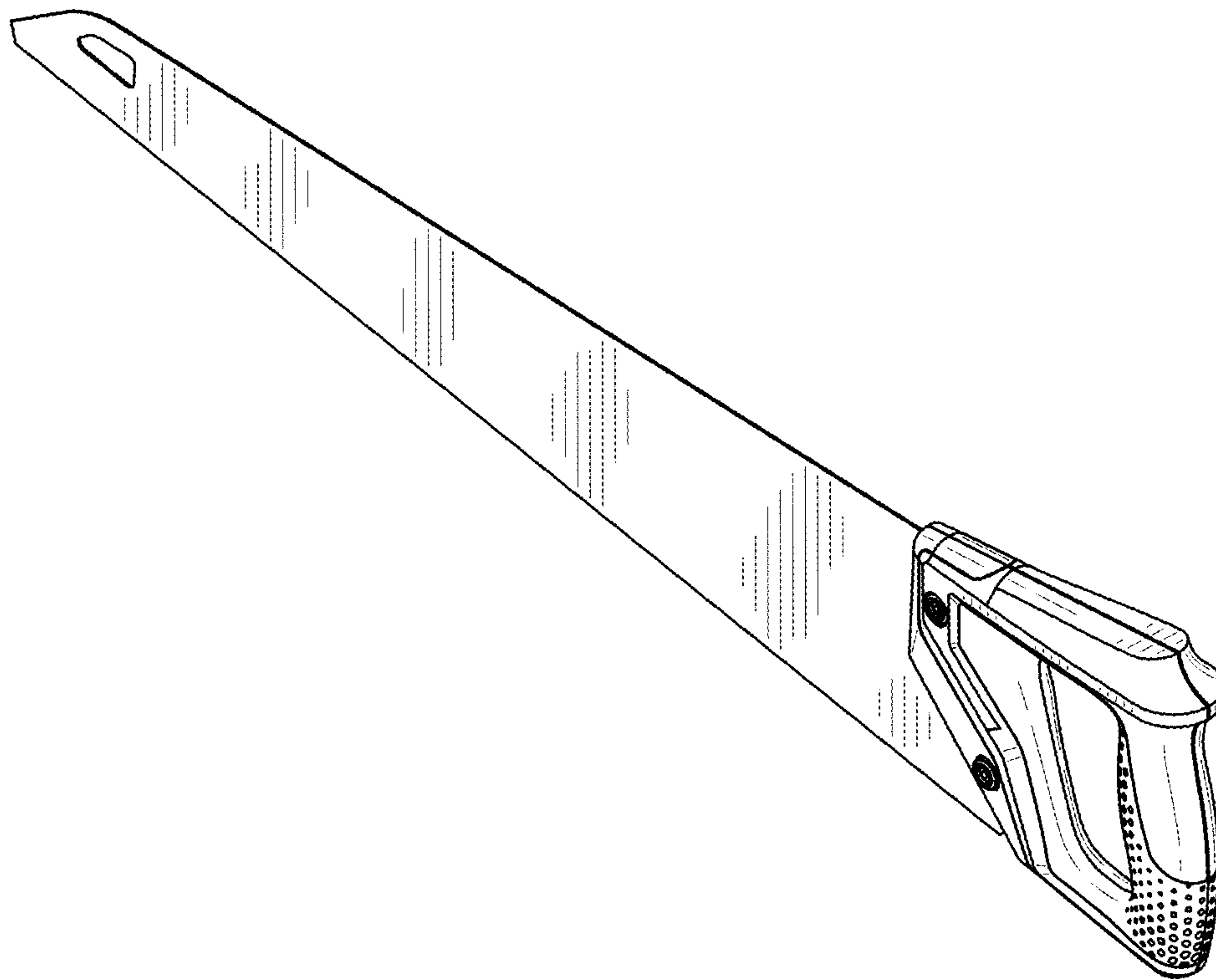


FIG. 2

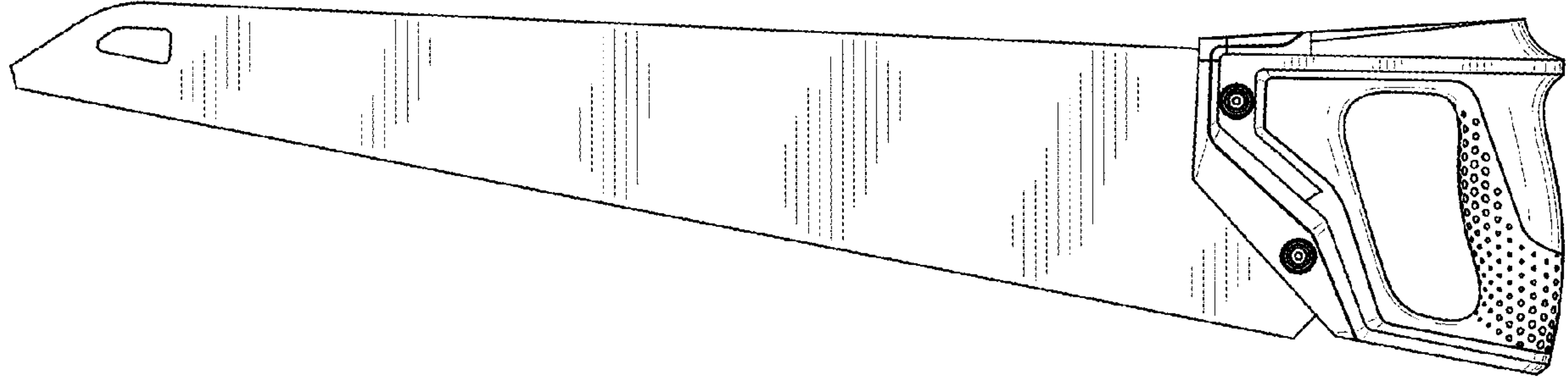


FIG. 3

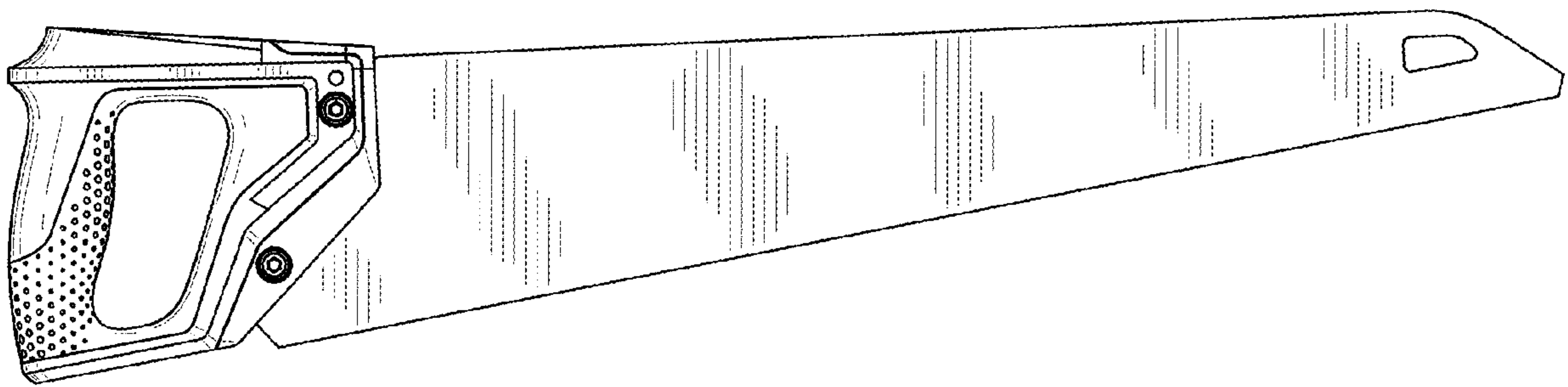


FIG. 4

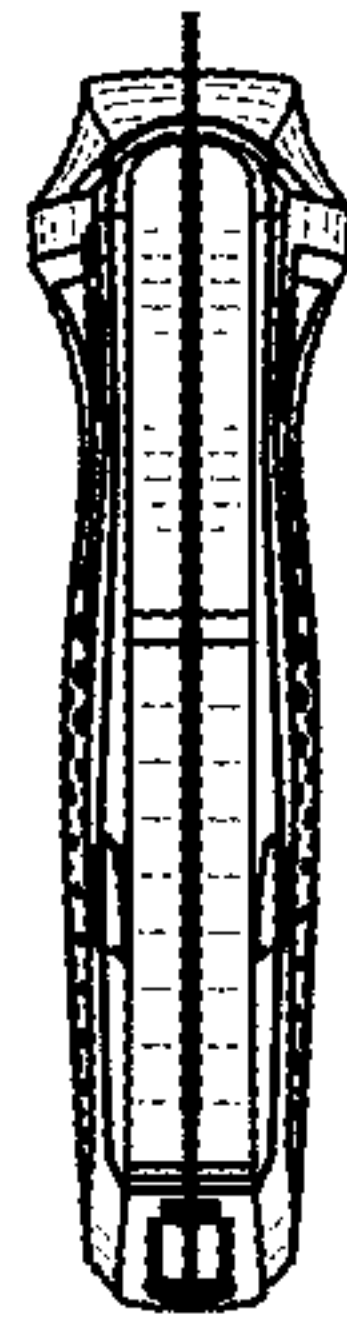


FIG. 5

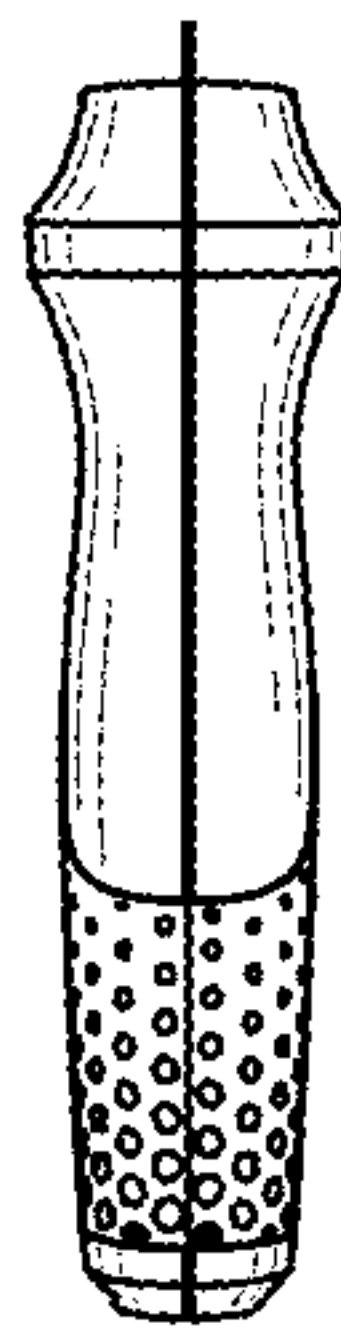


FIG. 6



FIG. 7

