



US00D956501S

(12) **United States Design Patent** (10) **Patent No.:** **US D956,501 S**  
**Puzzitiello et al.** (45) **Date of Patent:** **\*\* Jul. 5, 2022**

(54) **IMPACT TOOL**

(71) Applicant: **BLACK & DECKER INC.**, New Britain, CT (US)

(72) Inventors: **Randall Puzzitiello**, Towson, MD (US); **Neal Hassel**, Parkville, MD (US); **Samantha Cunningham**, Towson, MD (US); **Alvero Haesbaert**, Towson, MD (US); **Seth M. Robinson**, Felton, PA (US); **Daniel L. Krout**, Abingdon, MD (US)

(73) Assignee: **Black & Decker Inc.**, New Britain, CT (US)

(\*\*) Term: **15 Years**

(21) Appl. No.: **29/757,503**

(22) Filed: **Nov. 6, 2020**

(51) **LOC (13) Cl.** ..... **08-05**

(52) **U.S. Cl.**  
USPC ..... **D8/68**

(58) **Field of Classification Search**  
USPC ..... D8/61, 67, 68  
CPC .... B62D 23/005; B62D 29/00; B62D 29/043;  
B62D 31/00; B62D 3/046; B62D 35/00;  
B62D 35/001; B60Q 1/0005  
See application file for complete search history.

(56) **References Cited**

**U.S. PATENT DOCUMENTS**

3,270,593	A	9/1966	Kaman	
3,848,680	A	11/1974	Legler	
D294,001	S *	2/1988	Greenlee	D8/68
5,089,738	A	2/1992	Bergqvist et al.	
D388,678	S *	1/1998	Bantly	D8/68
D393,580	S *	4/1998	Bantly	D8/68
6,082,468	A *	7/2000	Pusateri	B25F 5/02
				173/171
D434,297	S *	11/2000	Iritani	D8/68

D434,298	S *	11/2000	Izumisawa	D8/68
D436,818	S *	1/2001	Izumisawa	D8/68
D459,179	S *	6/2002	Morgan	D8/68
D461,110	S *	8/2002	Izumisawa	D8/68
D465,982	S *	11/2002	Taga	D8/68
D469,673	S *	2/2003	Sliker	D8/68
D472,782	S *	4/2003	Pusateri	D8/68

(Continued)

**FOREIGN PATENT DOCUMENTS**

DE	102010041097	A1	3/2012
EP	1533086	B1	1/2008

(Continued)

**OTHER PUBLICATIONS**

Bradley Ford. "The 10 Best Cordless Impact Wrenches." Popular Mechanics., Mar. 19, 2020 [online]. [retrieved on Jun. 6, 2021]. Retrieved from the Internet <URL: <https://www.popularmechanics.com/home/tools/reviews/g2028/the-best-impact-wrenches/>>.\*

(Continued)

*Primary Examiner* — Darlington Ly

(74) *Attorney, Agent, or Firm* — Scott B. Markow

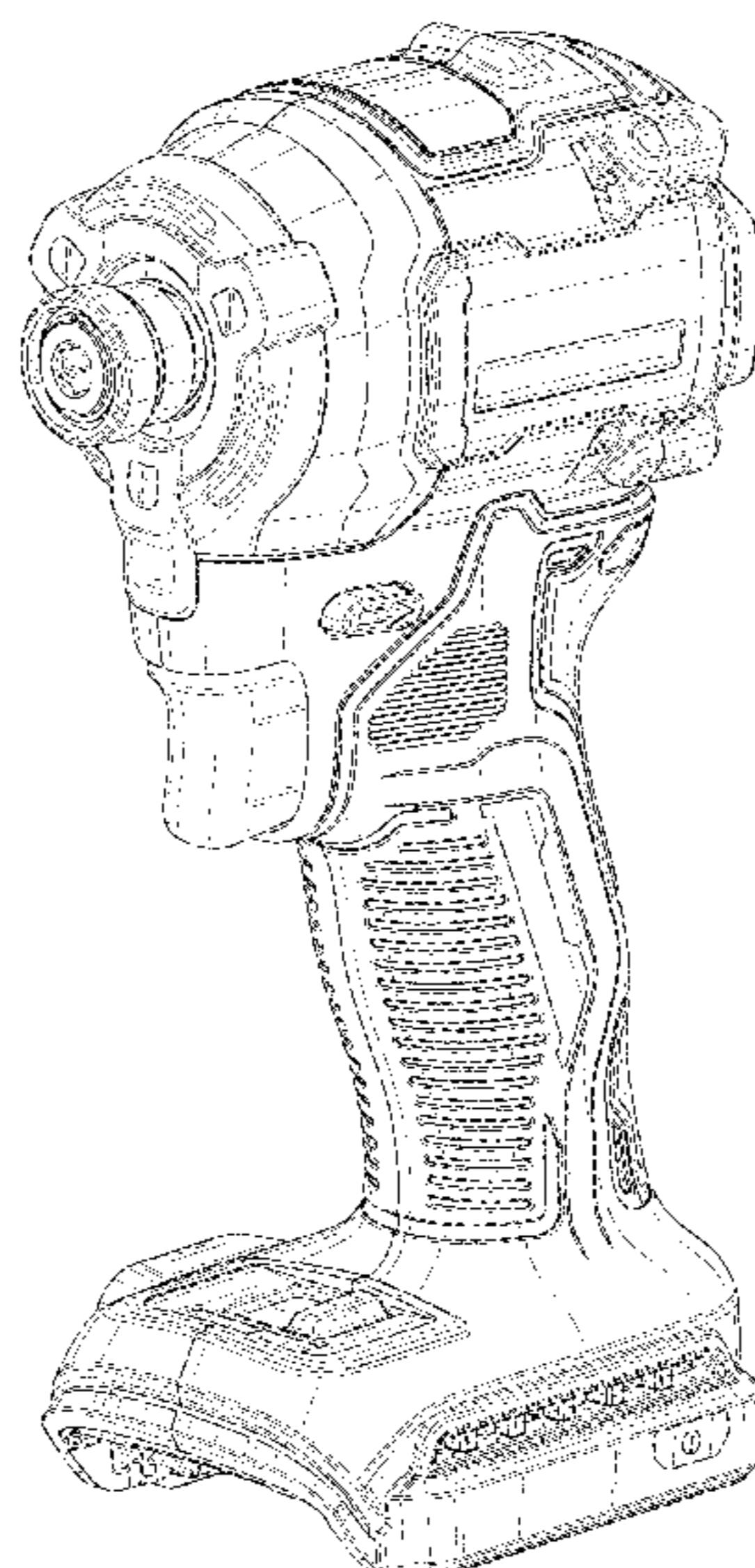
(57) **CLAIM**

The ornamental design for an impact tool, as shown and described.

**DESCRIPTION**

FIG. 1 is a front perspective view of an impact tool embodying our new design;  
FIG. 2 is front elevation view thereof;  
FIG. 3 is a rear elevation view thereof;  
FIG. 4 is a right side elevation view thereof;  
FIG. 5 is a left side elevation view thereof;  
FIG. 6 is a top plan view thereof;  
FIG. 7 is a bottom plan view thereof; and,  
FIG. 8 is a rear perspective view thereof.

**1 Claim, 8 Drawing Sheets**



(56)

References Cited

U.S. PATENT DOCUMENTS

D476,210 S \* 6/2003 Chen ..... D8/68  
 D477,512 S \* 7/2003 Liu ..... D8/68  
 6,607,041 B2 8/2003 Suzuki et al.  
 6,679,406 B2 1/2004 Sakai et al.  
 6,715,380 B2 4/2004 Listl et al.  
 D493,085 S \* 7/2004 Copeland, II ..... D8/68  
 D496,243 S \* 9/2004 Huang ..... D8/68  
 D497,529 S \* 10/2004 Price ..... D8/68  
 D497,787 S \* 11/2004 Liao ..... D8/68  
 6,883,619 B1 \* 4/2005 Huang ..... B25B 21/02  
 173/168  
 6,905,052 B2 6/2005 Sakai et al.  
 D507,732 S \* 7/2005 Nowak ..... D8/68  
 D521,339 S \* 5/2006 Chen ..... D8/68  
 7,036,605 B2 5/2006 Suzuki et al.  
 7,053,567 B2 5/2006 Yamamoto  
 D527,592 S 9/2006 Hayakawa et al.  
 D529,353 S 10/2006 Wong et al.  
 D534,047 S \* 12/2006 Chi ..... D8/68  
 D540,641 S \* 4/2007 Clay ..... D8/68  
 7,331,403 B2 2/2008 Berry et al.  
 7,344,054 B2 3/2008 Sakai et al.  
 7,490,746 B2 2/2009 Sakai et al.  
 7,673,702 B2 \* 3/2010 Johnson ..... B25B 21/00  
 173/109  
 7,789,169 B2 9/2010 Berry et al.  
 7,896,098 B2 3/2011 Suzuki et al.  
 D648,997 S 11/2011 Allan et al.  
 D649,421 S 11/2011 Aglassinger  
 8,210,275 B2 7/2012 Suzuki et al.  
 8,267,192 B2 9/2012 Lopano et al.  
 D670,987 S 11/2012 Aglassinger  
 D670,988 S 11/2012 Aglassinger  
 8,319,379 B2 11/2012 Onose et al.  
 D674,676 S 1/2013 Wang  
 8,695,725 B2 4/2014 Lau et al.  
 8,714,282 B2 5/2014 Chen et al.  
 D712,224 S 9/2014 Zhang  
 D716,125 S \* 10/2014 Yaschur ..... D8/68  
 D725,981 S 4/2015 Elder et al.  
 9,085,077 B2 7/2015 Lau et al.  
 D739,200 S 9/2015 Elder et al.  
 D774,860 S \* 12/2016 Colin ..... D8/68  
 D775,919 S \* 1/2017 Lee ..... D8/68  
 9,931,743 B2 4/2018 Lau et al.  
 10,052,733 B2 8/2018 Ely et al.  
 D837,622 S \* 1/2019 Chang ..... D8/68  
 D853,217 S \* 7/2019 Paoli ..... D8/68  
 10,350,744 B2 7/2019 Lopano et al.

10,418,879 B2 9/2019 Bartoszek et al.  
 10,456,895 B2 10/2019 Ely  
 10,478,961 B2 11/2019 Barth et al.  
 D899,208 S \* 10/2020 Thompson ..... D8/68  
 D899,210 S \* 10/2020 Thompson ..... D8/68  
 D906,076 S \* 12/2020 James ..... D8/68  
 D915,853 S \* 4/2021 Lee ..... D8/68  
 D929,834 S \* 9/2021 James ..... D8/68  
 D929,835 S \* 9/2021 James ..... D8/68  
 D929,836 S \* 9/2021 James ..... D8/68  
 2002/0152848 A1 \* 10/2002 Johnson ..... B25B 23/0035  
 81/465  
 2003/0010513 A1 \* 1/2003 Taga ..... B25B 21/02  
 173/168  
 2003/0010514 A1 \* 1/2003 Taga ..... B25F 5/00  
 173/213  
 2005/0058890 A1 3/2005 Brazell et al.  
 2014/0262394 A1 9/2014 Scott et al.  
 2015/0059531 A1 3/2015 Ely  
 2015/0151424 A1 6/2015 Elder et al.  
 2018/0147711 A1 5/2018 Saur  
 2018/0154507 A1 6/2018 Roehm  
 2018/0257213 A1 9/2018 Elder et al.  
 2018/0370014 A1 12/2018 Roehm et al.  
 2019/0001457 A1 1/2019 Ely et al.  
 2019/0009398 A1 1/2019 Zhong et al.  
 2019/0176303 A1 6/2019 Scott et al.  
 2019/0314973 A1 10/2019 Lopano et al.

FOREIGN PATENT DOCUMENTS

EP 1894680 B1 3/2011  
 EP 2639015 A2 9/2013  
 EP 3251802 A1 12/2017

OTHER PUBLICATIONS

“The Best Cordless Impact Wrench Reviews & Buyer’s Guide.”  
 Cordless Drill Zone., Feb. 14, 2020 [online], [retrieved on Jun. 6,  
 2021]. Retrieved from the Internet <URL: <https://cordlessdrillzone.com/best-cordless-impact-wrench/>>.\*  
 “10 Best Air Impact Wrench in 2018 [ Reviewed After Research ].”  
 Air Compressor Agency., Feb. 23, 2018 [online], [retrieved on Jun.  
 6, 2021]. Retrieved from the Internet <URL: <https://topaircompressorreviews.com/best-air-impact-wrench-reviews/>>.\*  
 Todd Fratzel. “Impact Driver Head to Head.” Tool Box Buzz., Jun.  
 17, 2017 [online], [retrieved on Jun. 6, 2021]. Retrieved from the  
 Internet <URL: <https://www.toolboxbuzz.com/cordless-tools/impact-driver/impact-driver-head-to-head/>>.\*

\* cited by examiner

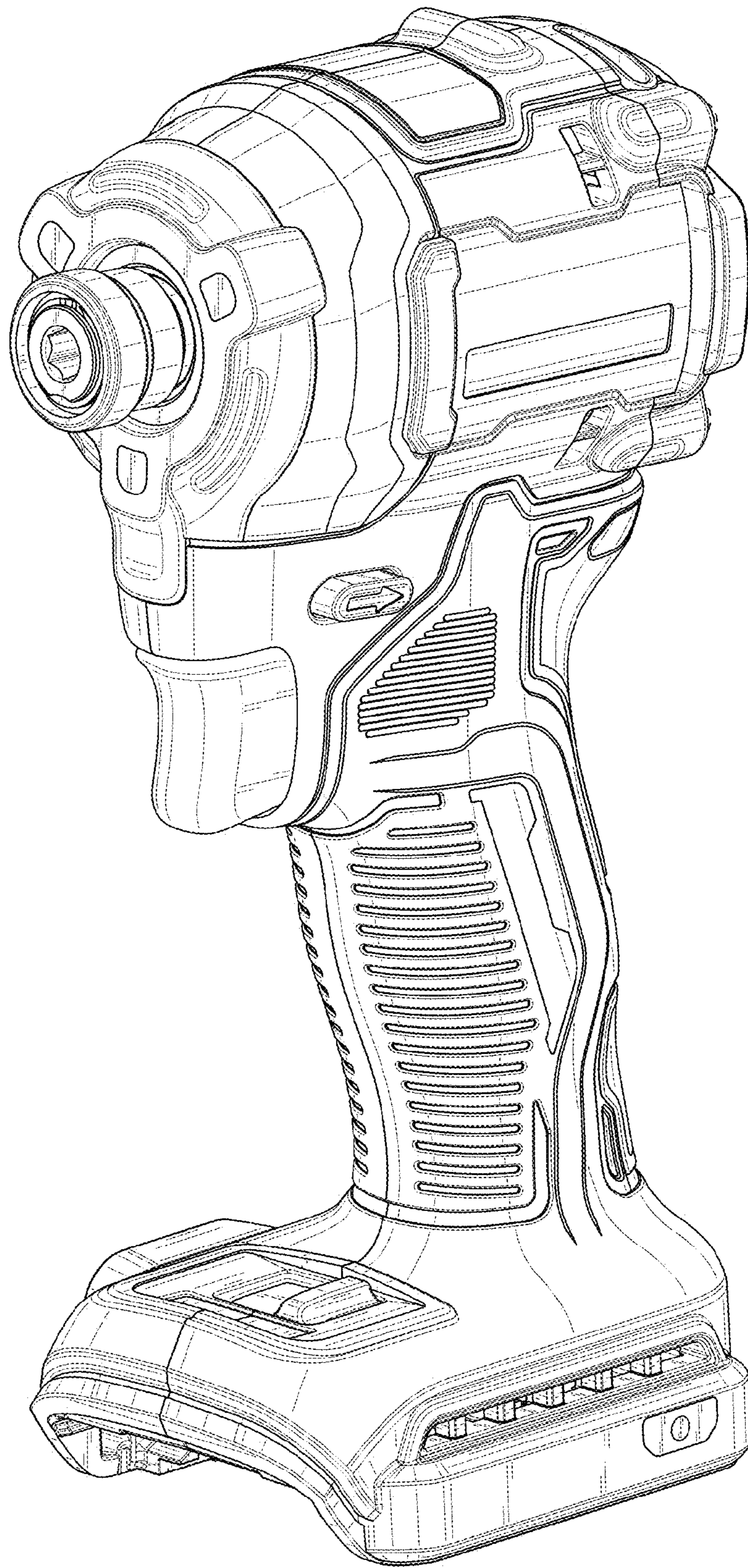


FIG. 1

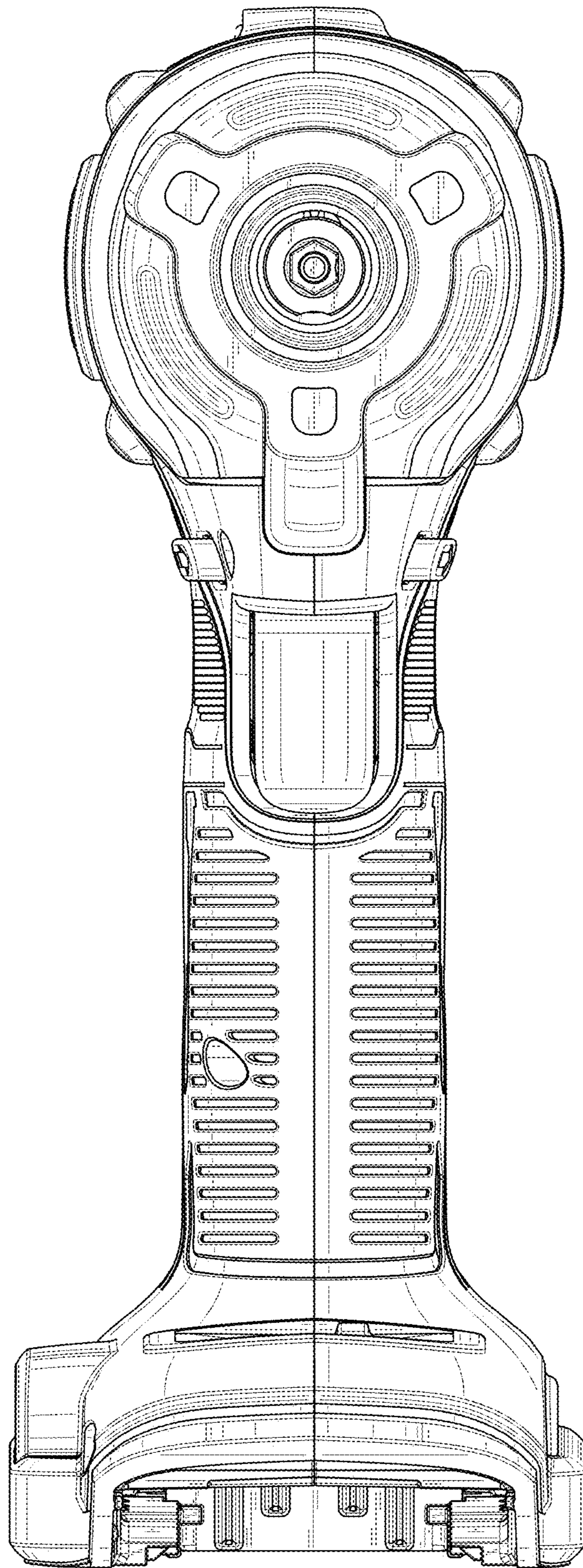


FIG. 2

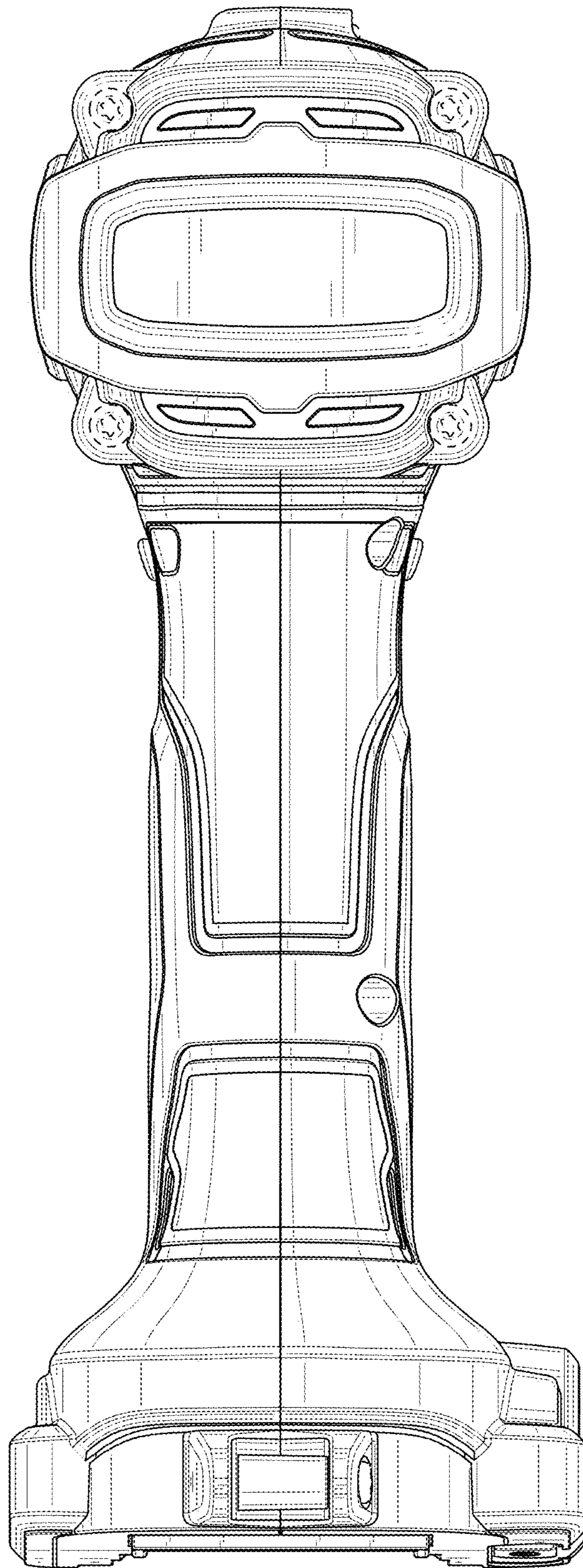


FIG. 3

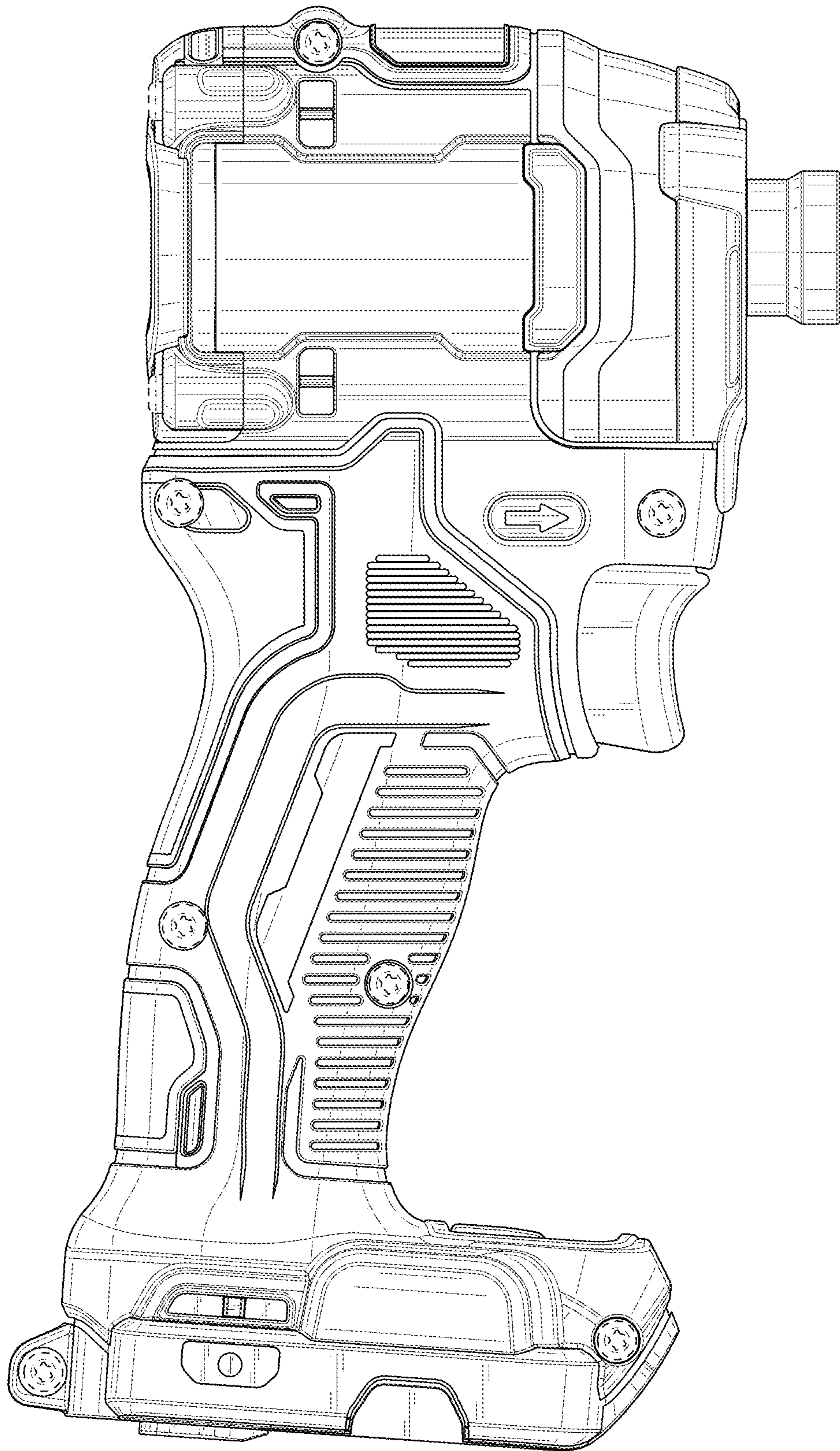


FIG. 4

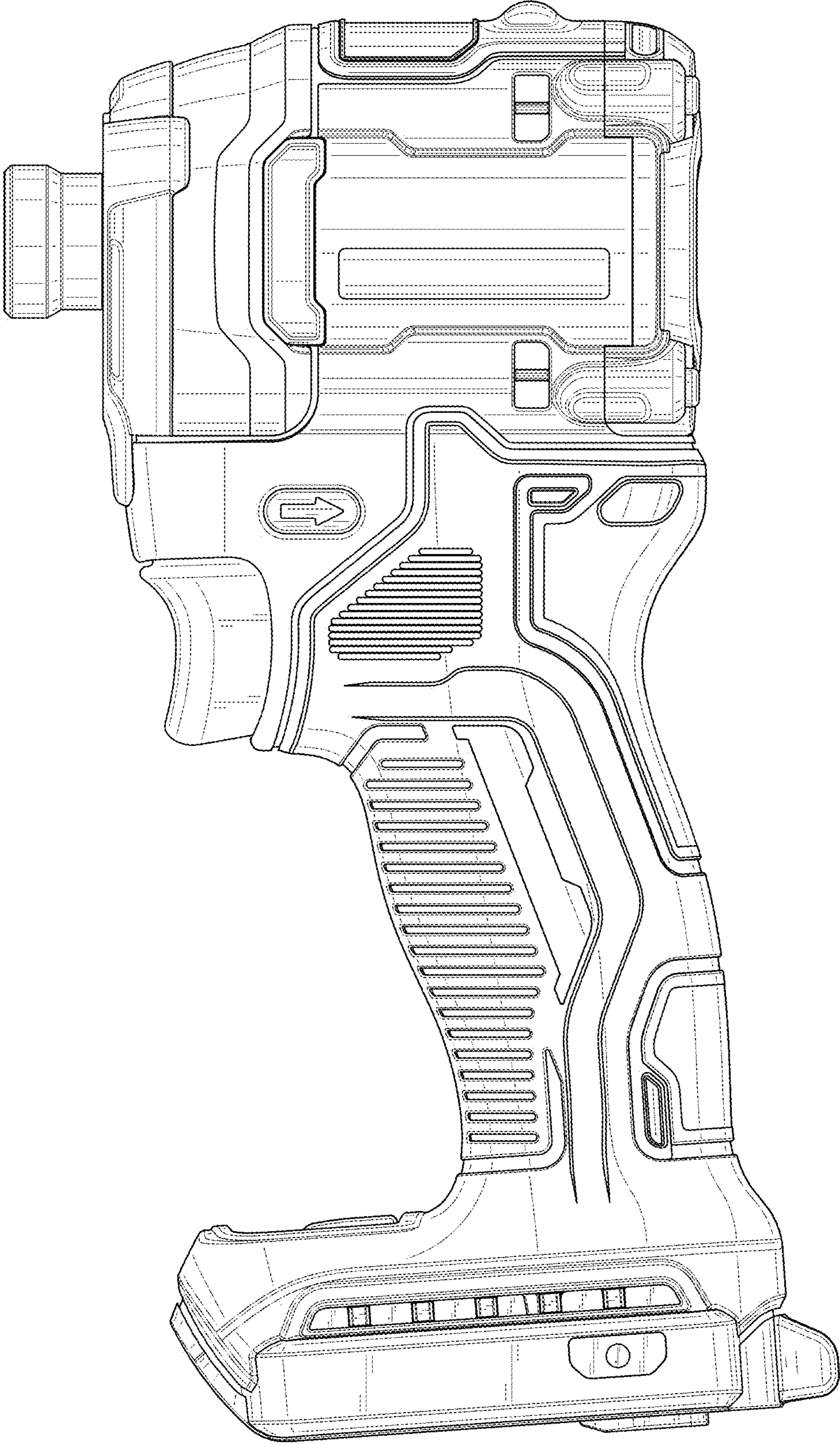


FIG. 5

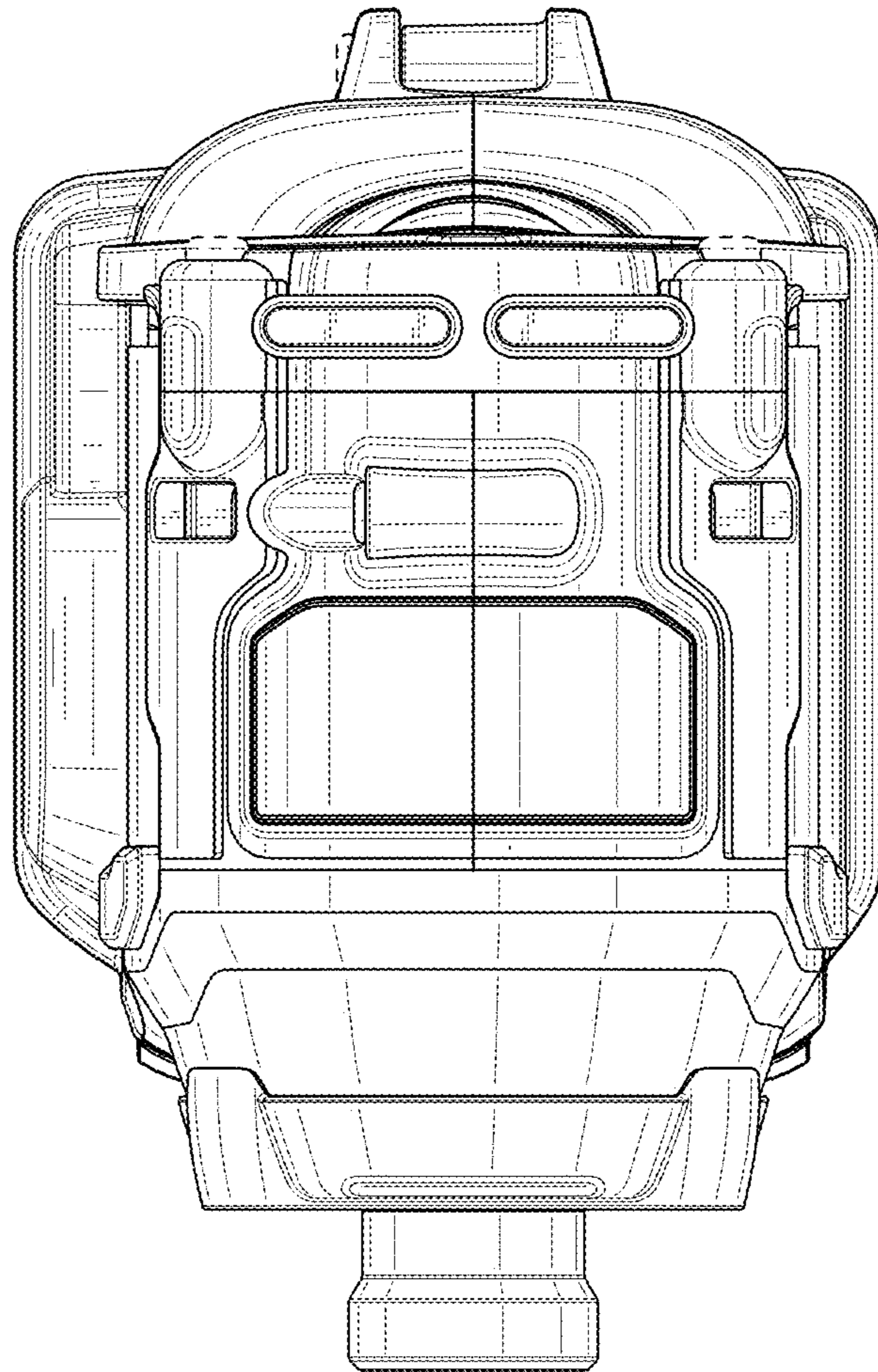


FIG. 6



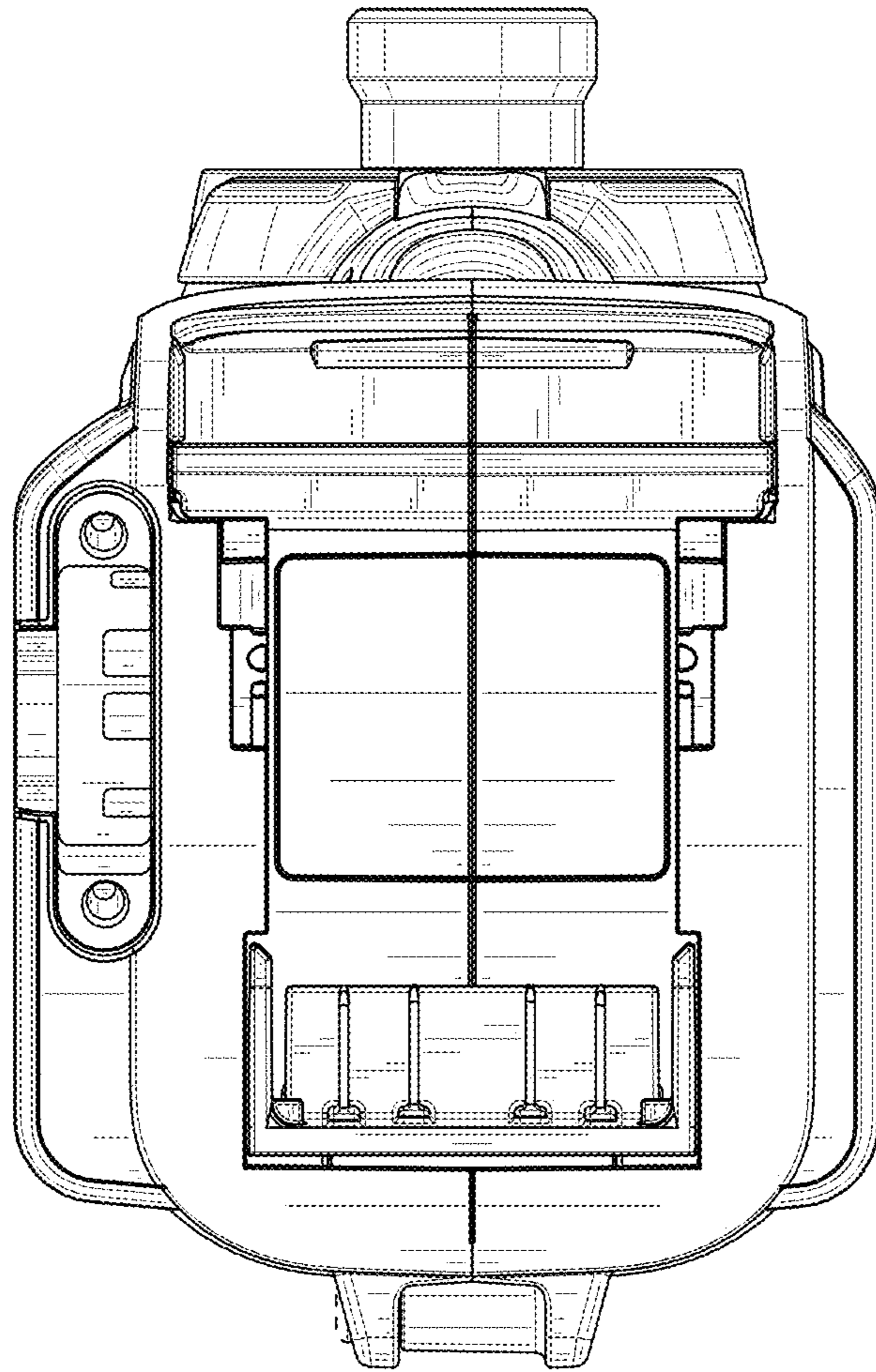


FIG. 7

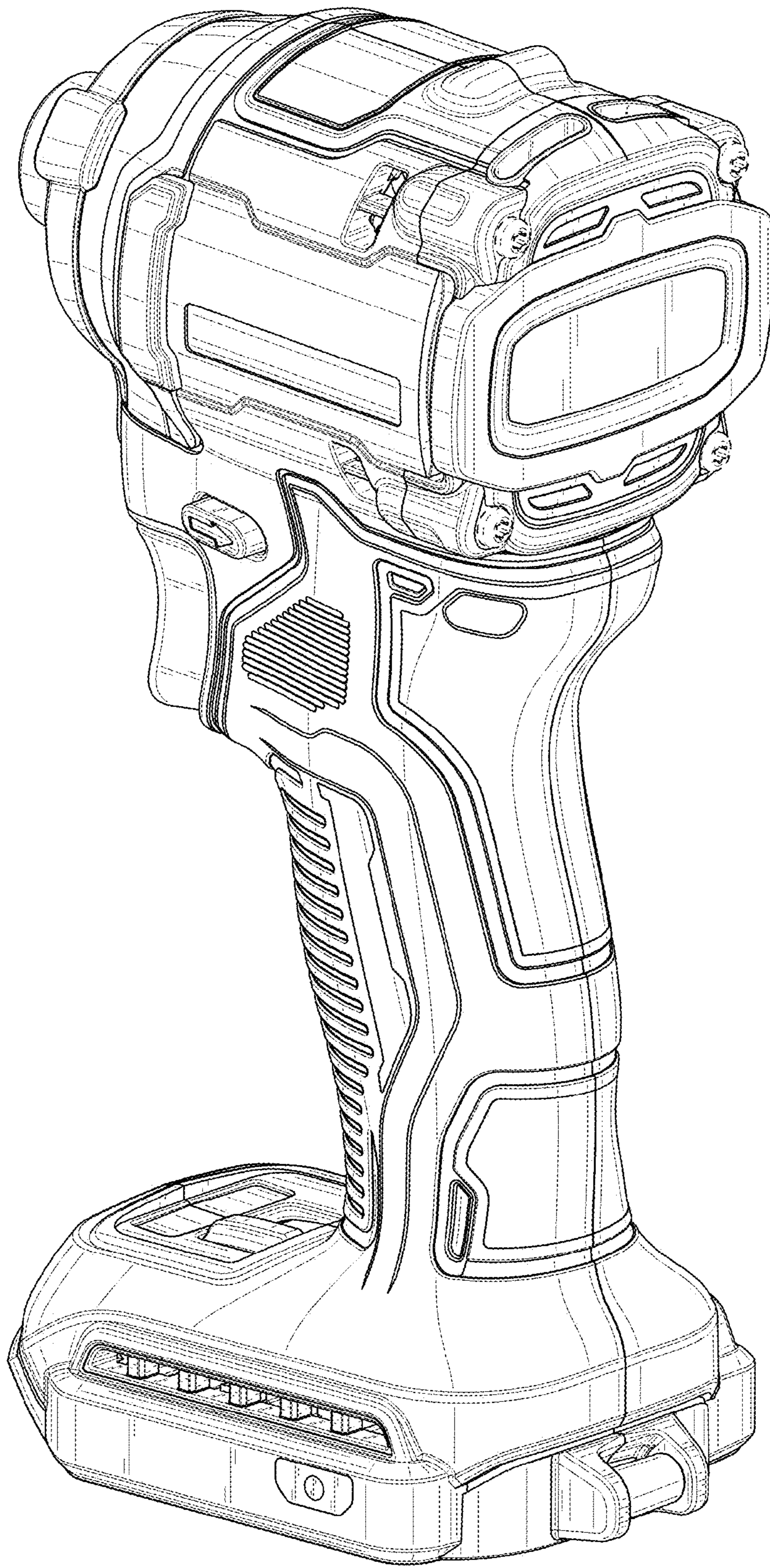


FIG. 8