



US00D956499S

(12) **United States Design Patent**
Nemoto

(10) **Patent No.:** **US D956,499 S**
(45) **Date of Patent:** **** Jul. 5, 2022**

(54) **SOLDERING IRON TWEEZERS**
(71) Applicant: **HAKKO CORPORATION**, Osaka
(JP)
(72) Inventor: **Hisao Nemoto**, Osaka (JP)
(73) Assignee: **HAKKO CORPORATION**, Osaka
(JP)
(**) Term: **15 Years**

6,750,431 B2 * 6/2004 Miyazaki H05K 13/0491
294/99.2
D505,053 S * 5/2005 Mituhiko D8/30
6,972,396 B2 * 12/2005 Miyazaki B23K 3/033
219/229
D548,554 S * 8/2007 Miyazaki D8/51
D564,318 S * 3/2008 Miyazaki D8/29.1
D641,221 S * 7/2011 Miyazaki D8/30
8,013,276 B2 * 9/2011 Carlomagno B23K 3/0361
228/55
D904,849 S * 12/2020 Nemoto D8/98
(Continued)

(21) Appl. No.: **29/762,686**
(22) Filed: **Dec. 17, 2020**
(51) **LOC (13) Cl.** **08-05**
(52) **U.S. Cl.**
USPC **D8/30**
(58) **Field of Classification Search**
USPC D8/29, 29.1, 29.2, 30, 51
CPC ... H05B 3/46; H05B 3/06; H05B 3/12; H05B
2203/03; H05B 2203/014; H02G 1/1278;
B23K 3/033; B23K 2101/40; H05K
13/0491; H01R 43/205
See application file for complete search history.

OTHER PUBLICATIONS

AN115-A Adjustable Nano Tweezers.
AM120-A Adjustable Micro Tweezers.
AT420-A Adjustable Thermal Tweezers.

Primary Examiner — Philip S Hyder
(74) *Attorney, Agent, or Firm* — Squire Patton Boggs
(US) LLP

(57) **CLAIM**

The ornamental design for soldering iron tweezers, as shown and described.

(56) **References Cited**

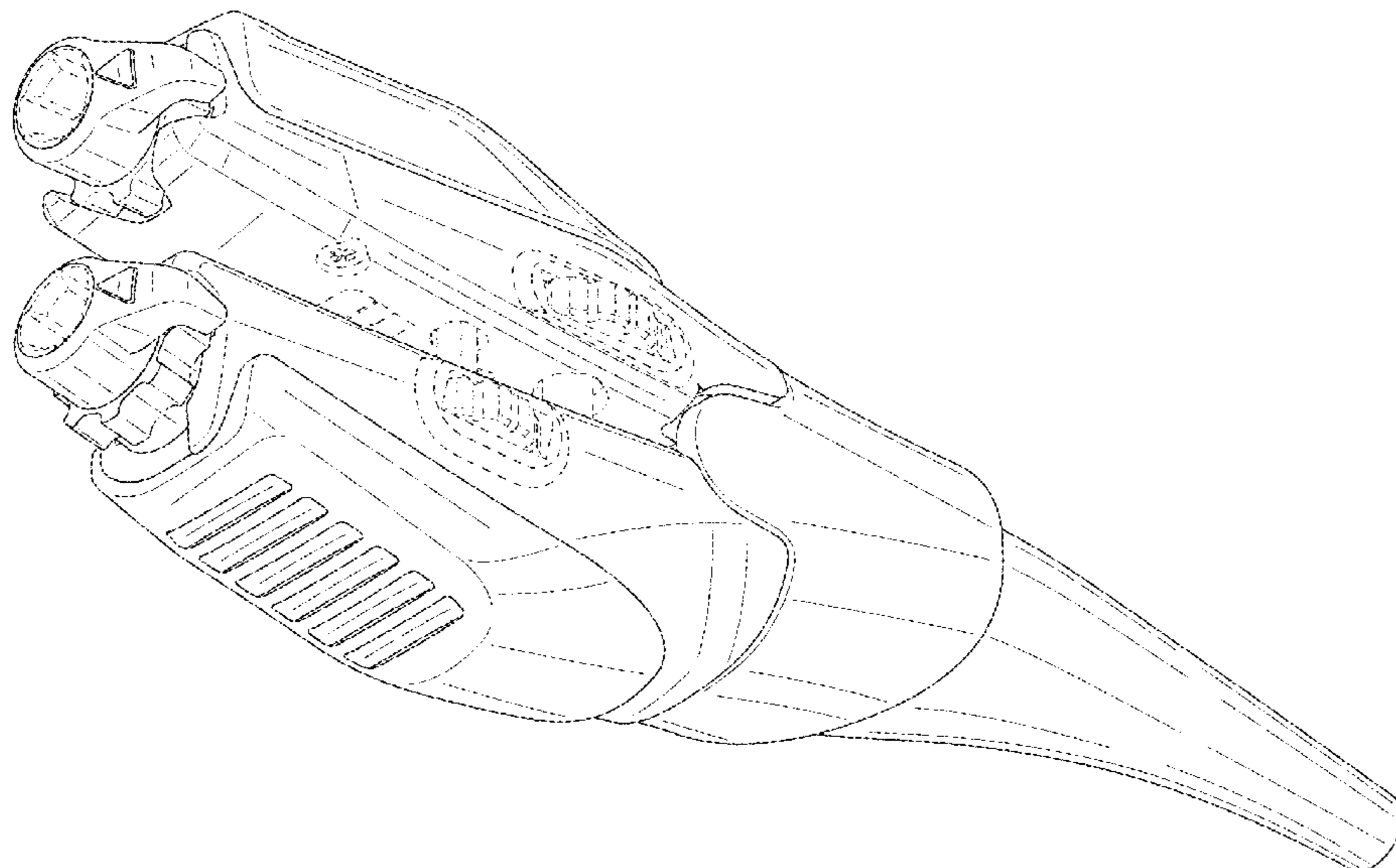
DESCRIPTION

U.S. PATENT DOCUMENTS

3,629,541 A * 12/1971 Mims B23K 11/31
219/86.61
3,752,017 A * 8/1973 Lloyd B29C 66/8227
219/233
4,932,291 A * 6/1990 Potesta H02G 1/1278
219/233
5,257,555 A * 11/1993 Saunders H02G 1/1278
219/234
5,351,580 A * 10/1994 Potesta H02G 1/1275
219/233
D381,880 S * 8/1997 LaValley D8/29.2
5,690,847 A * 11/1997 LaValley B23K 3/0369
219/233
D491,030 S 6/2004 Mituhiko

FIG. 1 is a first perspective view of soldering iron tweezers showing our new design;
FIG. 2 is a second perspective view thereof;
FIG. 3 is a front view thereof;
FIG. 4 is a rear view thereof;
FIG. 5 is a left side view thereof;
FIG. 6 is a right side view thereof;
FIG. 7 is a top view thereof; and,
FIG. 8 is a bottom view thereof.
The broken lines depict portions of the soldering iron tweezers in which the design is embodied that are not considered part of the claimed design.

1 Claim, 8 Drawing Sheets



(56)

References Cited

U.S. PATENT DOCUMENTS

2004/0206740 A1* 10/2004 Miyazaki B23K 3/033
219/229
2019/0341753 A1* 11/2019 Nemoto H05B 3/46

* cited by examiner

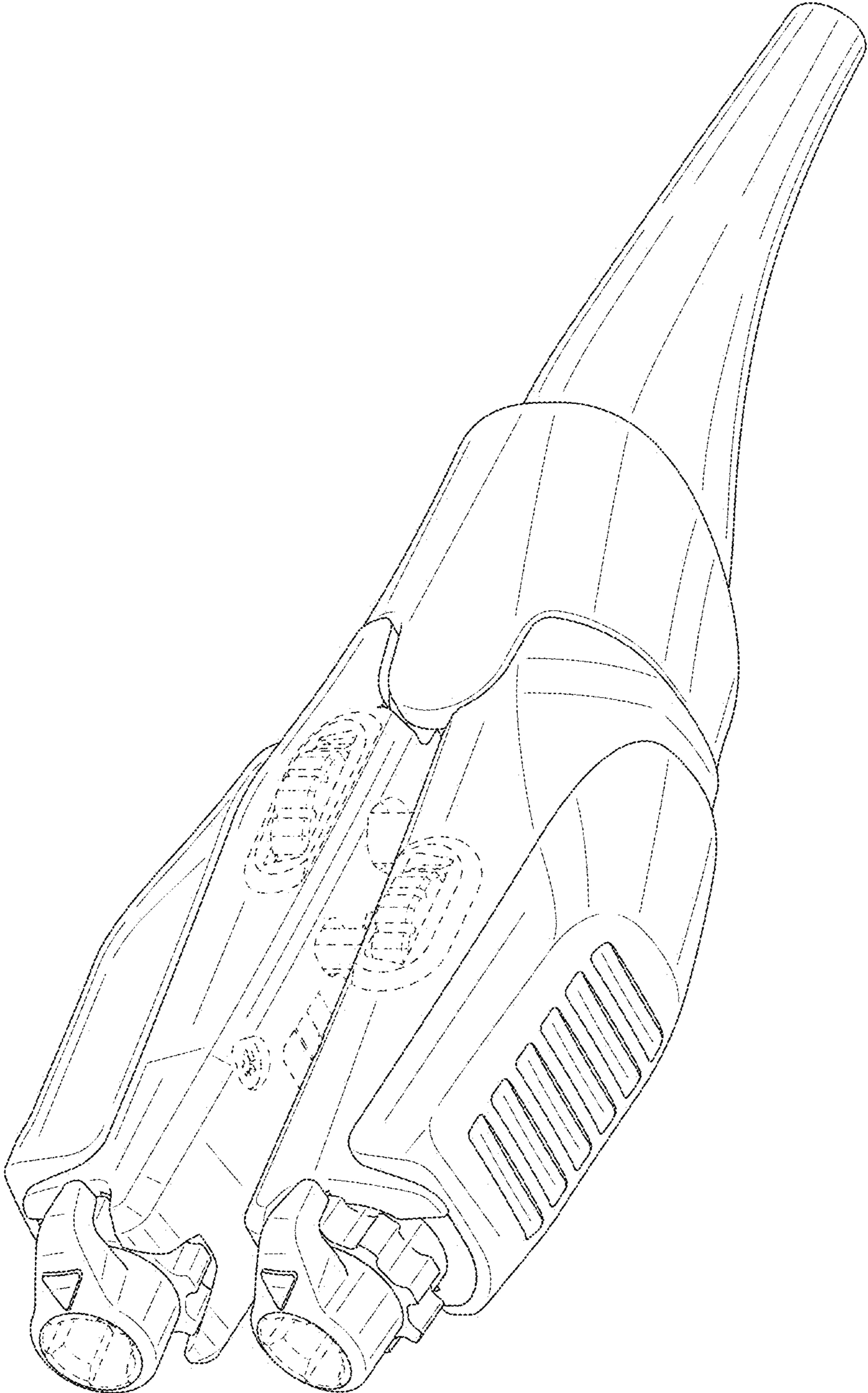


FIG. 1

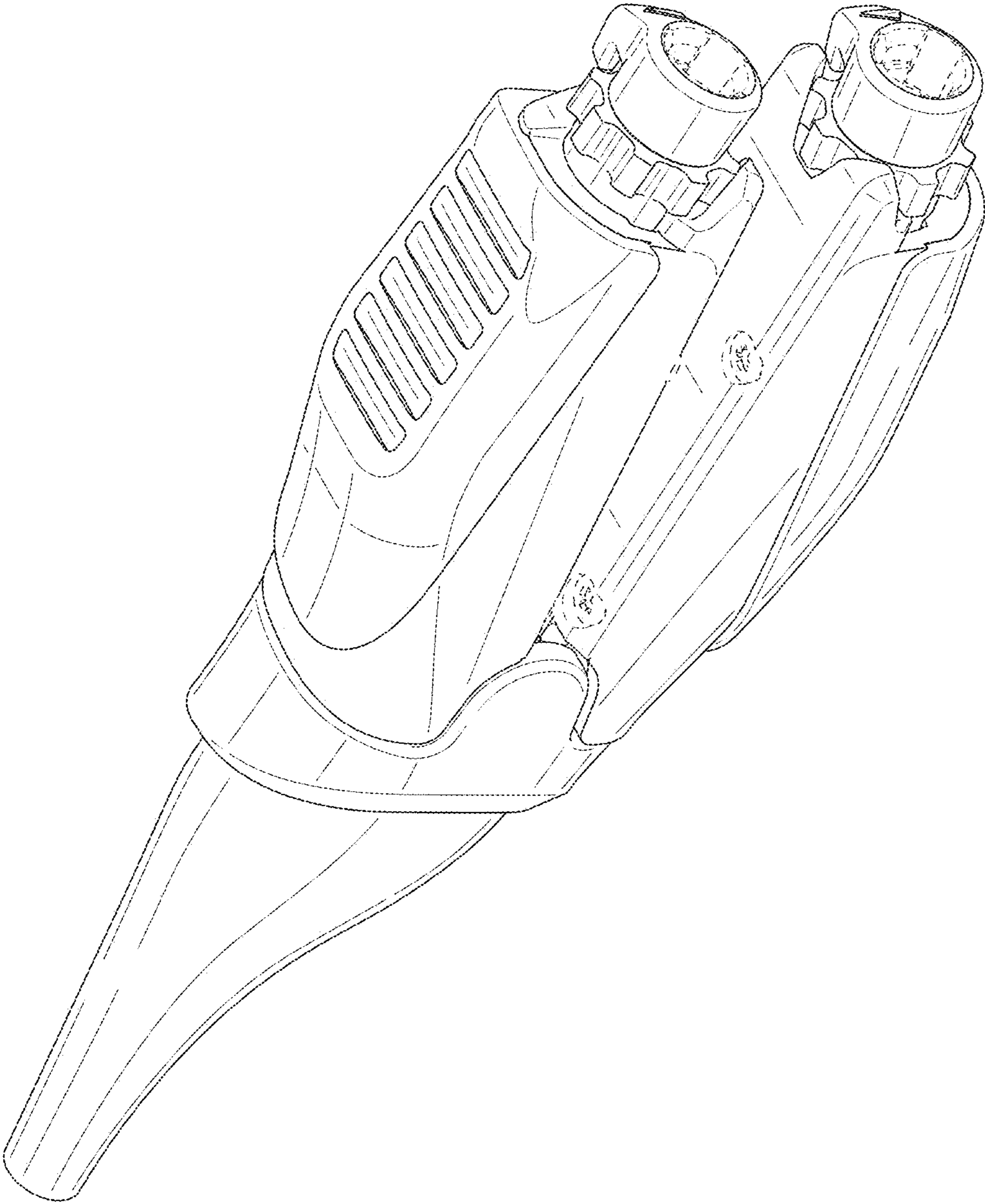


FIG. 2

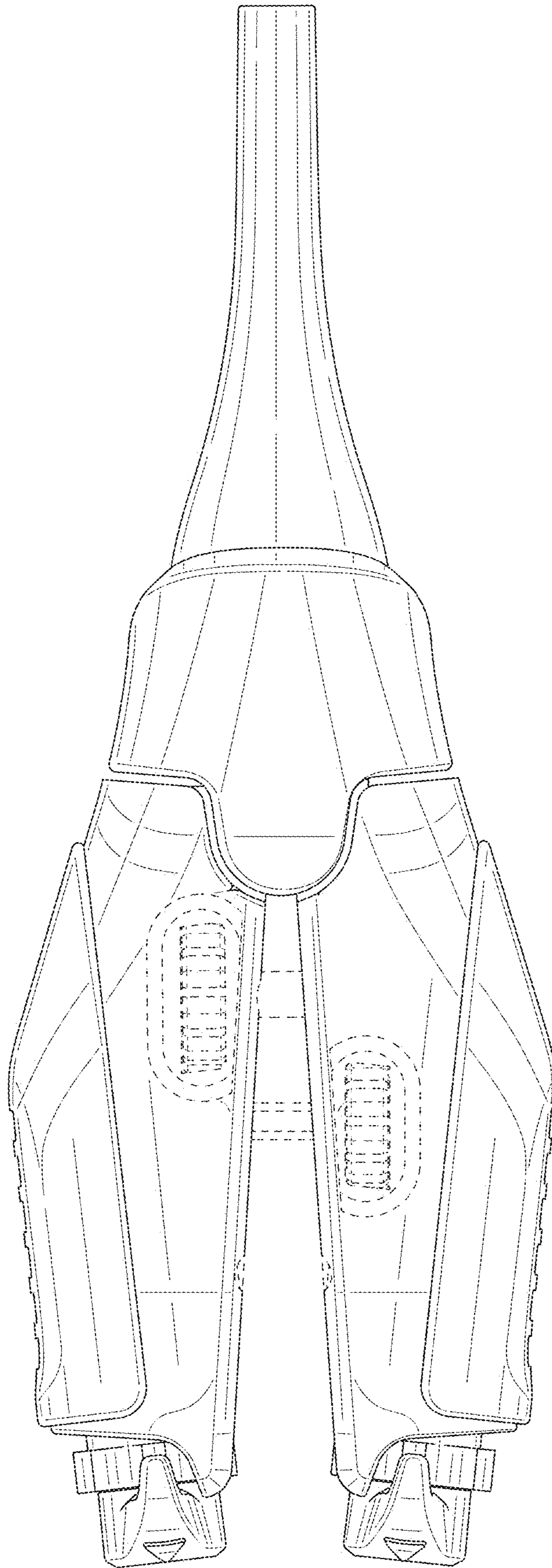


FIG. 3

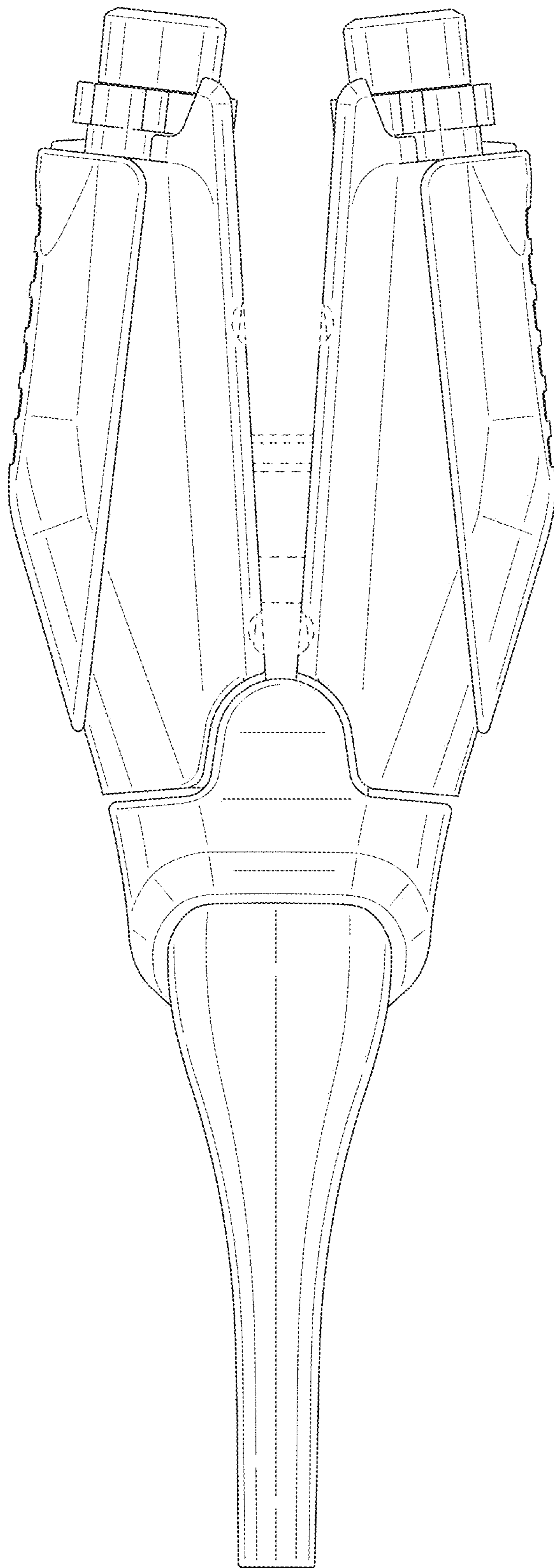


FIG. 4

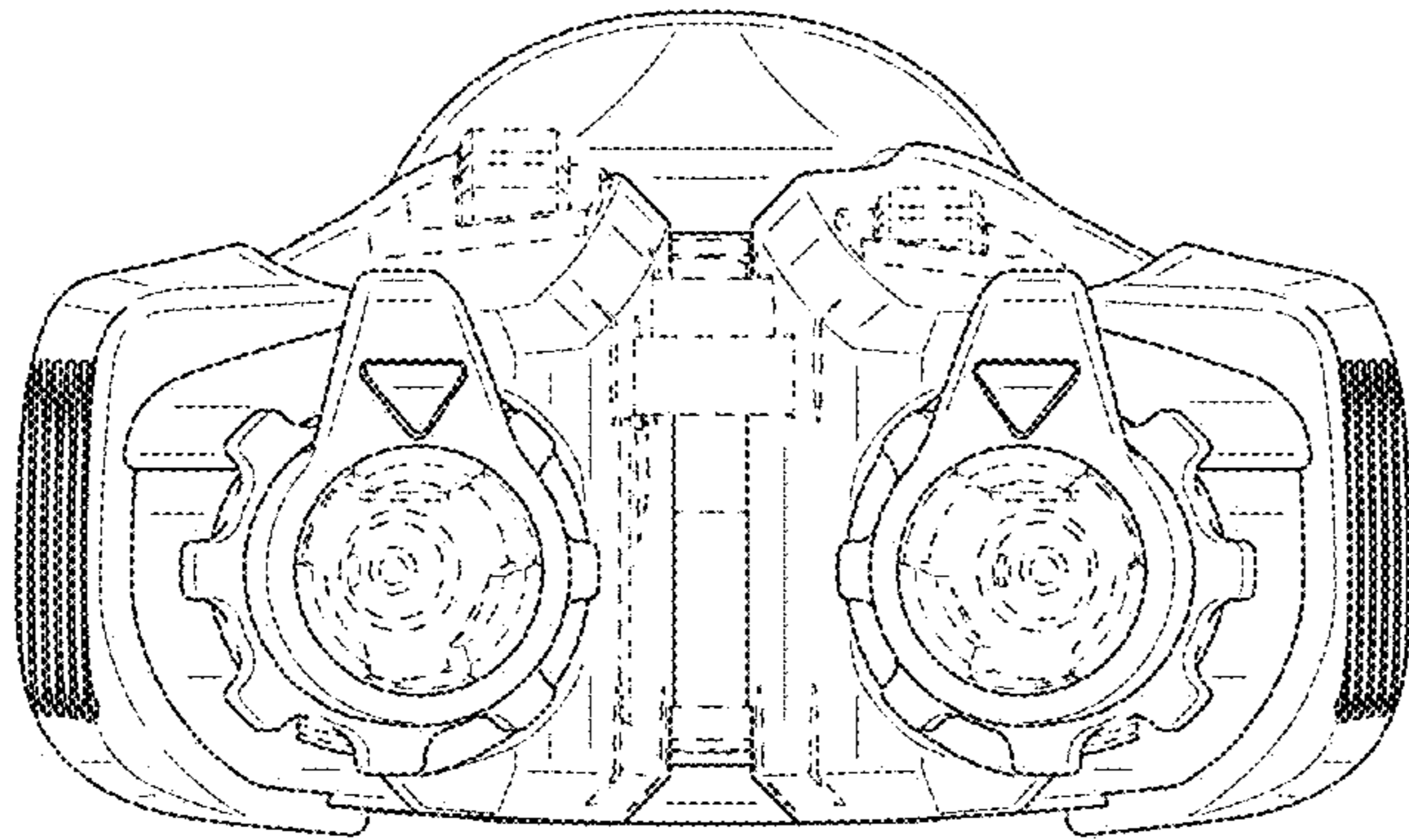


FIG. 5

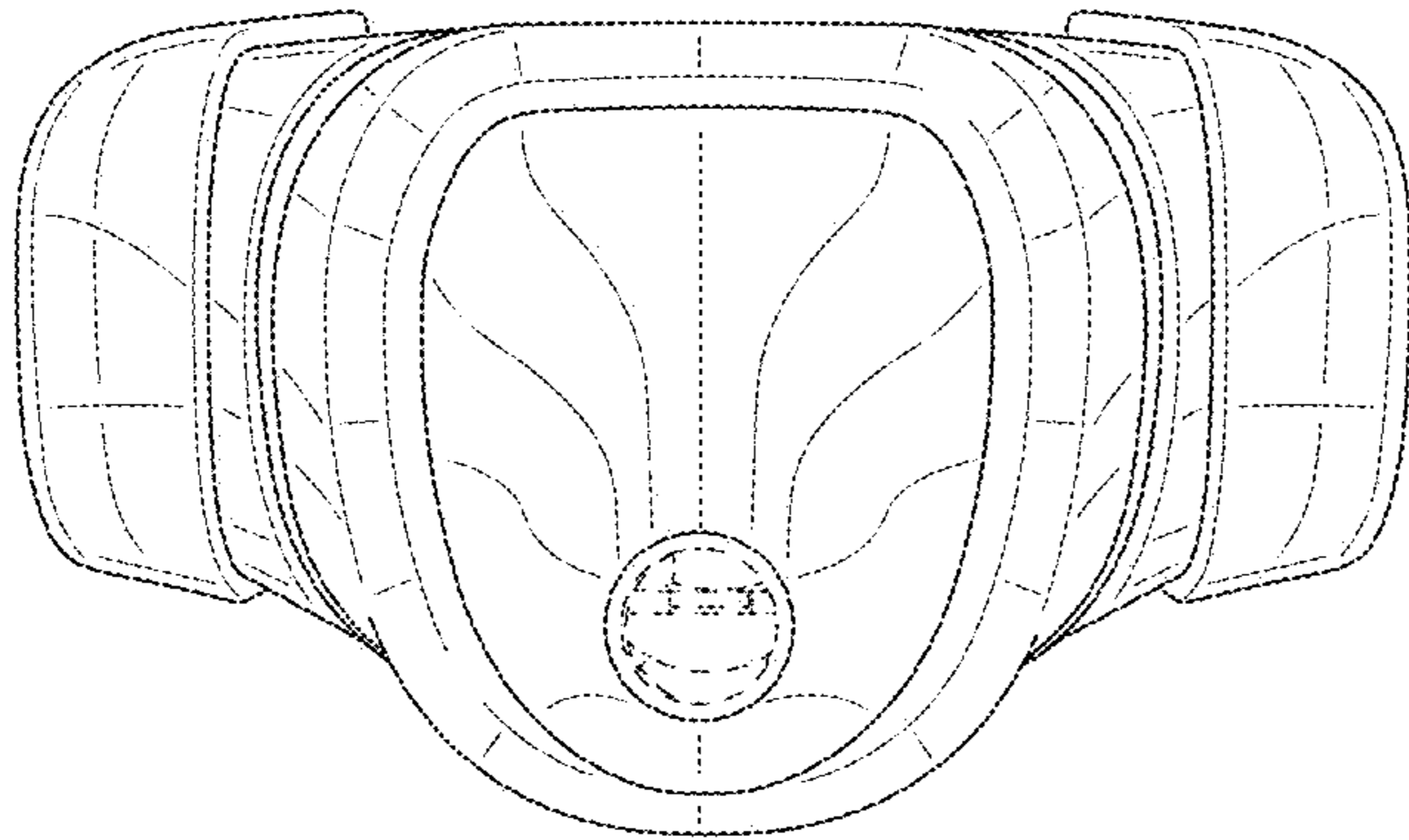


FIG. 6

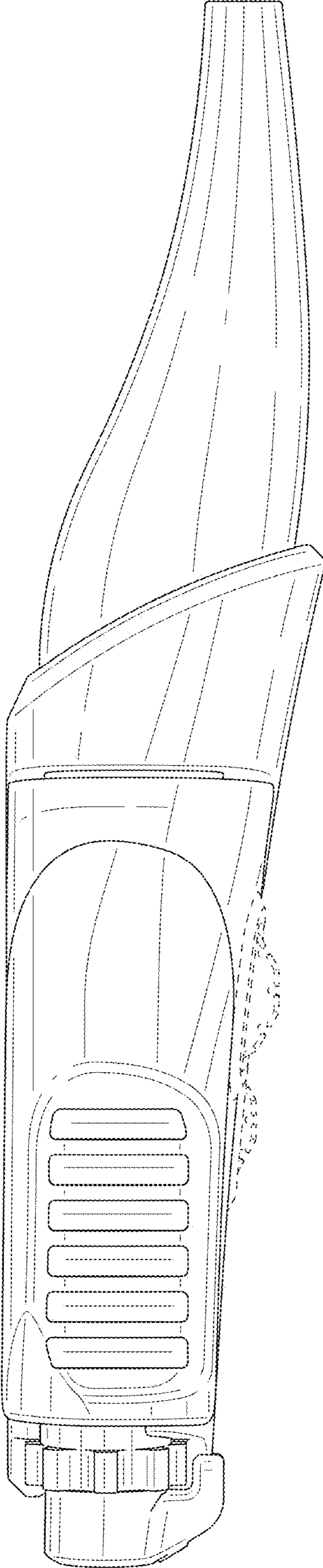


FIG. 7

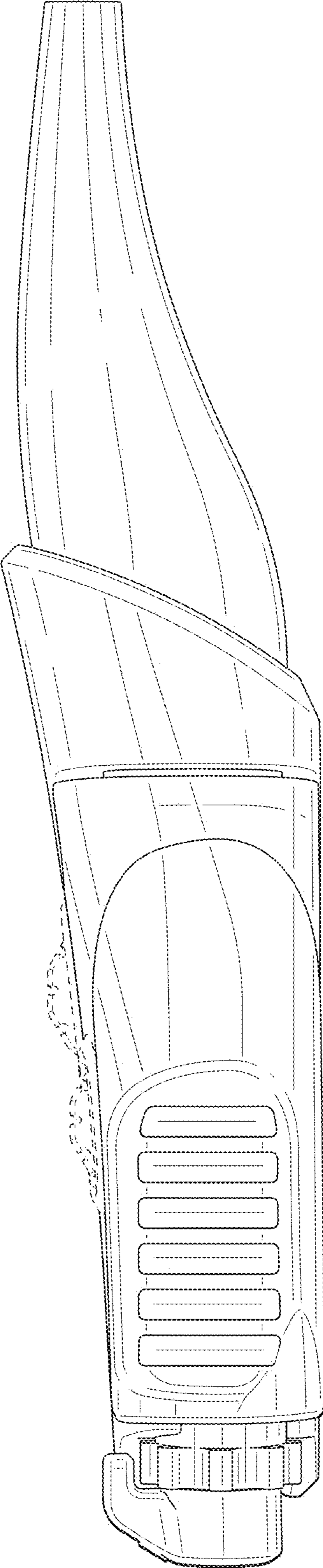


FIG. 8