



US00D956498S

(12) **United States Design Patent**
Fausett

(10) **Patent No.:** **US D956,498 S**

(45) **Date of Patent:** **** Jul. 5, 2022**

- (54) **WRENCH EXTENSION APPARATUS**
- (71) Applicant: **Carl Fausett**, Horicon, WI (US)
- (72) Inventor: **Carl Fausett**, Horicon, WI (US)
- (**) Term: **15 Years**
- (21) Appl. No.: **29/802,018**
- (22) Filed: **Aug. 2, 2021**

Related U.S. Application Data

- (63) Continuation-in-part of application No. 17/387,828, filed on Jul. 28, 2021.
- (51) **LOC (13) Cl.** **08-05**
- (52) **U.S. Cl.**
USPC **D8/21; D8/27**
- (58) **Field of Classification Search**
USPC D8/14, 21, 25, 26, 27, 105, 88, 89, 107,
D8/300, 349, 354
CPC B25G 1/063; B25G 1/043; B25G 3/12;
B25B 23/16
See application file for complete search history.

(56) **References Cited**

U.S. PATENT DOCUMENTS

2,951,405	A	9/1960	Engquist	
3,376,768	A *	4/1968	Fortunato	B25G 1/043 81/439
4,644,600	A *	2/1987	Fugate	B25B 27/02 81/177.2
D372,409	S	8/1996	Wright et al.	
D386,656	S	11/1997	Kyser	
5,904,077	A	5/1999	Wright	
6,257,102	B1 *	7/2001	Perry	B25G 1/005 81/177.1
6,267,030	B1 *	7/2001	Rodoni	B25G 1/043 81/177.2
D598,257	S *	8/2009	Darby	D8/27

8,931,376	B2 *	1/2015	Humphrey	B25G 1/005 81/177.2
D759,448	S *	6/2016	Sampson, Sr.	D8/27
D802,399	S *	11/2017	Ward	D8/367
D813,625	S *	3/2018	Smith	D8/21
D829,518	S	10/2018	McLeod	
2005/0183550	A1 *	8/2005	Day	B25G 1/043 81/177.2
2007/0062343	A1	3/2007	Dodson	
2013/0098211	A1 *	4/2013	Sampson, Sr.	B25G 1/005 81/177.2
2015/0258668	A1 *	9/2015	Crawford	B25B 13/481 81/57.3
2016/0318170	A1 *	11/2016	Mulligan	B25G 1/005
2016/0325427	A1 *	11/2016	Bolivar	B25G 1/005
2017/0320208	A1 *	11/2017	Culkin	B25G 1/005
2018/0126518	A1 *	5/2018	Chan	B25B 13/005
2022/0032429	A1 *	2/2022	Fausett	B25G 1/063

* cited by examiner

Primary Examiner — Philip S Hyder

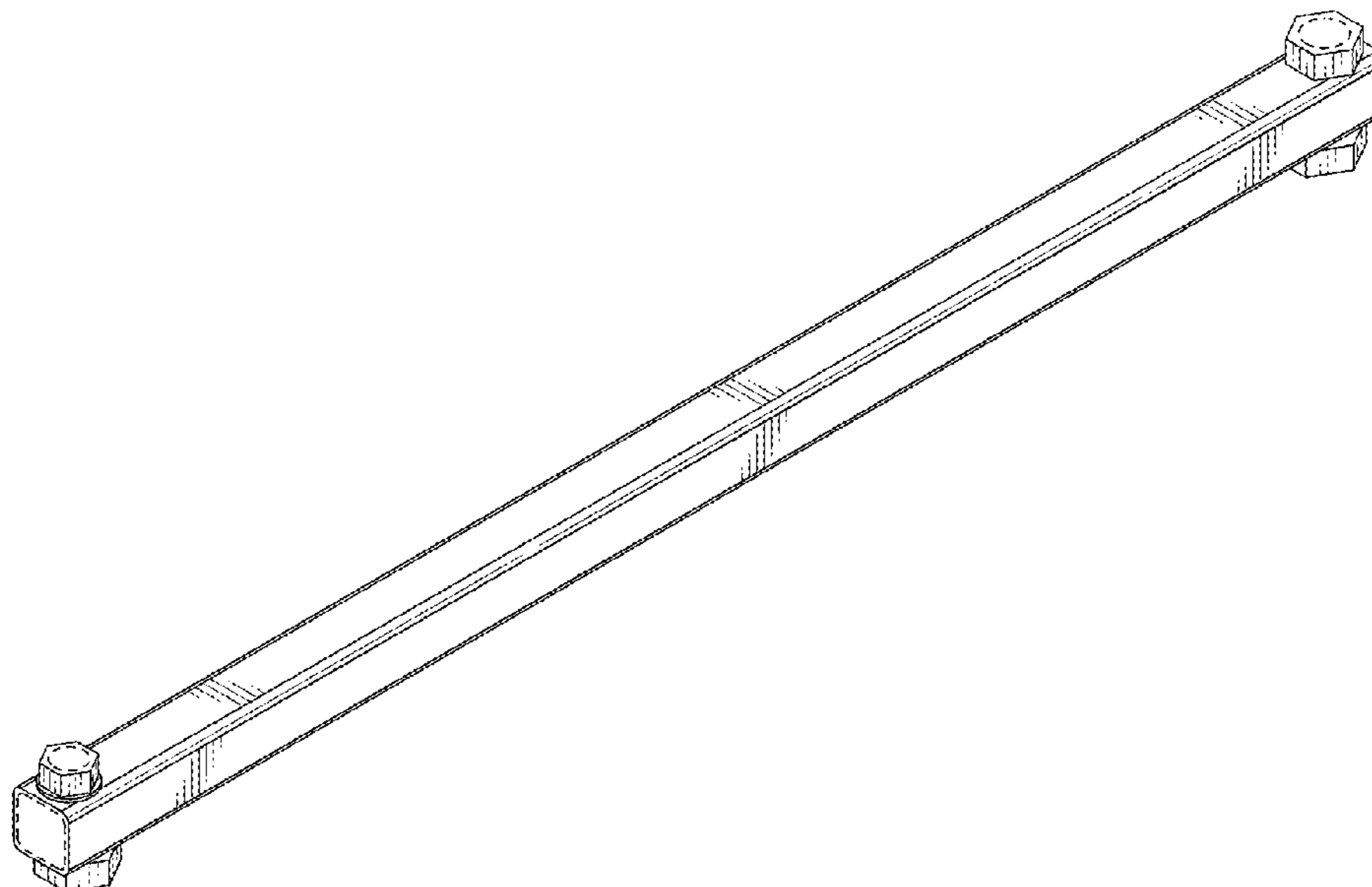
(57) **CLAIM**

The ornamental design for a wrench extension apparatus, as shown and described.

DESCRIPTION

FIG. 1 is a top-front-left perspective view of a wrench extension apparatus showing my new design;
 FIG. 2 is a bottom-rear-right perspective view thereof;
 FIG. 3 is an enlarged front elevational view thereof;
 FIG. 4 is an enlarged rear elevational view thereof;
 FIG. 5 is a top plan view thereof;
 FIG. 6 is a bottom plan view thereof;
 FIG. 7 is a right elevational view thereof; and,
 FIG. 8 is a left elevational view thereof.
 The broken lines showing fastener orifices in FIGS. 1-2 and 5-6, and the broken lines showing tube openings in FIGS. 1-4 are included for the purpose of illustrating aspects of the article that form no part of the claimed design.

1 Claim, 8 Drawing Sheets



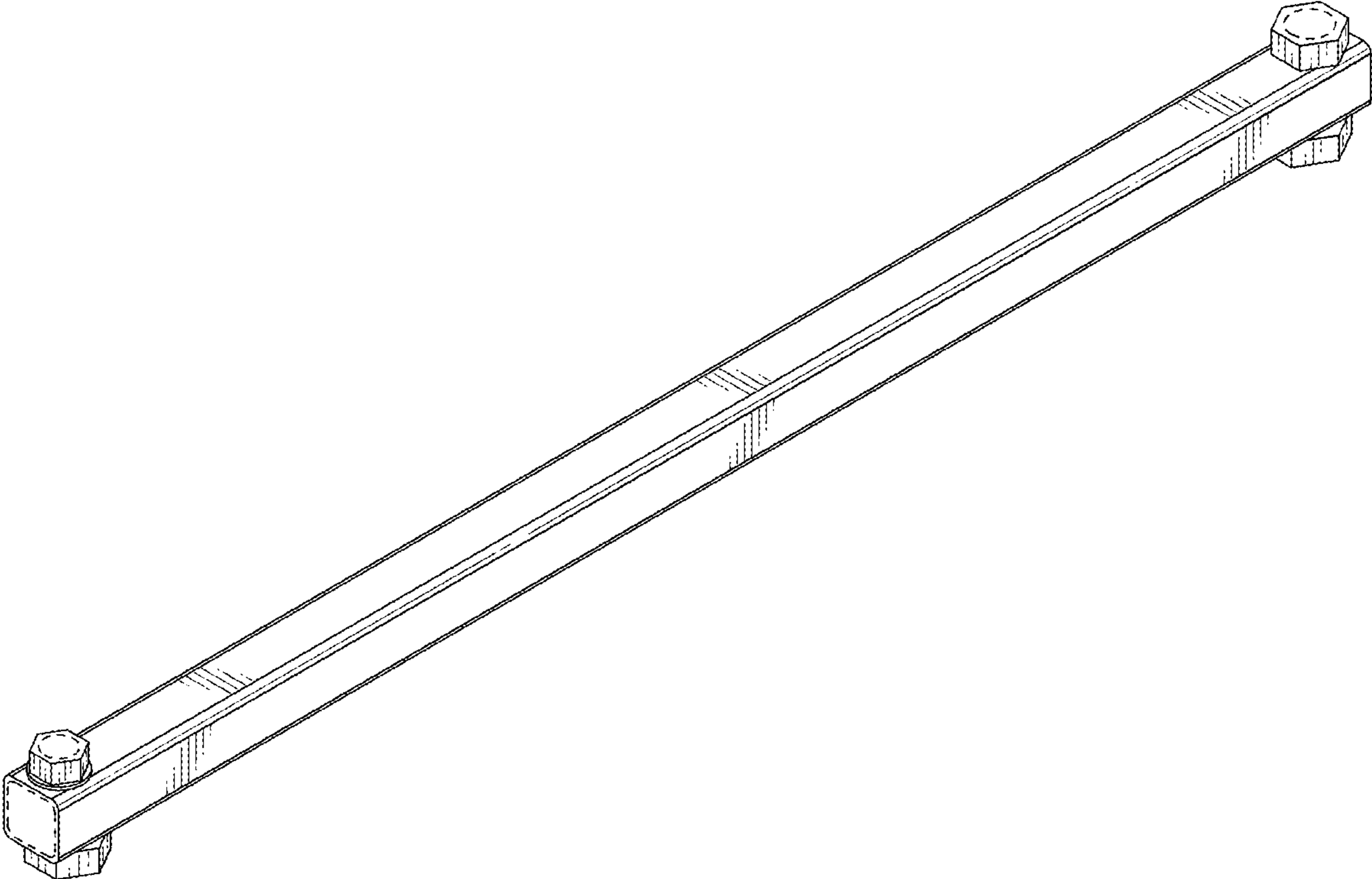


FIG. 1

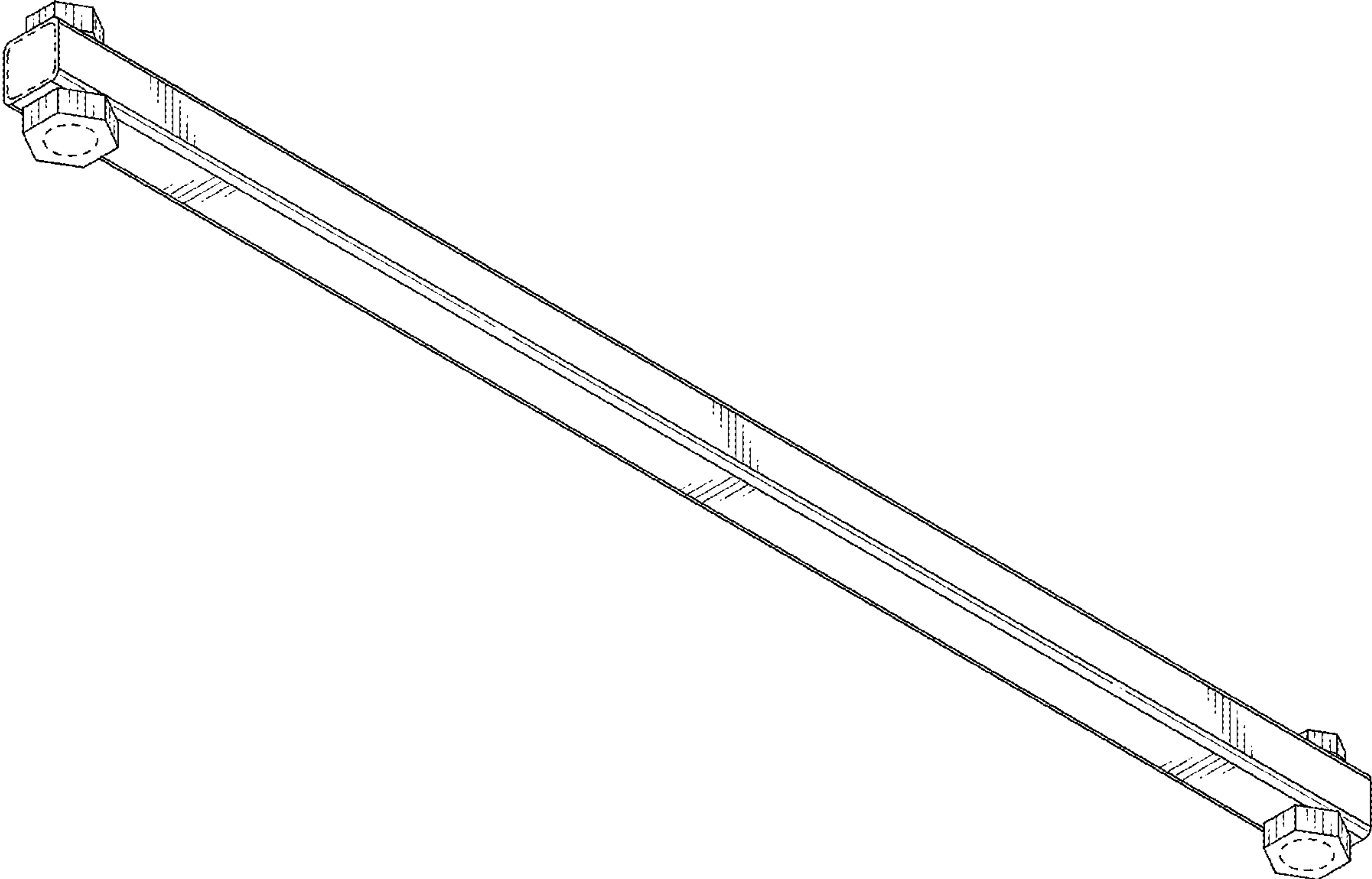


FIG. 2

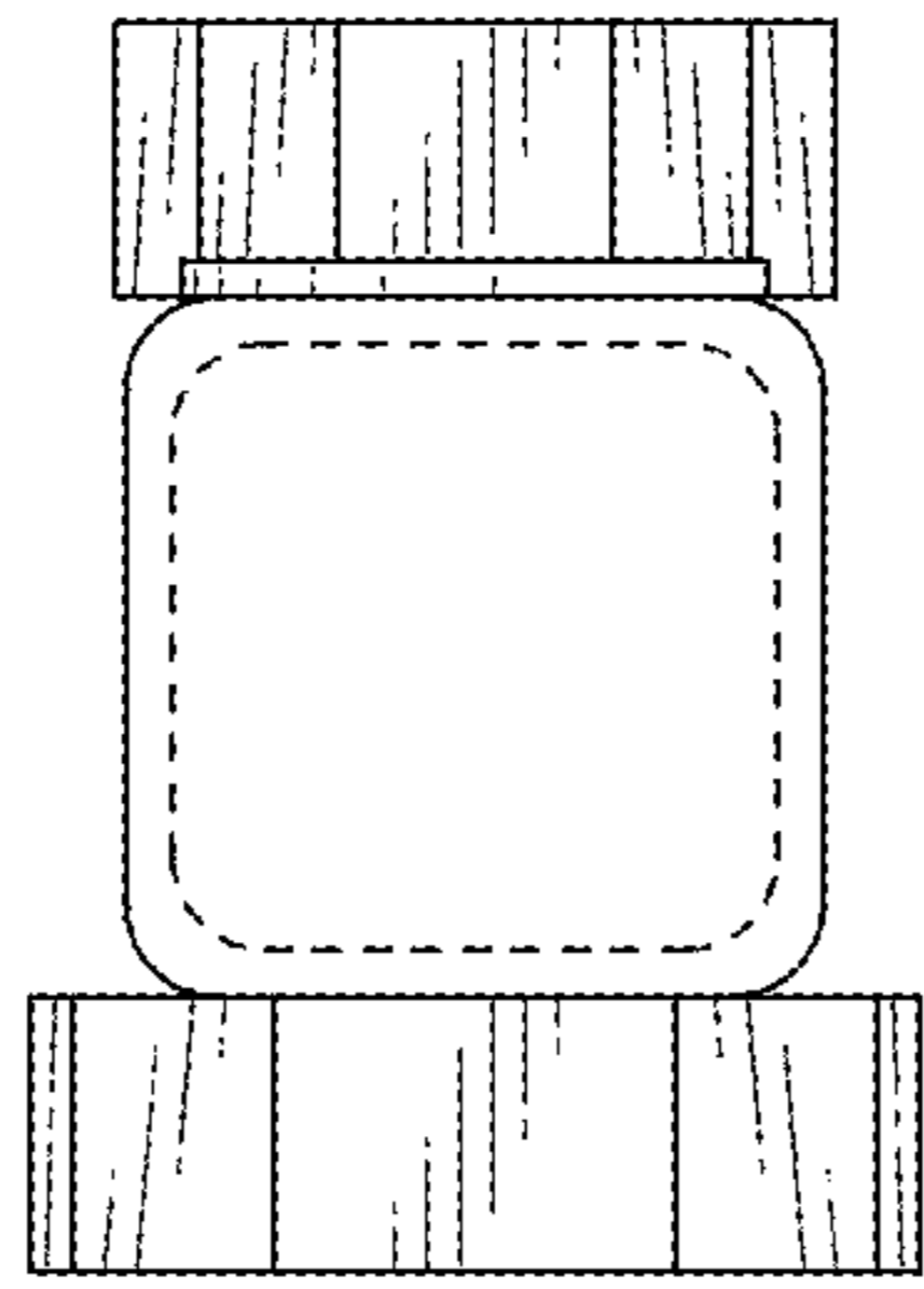


FIG. 3

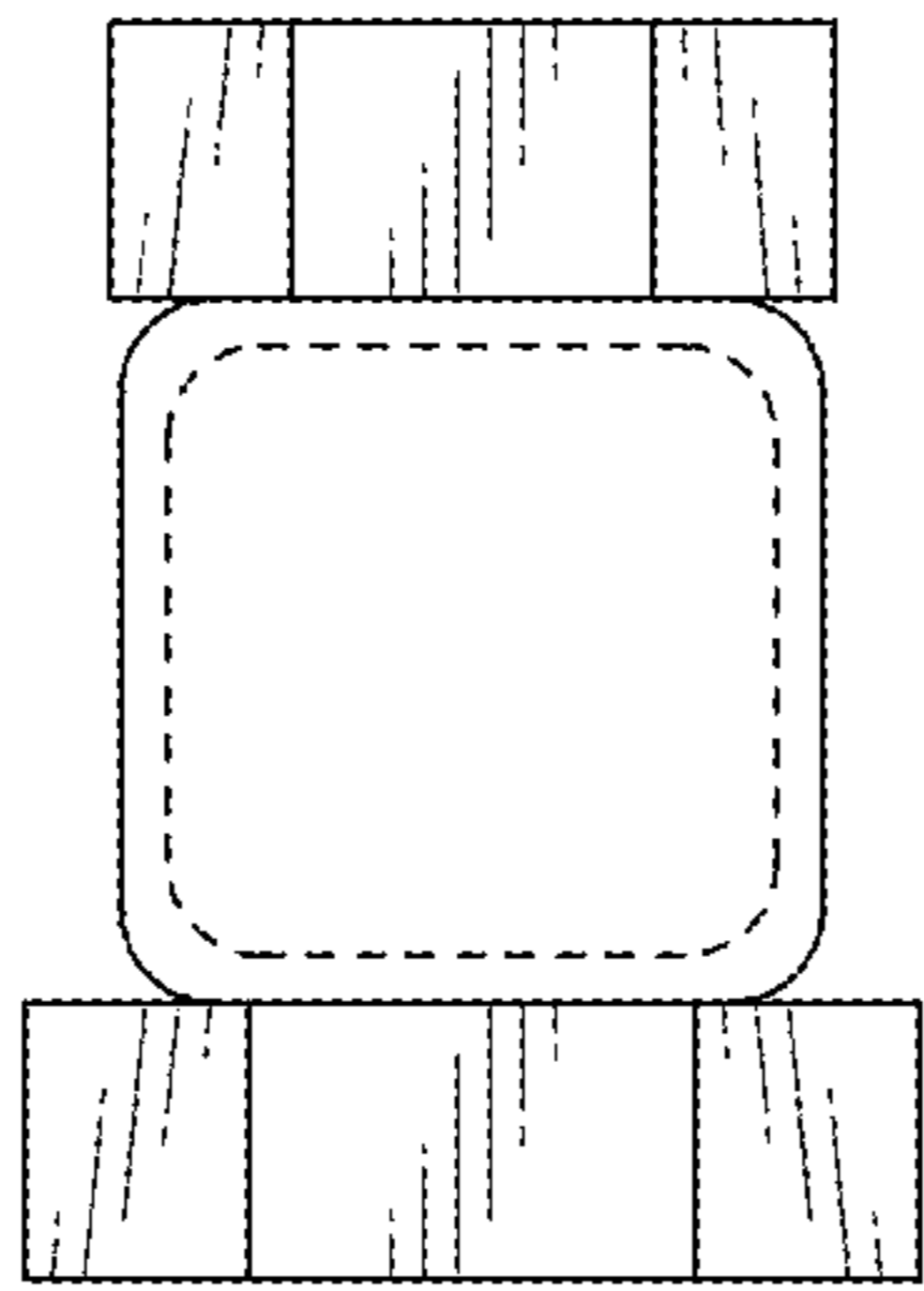


FIG. 4

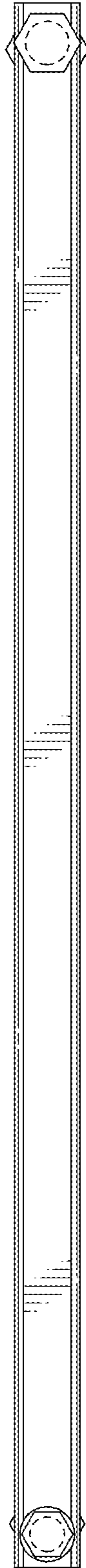


FIG. 5

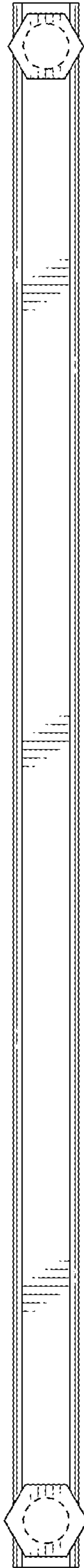


FIG. 6

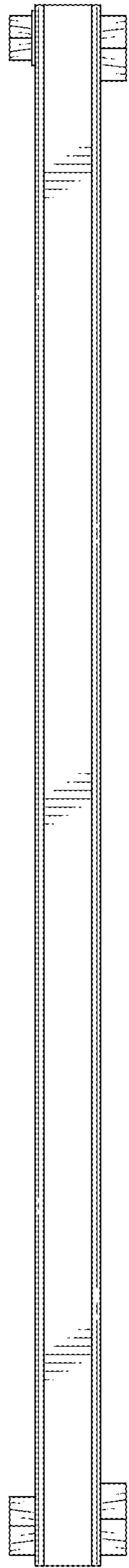


FIG. 7

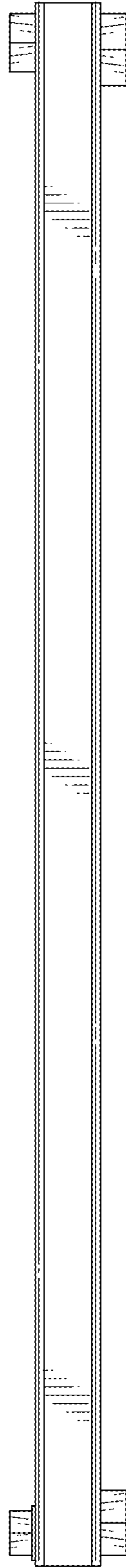


FIG. 8