



US00D956495S

(12) **United States Design Patent**
Yang et al.

(10) **Patent No.: US D956,495 S**
(45) **Date of Patent: ** *Jul. 5, 2022**

- (54) **GLUE GUN**
- (71) Applicant: **Zhejiang Prulde Electric Appliance Co., Ltd., Zhejiang (CN)**
- (72) Inventors: **Weiming Yang, Zhejiang (CN); Ting Han, Zhejiang (CN)**
- (73) Assignee: **Zhejiang Prulde Electric Appliance Co., Ltd., Zhejiang (CN)**
- (*) Notice: This patent is subject to a terminal disclaimer.

8,875,948 B2 * 11/2014 Naughton B05C 17/00553
222/137
D719,424 S * 12/2014 Okuda D8/14.1
D725,978 S * 4/2015 Uematsu D8/14.1
D751,875 S * 3/2016 Eckstein D8/14.1
D817,137 S * 5/2018 Becket D8/68
2008/0011784 A1 * 1/2008 Schneider B05C 17/00583
222/333
2008/0197154 A1 * 8/2008 Herman B05C 17/01
222/326
2013/0043281 A1 * 2/2013 Hsu B05C 17/0103
222/333
2013/0266893 A1 * 10/2013 Gyoda G03F 1/70
430/5

(**) Term: **15 Years**

(21) Appl. No.: **29/718,531**

(22) Filed: **Dec. 26, 2019**

(51) **LOC (13) Cl. 08-05**

(52) **U.S. Cl.**
USPC **D8/14.1**

(58) **Field of Classification Search**
USPC D8/14, 14.1, 30, 51, 68
CPC B05C 1/00; B05C 17/00; B05C 17/01; B05C
17/0016; B05C 17/0123; B05C 21/00
See application file for complete search history.

(56) **References Cited**

U.S. PATENT DOCUMENTS

D545,152 S * 6/2007 Lopano D8/14.1
D548,551 S * 8/2007 Lopano D8/14.1
D573,425 S * 7/2008 Post D8/14.1
7,637,392 B2 * 12/2009 Hsu B05C 17/0103
222/137
D635,835 S * 4/2011 Post D8/14.1
D636,091 S * 4/2011 Brummitt D24/221
8,528,785 B2 * 9/2013 Naughton B05C 17/0103
222/137
8,573,450 B2 * 11/2013 Hsu B05C 17/0103
222/333

FOREIGN PATENT DOCUMENTS

CN 305300543 8/2019
EM 006302311-0001 4/2019

* cited by examiner

Primary Examiner — Philip S Hyder

(74) *Attorney, Agent, or Firm* — JCIP Global Inc.

(57) **CLAIM**

The ornamental design for a glue gun, as shown and described.

DESCRIPTION

FIG. 1 is a perspective view of a glue gun showing our new design;

FIG. 2 is a front view thereof;

FIG. 3 is a rear view thereof;

FIG. 4 is a right side view thereof;

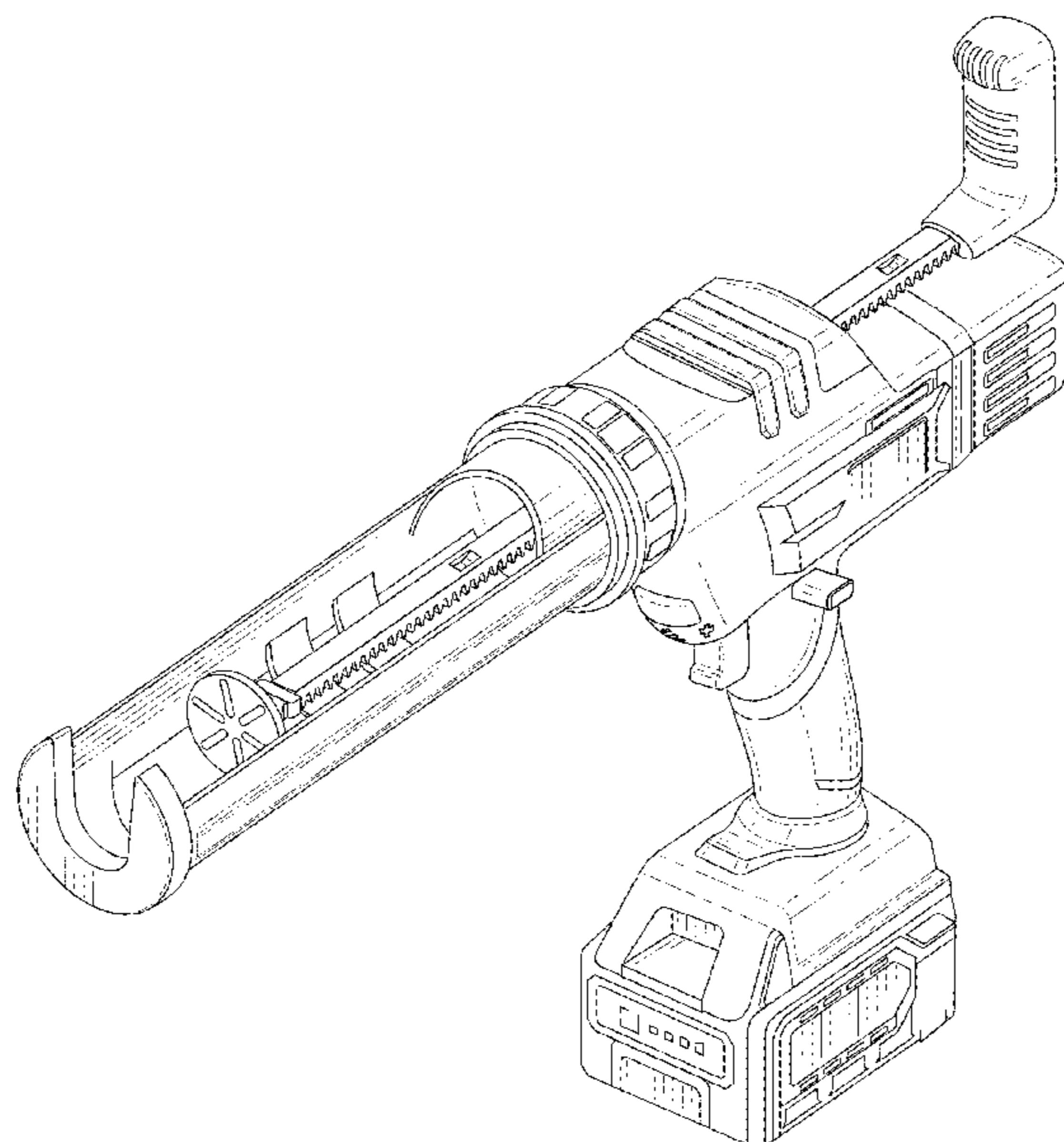
FIG. 5 is a left side view thereof;

FIG. 6 is a top view thereof; and,

FIG. 7 is a bottom view thereof.

The broken lines in drawings represent portions of the glue gun that form no part of the claimed design.

1 Claim, 7 Drawing Sheets



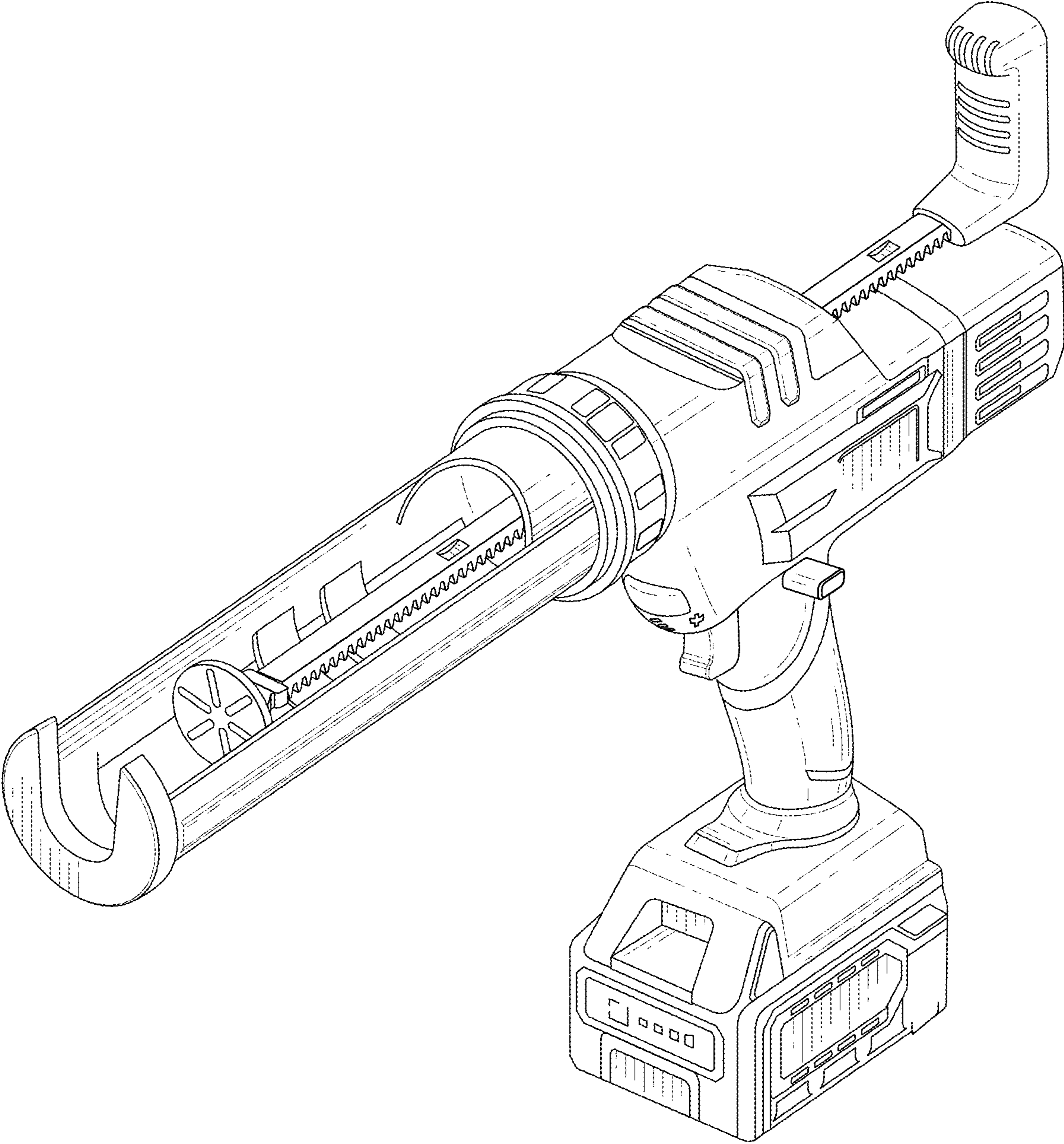


FIG. 1

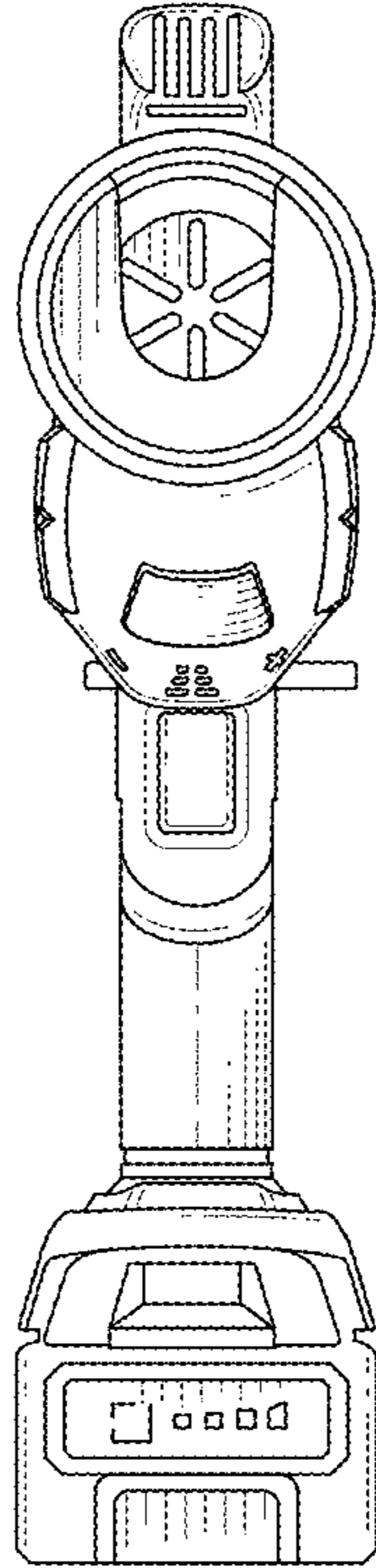


FIG. 2

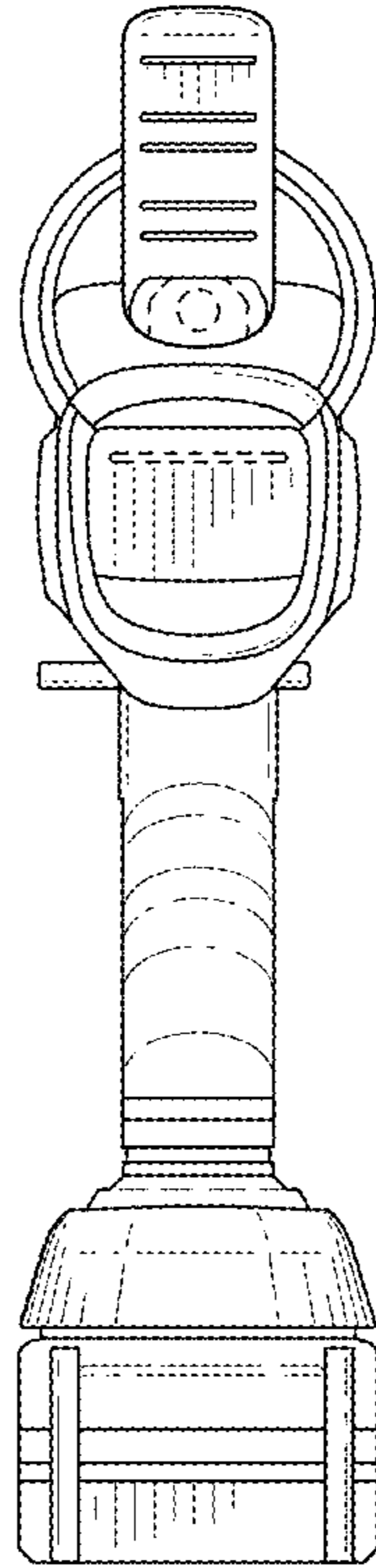
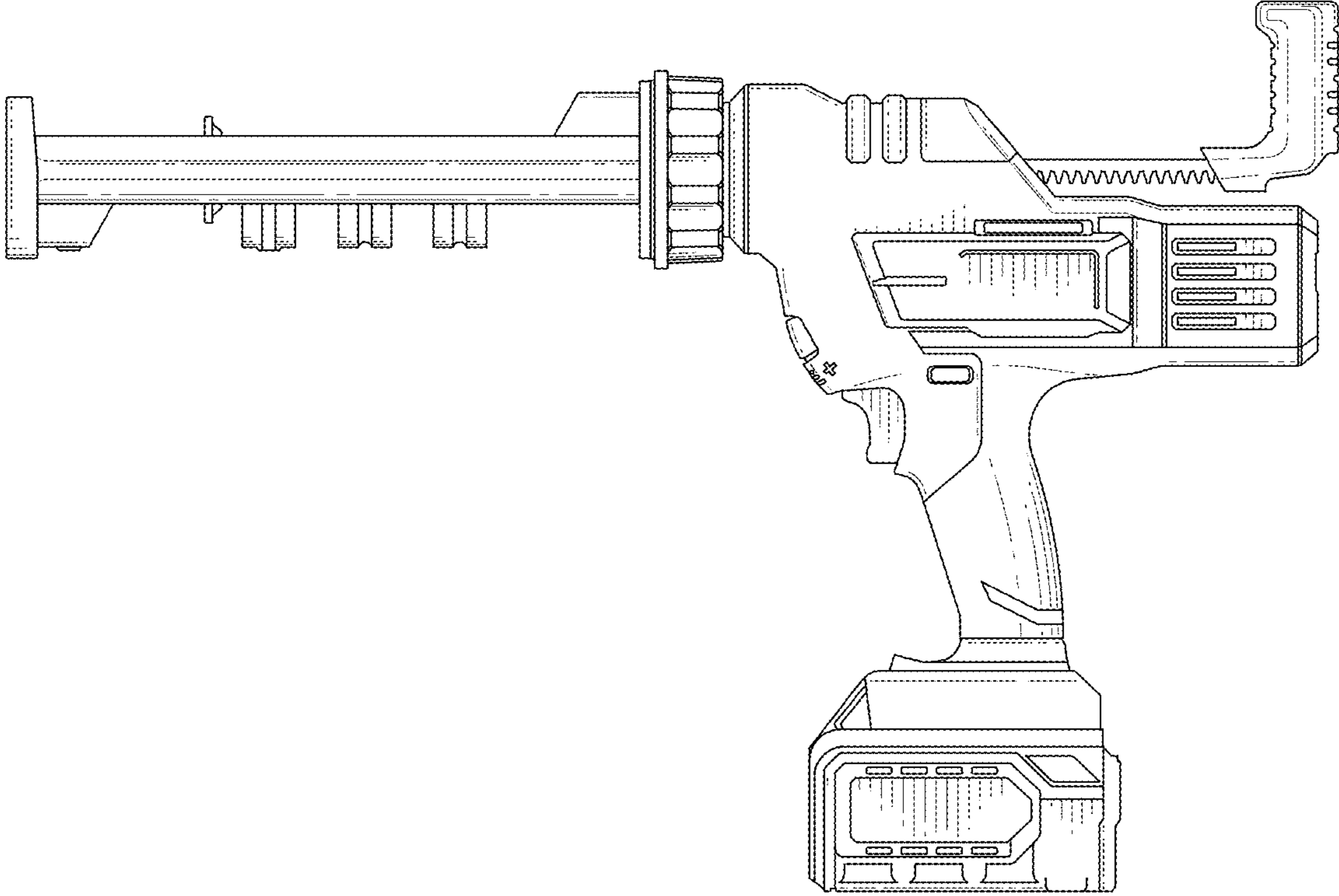


FIG. 3



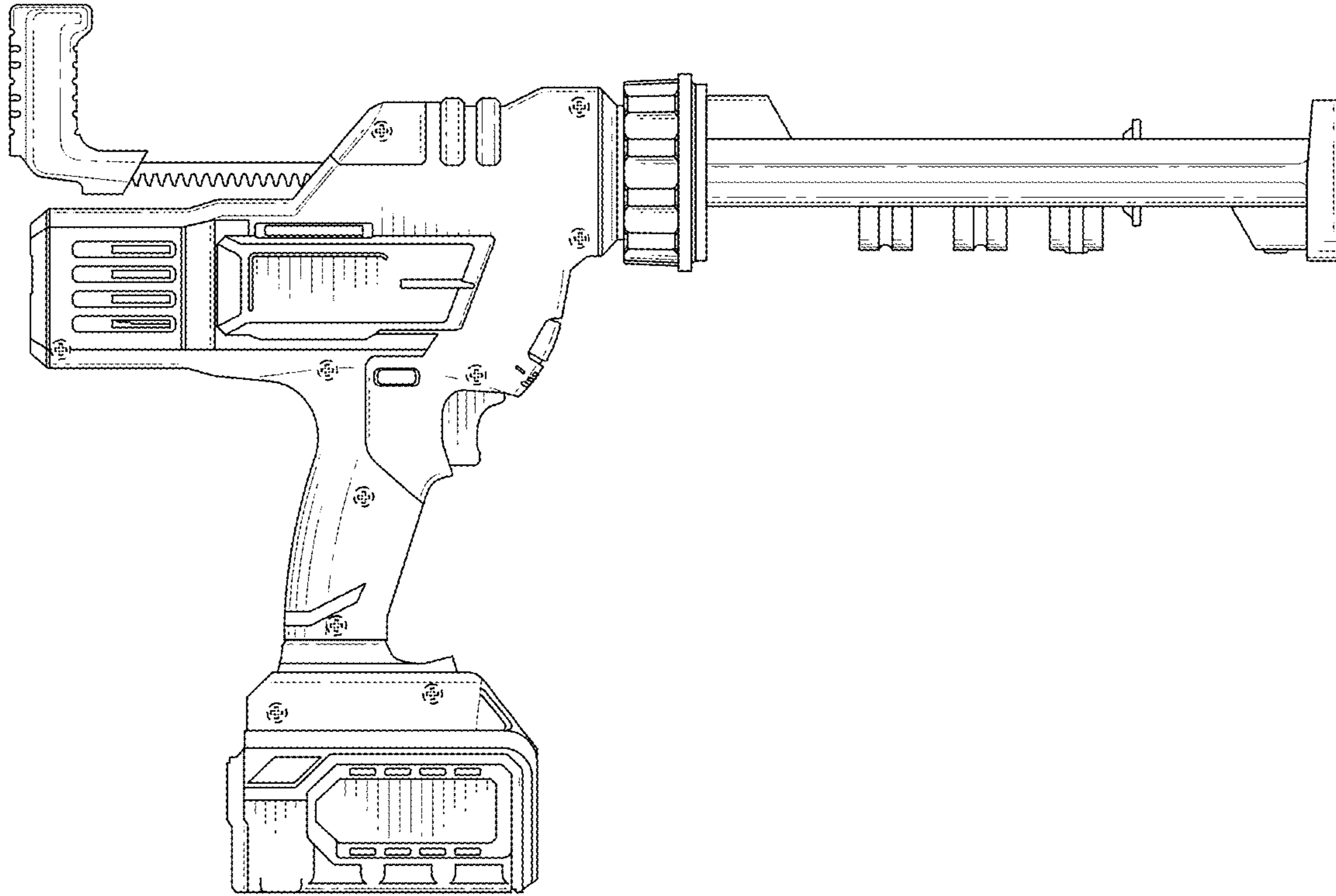


FIG. 5

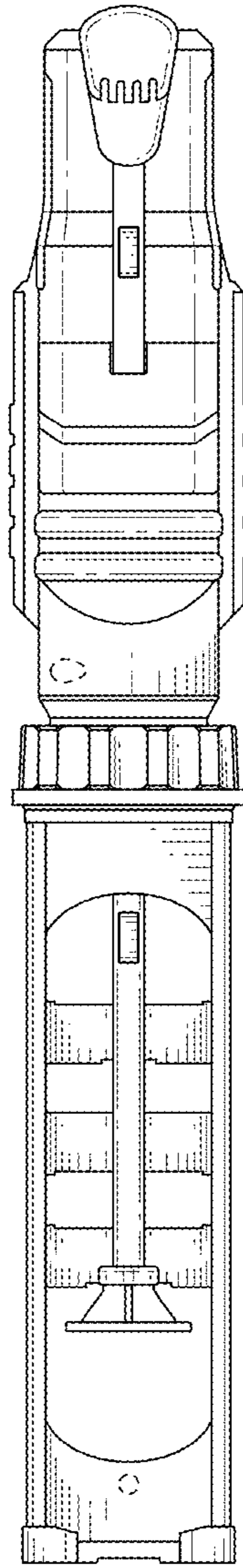


FIG. 6

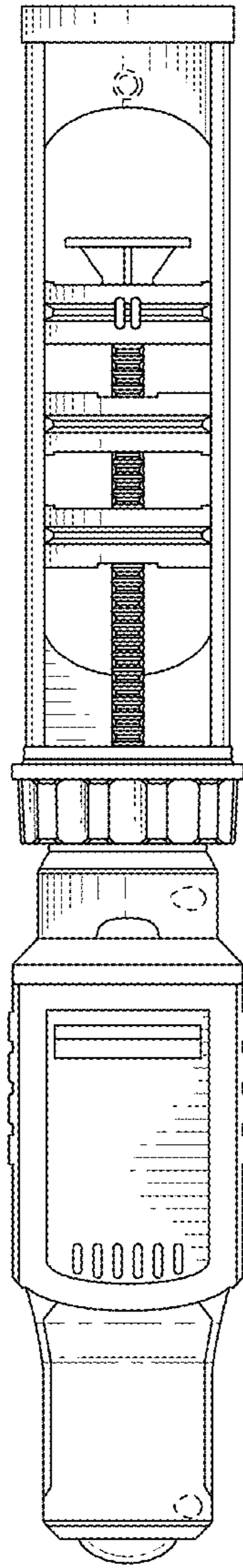


FIG. 7