



US00D956493S

(12) **United States Design Patent**  
**Ko**

(10) **Patent No.:** **US D956,493 S**

(45) **Date of Patent:** **\*\* Jul. 5, 2022**

- (54) **LAWN AERATOR SHOE**
- (71) Applicant: **JIA HAO PLASTICS FACTORY CO., LTD.**, Puyan Township, Changhua County (TW)
- (72) Inventor: **Meng-Lin Ko**, Puyan Township, Changhua County (TW)
- (73) Assignee: **JIA HAO PLASTICS FACTORY CO., LTD.**, Puyan Township, Changhua County (TW)

- 2,910,127 A \* 10/1959 Saunders ..... A01B 1/243  
172/370
- 3,354,561 A \* 11/1967 Cameron ..... A43B 3/0042  
482/146
- 3,838,528 A \* 10/1974 Johnson ..... A43C 15/063  
36/7.7
- 4,035,935 A \* 7/1977 Forrest ..... A43B 13/00  
36/136
- 4,525,939 A \* 7/1985 McNeil ..... A43C 15/06  
36/114

(Continued)

(\*\*) Term: **15 Years**

(21) Appl. No.: **29/737,099**

(22) Filed: **Jun. 5, 2020**

(51) **LOC (13) Cl.** ..... **08-01**

(52) **U.S. Cl.**  
USPC ..... **D8/1; D2/906**

(58) **Field of Classification Search**  
USPC ..... D8/1; 36/7.6, 7.7, 59, 113; 172/21, 370;  
D2/906, 909, 916, 962  
CPC ..... A01B 1/243; A01B 45/02; A43C 15/161;  
A43C 15/063; A43B 3/16; A43B 23/20  
See application file for complete search history.

(56) **References Cited**

**U.S. PATENT DOCUMENTS**

- 400,867 A \* 4/1889 Meyers ..... A43C 15/161  
36/59 R
- 577,475 A \* 2/1897 Zandalazini ..... A43C 15/06  
36/7.6
- 1,208,792 A \* 12/1916 Kenville ..... A43C 15/063  
36/7.7
- 1,391,346 A \* 9/1921 Schwarzer ..... A43C 15/161  
411/397
- D171,717 S \* 3/1954 Langford ..... D2/951
- 2,714,768 A \* 8/1955 Badler ..... A01B 1/00  
36/1
- 2,746,174 A \* 5/1956 Patterson, Jr. .... A43B 5/18  
36/7.7

**OTHER PUBLICATIONS**

“7 Best Lawn Aerator Shoes 2018”; EZVID Wiki; YouTube; Apr. 6, 2018; Accessed Apr. 4, 2022; URL:< <https://www.youtube.com/watch?v=SVkwMaQm2L4> > (Year: 2018).\*

*Primary Examiner* — Rachel A. Voorhies  
*Assistant Examiner* — Benjamin D. Wannemacher  
(74) *Attorney, Agent, or Firm* — Muncy, Geissler, Olds & Lowe, P.C.

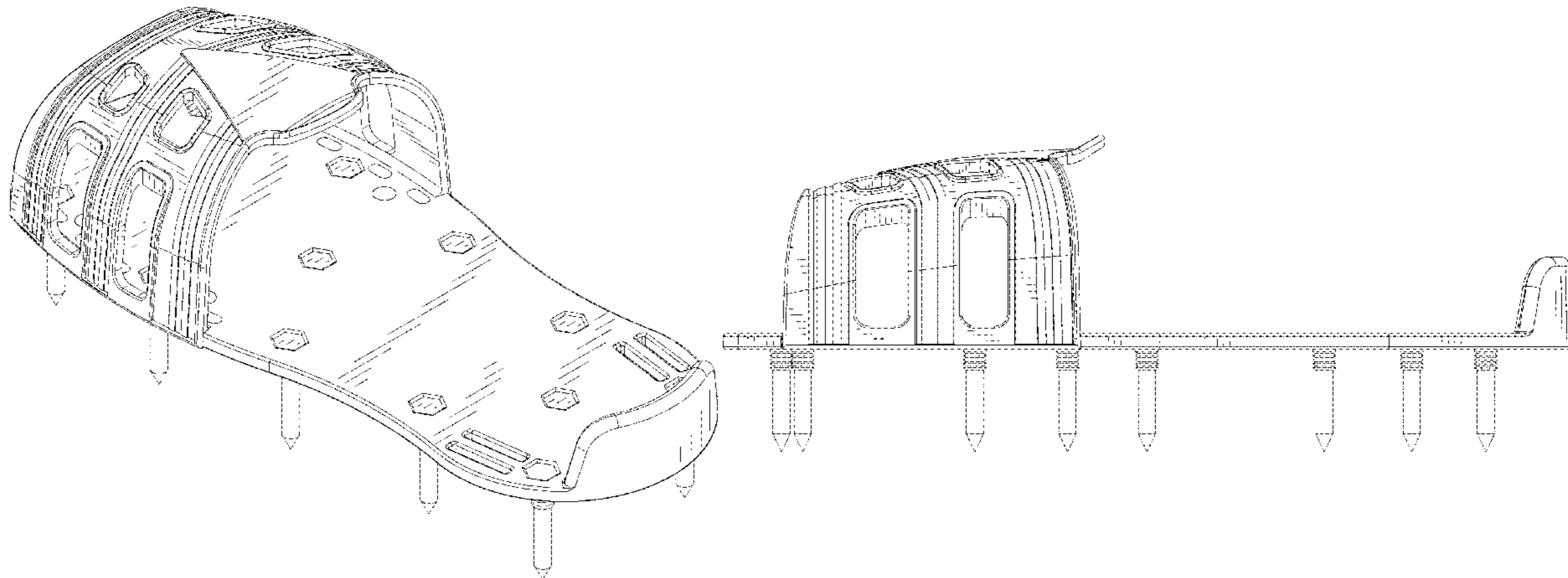
(57) **CLAIM**

The ornamental design for a lawn aerator shoe, as shown and described.

**DESCRIPTION**

FIG. 1 is a perspective view of a lawn aerator shoe showing my new design;  
FIG. 2 is a front elevational view thereof;  
FIG. 3 is a rear elevational view thereof;  
FIG. 4 is a left side view thereof;  
FIG. 5 is a right side view thereof;  
FIG. 6 is a top plan view thereof; and,  
FIG. 7 is a bottom plan view thereof.  
The broken lines are for the purpose of illustrating portions of the lawn aerator shoe and form no part of the claimed design.

**1 Claim, 6 Drawing Sheets**



(56)

**References Cited**

U.S. PATENT DOCUMENTS

4,693,022 A \* 9/1987 Terhune ..... A43B 23/20  
30/297  
4,972,610 A \* 11/1990 Tong ..... A43B 13/14  
36/7.1 R  
5,035,069 A \* 7/1991 Minden ..... A43B 23/087  
36/8.3  
5,056,240 A \* 10/1991 Sherrill ..... A43B 3/16  
36/7.1 R  
5,555,943 A \* 9/1996 Blasczyk ..... A01B 1/165  
172/370  
D381,493 S \* 7/1997 Comeau ..... D2/906  
6,223,456 B1 \* 5/2001 Hawkins ..... A43B 3/00  
36/136  
6,237,249 B1 \* 5/2001 Aguerre ..... A43B 3/122  
36/11.5  
6,481,121 B1 \* 11/2002 Tucker ..... A43B 13/26  
36/7.7  
D628,372 S \* 12/2010 Bell ..... D2/962  
D664,331 S \* 7/2012 Weis ..... D2/906  
2003/0154626 A1 \* 8/2003 Larson ..... A43B 13/223  
36/7.6  
2008/0000102 A1 \* 1/2008 Rastegar ..... A43B 1/0027  
36/62  
2008/0178492 A1 \* 7/2008 Coomer ..... A43B 3/16  
36/7.1 R  
2010/0257750 A1 \* 10/2010 Bell ..... A43C 15/02  
36/7.6  
2013/0048321 A1 \* 2/2013 Xin ..... A01B 1/243  
172/22

\* cited by examiner

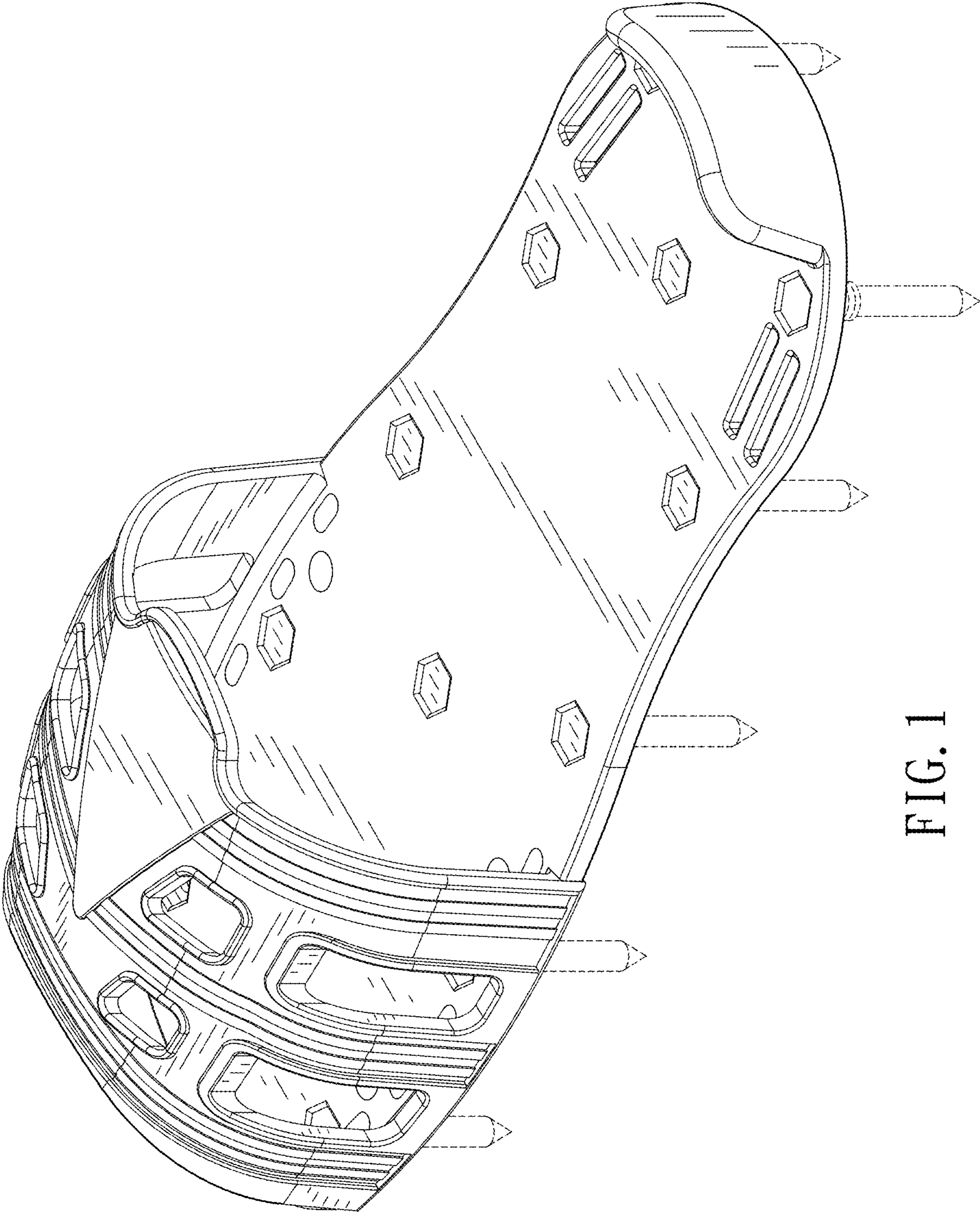


FIG. 1

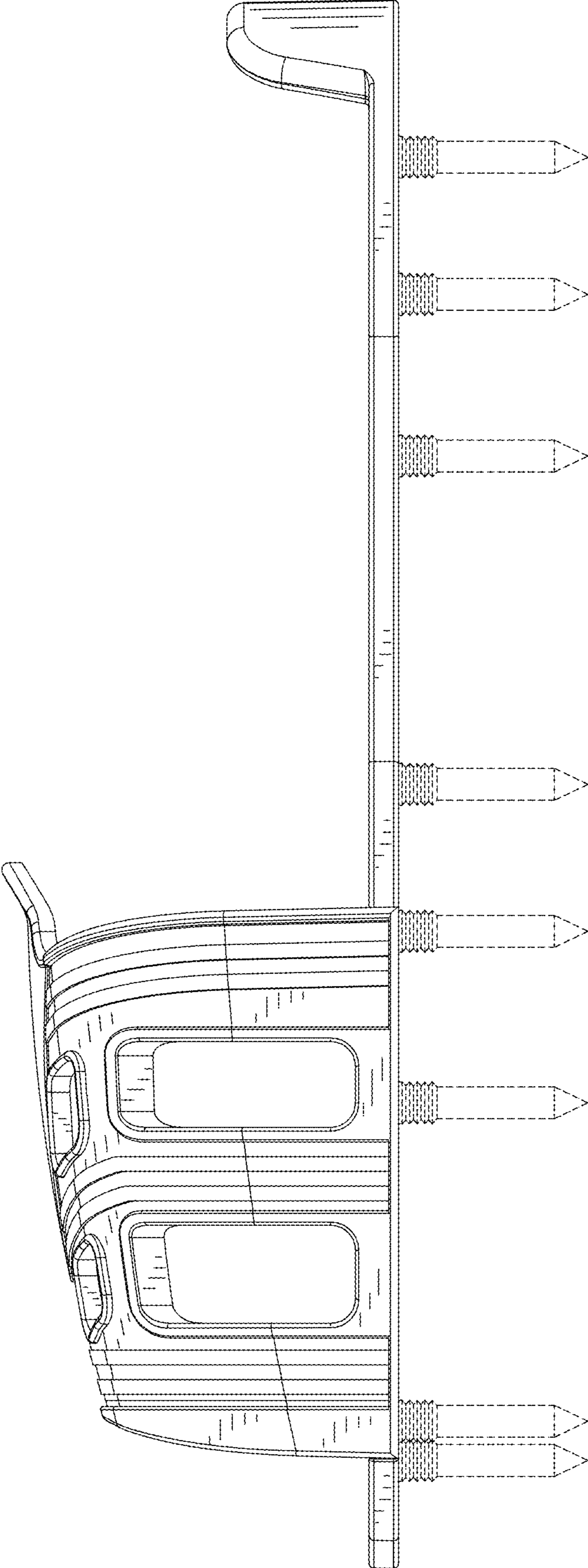


FIG. 2

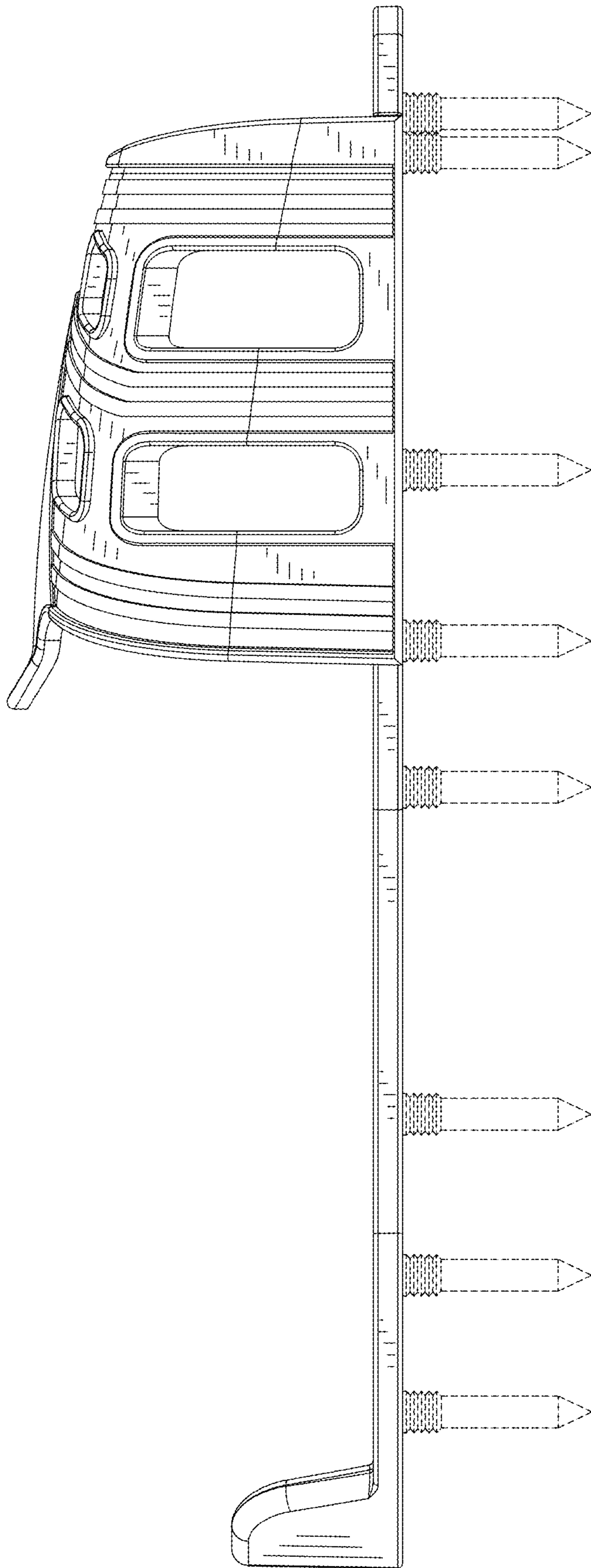


FIG. 3

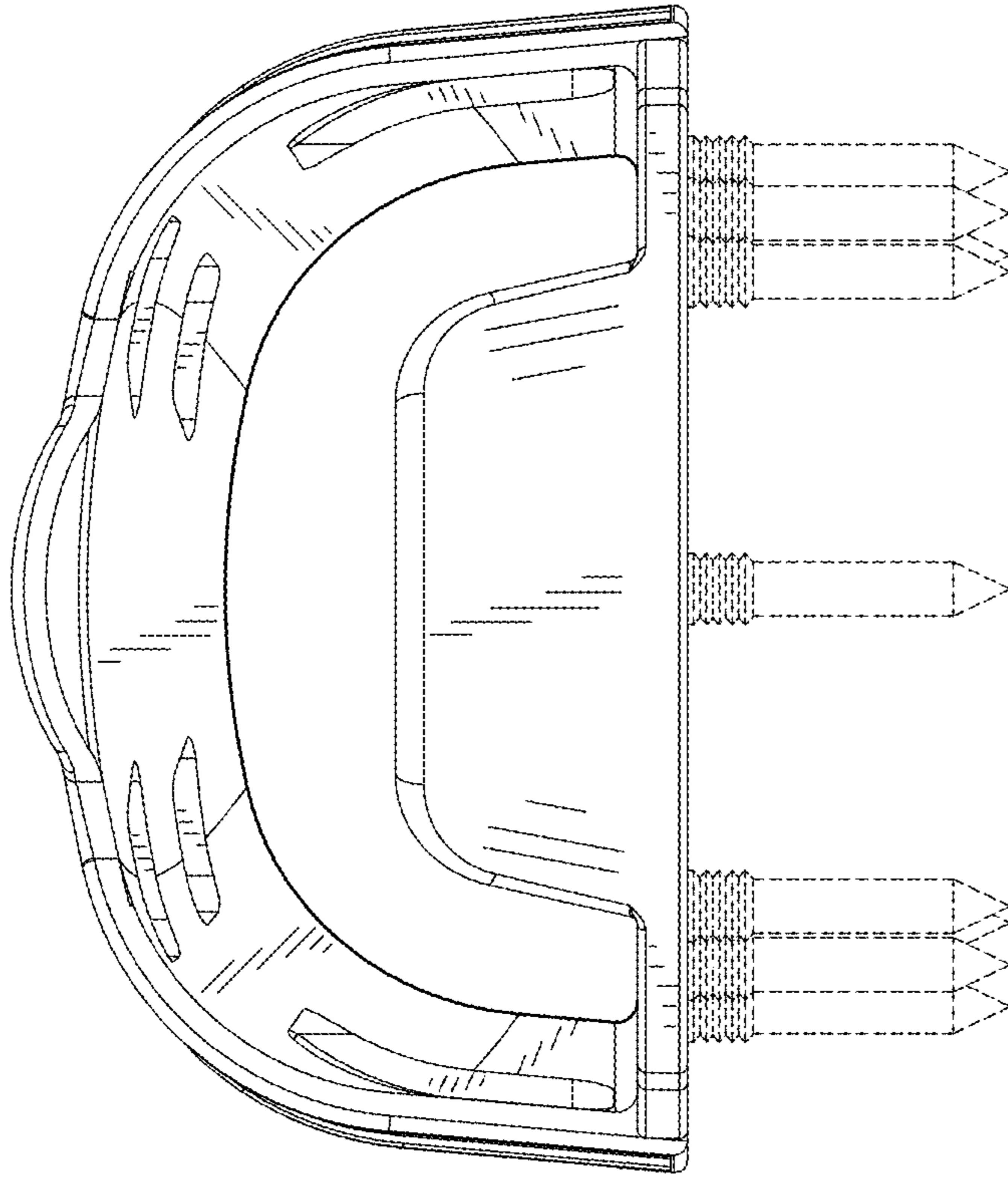


FIG. 4

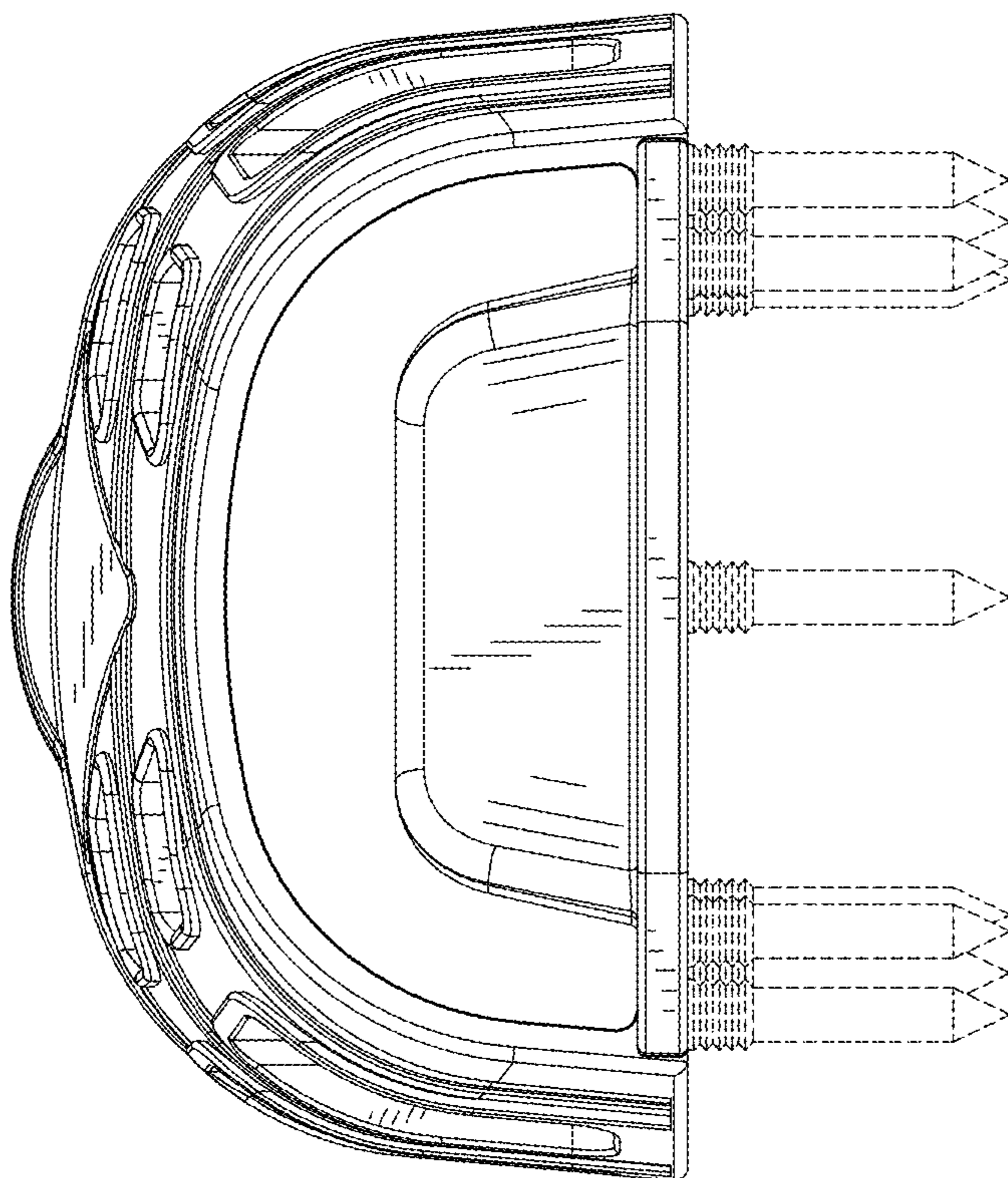


FIG. 5

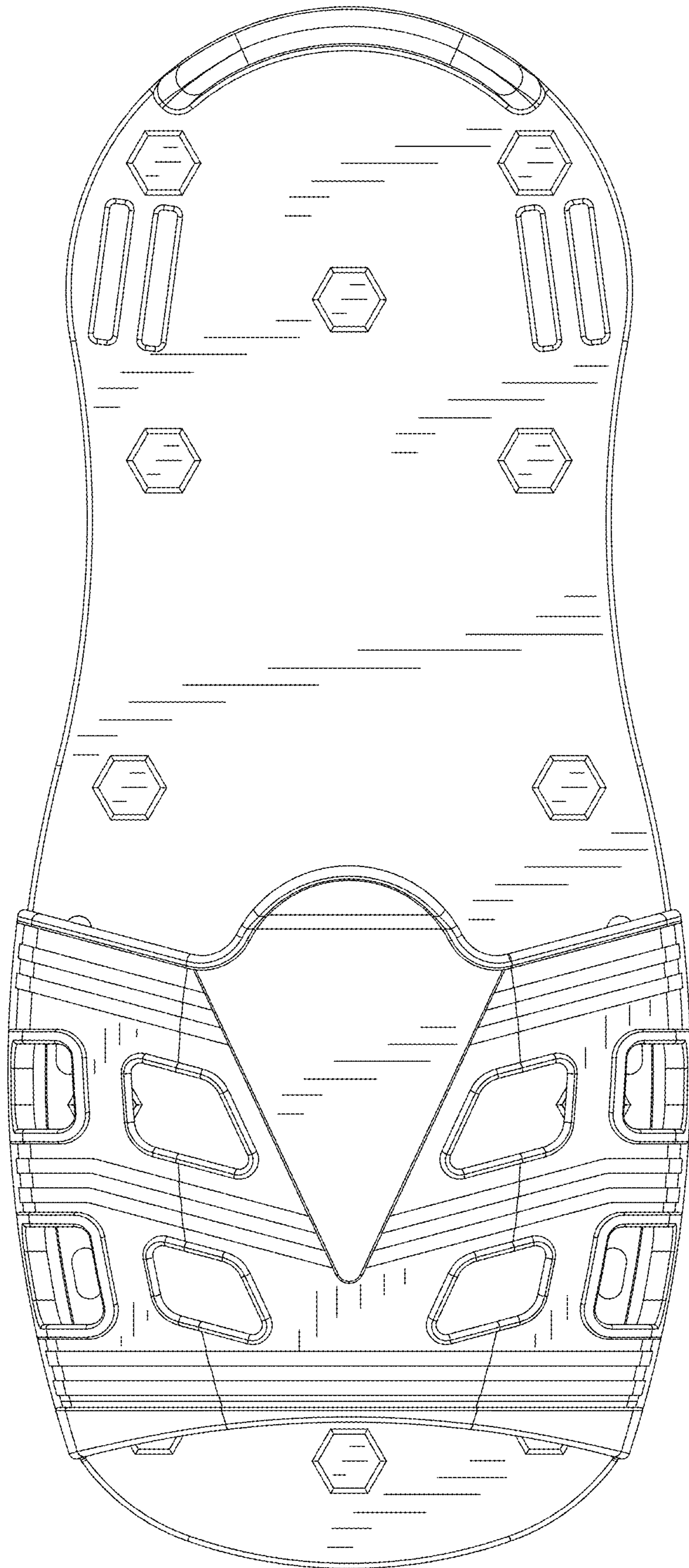


FIG. 6

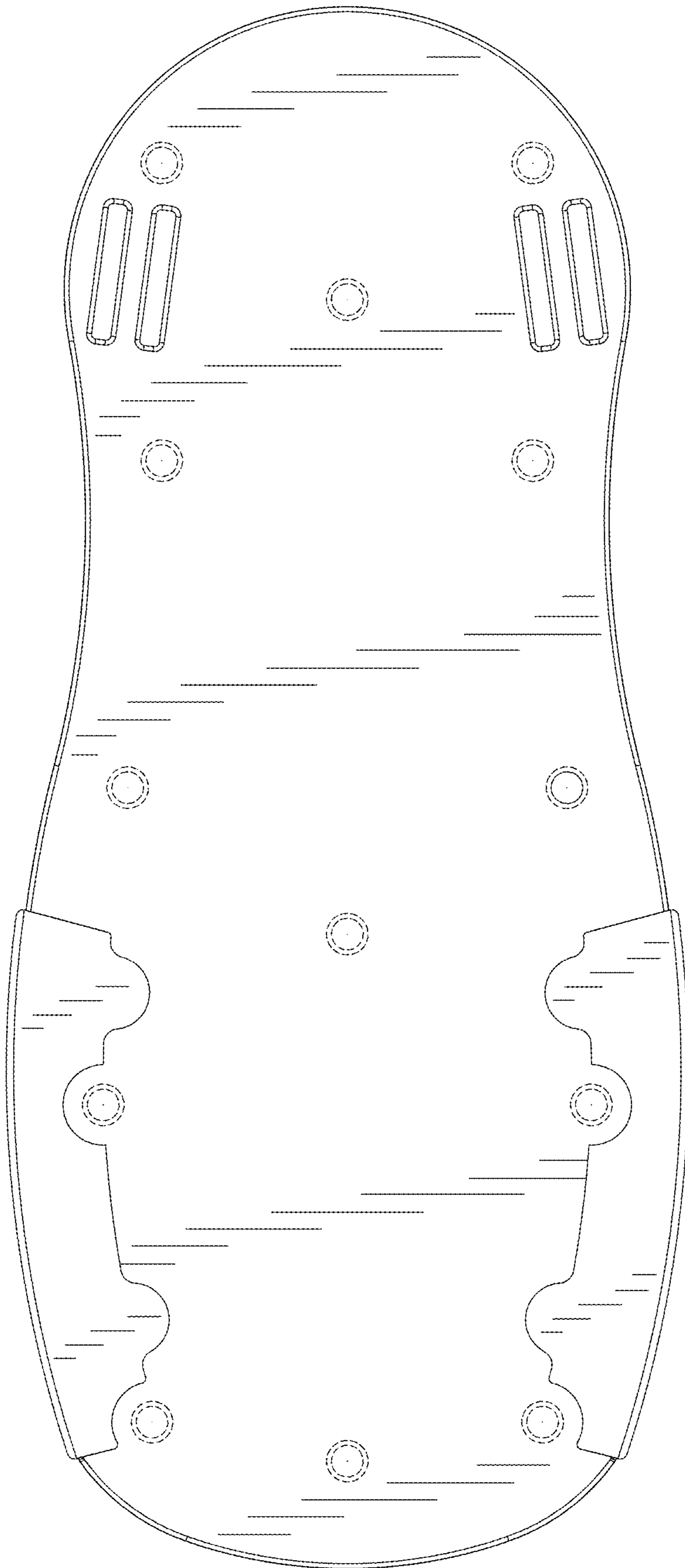


FIG. 7