



US00D956492S

(12) **United States Design Patent**
Borucki

(10) **Patent No.:** **US D956,492 S**

(45) **Date of Patent:** **** Jul. 5, 2022**

(54) **BAR TOOLS DISPLAY AND STORAGE STAND**

(71) Applicant: **Tomasz Borucki**, Hamilton (CA)

(72) Inventor: **Tomasz Borucki**, Hamilton (CA)

(**) Term: **15 Years**

(21) Appl. No.: **29/759,760**

(22) Filed: **Nov. 25, 2020**

(51) **LOC (13) Cl.** **06-04**

(52) **U.S. Cl.**
USPC **D7/705; D7/701**

(58) **Field of Classification Search**
USPC ... D7/600.1, 600.3, 601, 602, 637-641, 701, D7/704, 705, 708; D3/304, 305, 313, D3/314; D6/323, 525, 527, 683, 683.1, D6/706; D19/77, 81, 92; D32/55, 56
CPC A47B 77/14; A47G 21/00; A47G 21/14; A47G 23/06; A47G 23/0641; A47J 45/02; A47J 47/16; A47L 19/00; A47L 19/02; A47L 19/04; B65D 1/34; B65D 1/36
See application file for complete search history.

(56) **References Cited**

U.S. PATENT DOCUMENTS

D127,900 S *	6/1941	Block	D6/699
D505,841 S *	6/2005	Fiedeler	D7/637
D906,068 S *	12/2020	Yang	D7/701
D906,773 S *	1/2021	Chen	D7/701
D907,450 S *	1/2021	Yang	D7/701
D909,156 S *	2/2021	Chen	D7/701
D911,789 S *	3/2021	Wang	D7/701
D916,568 S *	4/2021	Wang	D7/701

D917,246 S *	4/2021	Wang	D7/701
D924,643 S *	7/2021	Li	D7/701
D925,304 S *	7/2021	Lukyanov	D6/682.2
D938,789 S *	12/2021	Tu	D7/701
D938,790 S *	12/2021	Tu	D7/701
D941,647 S *	1/2022	Winter	D7/701
D942,231 S *	2/2022	Borucki	D7/705

OTHER PUBLICATIONS

Mixology Bartender Kit with Stand, first available Nov. 9, 2021, Amazon, [online], [site visited Feb. 22, 2022], Available from internet URL: <https://www.amazon.com/Mixology-Bartender-Kit-Stand-Housewarming/dp/B09882RB3T> (Year: 2021).*

* cited by examiner

Primary Examiner — Mary Ann Calabrese
Assistant Examiner — Natalya M Rapundalo

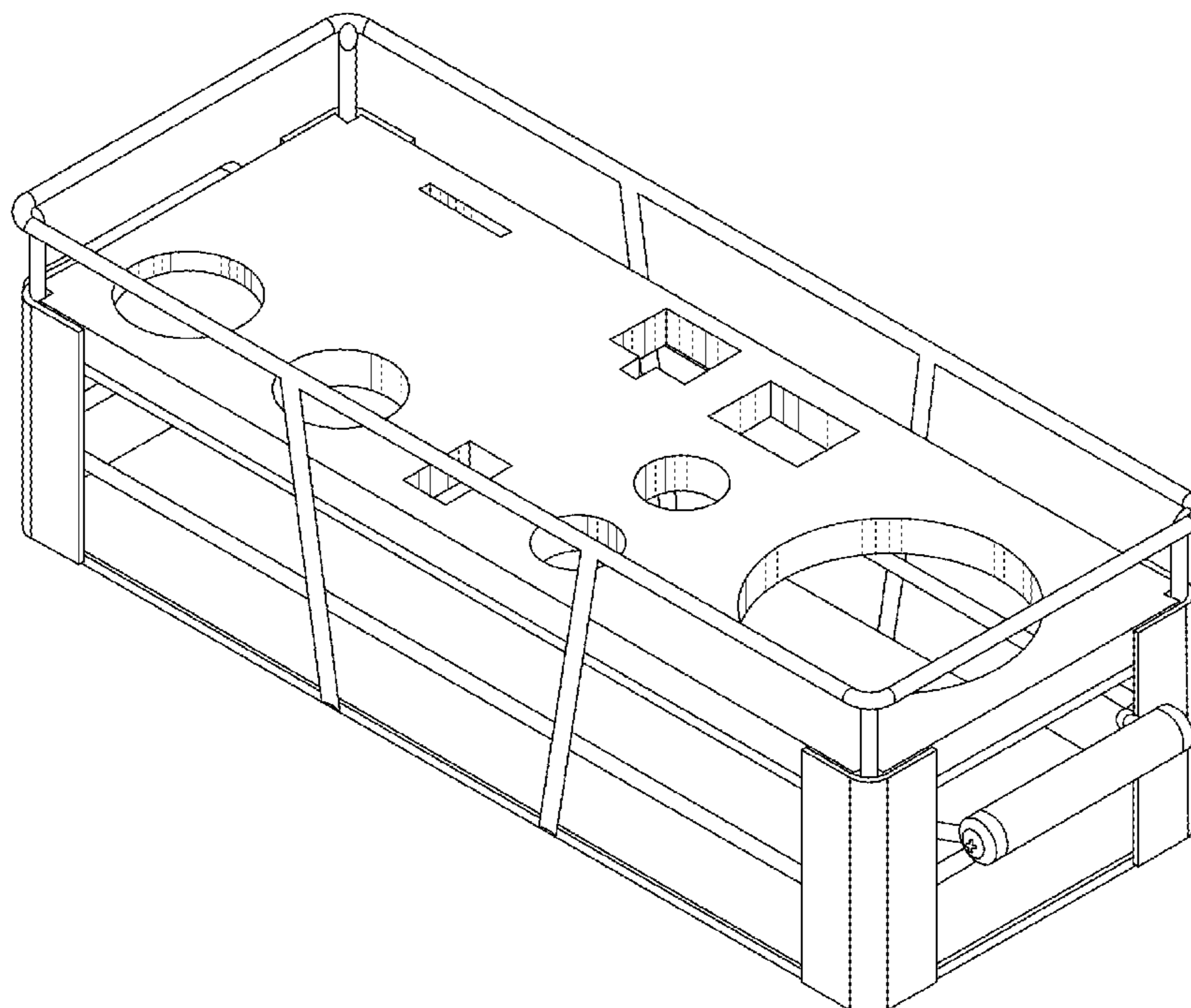
(57) **CLAIM**

The ornamental design for a bar tools display and storage stand, as shown and described.

DESCRIPTION

FIG. 1 is a top-left perspective view of the bar tools display and storage stand; showing my new design;
FIG. 2 is a top view thereof;
FIG. 3 is a bottom view thereof;
FIG. 4 is a front view, the opposite side being a mirror image thereof;
FIG. 5 is a right-side view, the opposite side being a mirror image thereof;
FIG. 6 is a top-right perspective view thereof;
FIG. 7 is a bottom-left perspective view thereof; and,
FIG. 8 is a bottom-right perspective view thereof.

1 Claim, 8 Drawing Sheets



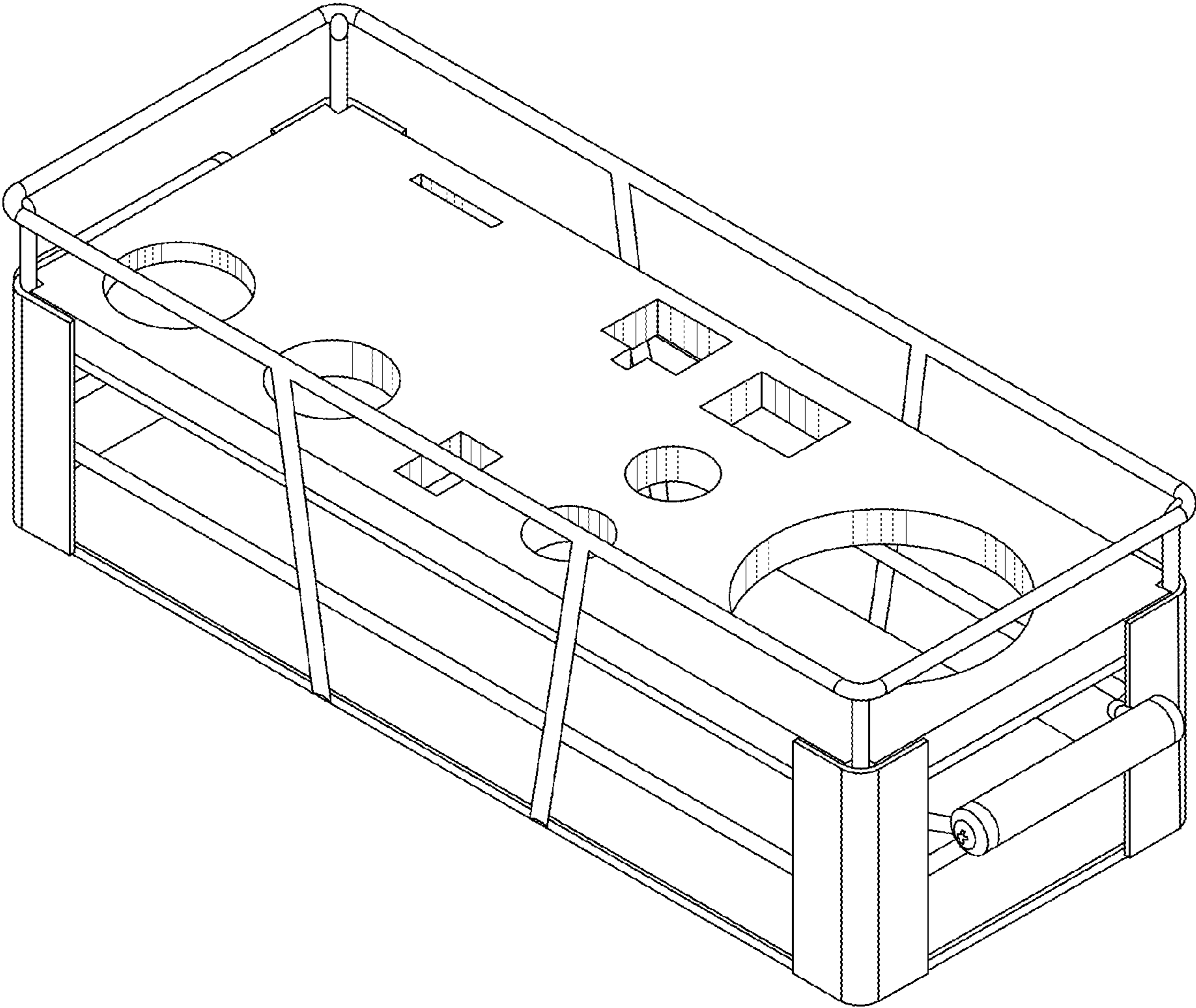


FIG. 1

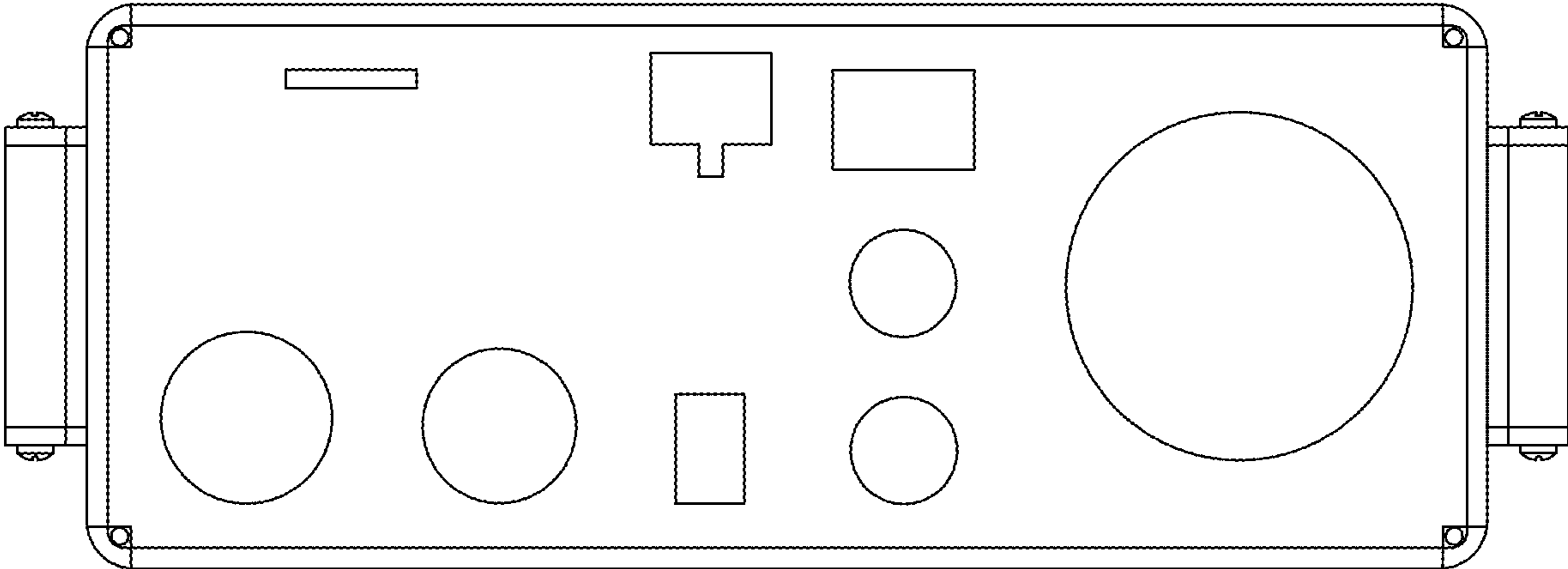


FIG. 2

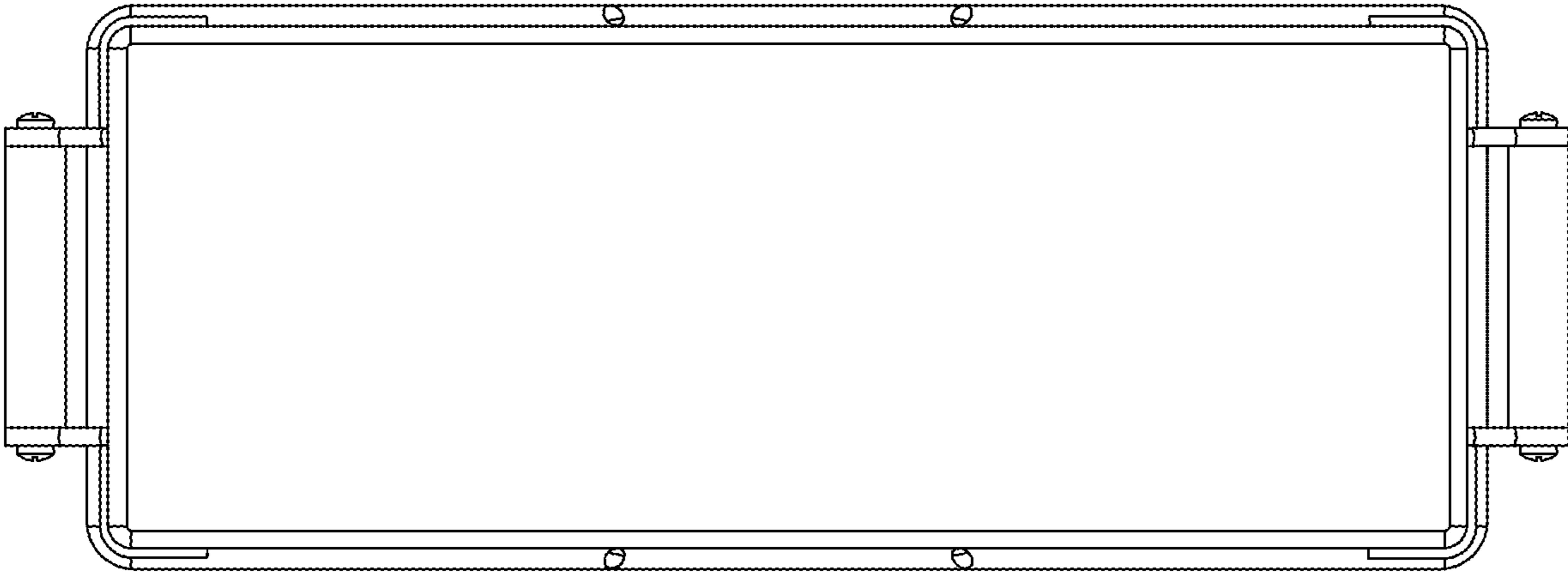


FIG. 3

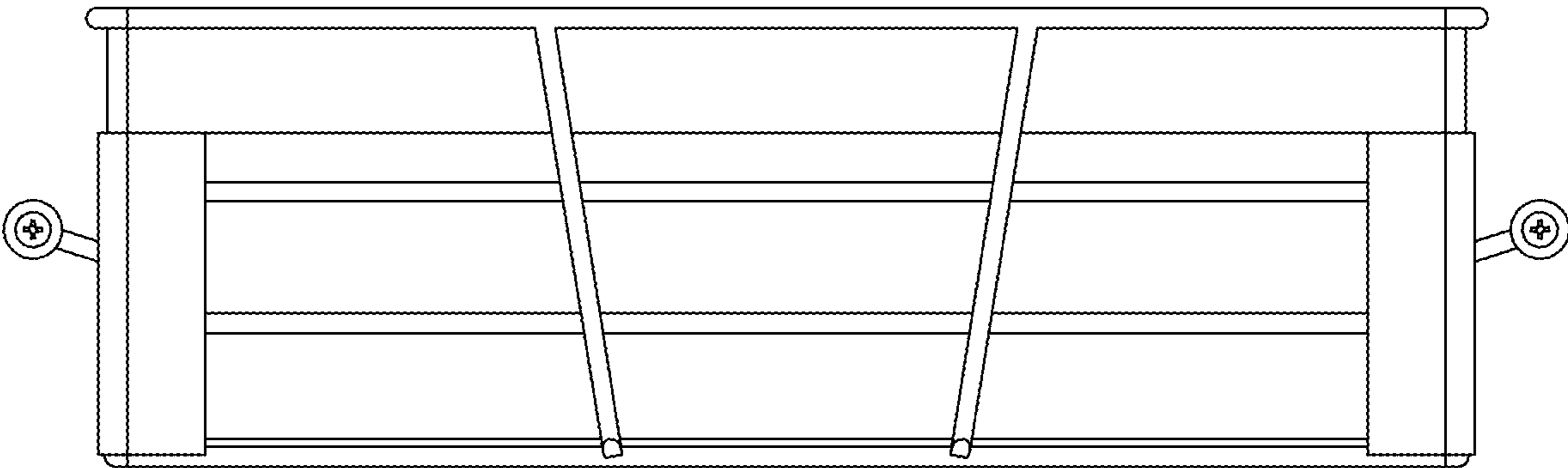


FIG. 4

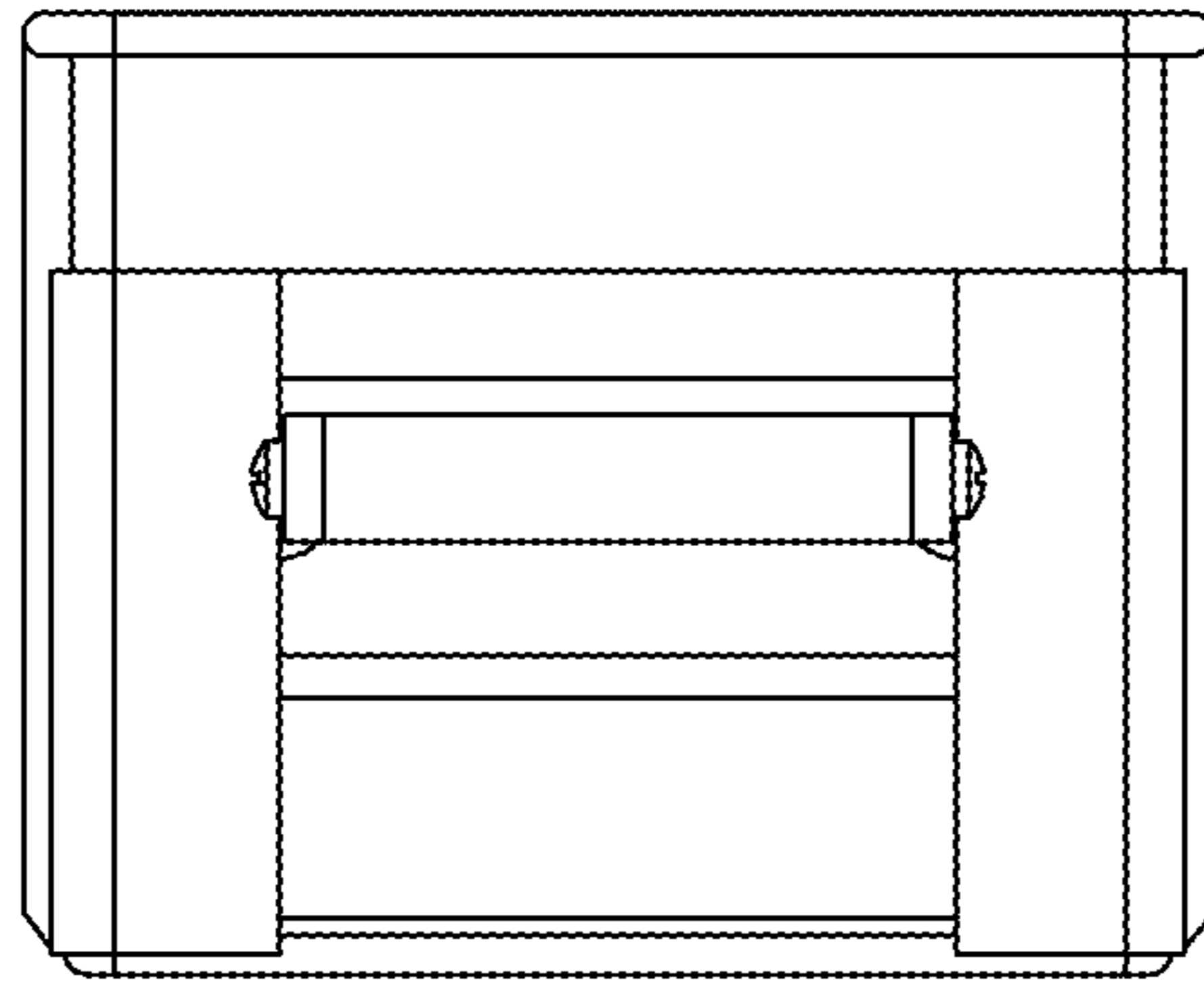


FIG. 5

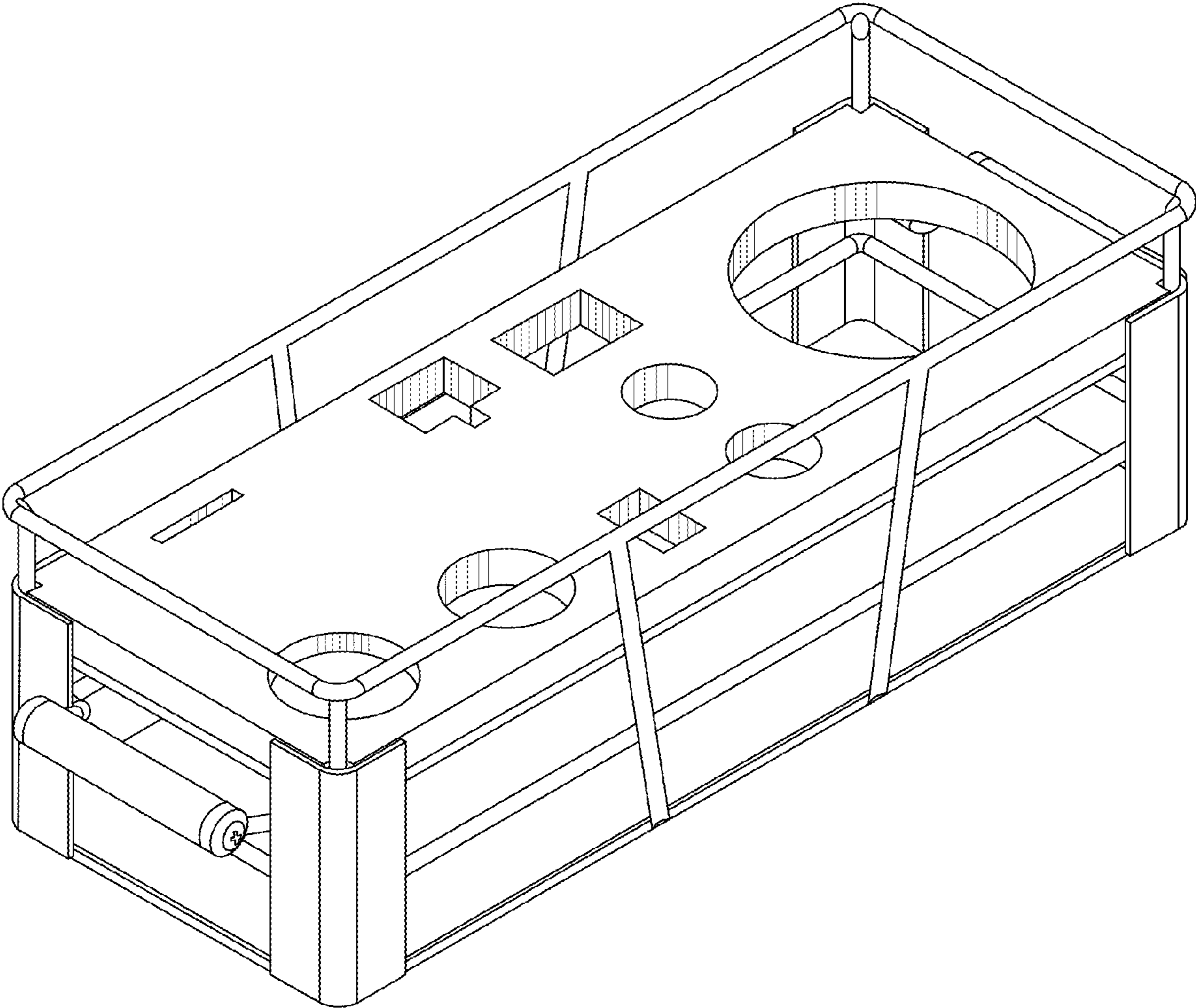


FIG. 6

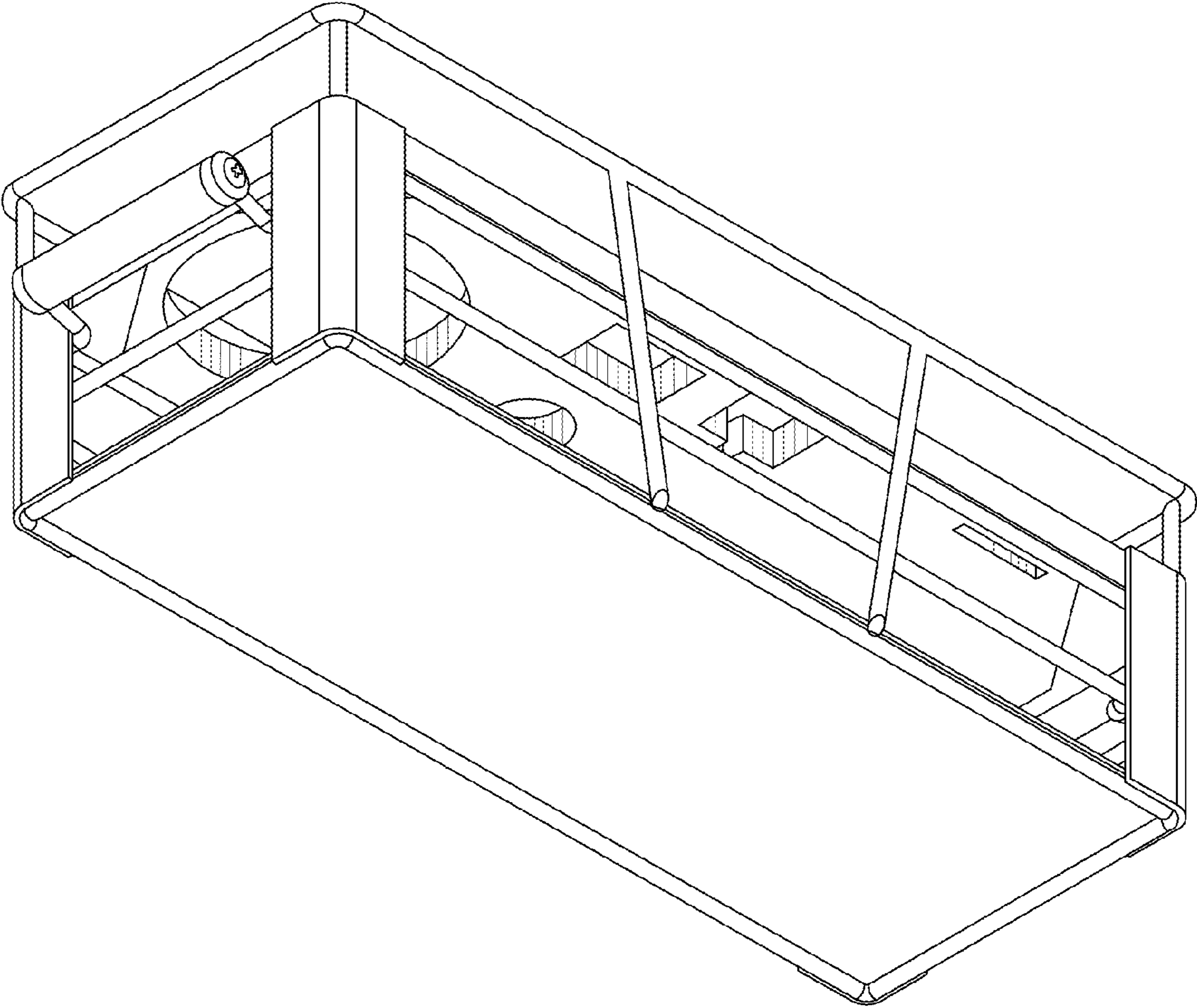


FIG. 7

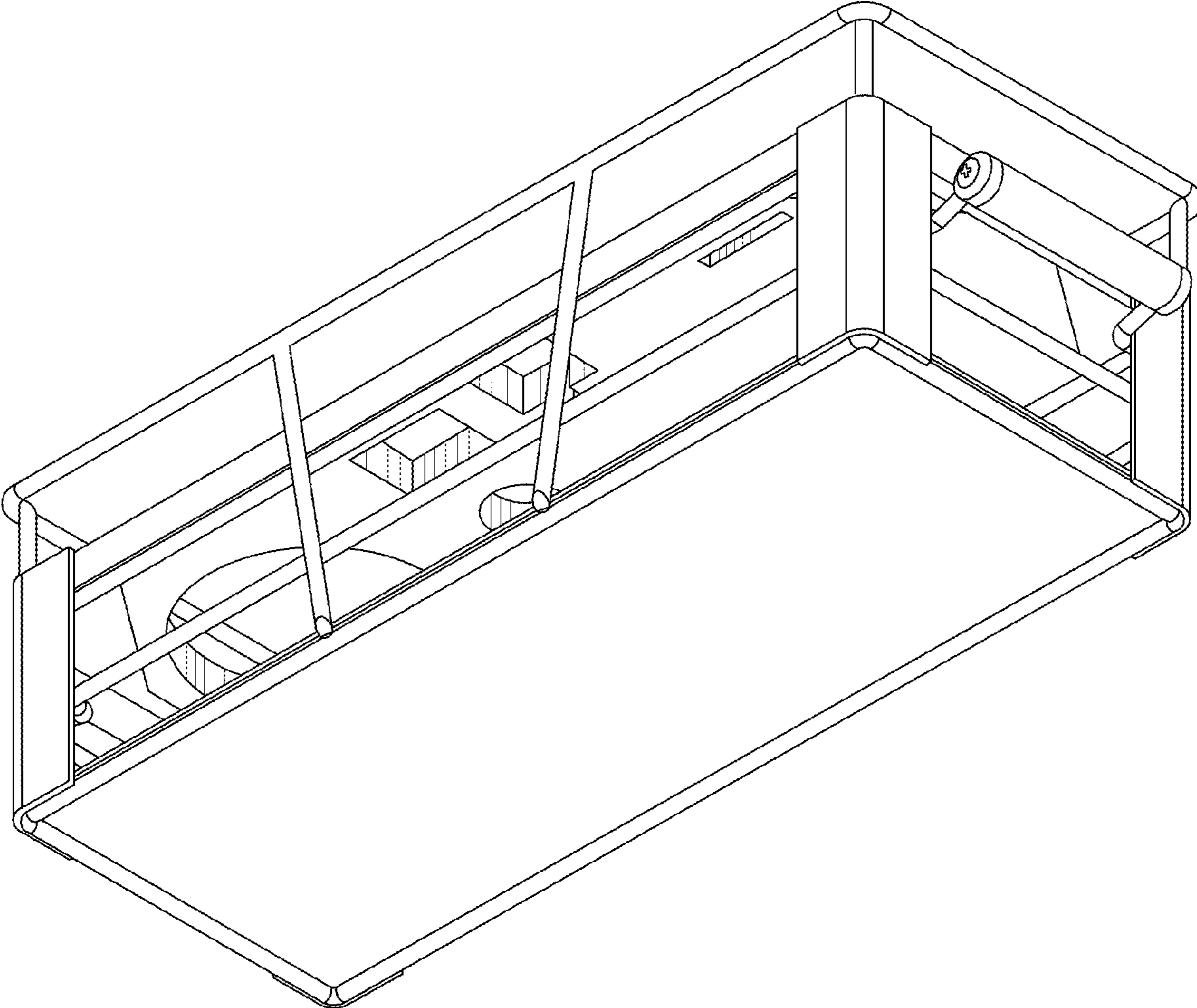


FIG.8