



US00D956489S

(12) **United States Design Patent**
Artham

(10) **Patent No.:** **US D956,489 S**
(45) **Date of Patent:** **** Jul. 5, 2022**

(54) **MOLD FOR FORMING VEGAN BACON**

D879,163 S * 3/2020 Burns D15/90
D942,514 S * 2/2022 Kim D15/90
2012/0201927 A1* 8/2012 Meikle A47J 43/20
426/62

(71) Applicant: **Hooray Foods, Inc.**, San Francisco, CA
(US)

(72) Inventor: **Srinivas Artham**, San Francisco, CA
(US)

(73) Assignee: **Hooray Foods, Inc.**, San Francisco, CA
(US)

(**) Term: **15 Years**

(21) Appl. No.: **29/768,099**

(22) Filed: **Jan. 27, 2021**

(51) **LOC (13) Cl.** **07-04**

(52) **U.S. Cl.**
USPC **D7/675**

(58) **Field of Classification Search**
USPC D7/672-677, 357, 359, 409; D15/90
CPC A47J 43/20; A23P 30/10; A23G 9/221;
A23G 9/083
See application file for complete search history.

(56) **References Cited**

U.S. PATENT DOCUMENTS

3,717,083 A * 2/1973 Karapetian A47J 36/022
126/39 M
D507,147 S * 7/2005 Land D7/357
D507,451 S * 7/2005 Land D7/357
D509,100 S * 9/2005 Doran D7/359
D702,076 S * 4/2014 Endres D7/354
D715,107 S * 10/2014 Moreno D7/675
D763,651 S * 8/2016 Shropshire D7/675
D770,245 S * 11/2016 Repac D7/672
D803,638 S * 11/2017 Murray, Jr. D7/672
D855,399 S * 8/2019 Berge D7/409

OTHER PUBLICATIONS

CraftsAndGlitterShop, Bacon Strip Plastic Mold, Aug. 22, 2020, Etsy, <https://www.etsy.com/au/listing/730851933/bacon-strips-plastic-mold-resin-molds> (Year: 2020).*

Bacon Strip Tarts Faux Food Silicone Mold, Nov. 29, 2018, Van Yulay, <https://www.vanyulay.com/product/silicone-molds/all-silicone-molds-by-monica/bacon-strip-tarts-faux-food-tart-2-cavity-silicone-mold-5391> (Year: 2018).*

Miniature Bacon Silicone Mold, Apr. 19, 2016 (archive.org), Simply Molds, <https://simplymolds.com/product/silicone-mold-bacon-mould-2-1mm-dollhouse-miniature-sweets-fake-food-jewelry/> (Year: 2016).*

* cited by examiner

Primary Examiner — Brett Miller

(74) *Attorney, Agent, or Firm* — Kilpatrick Townsend & Stockton LLP

(57) **CLAIM**

The ornamental design for a mold for forming vegan bacon, as shown and described.

DESCRIPTION

FIG. 1 is a top perspective view of a mold for forming vegan bacon showing my new design;

FIG. 2 is a front view thereof;

FIG. 3 is a rear view thereof;

FIG. 4 is a left side view thereof;

FIG. 5 a right side view thereof;

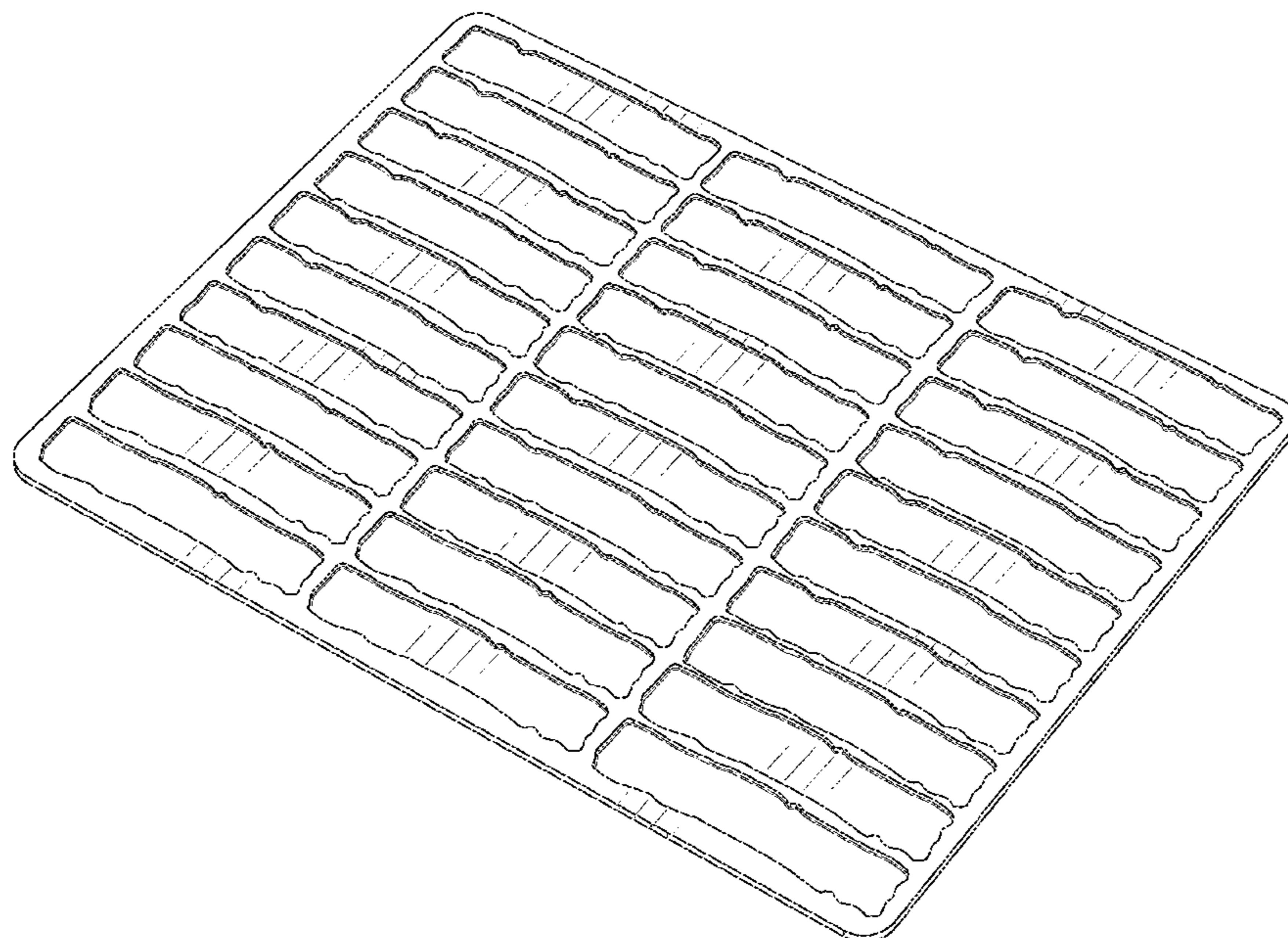
FIG. 6 is a top view thereof;

FIG. 7 is a bottom view thereof;

FIG. 8 corresponds with section 8-8 of FIG. 6; and,

FIG. 9 corresponds with section 9-9 of FIG. 6.

1 Claim, 9 Drawing Sheets



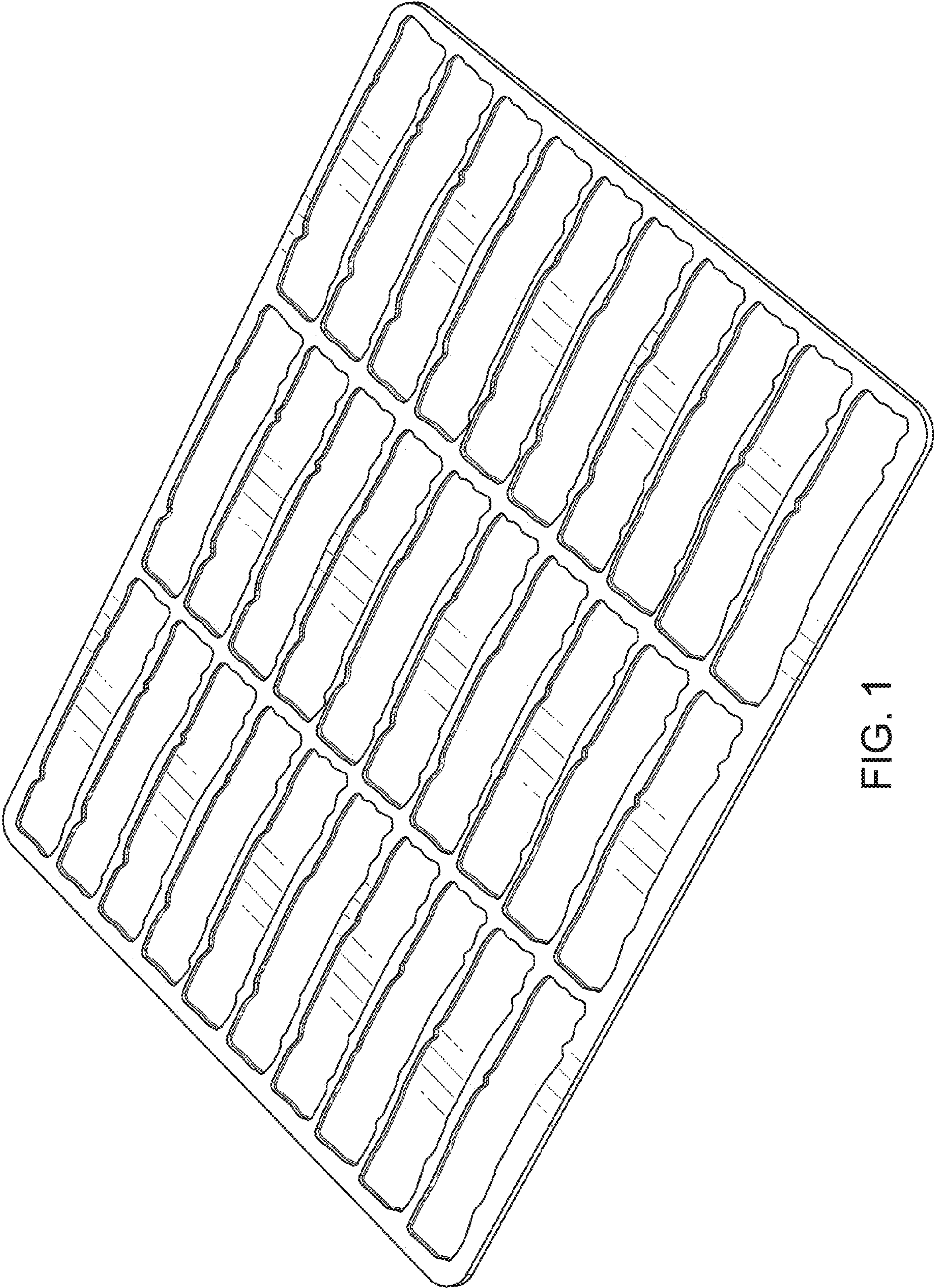


FIG. 1

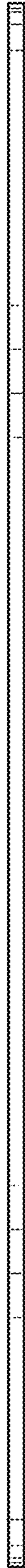


FIG. 2

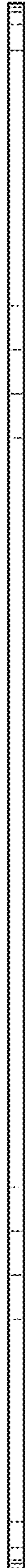


FIG. 3



FIG. 4



FIG. 5

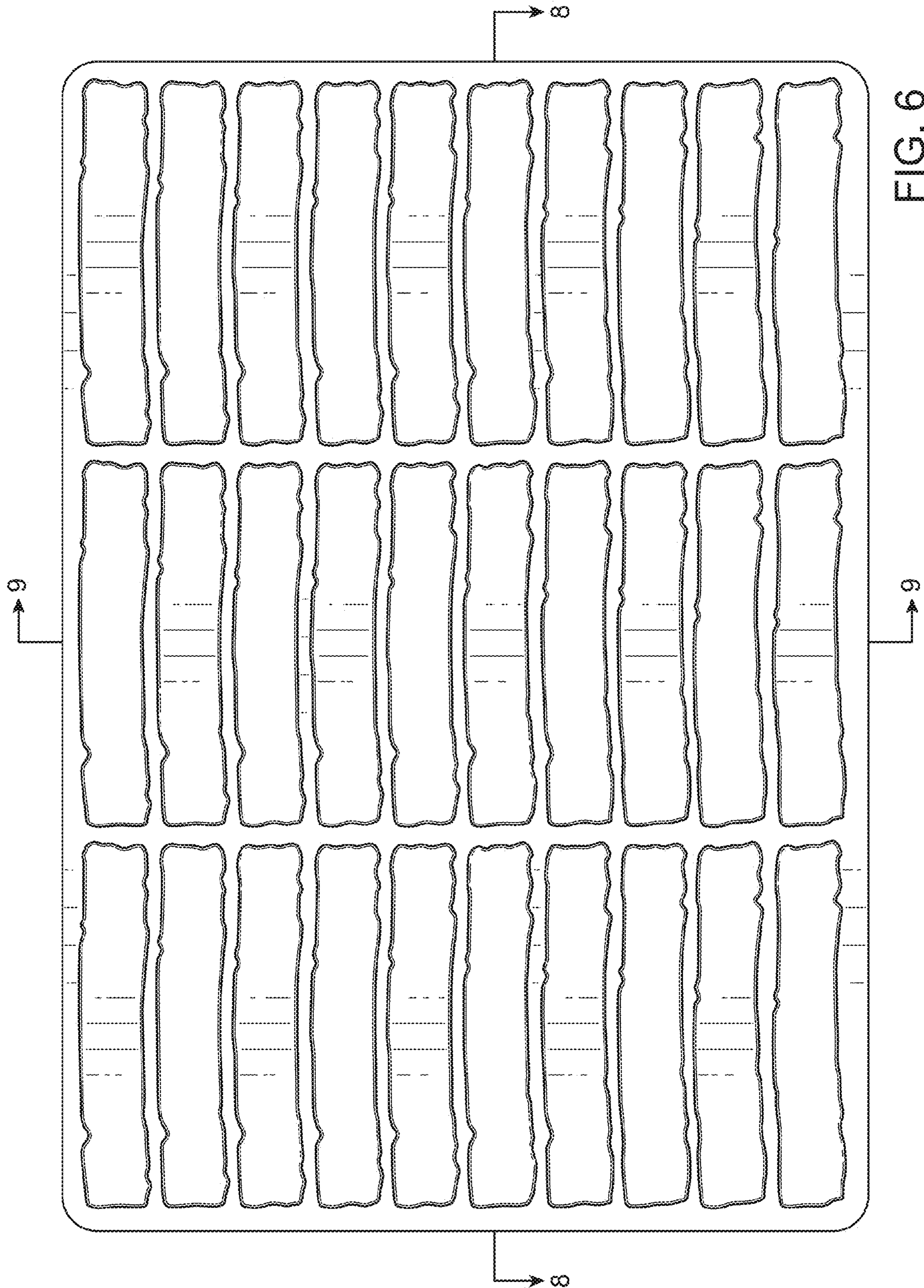


FIG. 6

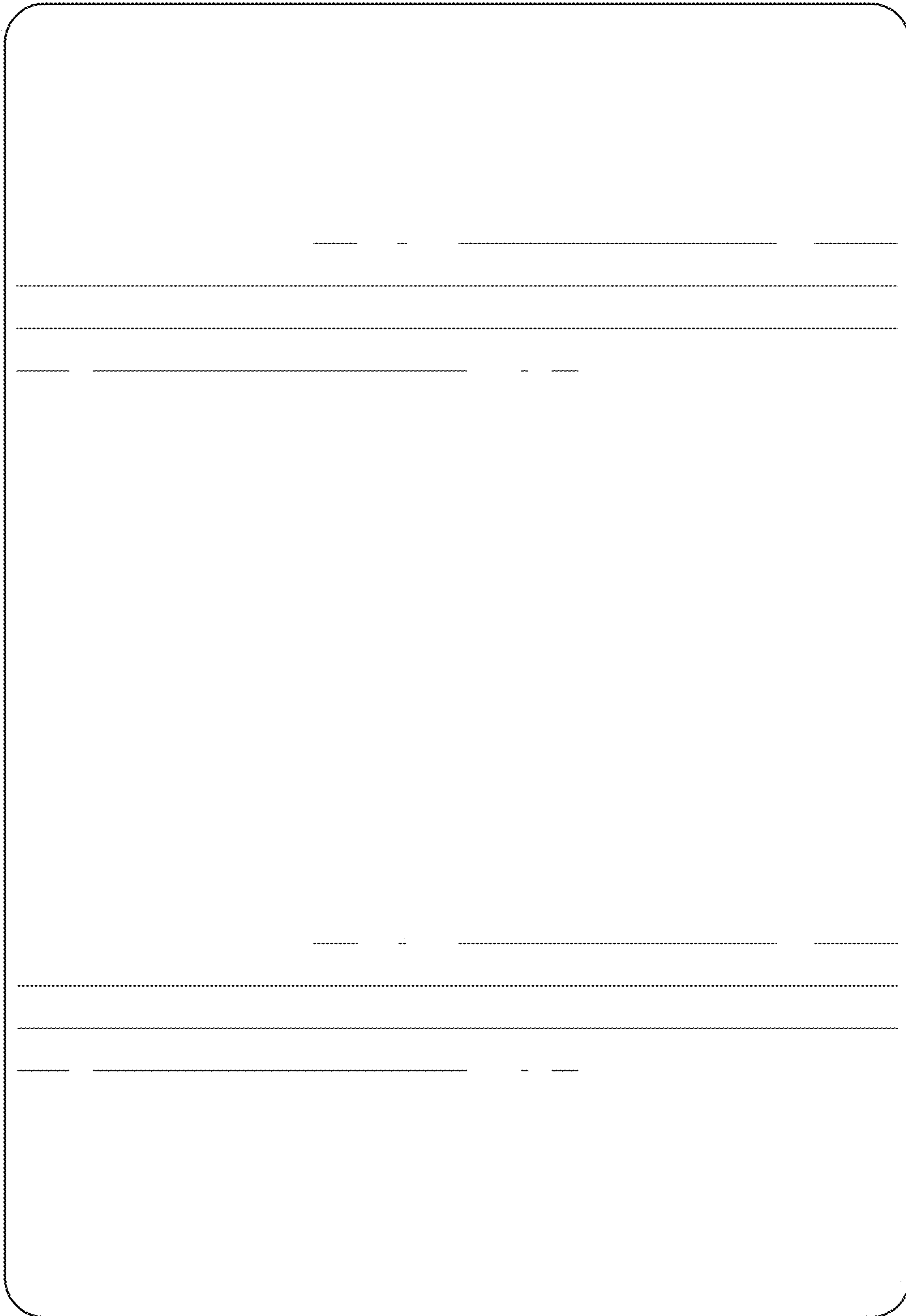


FIG. 7

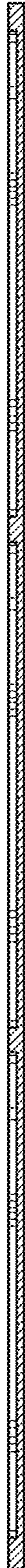


FIG. 8



FIG. 9