



US00D956488S

(12) **United States Design Patent** (10) **Patent No.:** **US D956,488 S**
Chen (45) **Date of Patent:** **** Jul. 5, 2022**

(54) **CORE FOR FOOD PRODUCTS MOLD**
(71) Applicant: **HSIAO YEH INT'L CO., LTD.,**
Taichung (TW)
(72) Inventor: **Pei-Hung Chen,** Taichung (TW)
(73) Assignee: **HSIAO YEH INT'L CO., LTD.,**
Taichung (TW)
(**) Term: **15 Years**
(21) Appl. No.: **29/731,441**
(22) Filed: **Apr. 15, 2020**
(51) **LOC (13) Cl.** **07-04**
(52) **U.S. Cl.**
USPC **D7/672**
(58) **Field of Classification Search**
USPC D7/213, 323, 359, 504, 555, 584-587,
D7/602, 601, 629, 637, 639, 641, 672,
D7/669; D8/323, 327, 329, 394
CPC A47G 19/30; A47G 21/001; A47G
2019/306; A47J 37/00; A47J 37/1295;
A47J 43/00; A47J 43/04; A47J 43/20;
A47J 43/28; A47J 45/00; A21D 13/1295
See application file for complete search history.

(56) **References Cited**
U.S. PATENT DOCUMENTS
3,060,494 A * 10/1962 Noble A47J 43/20
D7/672
3,671,008 A * 6/1972 Villalba, Jr. A22C 7/0046
425/374
3,680,828 A * 8/1972 Swett A47J 43/20
D7/672
D278,309 S * 4/1985 Vickers D8/327
D635,433 S * 4/2011 Le D8/327
D663,611 S * 7/2012 Nunez Farfan D8/380

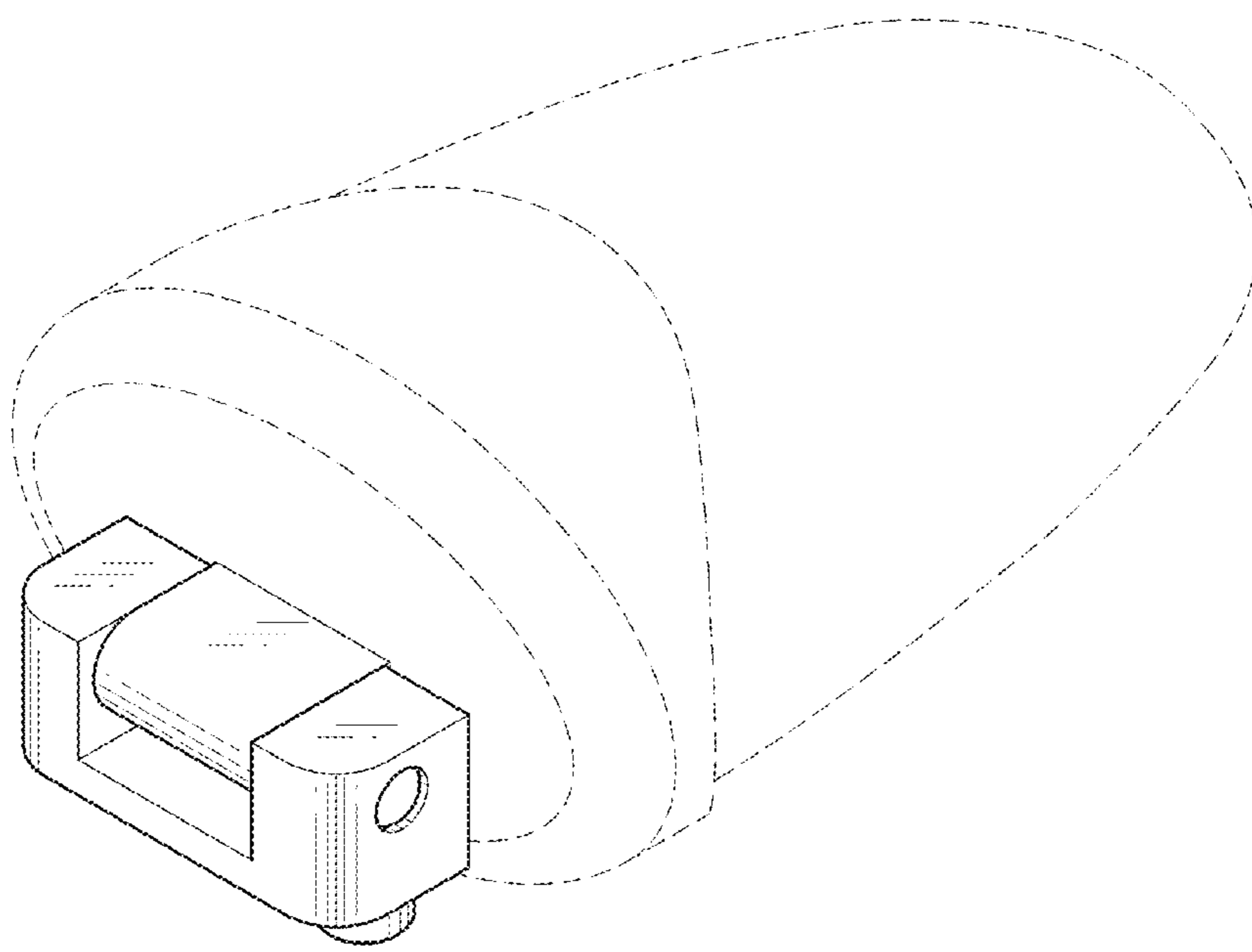
D741,142 S * 10/2015 Todd, Jr. D8/327
D747,949 S * 1/2016 Lindo D8/323
D748,450 S * 2/2016 Ganter D8/323
D777,010 S * 1/2017 Sarnowski D8/331
D796,273 S * 9/2017 Knauf D7/672
D842,679 S * 3/2019 Todd, Jr. D8/323
D857,477 S * 8/2019 Perego D8/323
D859,127 S * 9/2019 Todd, Jr. D8/323
D870,540 S * 12/2019 Aoki A47J 43/20
D8/377
D924,037 S * 7/2021 Suh A22C 7/0046
D8/323
D932,278 S * 10/2021 Scarlett A47J 43/20
D8/323
D938,237 S * 12/2021 Chen D7/672
D939,921 S * 1/2022 Kumar D8/323

* cited by examiner
Primary Examiner — Joseph Kukella
Assistant Examiner — Darryl J Dardenne
(74) *Attorney, Agent, or Firm* — Karin L. Williams; Alan
D. Kamrath; Mayer & Williams PC

(57) **CLAIM**
The ornamental design for a core for food products mold, as
shown and described.

DESCRIPTION
FIG. 1 is a perspective view of a core for food products mold
showing my new design;
FIG. 2 is a front view thereof;
FIG. 3 is a rear view thereof;
FIG. 4 is a left view thereof, with no ornamentation claimed
for the right side view;
FIG. 5 is a top view thereof; and,
FIG. 6 is a bottom view thereof.
In the drawings, the broken lines depict portions of the
article that form no part of the claimed design.

1 Claim, 4 Drawing Sheets



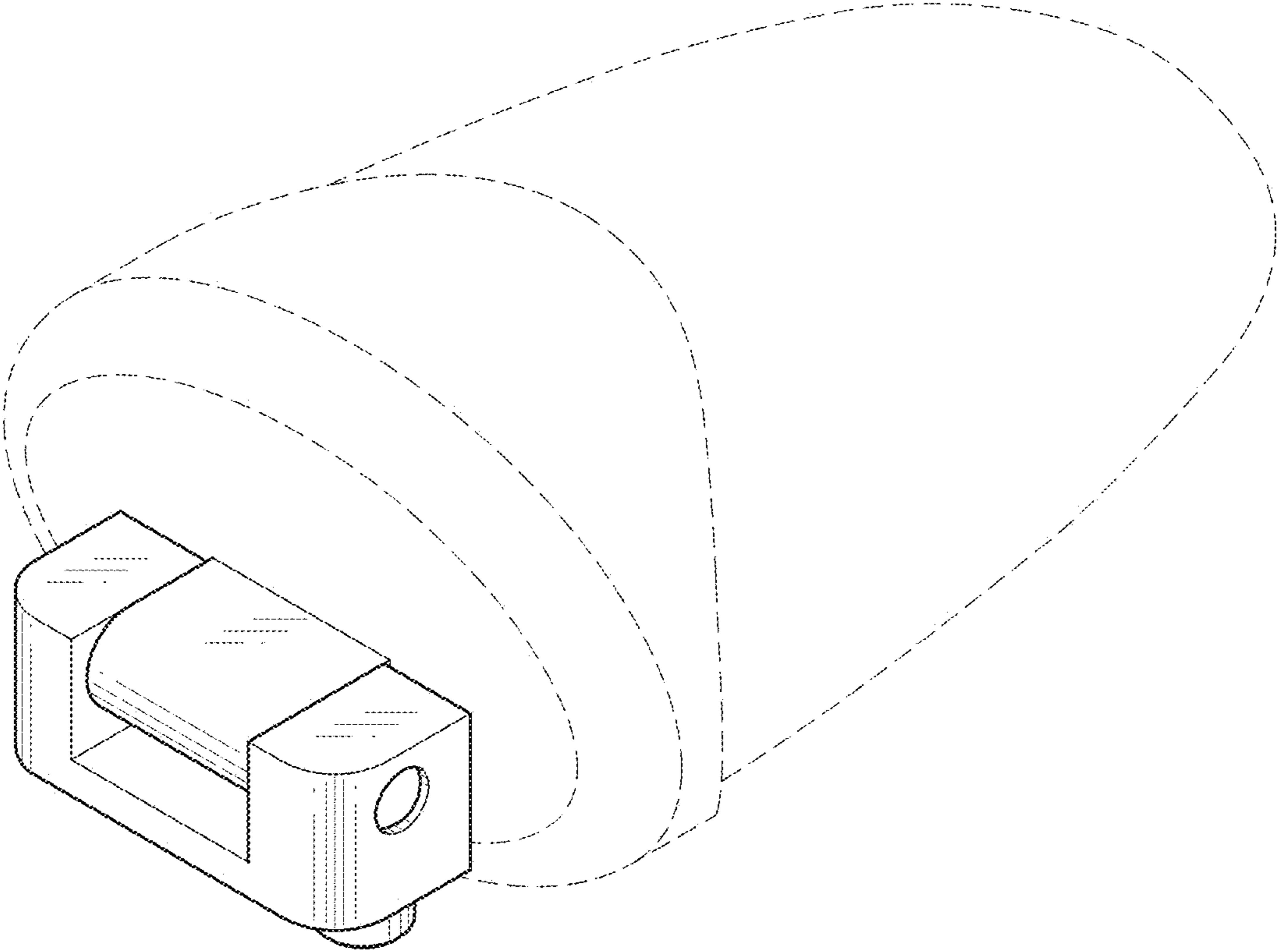


FIG.1

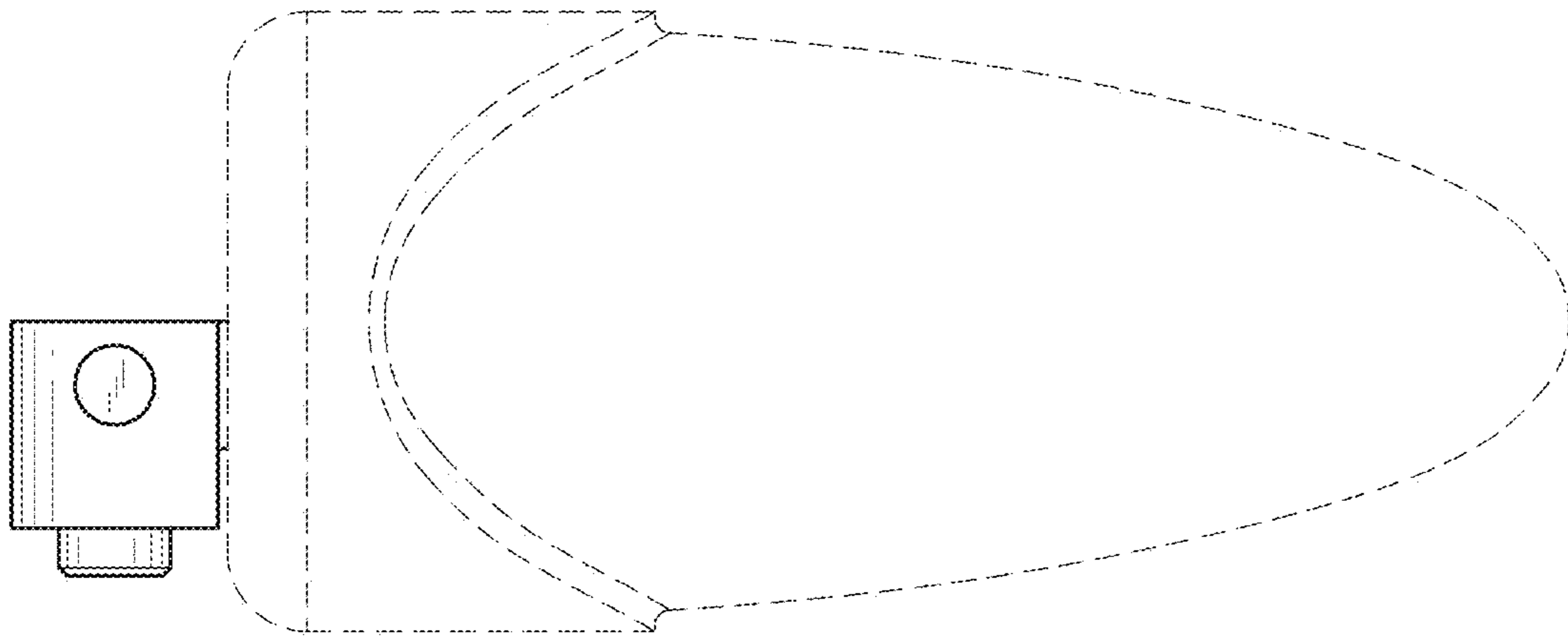


FIG. 2

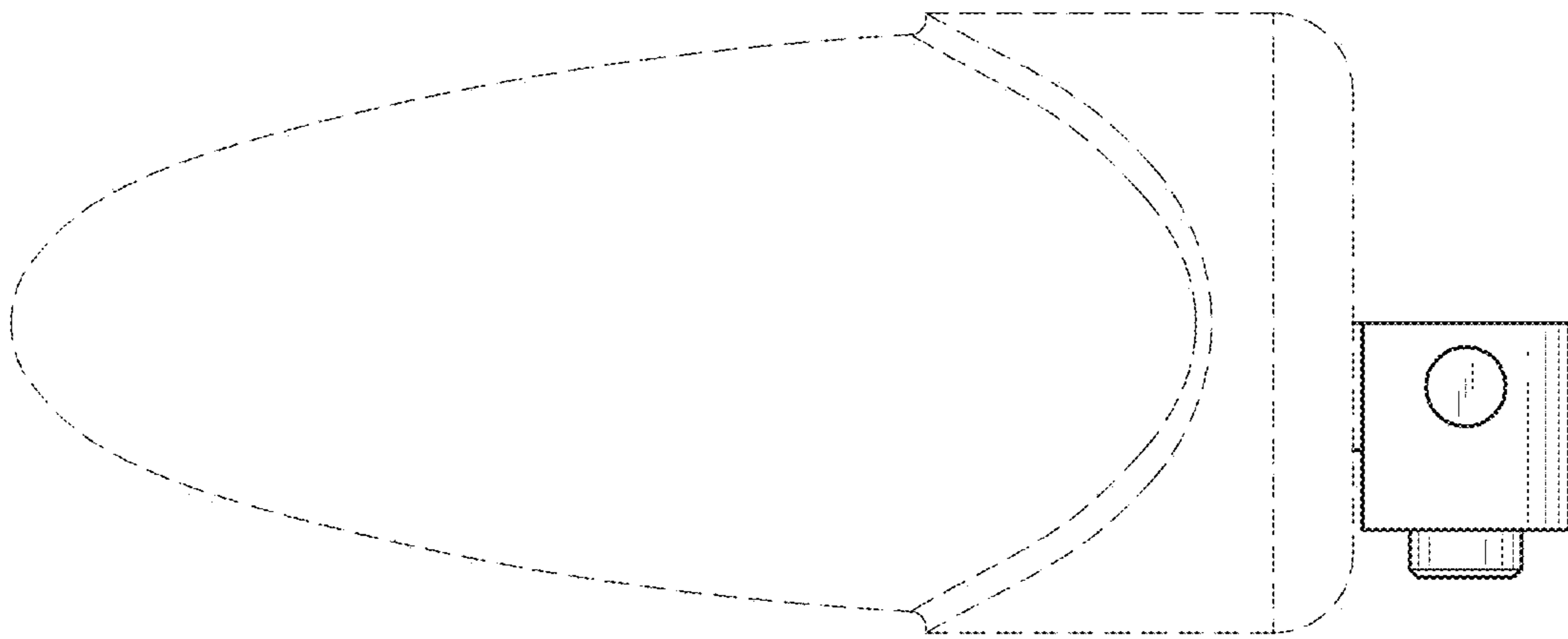


FIG. 3

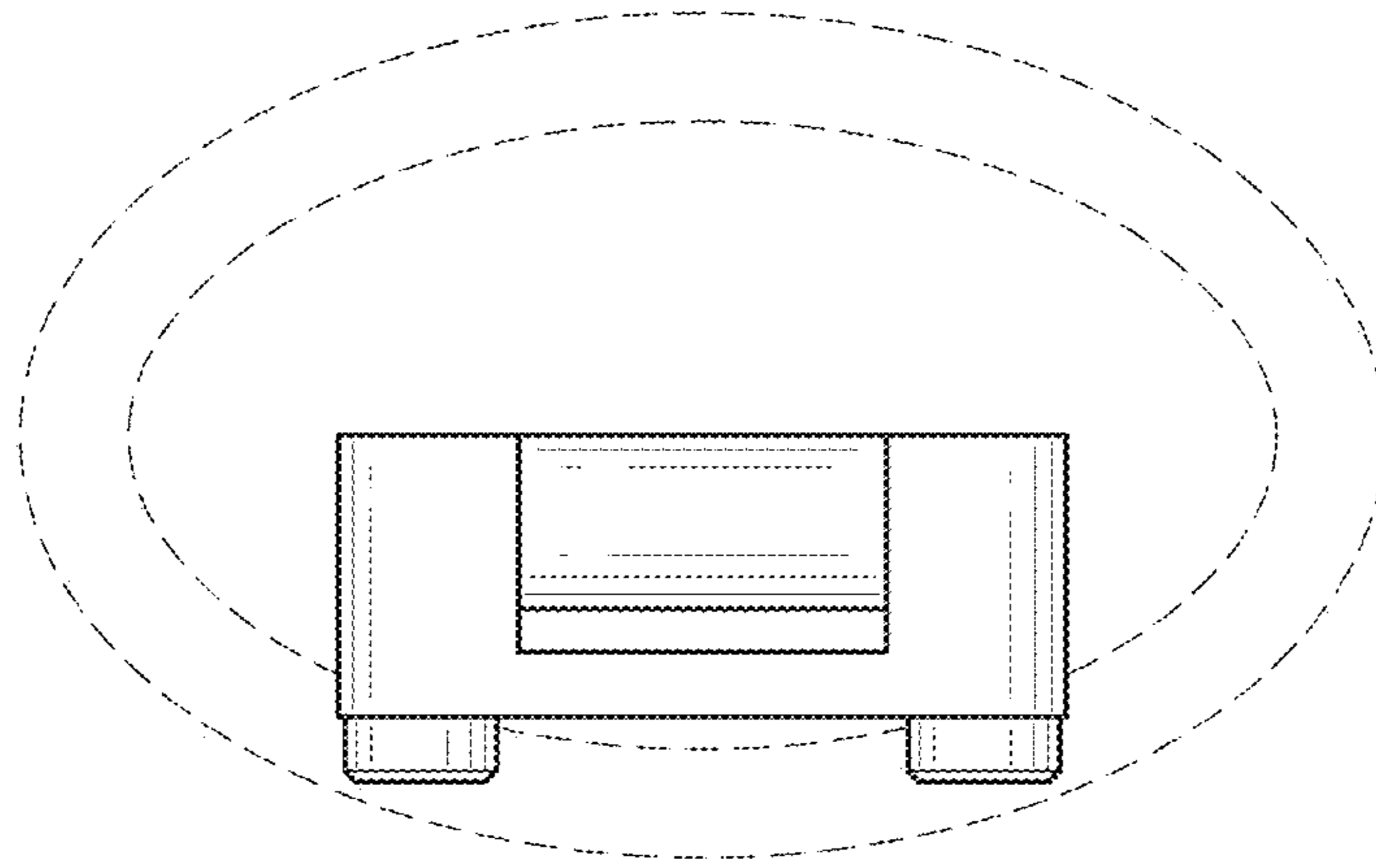


FIG.4

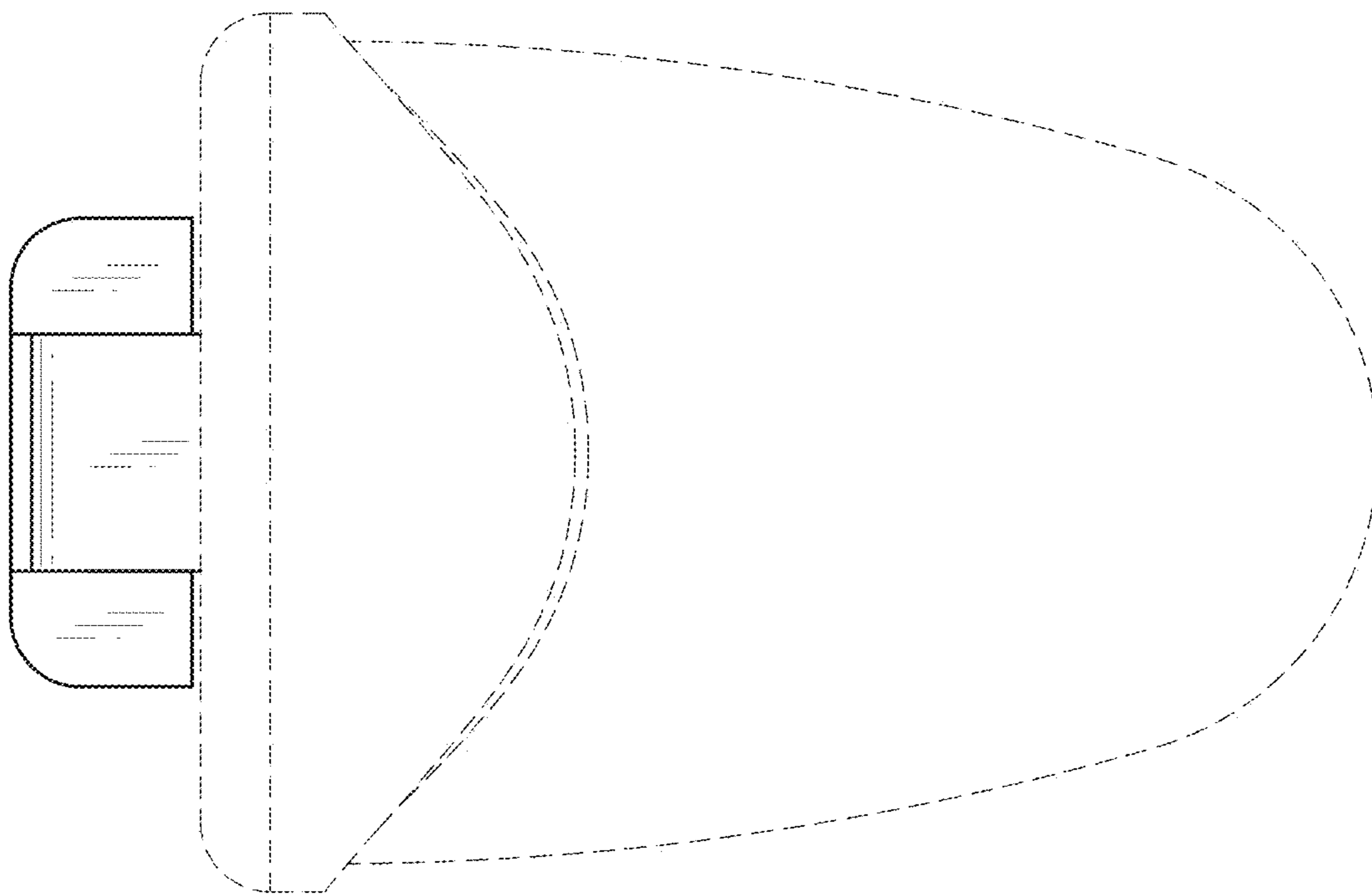


FIG.5

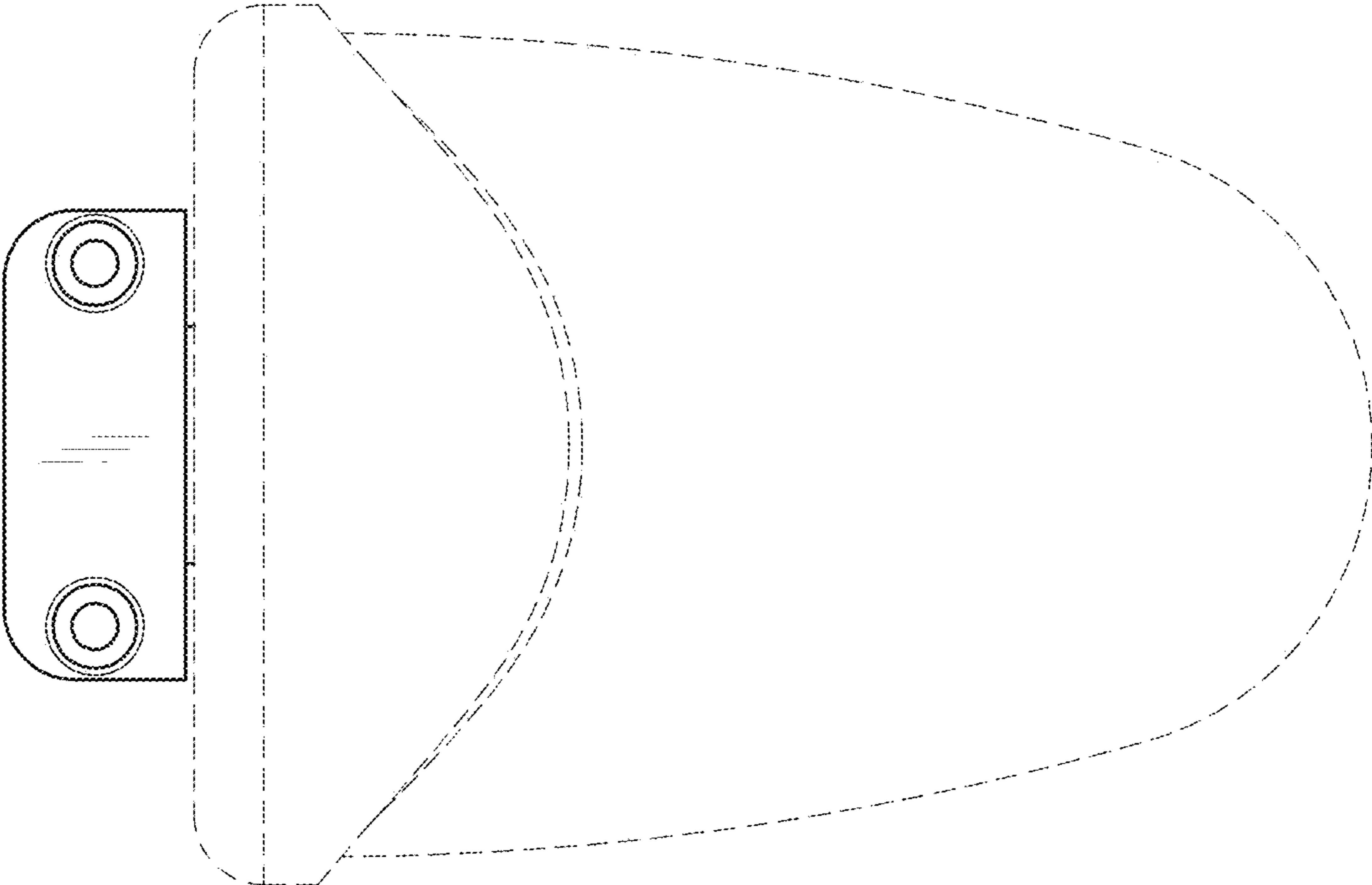


FIG.6