



US00D956486S

(12) **United States Design Patent** (10) **Patent No.:** **US D956,486 S**
Joseph (45) **Date of Patent:** **** Jul. 5, 2022**

(54) **CUTTING BOARD HOLDER**
(71) Applicant: **JOSEPH JOSEPH LTD.**, London (GB)
(72) Inventor: **Antony Joseph**, London (GB)
(73) Assignee: **JOSEPH JOSEPH LTD.**, London (GB)

D882,358 S * 4/2020 Joseph D7/698
D891,199 S * 7/2020 Moskovic D7/637
D898,116 S * 10/2020 Snell D19/90
D911,130 S * 2/2021 Joseph D7/698
D914,462 S * 3/2021 Feng D7/638
D939,286 S * 12/2021 Nathan A47J 47/16
D7/601

(Continued)

(**) Term: **15 Years**
(21) Appl. No.: **29/738,371**
(22) Filed: **Jun. 17, 2020**

(30) **Foreign Application Priority Data**

Dec. 17, 2019 (EM) 007419601

(51) **LOC (13) Cl.** **07-04**
(52) **U.S. Cl.**
USPC **D7/638**

(58) **Field of Classification Search**
USPC D7/368, 504, 601, 602, 631, 632,
D7/637-641, 669, 698, 699, 701, 708;
D19/34.1, 86, 90; D32/55-57
CPC A47G 21/14; A47G 21/16; A47J 47/005;
A47J 47/16; B65D 1/34; B65D 1/36
See application file for complete search history.

(56) **References Cited**

U.S. PATENT DOCUMENTS

D199,981 S * 1/1965 Litton D7/701
D275,256 S * 8/1984 Gilliam D7/504
D382,775 S * 8/1997 Skerker D7/638
D396,386 S * 7/1998 Conner D7/641
D422,846 S * 4/2000 Swick D7/601
D689,750 S * 9/2013 Wang D7/698
D747,156 S * 1/2016 Ferry D7/601
D844,402 S * 4/2019 Evans D7/698
D849,489 S * 5/2019 Evans D7/698
D850,169 S * 6/2019 Tsai D6/678.4

OTHER PUBLICATIONS

Joseph Joseph Nest Plus 6-Piece Knife and Cutting Board Set, Amazon, [online], [site visited Dec. 20, 2021], Available from internet URL: <https://www.amazon.com/Joseph-6-piece-Knife-Cutting-Silver/dp/B08QH36KGG> (Year: 2021).*

(Continued)

Primary Examiner — Mary Ann Calabrese

Assistant Examiner — Natalya M Rapundalo

(74) *Attorney, Agent, or Firm* — Millen, White, Zelano & Branigan, PC; Ryan Pool

(57) **CLAIM**

The ornamental design for a cutting board holder, as shown and described.

DESCRIPTION

FIG. 1 is a front view of the cutting board holder showing my new design.

FIG. 2 is a back view thereof.

FIG. 3 is a right side view thereof.

FIG. 4 is a left side view thereof.

FIG. 5 is a top view thereof.

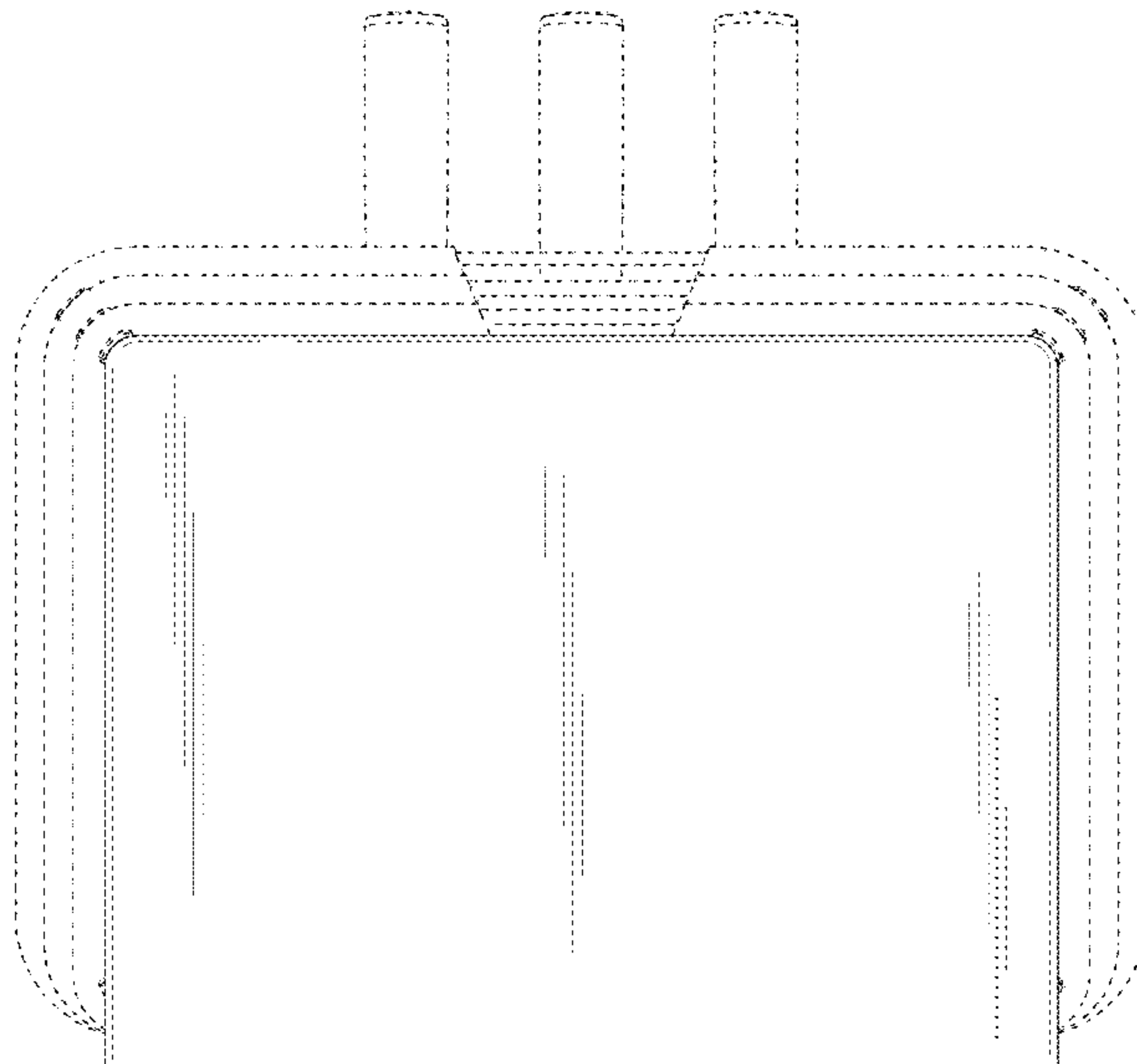
FIG. 6 is a bottom view thereof.

FIG. 7 is a front perspective view thereof; and,

FIG. 8 is a rear perspective exploded view thereof.

The broken lines in the drawings illustrate portions of the cutting board holder which form no part of the claimed design.

1 Claim, 8 Drawing Sheets



(56)

References Cited

U.S. PATENT DOCUMENTS

2021/0100403 A1* 4/2021 Nathan A47J 47/16

OTHER PUBLICATIONS

Morphy Richards Sterilizer Knife And Chopsticks Cutting Board Rack, Ali Express, [online], [site visited Jan. 5, 2022], Available from internet URL: <https://www.aliexpress.com/item/1005003629679139> (Year: 2022).*

* cited by examiner

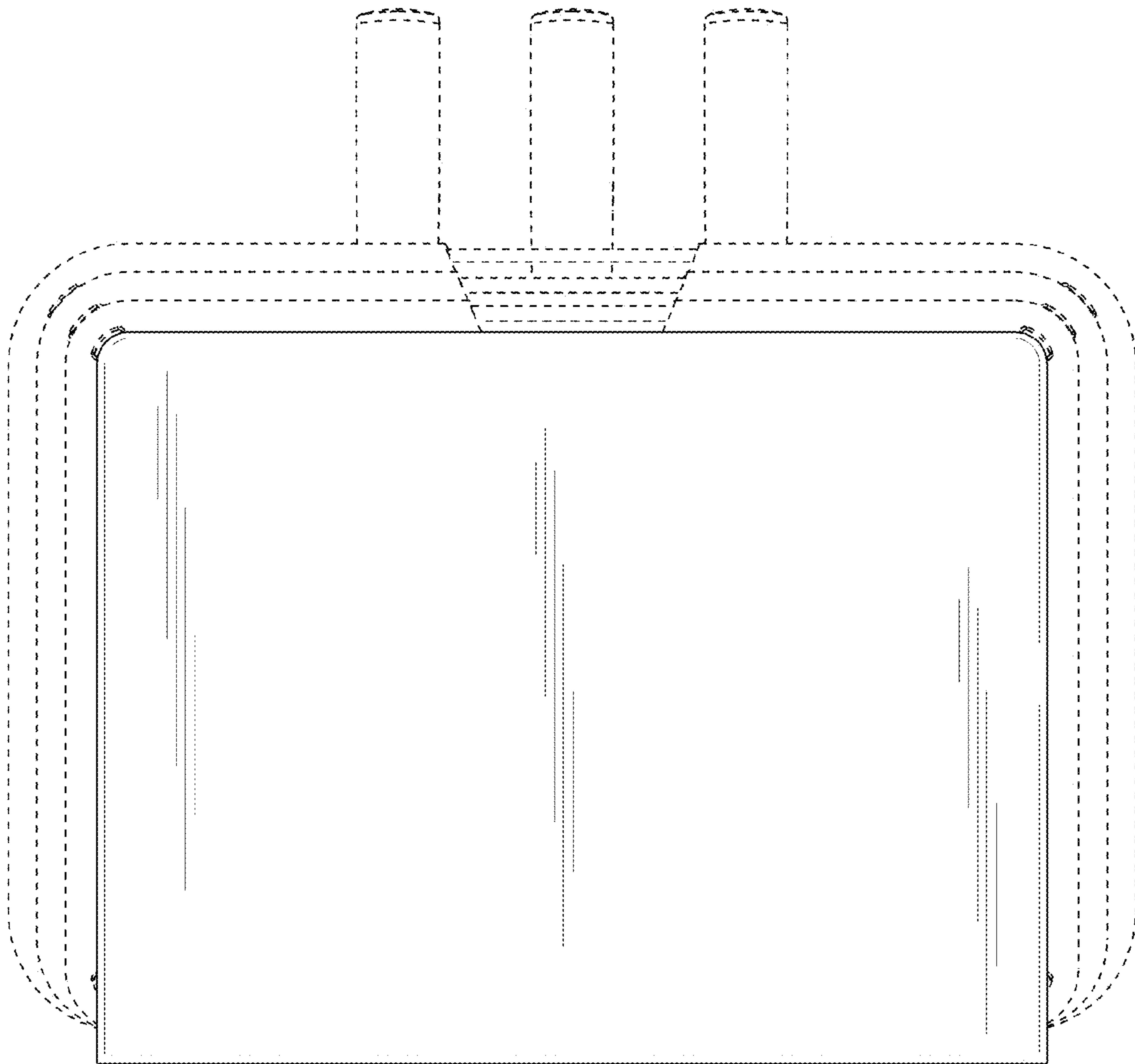


FIG. 1

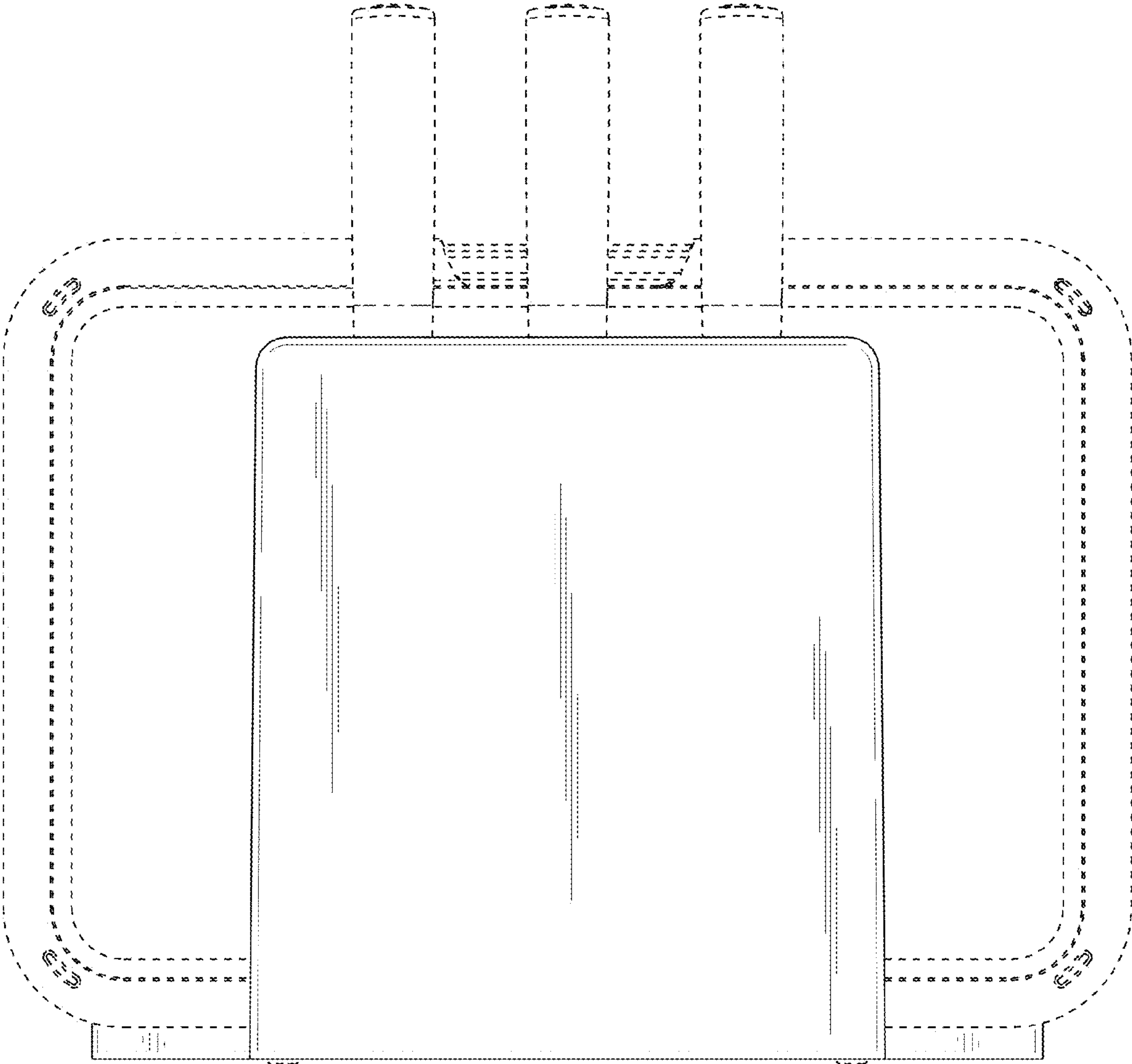


FIG. 2

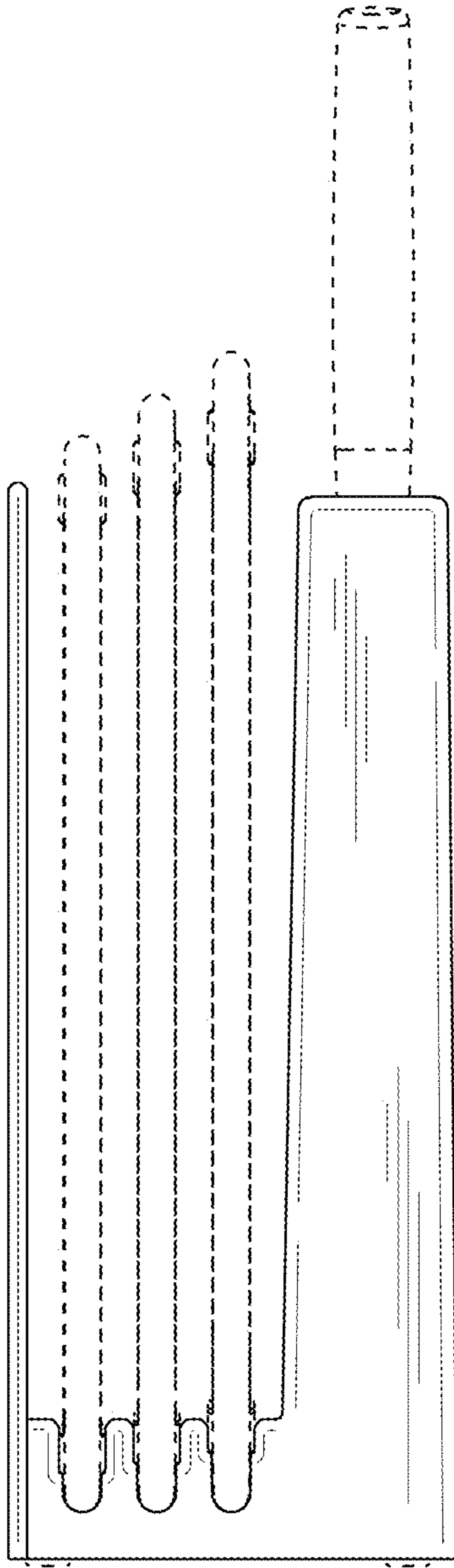


FIG. 3

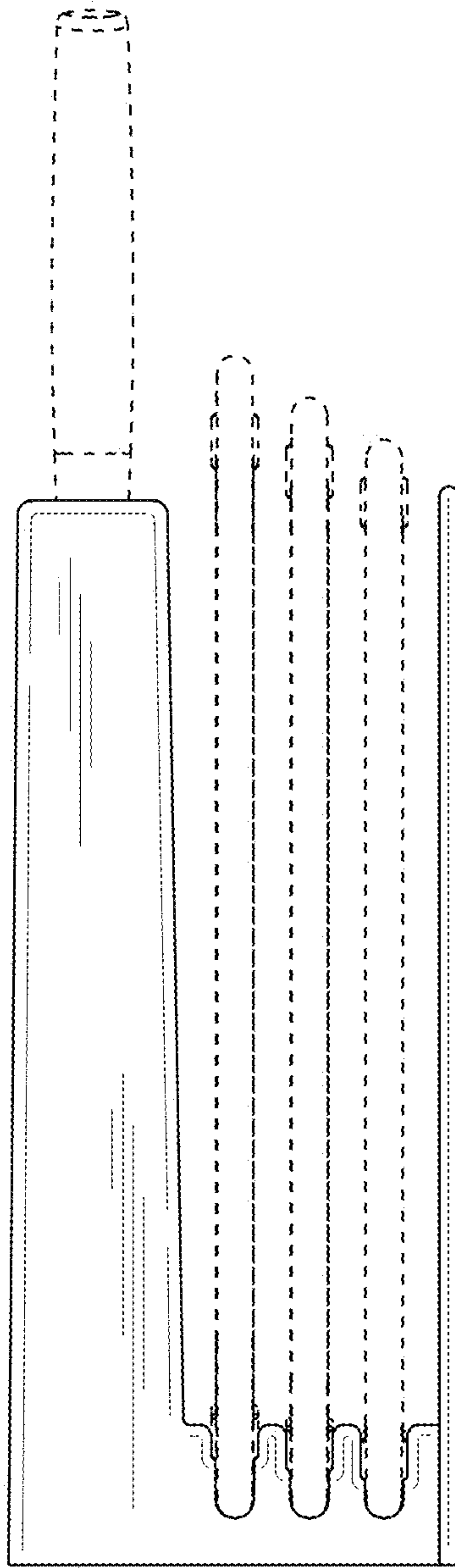


FIG. 4

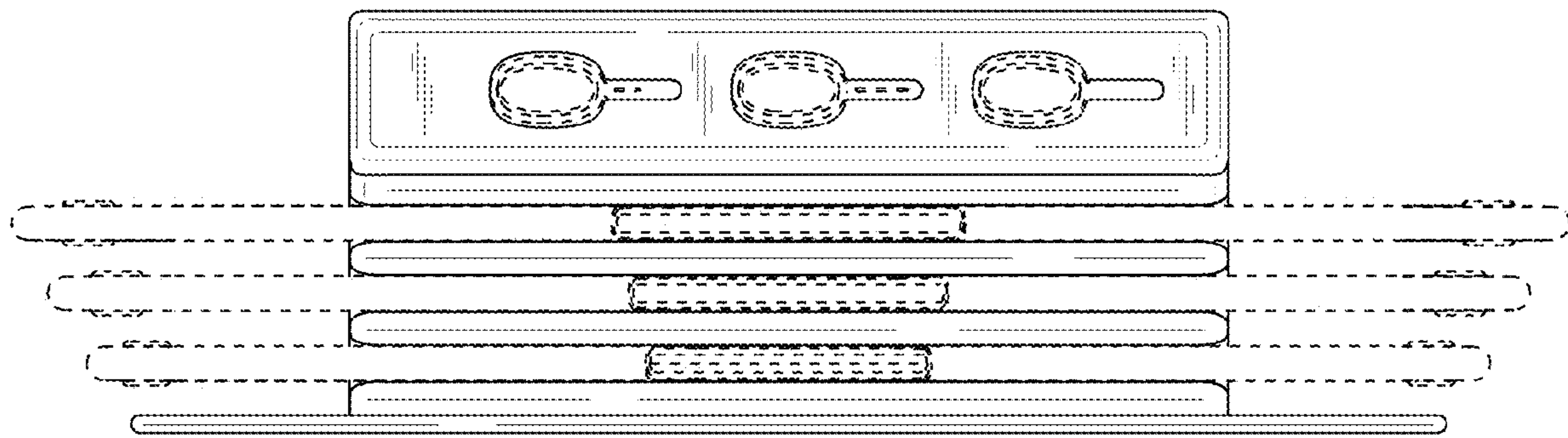


FIG. 5

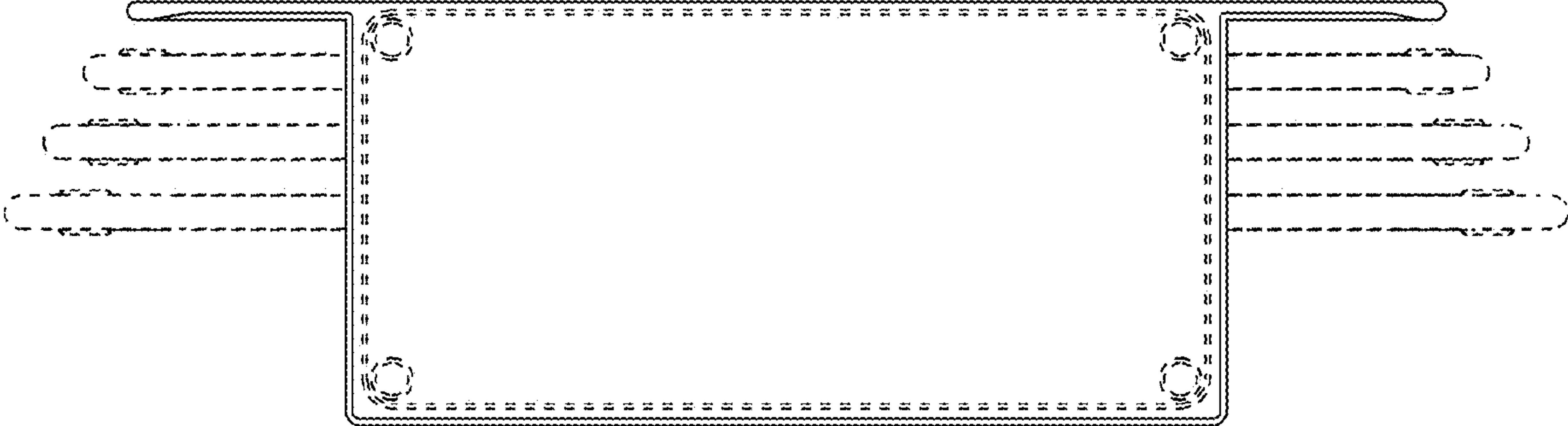


FIG. 6

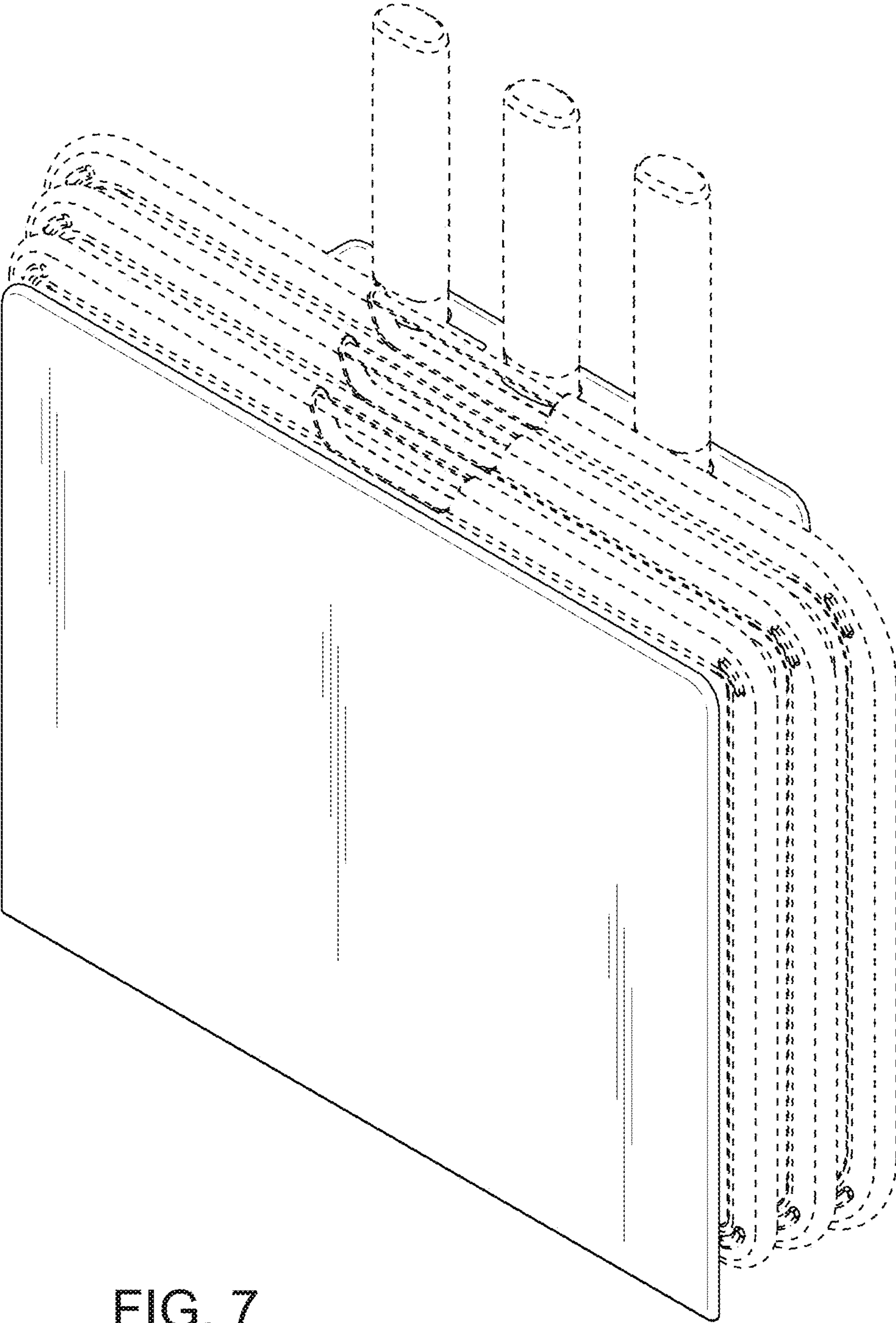


FIG. 7

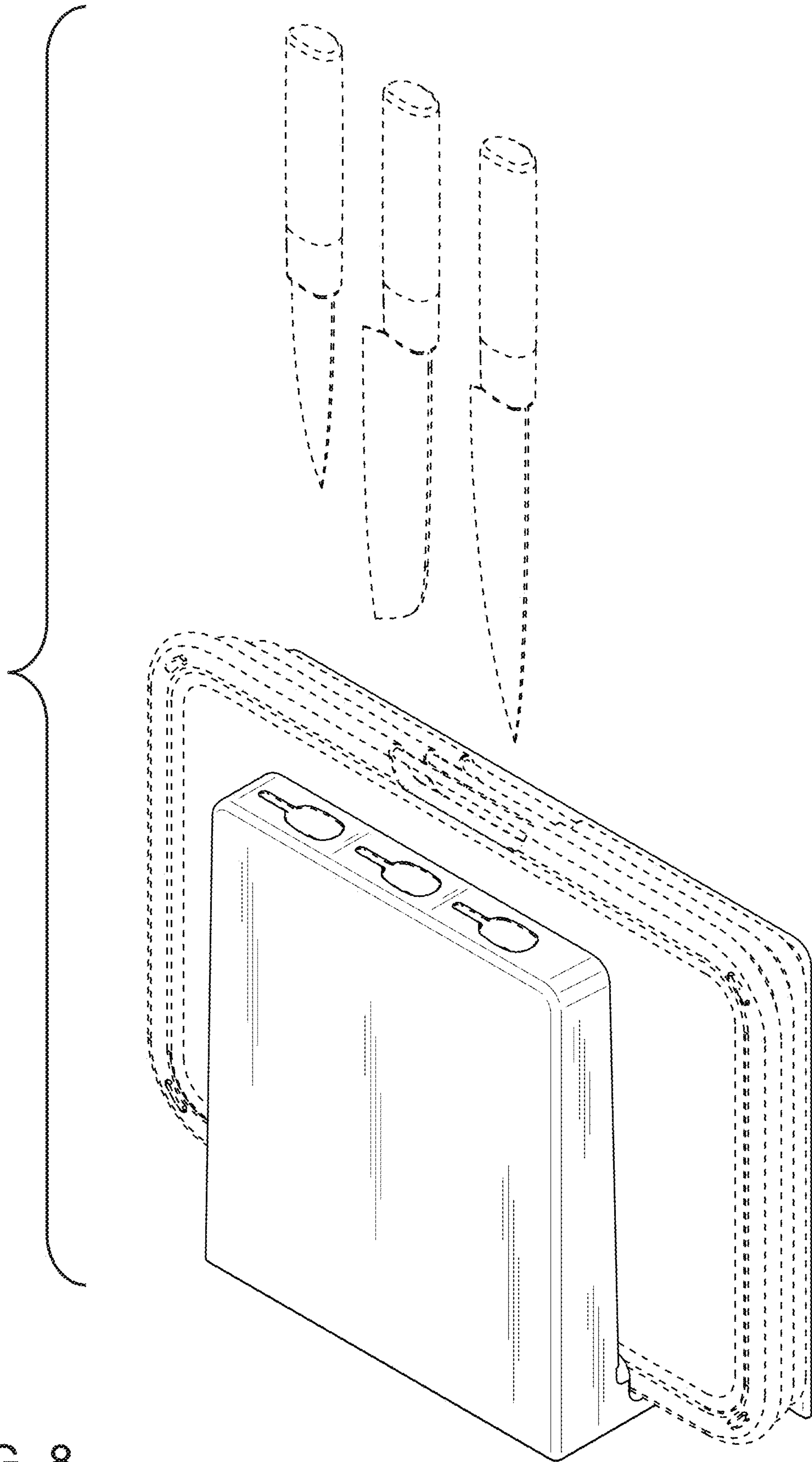


FIG. 8