



US00D956485S

(12) **United States Design Patent**
Veldkamp

(10) **Patent No.:** **US D956,485 S**

(45) **Date of Patent:** **** Jul. 5, 2022**

(54) **ORGANIZER**

(71) Applicant: **Spectrum Diversified Designs, LLC**,
Streetsboro, OH (US)

(72) Inventor: **Derek Veldkamp**, Seattle, WA (US)

(73) Assignee: **SPECTRUM DIVERSIFIED
DESIGNS, LLC**, Streetsboro, OH (US)

(**) Term: **15 Years**

(21) Appl. No.: **29/717,180**

(22) Filed: **Dec. 16, 2019**

(51) **LOC (13) Cl.** **07-07**

(52) **U.S. Cl.**
USPC **D7/637**

(58) **Field of Classification Search**
USPC D3/304, 306, 316; D6/566, 567, 573,
D6/574; D7/631, 637-641; D19/75, 81,
D19/83-86, 90, 92
CPC A47B 88/00; A47G 21/14; A47G 21/16;
A47G 21/184; A47G 23/06; A47G
29/087; A47J 45/02; A47J 47/16; B65D
1/34; B65D 1/36
See application file for complete search history.

(56) **References Cited**

U.S. PATENT DOCUMENTS

D332,553 S *	1/1993	Giugiaro	D7/637
D353,078 S *	12/1994	Davis	D7/637
D421,554 S *	3/2000	Govrik	D6/706
D434,952 S *	12/2000	Diehl	D7/637
D562,641 S *	2/2008	Dretzka	D7/637
D571,161 S *	6/2008	Snider	D3/304
D667,278 S *	9/2012	Murphy	D7/637

D707,501 S *	6/2014	Breuss	D7/641
D711,691 S *	8/2014	Hu	D7/637
D746,643 S *	1/2016	Kraemer	D7/637
D830,792 S *	10/2018	Hsu	D7/637
D906,060 S *	12/2020	Stevens	D7/637

OTHER PUBLICATIONS

Design Linus Deep Drawer Organizers, The Container Store website, https://www.containerstore.com/s/drawer-organizers/idesign-linus-deep-drawer-organizers/1d?productId=10012726&country=US¤cy=USD&utm_source=tcscmpshop&utm_medium, dated Nov. 14, 2019, 6 page.

* cited by examiner

Primary Examiner — Janice Patyk

(74) *Attorney, Agent, or Firm* — Tucker Ellis LLP

(57) **CLAIM**

The ornamental design for an organizer, as shown and described.

DESCRIPTION

FIG. 1 is a perspective view of an organizer showing my new design.

FIG. 2 is a left side view thereof.

FIG. 3 is a right side view thereof.

FIG. 4 is a rear view thereof.

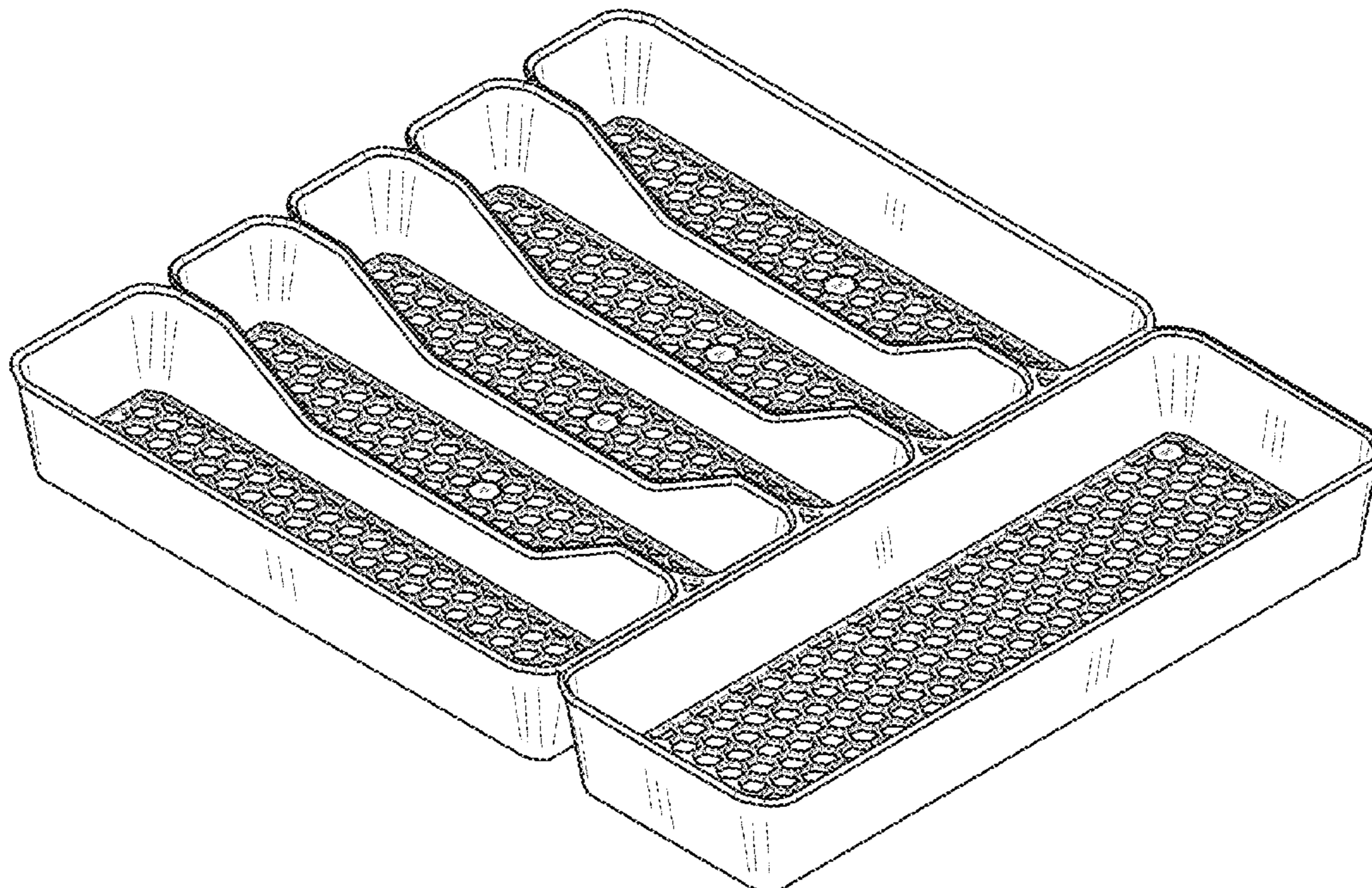
FIG. 5 is a front view thereof

FIG. 6 is a top view thereof; and,

FIG. 7 is a bottom view thereof.

The broken lines in the figures illustrate portions of the organizer that form no part of the claimed design.

1 Claim, 5 Drawing Sheets



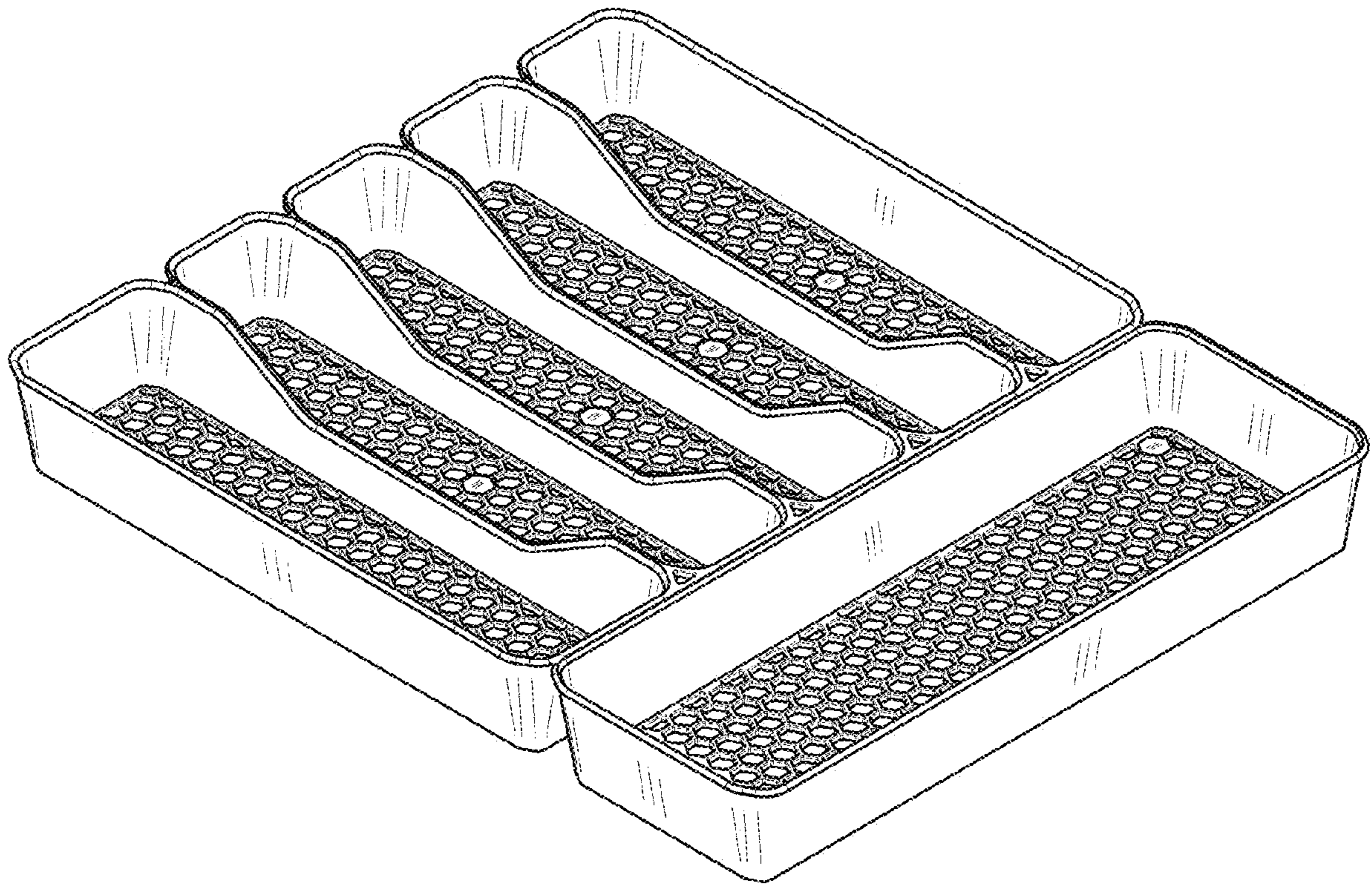


FIG. 1



FIG. 2

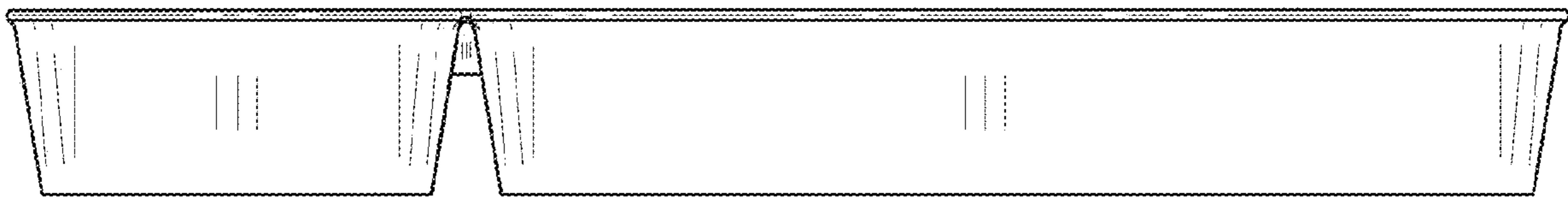


FIG. 3

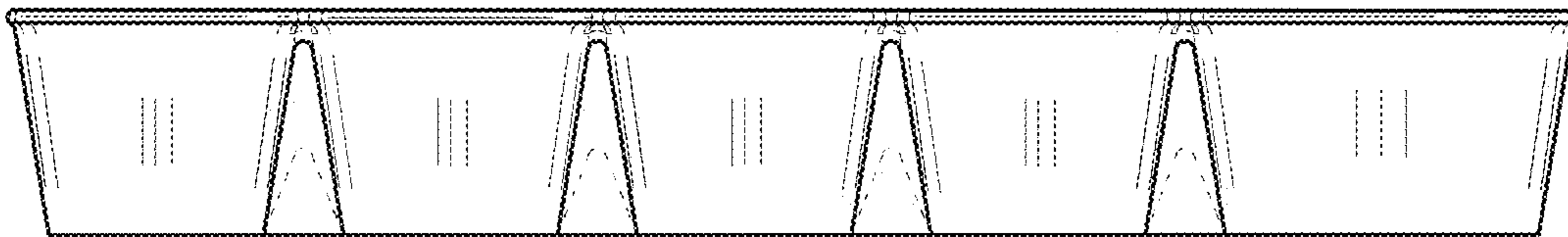


FIG. 4

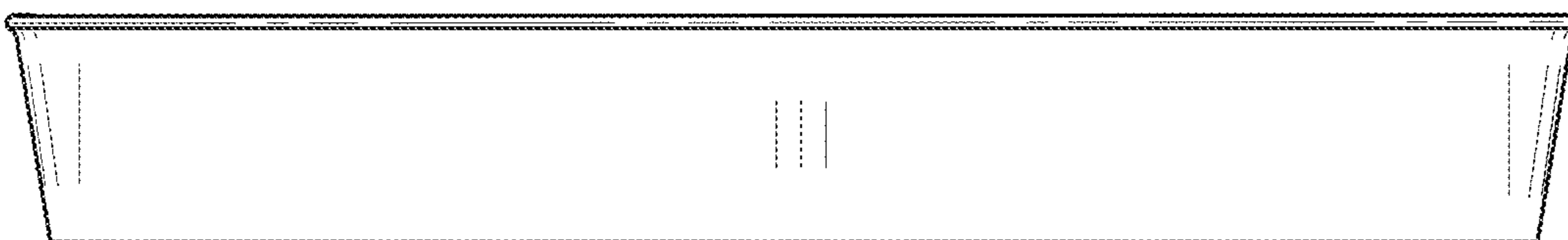


FIG. 5

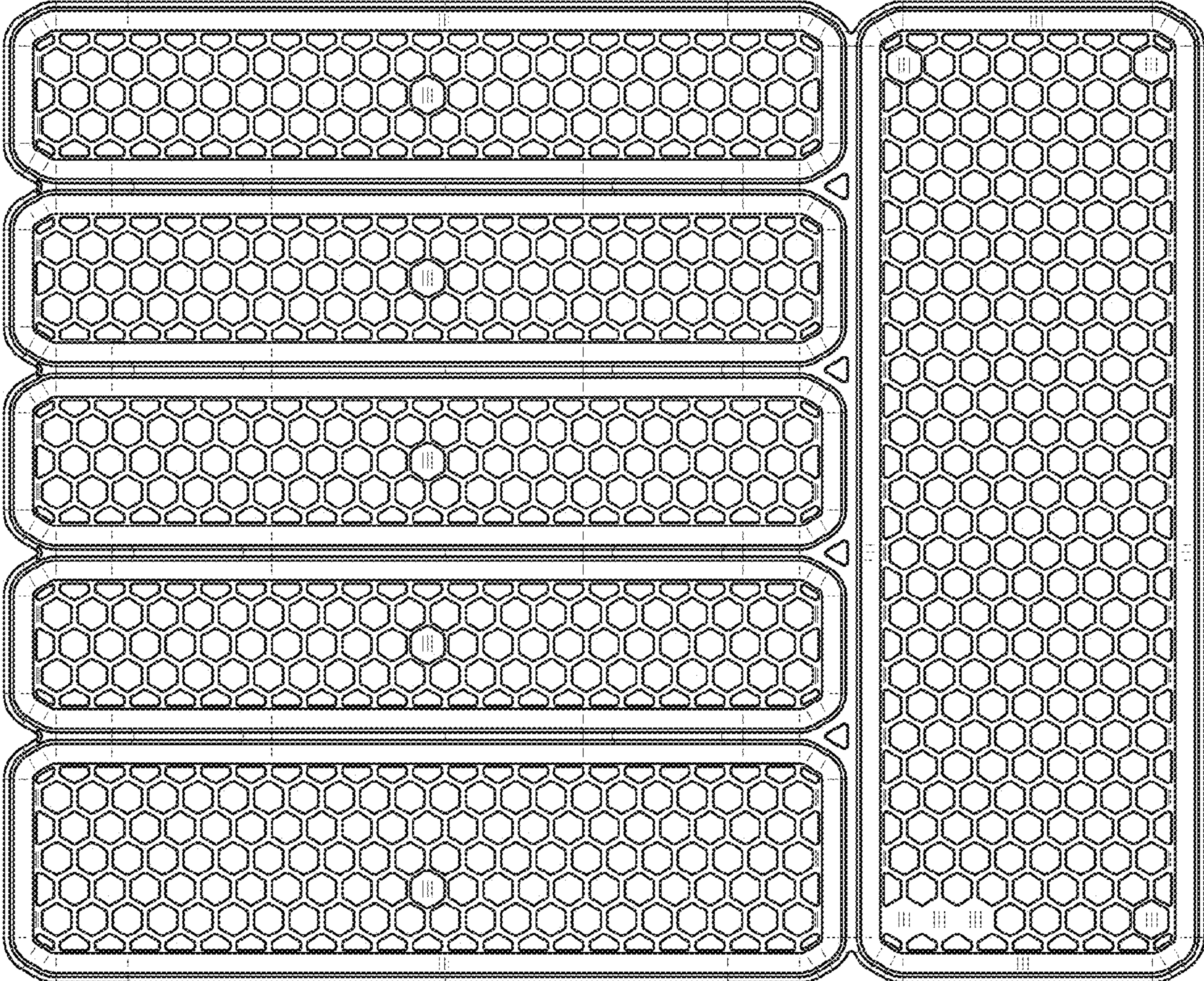


FIG. 6

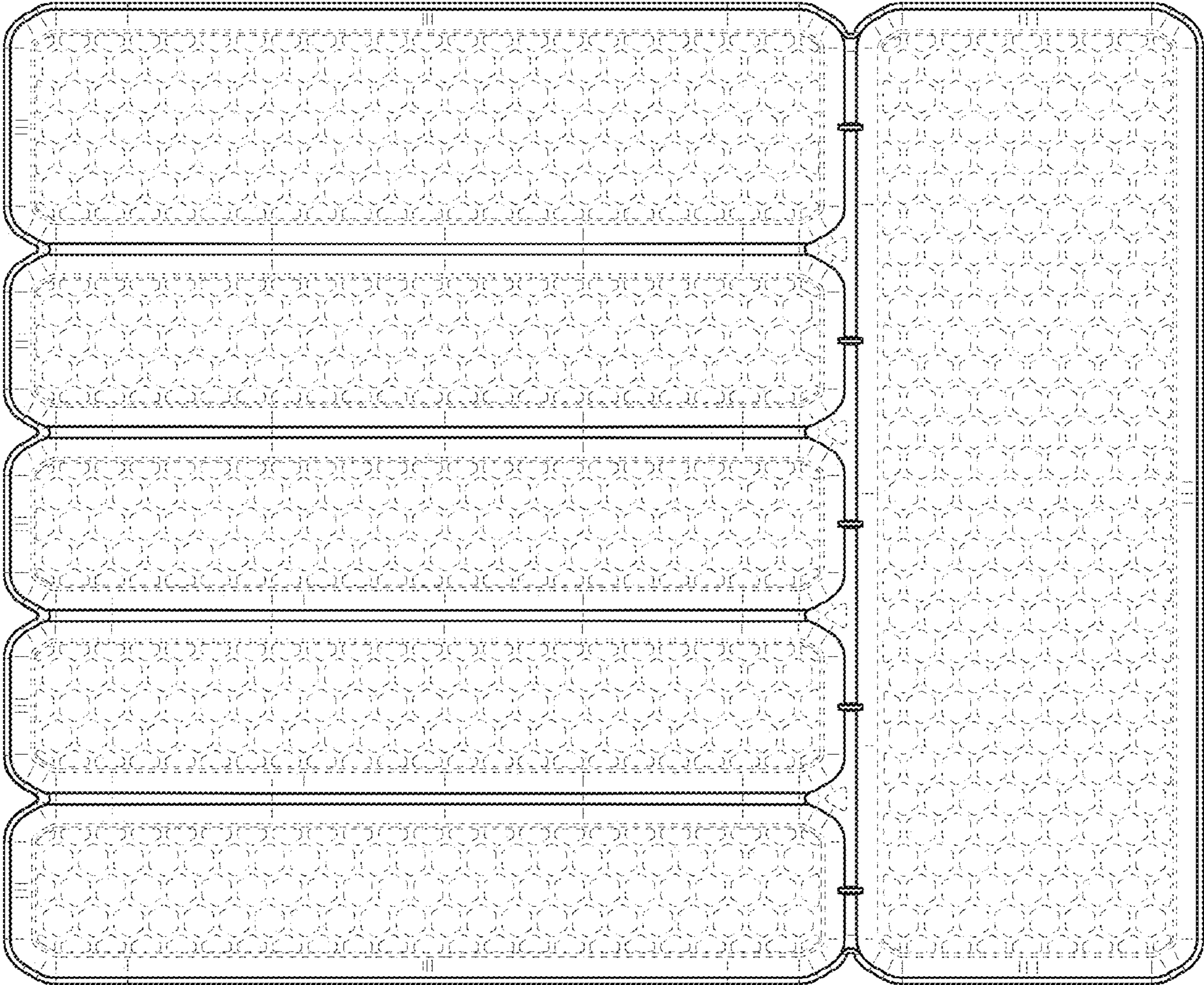


FIG. 7