



US00D956483S

(12) **United States Design Patent**
Nam et al.

(10) **Patent No.:** **US D956,483 S**
(45) **Date of Patent:** **** Jul. 5, 2022**

(54) **CONTAINER FOR FOOD STORAGE**

(71) Applicant: **LOCK & LOCK CO., LTD.**,
Chungcheongnam-do (KR)

(72) Inventors: **Soojung Nam**, Seoul (KR); **Dongseop Shim**, Gyeonggi-do (KR)

(73) Assignee: **LOCK & LOCK CO., LTD.**,
Chungcheongnam-Do (KR)

(**) Term: **15 Years**

(21) Appl. No.: **29/715,815**

(22) Filed: **Dec. 4, 2019**

(30) **Foreign Application Priority Data**

Jun. 5, 2019 (KR) 30-2019-0026844

(51) **LOC (13) Cl.** **09-07**

(52) **U.S. Cl.**
USPC **D7/629**

(58) **Field of Classification Search**
USPC D7/602, 609, 629, 630, 701, 703, 391,
D7/392.1, 397; D9/416, 424, 425, 426,
D9/430, 432, 435, 761; D19/102, 106;
D3/201, 203.6, 273

CPC ... B65D 1/26; B65D 1/40; B65D 5/24; B65D
81/34; B65D 81/3453; B65D 2581/34;
B65D 2581/3437

See application file for complete search history.

(56) **References Cited**

U.S. PATENT DOCUMENTS

D517,311 S * 3/2006 Kim D3/218
D698,614 S * 2/2014 Duvigneau D7/629
D699,082 S * 2/2014 Duvigneau D7/629
8,733,550 B2 * 5/2014 Harvey B65D 53/02
206/508

D759,421 S * 6/2016 Wiggins D7/602
D801,754 S * 11/2017 Neumann A45C 11/20
D7/629
D803,637 S * 11/2017 Feng D7/629
D815,924 S * 4/2018 Croft D7/629
D869,228 S * 12/2019 Zhang D7/392.1
10,974,874 B2 * 4/2021 Ragias B65D 43/0208
2005/0006390 A1 * 1/2005 Wang B65D 45/30
220/326
2005/0035125 A1 * 2/2005 Bae B65D 45/20
220/326
2008/0203092 A1 * 8/2008 Stamper B65D 43/0218
220/203.01
2014/0103033 A1 * 4/2014 Beckman B65D 43/0212
220/4.01

FOREIGN PATENT DOCUMENTS

JP D1433562 S 2/2012
JP D1437591 S 4/2012

(Continued)

Primary Examiner — Andrew Kerr

(74) *Attorney, Agent, or Firm* — Duane Morris LLP

(57) **CLAIM**

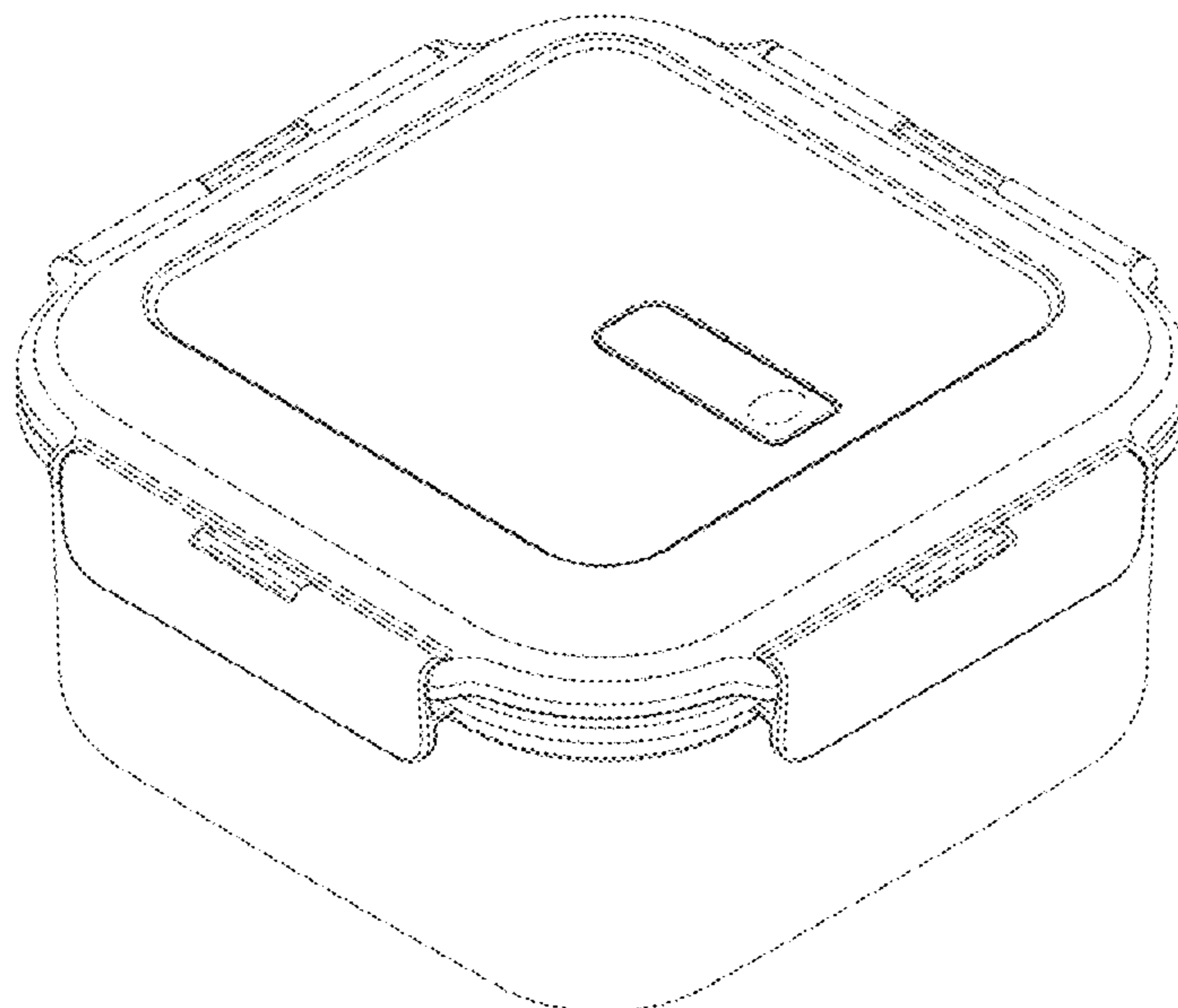
The ornamental design for a container for food storage, as shown and described.

DESCRIPTION

FIG. 1 is a top, front, right perspective view of a container for food storage showing our new design; FIG. 2 is a front elevation view thereof; FIG. 3 is a rear elevation view thereof; FIG. 4 is a left side elevation view thereof; FIG. 5 is a right side elevation view thereof; FIG. 6 is a top plan view thereof; and, FIG. 7 is a bottom plan view thereof.

The broken lines in the drawings depict portions of the container for food storage that form no part of the claimed design.

1 Claim, 7 Drawing Sheets



(56)

References Cited

FOREIGN PATENT DOCUMENTS

JP	D1473857 S	7/2013
JP	D1565344 S	12/2016
JP	D1574683 S	4/2017
KR	558227	10/2003
KR	3009130380000	7/2017
KR	3009340200000	12/2017

* cited by examiner

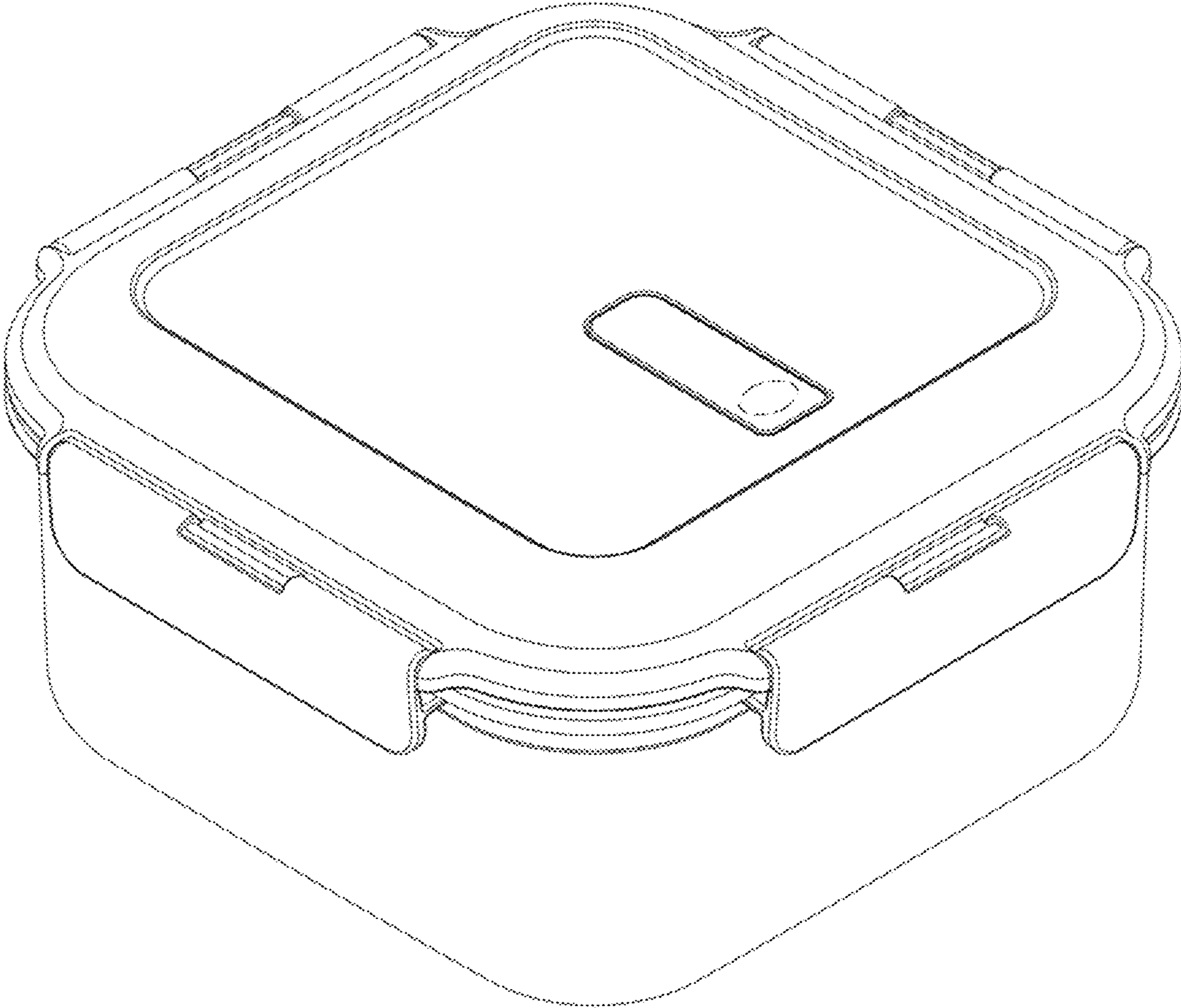


Fig. 1

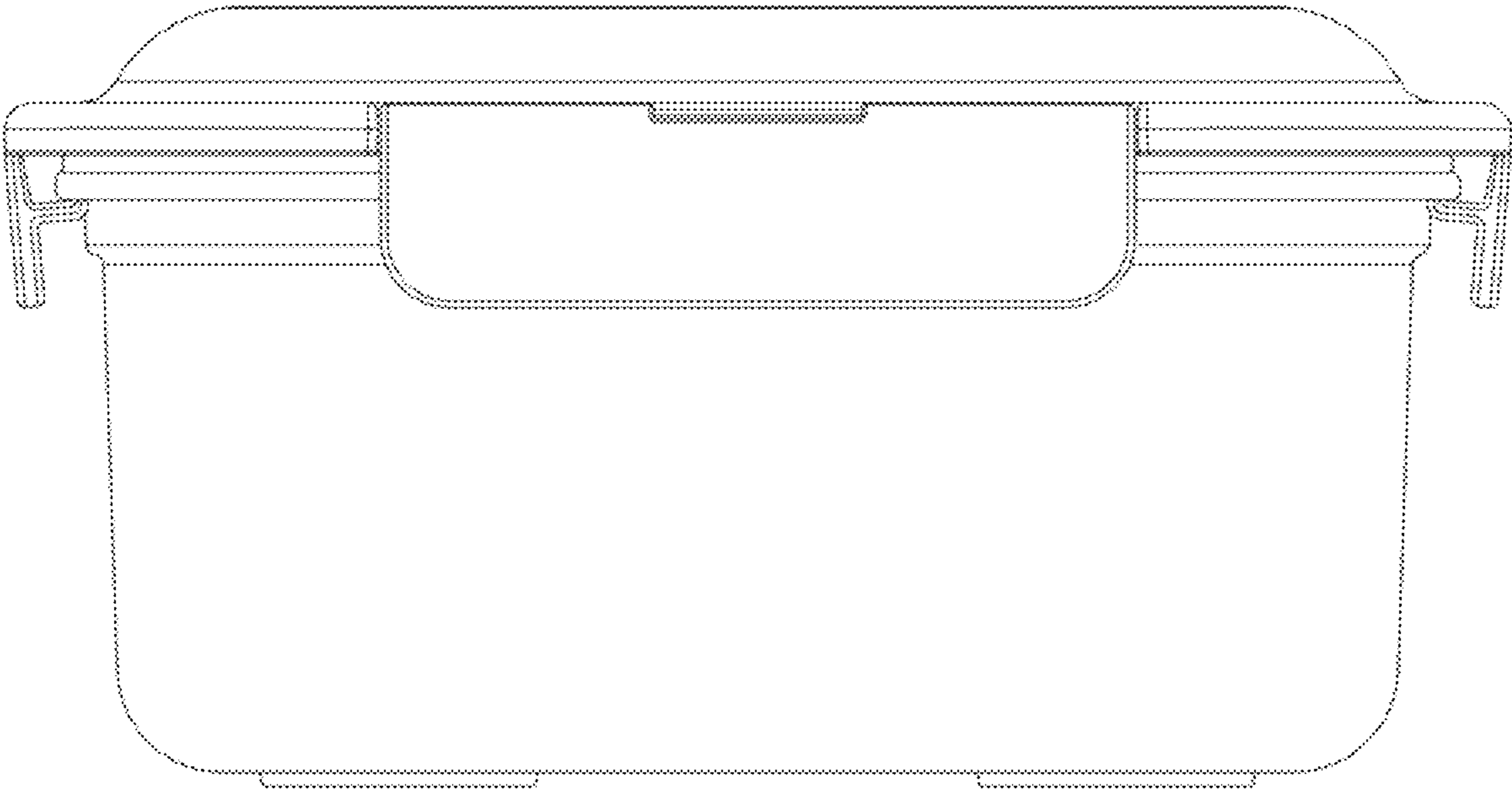


Fig. 2

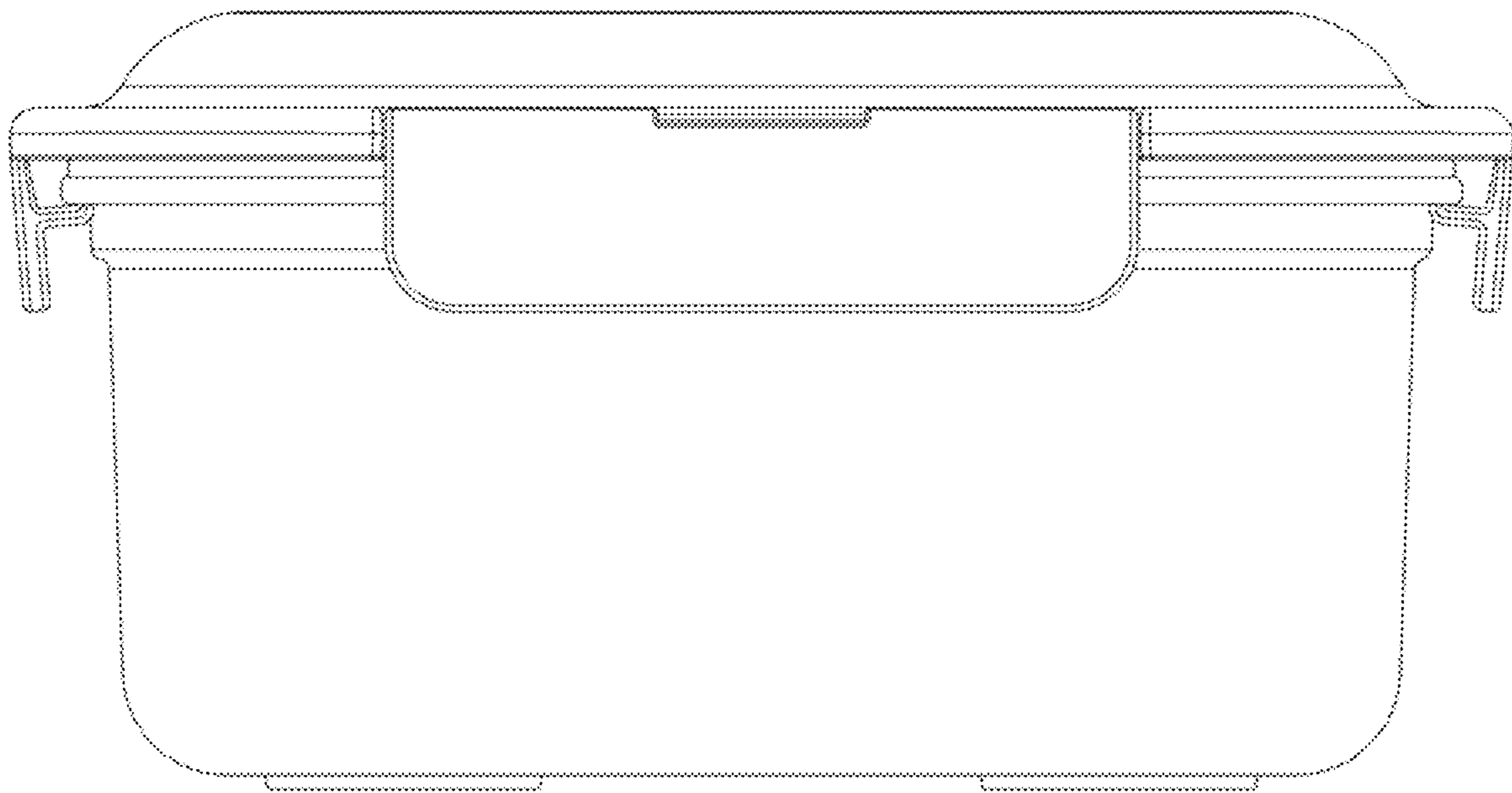


Fig. 3

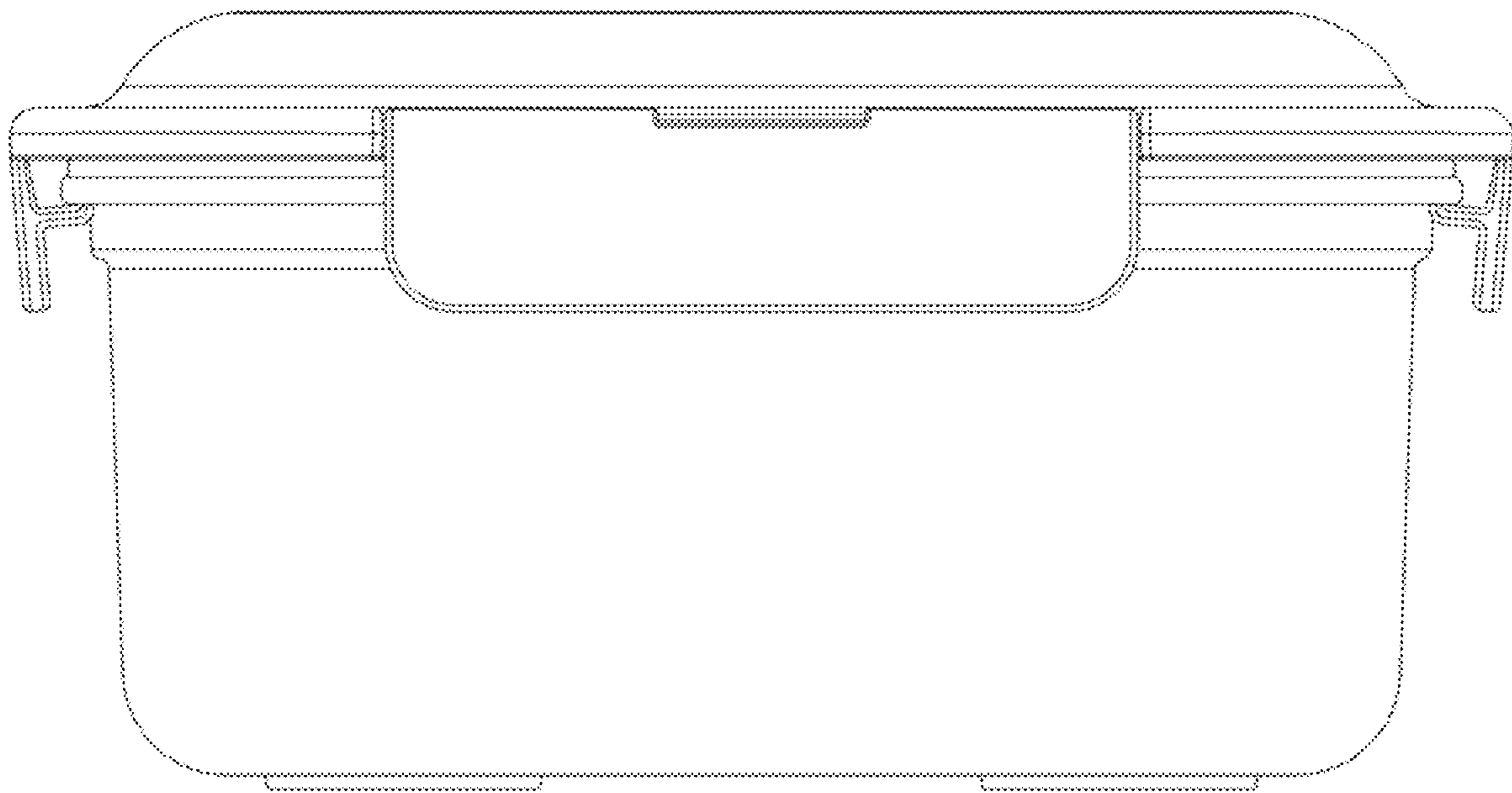


Fig. 4

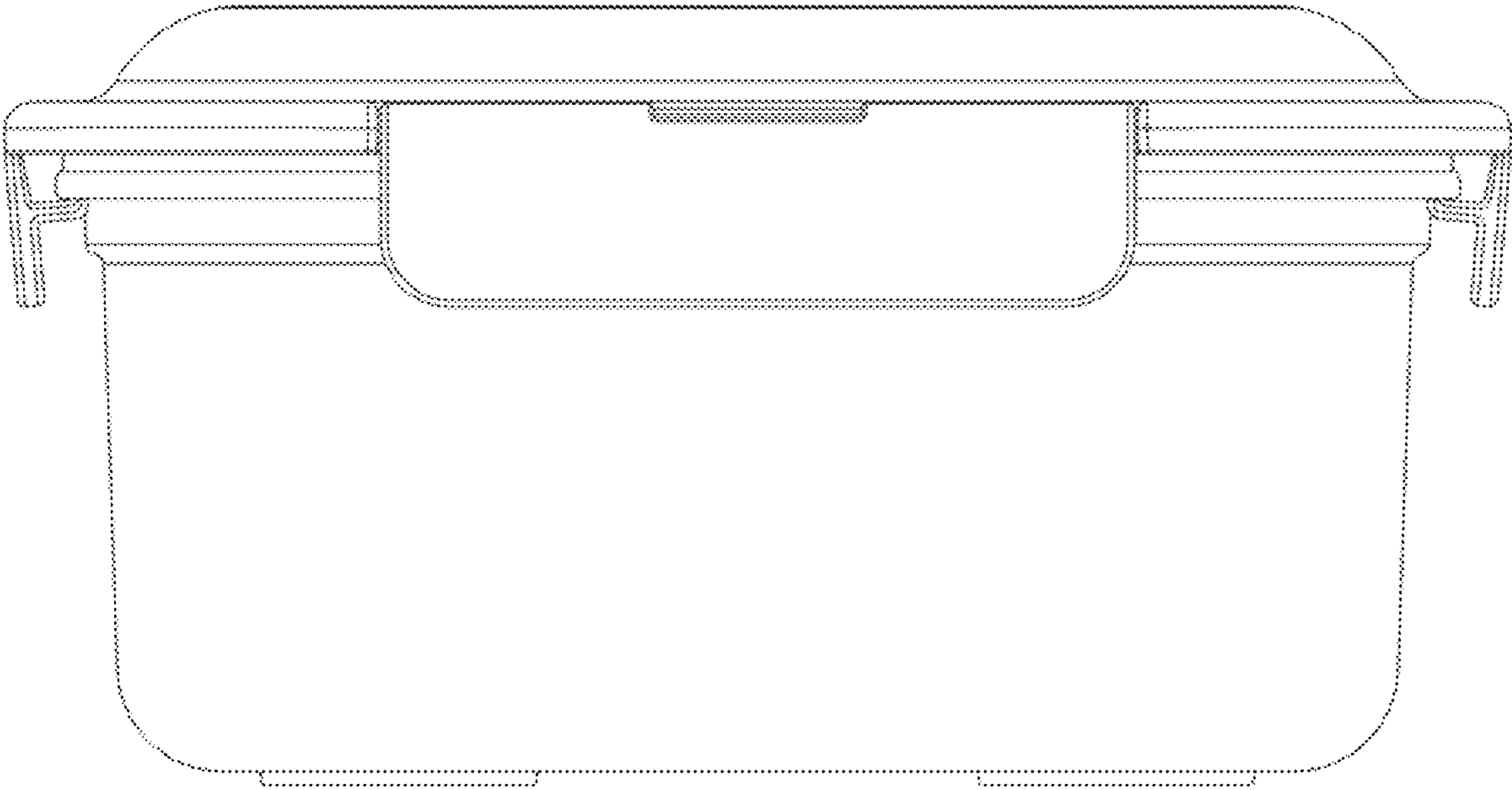


Fig. 5

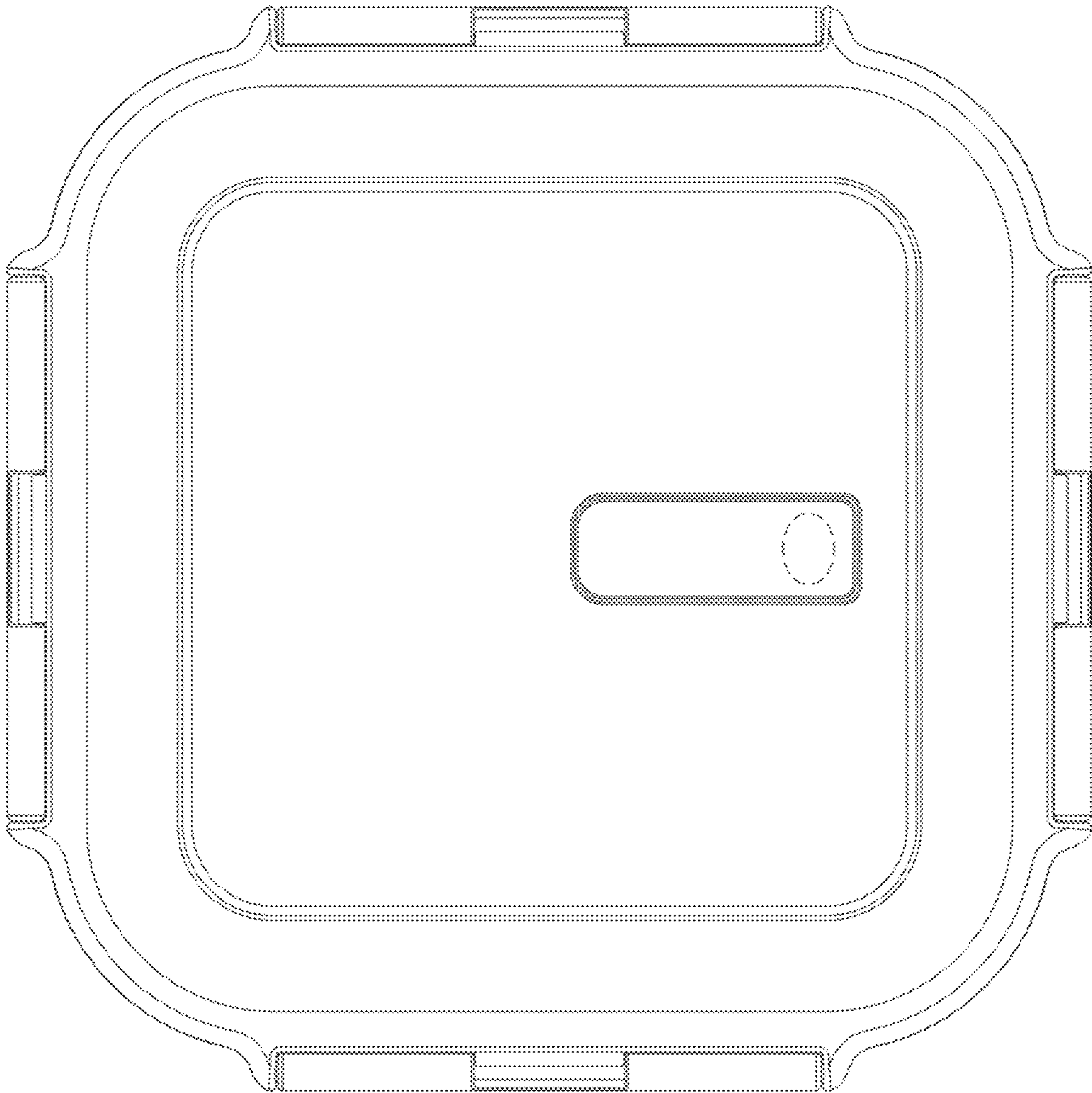


Fig. 6

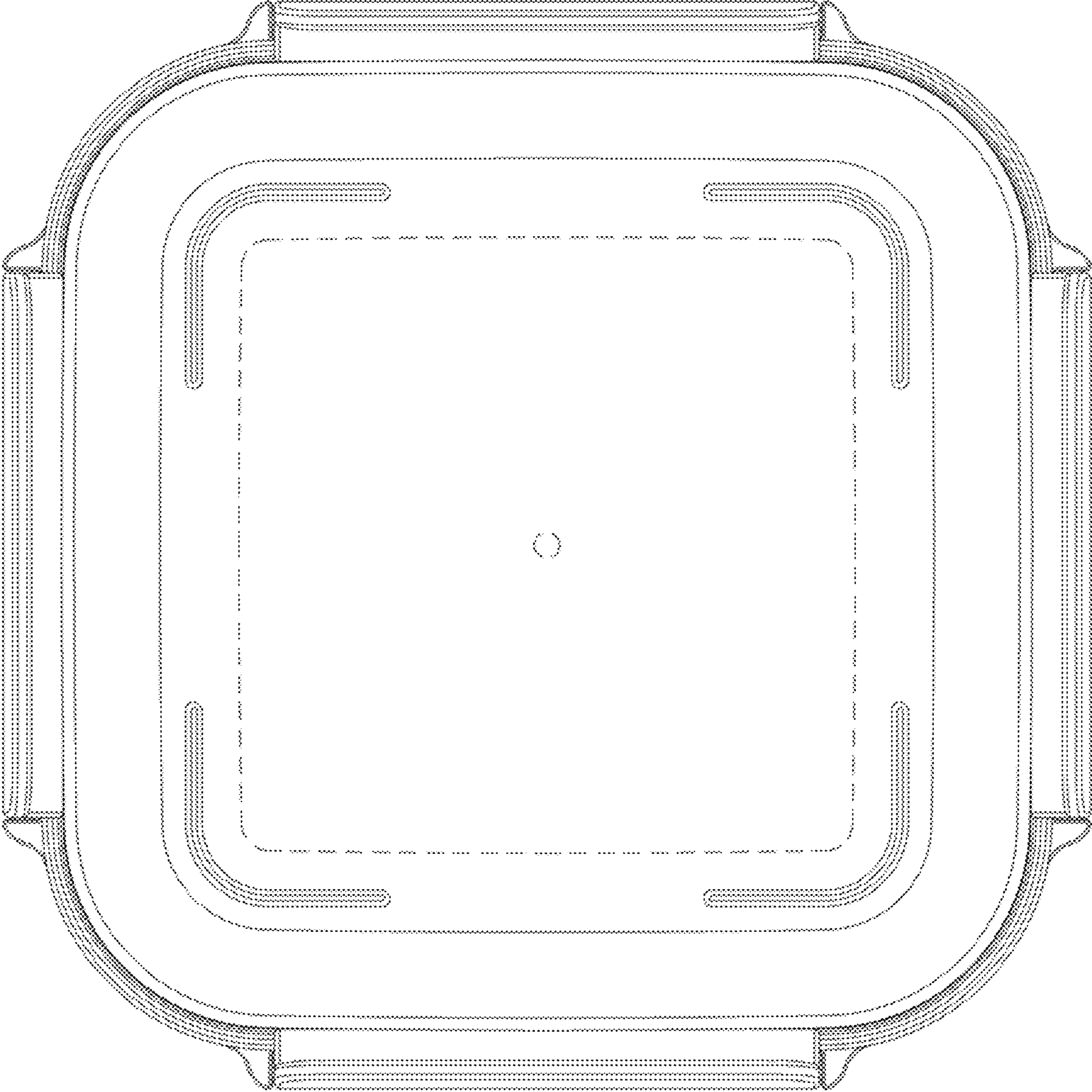


Fig. 7