



US00D956482S

(12) **United States Design Patent**
Jones

(10) **Patent No.: US D956,482 S**
(45) **Date of Patent: ** Jul. 5, 2022**

(54) **CAKE HOLDER**

(71) Applicant: **Blanche B. Jones**, Henrico, VA (US)

(72) Inventor: **Blanche B. Jones**, Henrico, VA (US)

(**) Term: **15 Years**

(21) Appl. No.: **29/744,094**

(22) Filed: **Jul. 27, 2020**

(51) **LOC (13) Cl.** **07-07**

(52) **U.S. Cl.**
USPC **D7/610**

(58) **Field of Classification Search**
USPC D7/552.2, 596, 598, 602, 610, 612,
D7/629-630, 701, 707; D9/424-425,
D9/428-429; D26/10; D11/184;
D6/534, 677.1
CPC A47G 19/26; A47G 19/265; A47G
2400/061; A47G 2023/0691
See application file for complete search history.

(56) **References Cited**

U.S. PATENT DOCUMENTS

- 1,125,855 A * 1/1915 Lippisch A47G 19/26
312/284
- D47,575 S * 7/1915 Bamberger D6/677.1
- 1,707,539 A * 4/1929 Propp G09F 13/00
108/23
- 2,780,081 A * 2/1957 Alexander A47J 31/44
141/341
- D181,296 S * 10/1957 Kezeli D6/677.1
- 2,960,770 A * 11/1960 Valenta F21V 35/00
33/1 F
- 3,236,389 A * 2/1966 Murdock A21B 3/00
211/85.4
- D204,198 S * 3/1966 Lippisch D7/701
- D214,848 S * 8/1969 Avedon D7/707
- 3,736,214 A * 5/1973 Mapes A47G 19/26
428/7
- 3,814,032 A * 6/1974 McMains A47F 7/0071
108/101

(Continued)

FOREIGN PATENT DOCUMENTS

CN 303702770 * 6/2016

OTHER PUBLICATIONS

Bamboo Lazy Susan Turntable, Lawei, amazon.com, published by Lawei, first available Jun. 20, 2020 © 1996-2021 Amazon.com, Inc., online, site visited Jul. 28, 2021. Available at URL: <https://www.amazon.com/Lawei-Tier-Bamboo-Susan-Turantable/dp/B08BJY9WPP> (Year: 2020).*

(Continued)

Primary Examiner — Sandra Snapp

Assistant Examiner — Altaira J Swangin

(74) *Attorney, Agent, or Firm* — Foley & Lardner LLP

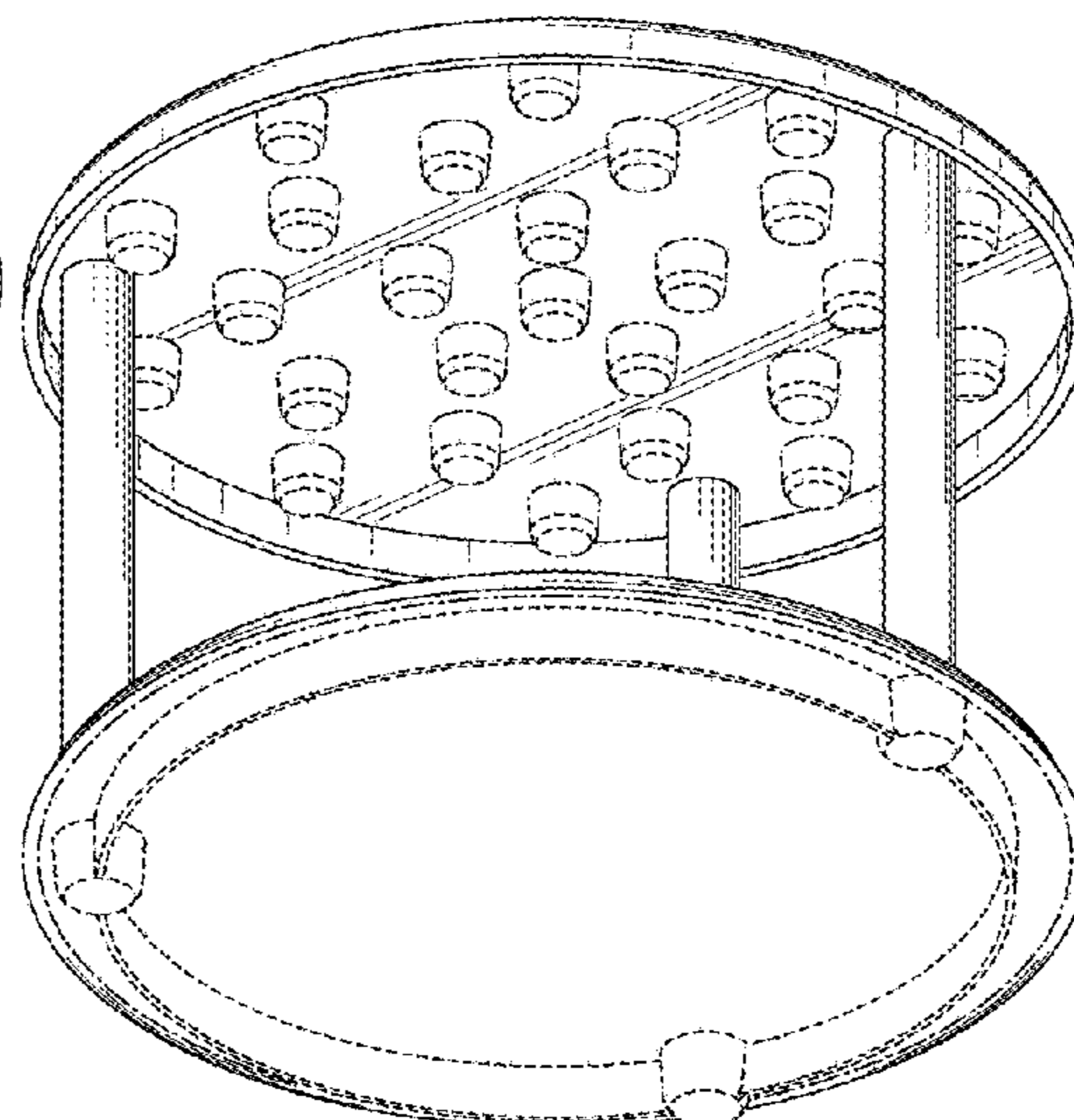
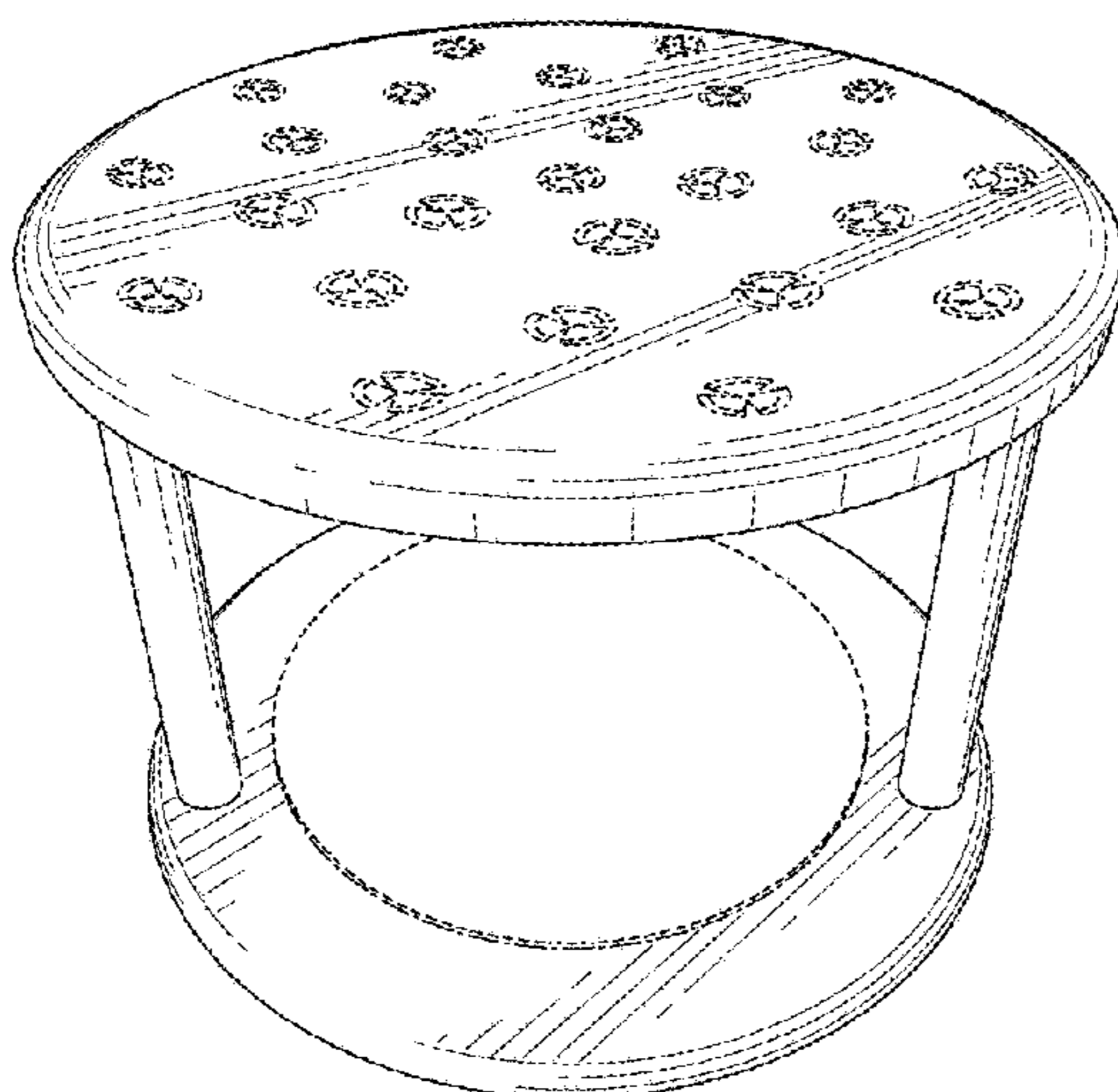
(57) **CLAIM**

I claim the ornamental design for a cake holder, as shown and described.

DESCRIPTION

FIG. 1 is a front perspective view of a cake holder; FIG. 2 is a bottom perspective view of the cake holder of FIG. 1; FIG. 3 is rear view of the cake holder of FIG. 1; FIG. 4 is a front view of the cake holder of FIG. 1; FIG. 5 is a top view of the cake holder of FIG. 1; FIG. 6 is a bottom view of the cake holder of FIG. 1; FIG. 7 is a left side view of the cake holder of FIG. 1; and, FIG. 8 is a right side view of the cake holder of FIG. 1. The broken lines formed by dashes of equal lengths in the drawings represent portions of the cake holder that form no part of the claimed design. The broken lines formed by dashes of unequal lengths represent boundaries of the claimed design and form no part thereof.

1 Claim, 8 Drawing Sheets



(56)

References Cited

U.S. PATENT DOCUMENTS

3,912,249 A * 10/1975 Vaca A47G 19/30
269/54.5
4,032,097 A * 6/1977 Dwyer A47J 36/16
248/146
D247,557 S 3/1978 Hemmy
D249,856 S 10/1978 Levell
D254,428 S * 3/1980 Lasowski D11/157
D256,871 S 9/1980 Snyder
D259,230 S 5/1981 Snyder
D271,655 S * 12/1983 Numbers D7/707
D285,159 S 8/1986 Wexler
4,721,455 A * 1/1988 Barfus F21V 35/00
206/542
D298,859 S 12/1988 Crisci
D301,422 S * 6/1989 Schmidt D19/105
4,884,966 A 12/1989 Wexler
4,938,688 A 7/1990 Wexler
D318,199 S 7/1991 Brooks et al.
5,096,274 A 3/1992 Fuschetto et al.
D333,410 S 2/1993 Panzarello
D337,026 S 7/1993 Higgins
D357,160 S * 4/1995 Fritze D6/677.3
D364,929 S * 12/1995 Bigler D24/230
D373,708 S * 9/1996 Hamilton D7/501
5,641,080 A * 6/1997 Humphrey A47B 49/004
211/163
D403,441 S 12/1998 Lane
D413,046 S * 8/1999 Fritze D7/610
6,170,961 B1 * 1/2001 Knoch A47G 19/00
108/23
D446,083 S 8/2001 Marsh et al.
6,374,755 B1 * 4/2002 Haase A21C 15/00
108/101
6,688,239 B1 * 2/2004 Pettini A47B 7/02
108/50.11
D490,657 S * 6/2004 McDonald D7/610
D549,985 S * 9/2007 Carroll D6/405
7,287,870 B1 * 10/2007 Knoch G09F 13/04
362/806
D558,526 S * 1/2008 Molina D7/550.1
D627,191 S * 11/2010 Fain D7/368
D637,842 S 5/2011 Kraemer
D639,093 S 6/2011 Kraemer
D639,094 S 6/2011 Kraemer
D639,095 S 6/2011 Kraemer
D642,405 S * 8/2011 Frohne D6/677.1
D648,165 S 11/2011 Michnuk
8,372,634 B2 2/2013 Lin et al.
8,490,553 B1 * 7/2013 English A47G 19/00
108/101

D710,157 S * 8/2014 Goodman D7/610
D712,705 S * 9/2014 Fitzpatrick D7/610
D716,593 S * 11/2014 Rubio D6/686
D743,708 S * 11/2015 Cohen D6/352
D745,785 S * 12/2015 Cohen D6/352
D749,863 S * 2/2016 Cohen D6/349
D759,408 S * 6/2016 Denby D6/677
D786,593 S 5/2017 Almaghlouth
D803,007 S 11/2017 Liao et al.
D815,865 S * 4/2018 Gauggel D6/677
D853,788 S 7/2019 Zeng
D854,250 S 7/2019 Huang
D864,045 S * 10/2019 Weiss D12/130
D866,272 S * 11/2019 Donnelly D7/610
D868,511 S * 12/2019 McBride D6/677.1
D872,333 S * 1/2020 Yu D26/51
D883,720 S * 5/2020 Johnson D6/677.1
D889,210 S 7/2020 Jones
D897,120 S * 9/2020 Maschinski D6/322
D911,781 S * 3/2021 Song D7/600.2
D916,186 S * 4/2021 Spiring D19/64
D918,677 S * 5/2021 Wang D7/701
D920,020 S * 5/2021 Adams D6/677.1
D925,983 S * 7/2021 Han D7/501
D938,790 S * 12/2021 Tu D7/701
2003/0136277 A1 7/2003 Okros
2005/0056162 A1 3/2005 Milligan et al.
2006/0078838 A1 * 4/2006 McLemore A21C 15/00
431/253
2006/0096170 A1 * 5/2006 Wright A41G 1/00
47/41.01
2009/0053663 A1 2/2009 Okros
2009/0057249 A1 * 3/2009 Donnellan A47B 49/00
211/77
2009/0181335 A1 7/2009 Tropeano
2013/0248402 A1 * 9/2013 Donnelly A47G 19/26
206/457
2014/0091087 A1 * 4/2014 Vollano B65D 25/2802
220/4.27
2014/0272743 A1 9/2014 Hill
2019/0082870 A1 * 3/2019 Kaupp A47G 19/26
2020/0060454 A1 * 2/2020 Mazzola A47G 19/26

OTHER PUBLICATIONS

Rotating Spice Rack, Juvale, amazon.com, published by Juvale, first available Dec. 31, 2015 © 1996-2021 Amazon.com, Inc., online, site visited Jul. 28, 2021. Available at URL: https://www.amazon.com/Turntable-Kitchen-Organizer-Tableware-Service/dp/B01A17MQ8A/ref=sr_1_6?dchild=1&keywords...=Lazy+Susan+Spice+Rack+organizador&qid=1627485142&sr=8-6 (Year: 2015).*

* cited by examiner

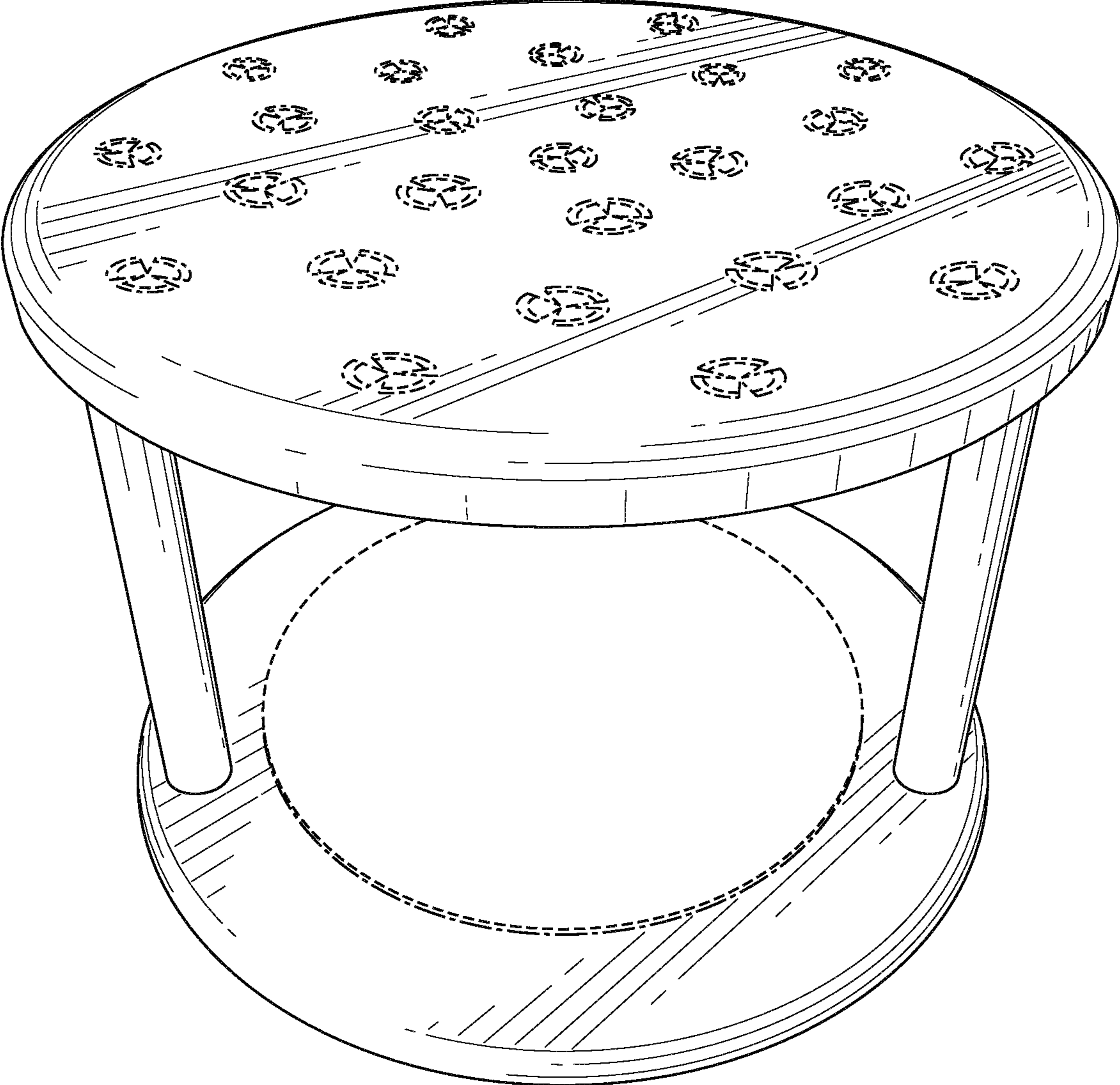


FIG. 1

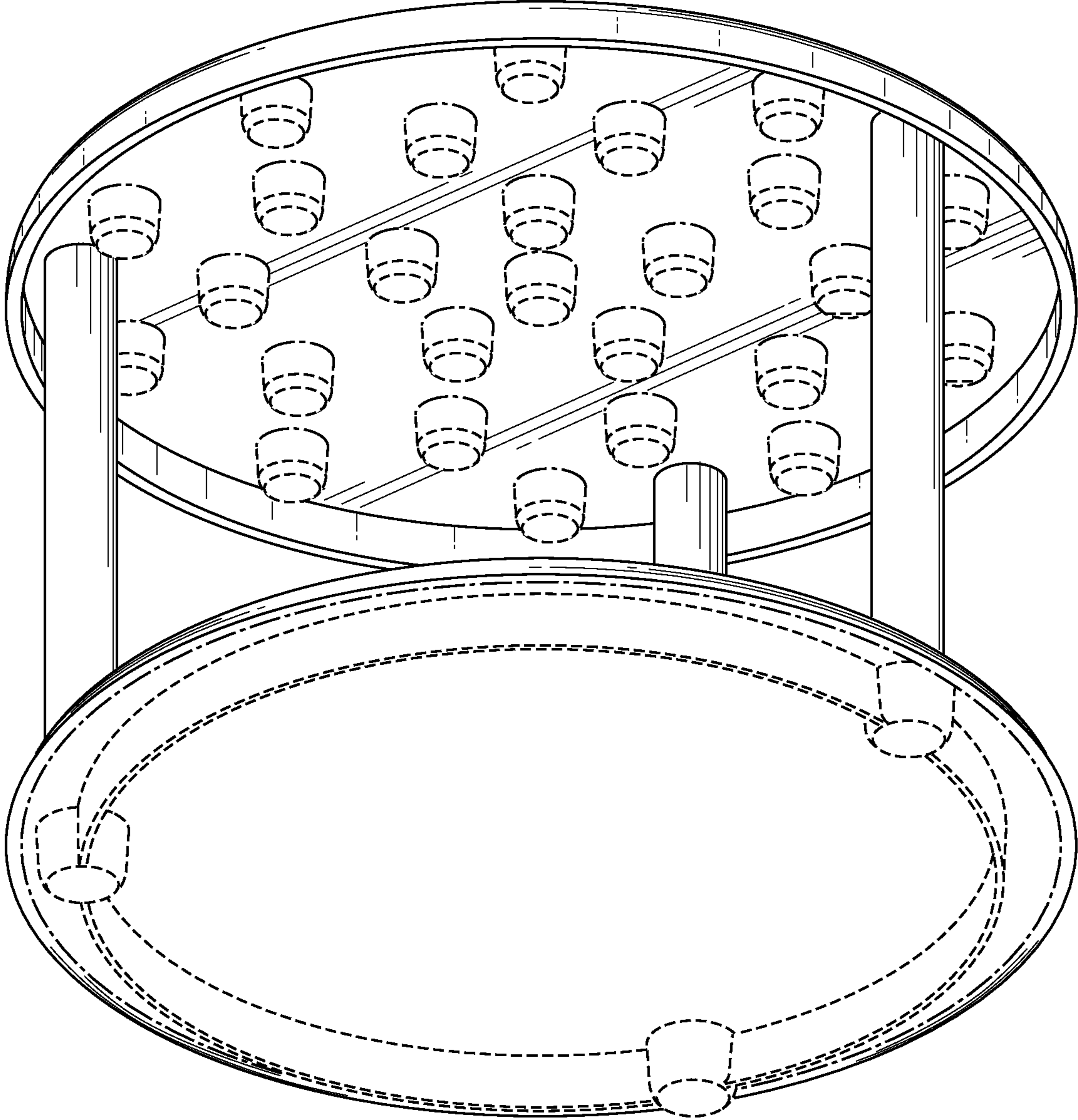


FIG. 2

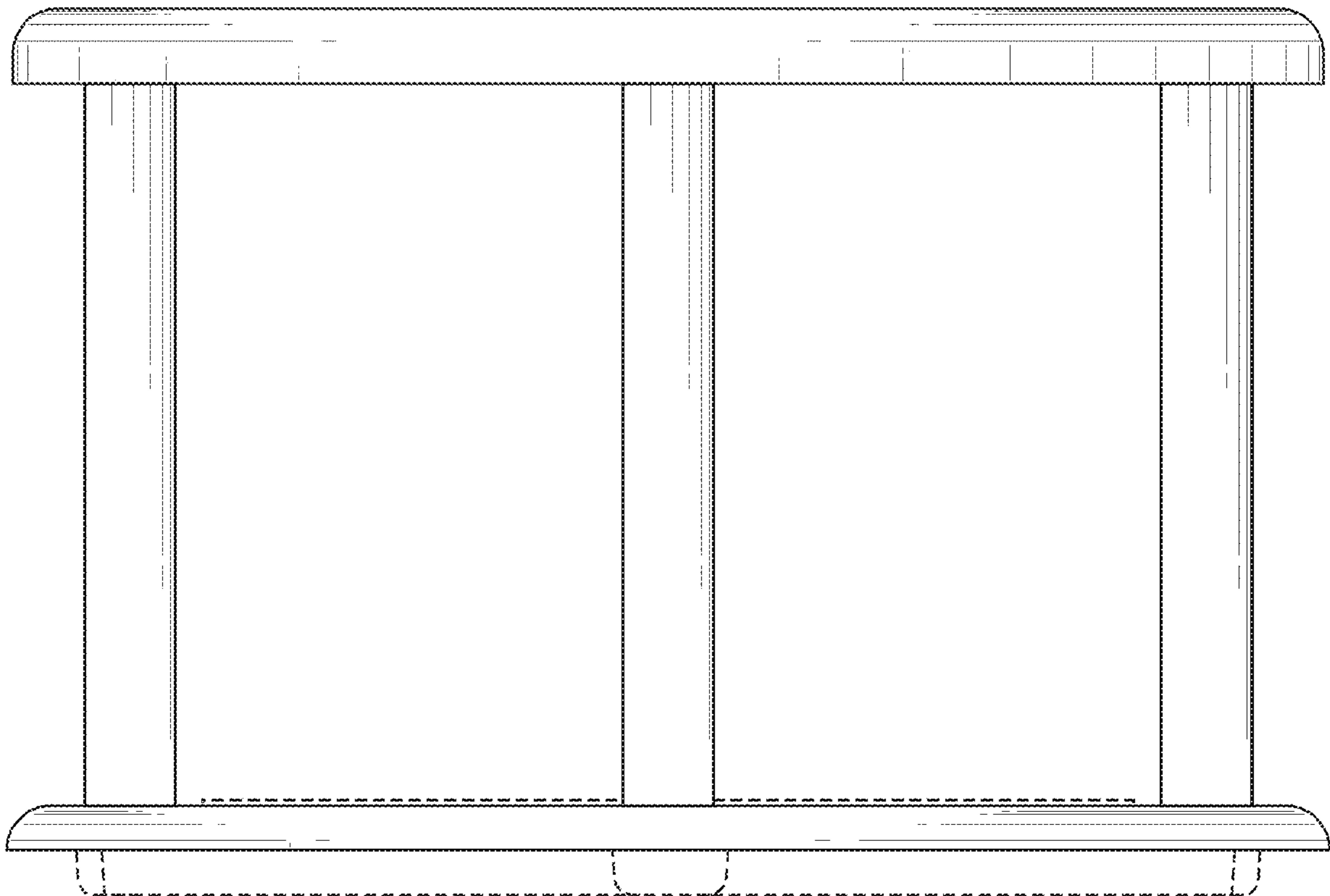


FIG. 3

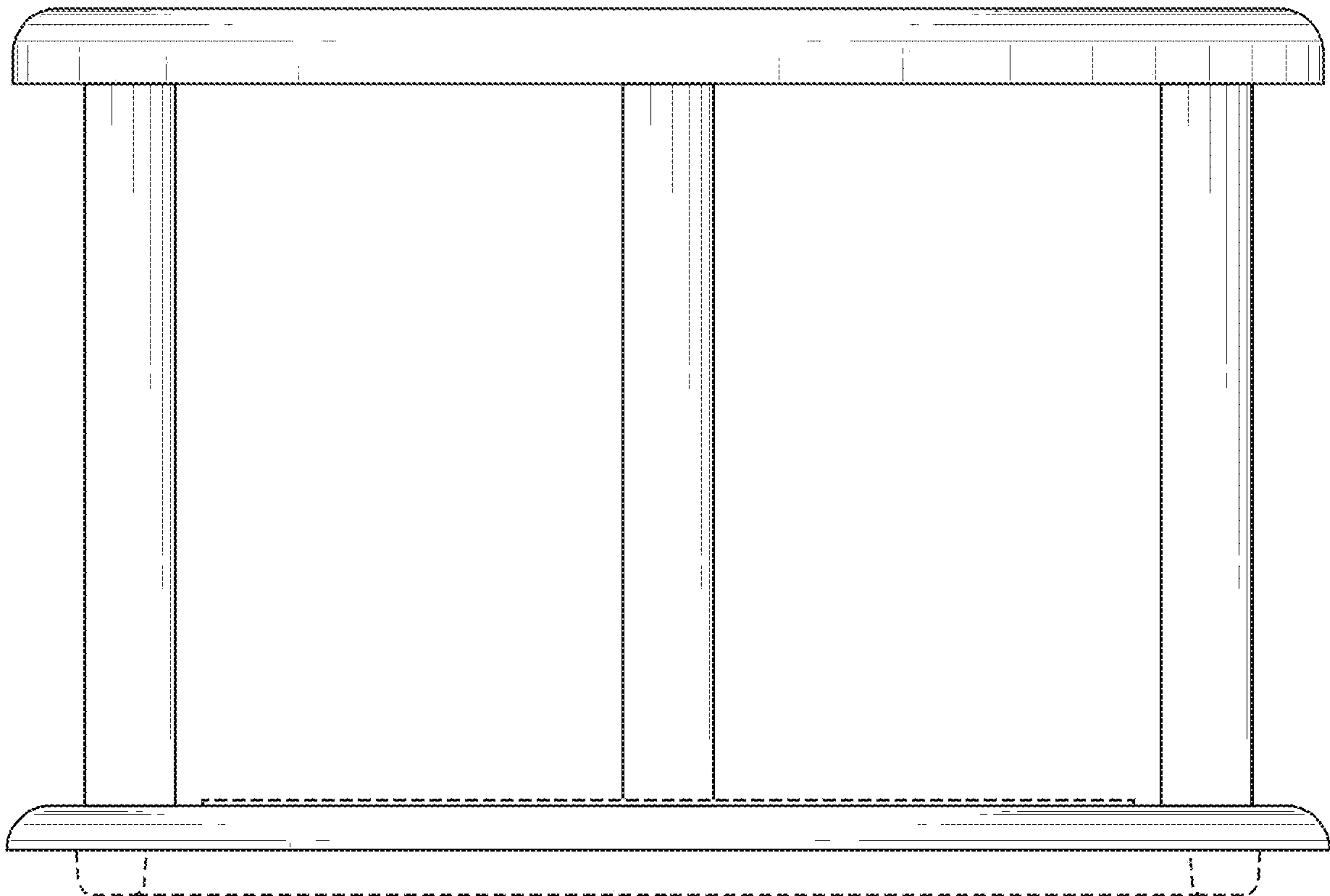


FIG. 4

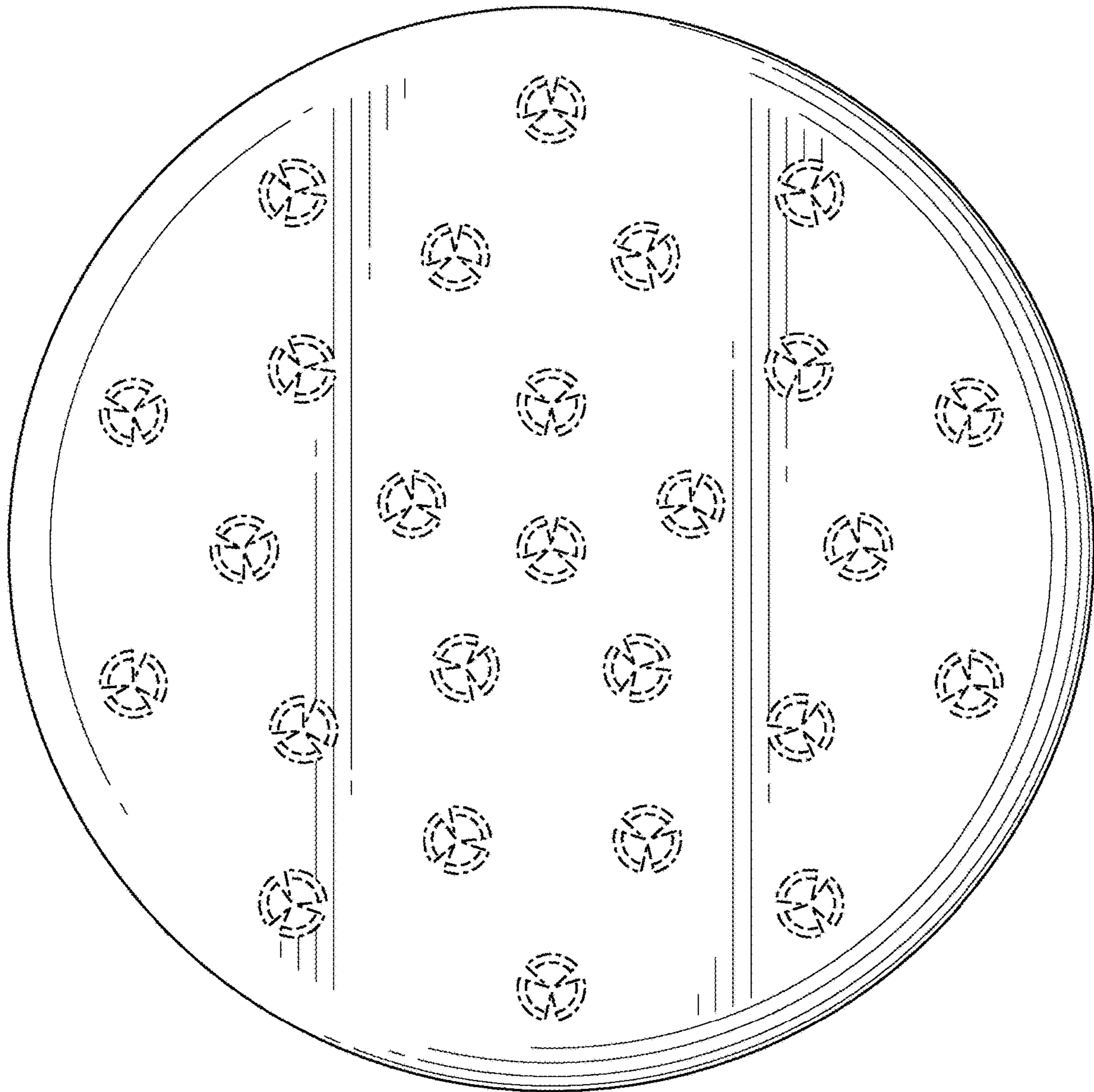


FIG. 5

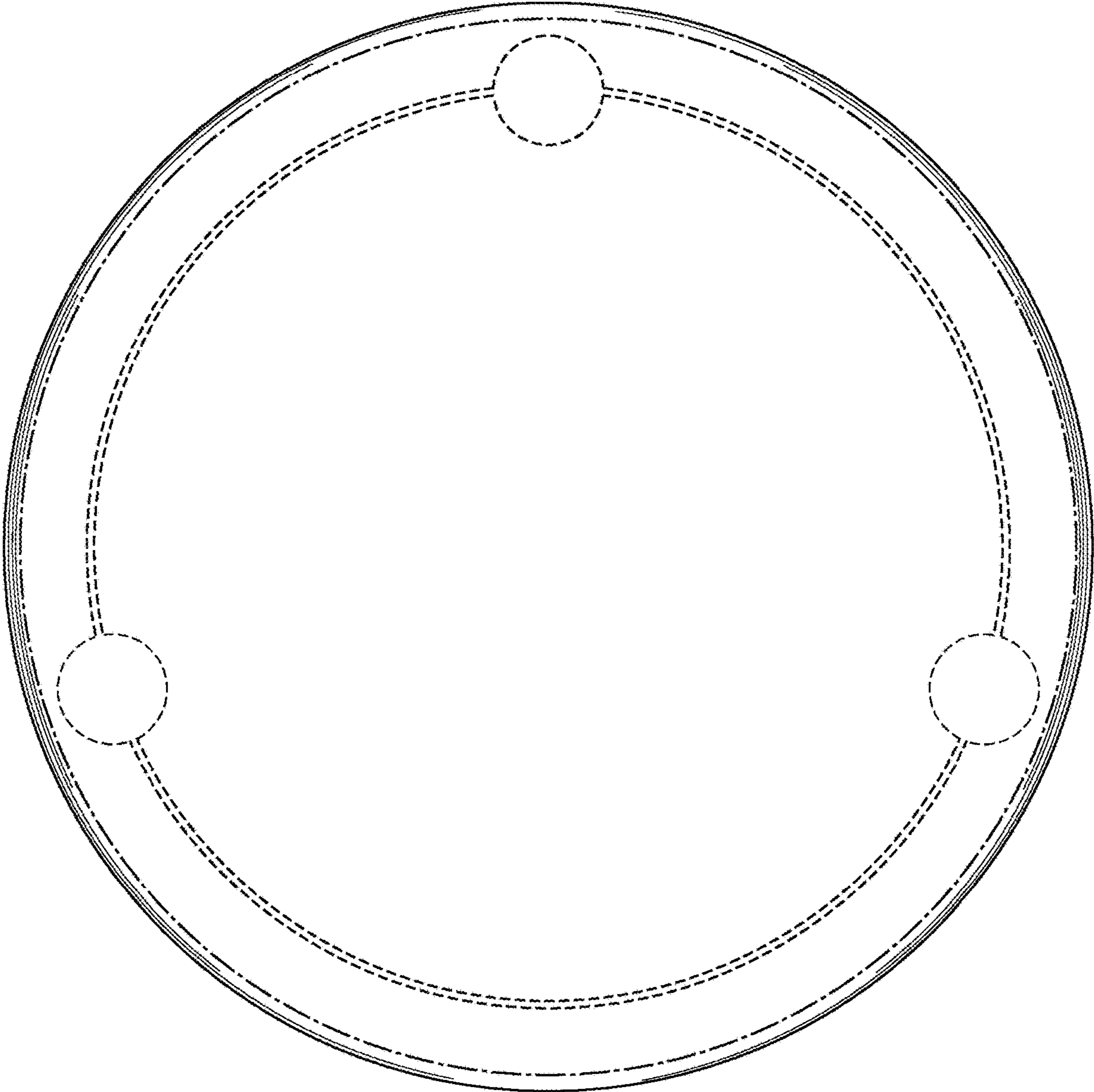


FIG. 6

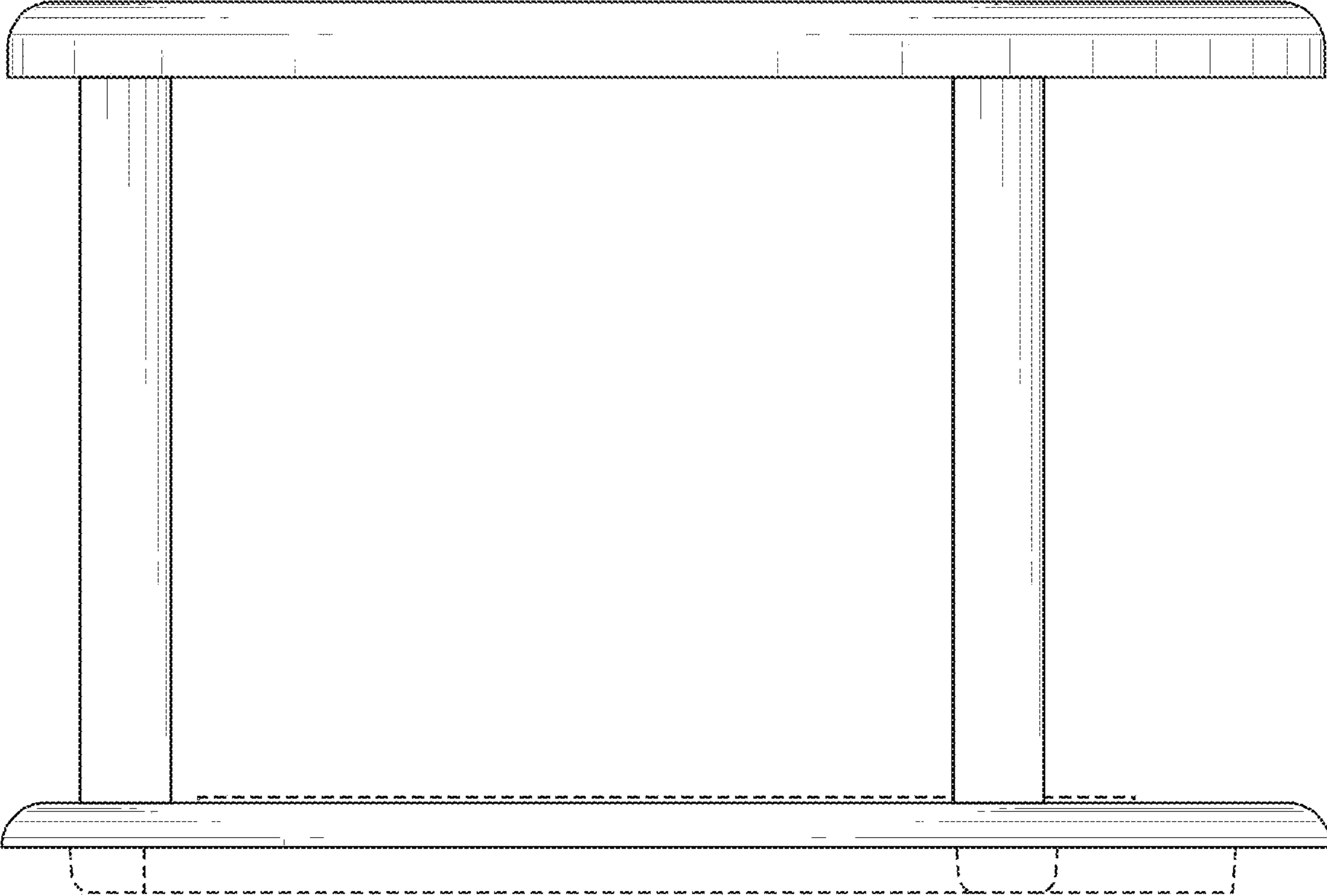


FIG. 7

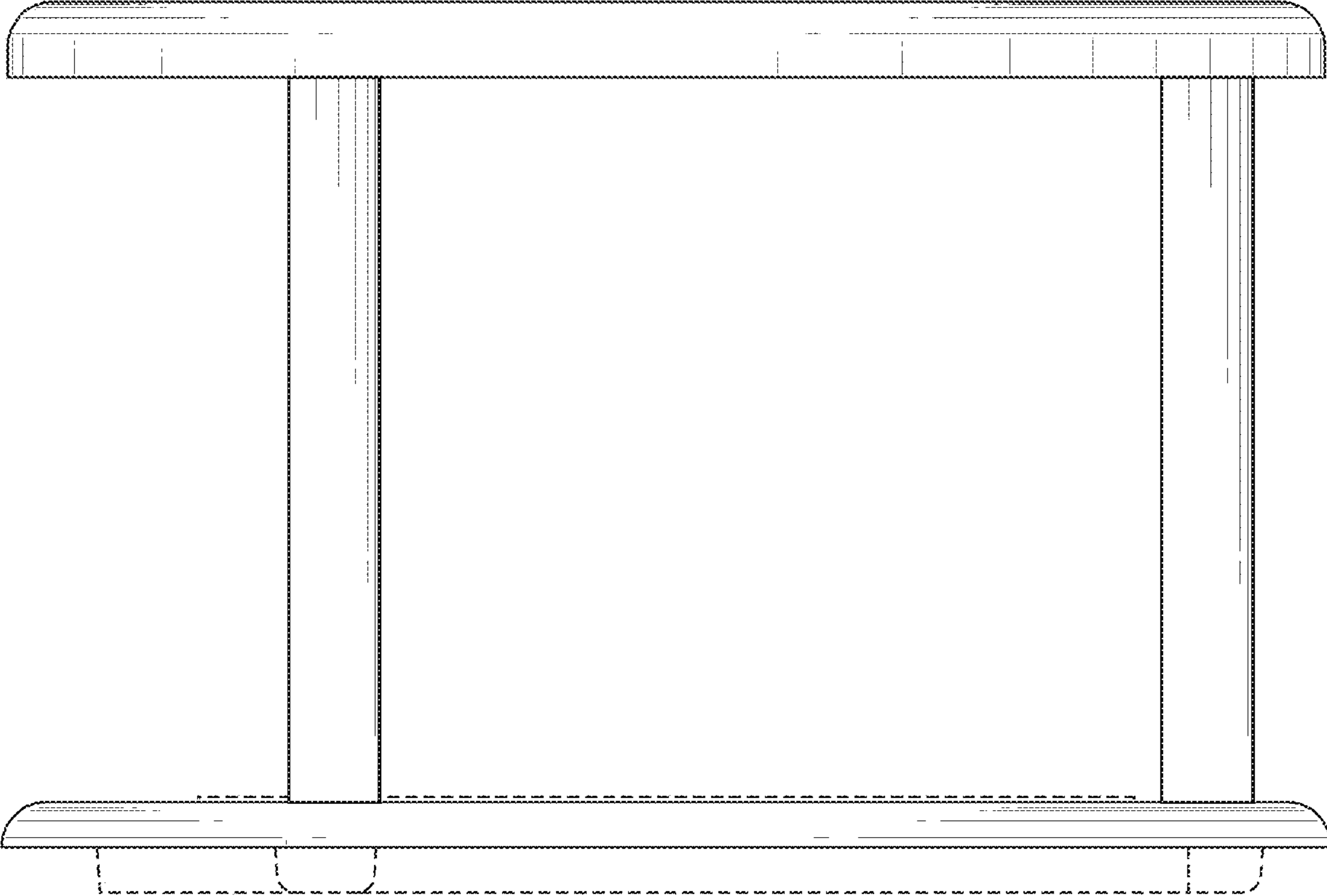


FIG. 8