



US00D956480S

(12) **United States Design Patent** (10) **Patent No.:** **US D956,480 S**  
**Klein et al.** (45) **Date of Patent:** **\*\* Jul. 5, 2022**

(54) **TWO TIER SPICE RACK WITH DUAL SIDE RAILS**

(71) Applicant: **LYNK, INC.**, Lenexa, KS (US)

(72) Inventors: **Richard B. Klein**, Overland Park, KS (US); **Mark A. Etter**, Blue Springs, MO (US)

(73) Assignee: **Lynk, Inc.**, Lenexa, KS (US)

(\*\*) Term: **15 Years**

(21) Appl. No.: **29/721,401**

(22) Filed: **Jan. 21, 2020**

(51) **LOC (13) Cl.** ..... **07-09**

(52) **U.S. Cl.**  
USPC ..... **D7/600.4**

(58) **Field of Classification Search**  
USPC ..... D7/590, 600.1, 600.2, 600.3, 600.4, 387, D7/401.1, 213; D6/512, 524, 525, 552, D6/553, 556, 558, 566, 567, 569, 570, D6/574; D9/737, 741, 756, 759, 760, D9/761

CPC ..... A47J 47/16; A47B 47/00; A47B 47/0091; A47B 81/00; A47B 81/007; A47F 7/00; A47F 5/10; A47F 5/13

See application file for complete search history.

(56) **References Cited**

**U.S. PATENT DOCUMENTS**

4,759,341	A *	7/1988	McFarland	.....	F24C 15/168 126/339
D429,435	S	8/2000	Walters-Dowding et al.		
D437,165	S	2/2001	Goodman et al.		
D452,533	S	12/2001	Goodman et al.		
D547,094	S	7/2007	Klein et al.		
D556,475	S	12/2007	Butler et al.		
D556,476	S	12/2007	Butler et al.		
D568,077	S	5/2008	Klein et al.		
D568,635	S	5/2008	Klein et al.		

(Continued)

**OTHER PUBLICATIONS**

Lynk Professional Spice Rack | posted at Amazon.com, posted on Feb. 5, 2019, © 1996-2022 Amazon.com, [online], [site visited Mar. 17, 2022]. Available from Internet, <URL: [https://www.amazon.com/Lynk-Professional-430422DS-Cabinet-Organizer/dp/B07NDZWMXF/ref=psdc\\_510156\\_t2\\_B089KRBND9?th=1](https://www.amazon.com/Lynk-Professional-430422DS-Cabinet-Organizer/dp/B07NDZWMXF/ref=psdc_510156_t2_B089KRBND9?th=1)> (Year: 2019).\*

(Continued)

*Primary Examiner* — Andrew Kerr

(74) *Attorney, Agent, or Firm* — Stinson LLP

(57) **CLAIM**

The ornamental design for two tier spice rack with dual side rails, as shown and described.

**DESCRIPTION**

FIG. 1 is a front perspective view of a two tier spice rack with dual side rails showing our new design, in a stored position;

FIG. 2 is a right side elevation view thereof;

FIG. 3 is a left side elevation view thereof;

FIG. 4 is a rear elevation view thereof;

FIG. 5 is a front elevation view thereof;

FIG. 6 is a top plan view thereof;

FIG. 7 is a bottom plan view thereof;

FIG. 8 is a front perspective view of a two tier spice rack with dual side rails showing our new design, in an extended position;

FIG. 9 is a right side elevation view thereof;

FIG. 10 is a left side elevation view thereof;

FIG. 11 is a rear elevation view thereof;

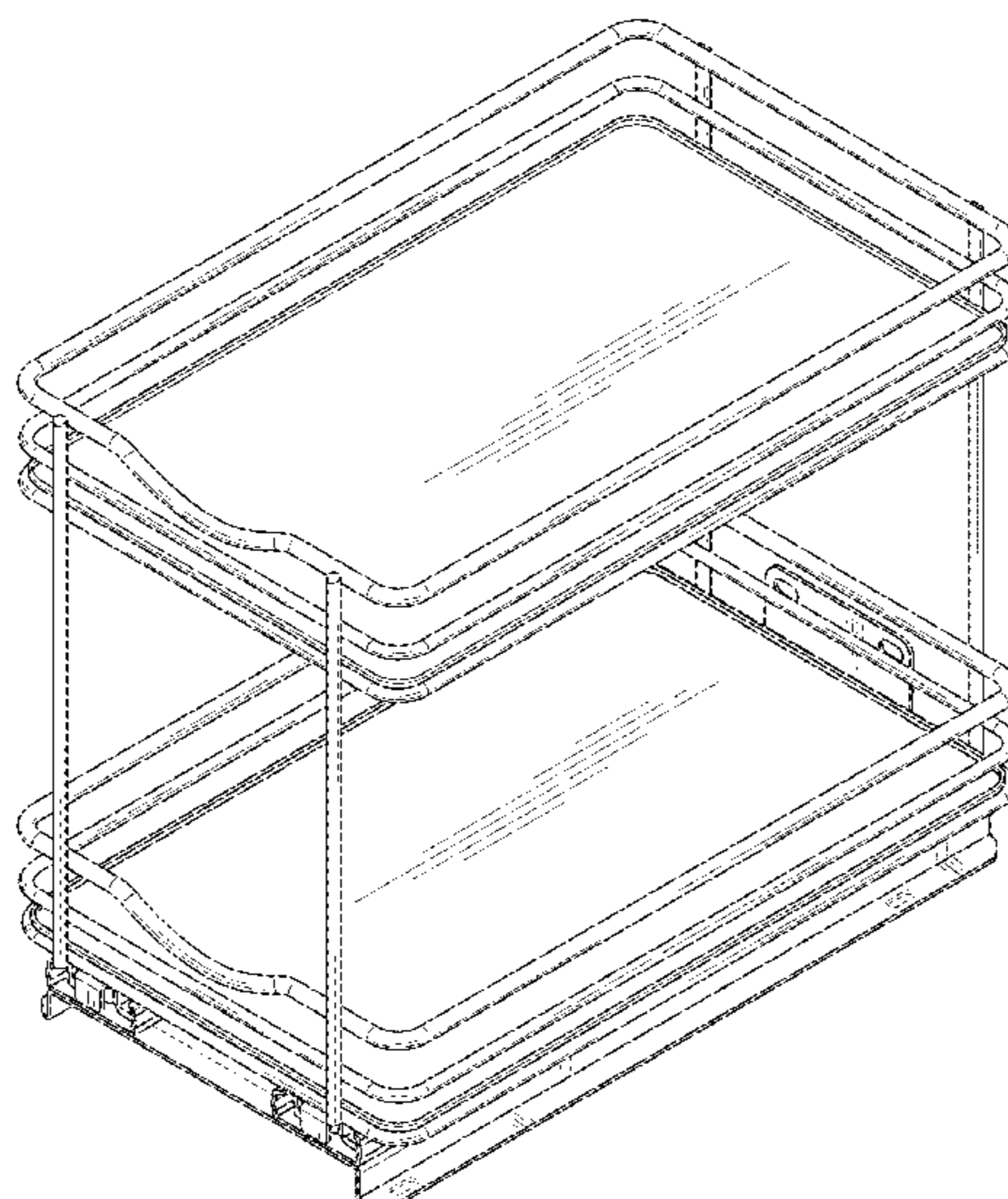
FIG. 12 is a front elevation view thereof;

FIG. 13 is a top plan view thereof; and,

FIG. 14 is a bottom plan view thereof.

The broken lines in the drawings depict portions of the two tier spice rack with dual side rails that form no part of the claimed design.

**1 Claim, 14 Drawing Sheets**



(56)

References Cited

U.S. PATENT DOCUMENTS

D568,657 S	5/2008	Snider	
D575,087 S	8/2008	Ghiorghie	
D584,056 S	1/2009	Ghiorghie	
D588,839 S	3/2009	Klein et al.	
D589,729 S	4/2009	Klein et al.	
D589,730 S	4/2009	Klein et al.	
D590,195 S	4/2009	Klein et al.	
7,810,890 B2	10/2010	Klein et al.	
D627,969 S	11/2010	Klein et al.	
D628,387 S	12/2010	Klein et al.	
D628,388 S	12/2010	Klein et al.	
D650,202 S	12/2011	Klein et al.	
D650,203 S	12/2011	Klein et al.	
D675,849 S	2/2013	Tawil	
D699,987 S	2/2014	Angvall	
D701,432 S *	3/2014	Tsai .....	D7/600.4
D739,681 S	9/2015	Bee	
D747,629 S	1/2016	Goodman et al.	
D752,906 S	4/2016	Gunderson et al.	
D753,939 S	4/2016	Tsai	
D756,177 S	5/2016	Tsai	
D759,997 S *	6/2016	Ruiz .....	D6/675.1
D769,073 S *	10/2016	Lipper McCauley .....	D7/600.4
D769,074 S	10/2016	Tsai	
D772,016 S	11/2016	Tsai	
D781,621 S	3/2017	Nava	
D785,979 S	5/2017	Snider	
D862,949 S *	10/2019	Ghiorghie .....	D6/675.2
D875,476 S *	2/2020	Tuang .....	D7/600.4
D876,169 S	2/2020	Klein et al.	
D911,084 S *	2/2021	Sabounjian .....	D6/675.2
D923,421 S *	6/2021	Cui .....	D7/600.4
2006/0283817 A1	12/2006	Yang et al.	

OTHER PUBLICATIONS

Photograph on Pinterest, photograph of two-tier, round lazy susan downloaded from the internet on Feb. 6, 2018 at <https://www.pinterest.com/pin/165014773825961621/> (1 pg).

Website Advertisement, Amazon.com, “HiCollie Makeup/Cosmetic organizer Equipped 360 Rotating/Revolving . . .”, downloaded from the internet on Feb. 6, 2018 at [https://www.amazon.com/HiCollie-Cosmetic-Organizer-Equipped-Revolving/dp/B01ANESL9Y/ref=sr\\_1\\_37?ie=UTF8&qid=1494277185&sr=8-37&keywords=kitchen+carousel+organizer](https://www.amazon.com/HiCollie-Cosmetic-Organizer-Equipped-Revolving/dp/B01ANESL9Y/ref=sr_1_37?ie=UTF8&qid=1494277185&sr=8-37&keywords=kitchen+carousel+organizer) (7 pgs).

Website Advertisement, Amazon.com, “YouCopia Crazy Susan Cabinet Turntable Organizer with Backstop”, downloaded from the internet on Feb. 6, 2018 [https://www.amazon.com/YouCopia-Crazy-11-Inch-Turntable-Backstop/dp/B01G7C16ZW/ref=sr\\_1\\_11?ie=UTF8&qid=1494276924&sr=8-11&keywords=kitchen+carousel](https://www.amazon.com/YouCopia-Crazy-11-Inch-Turntable-Backstop/dp/B01G7C16ZW/ref=sr_1_11?ie=UTF8&qid=1494276924&sr=8-11&keywords=kitchen+carousel) (9 pgs).

Website Advertisement, Amazon.com, “Romanoff 21” Spintray, Clear, downloaded from the internet on Feb. 6, 2018 at [https://www.amazon.com/s/ref=nb\\_sb\\_ss\\_i\\_1\\_21?url=searchalias%3Daps&field-keywords=romanoff+21+spintray&srefix=Romanoff+21%22+Spintray%2Caps%2C172&crd=1KZ59Y6YXTZSW&rh=i%3Aaps%2Ck%3Aromanoff+21+spintray](https://www.amazon.com/s/ref=nb_sb_ss_i_1_21?url=searchalias%3Daps&field-keywords=romanoff+21+spintray&srefix=Romanoff+21%22+Spintray%2Caps%2C172&crd=1KZ59Y6YXTZSW&rh=i%3Aaps%2Ck%3Aromanoff+21+spintray) (3 pgs).

Website Advertisement, Bed Bath & Beyond, “Copco Non-Skid Cabinet Lazy Susan”, downloaded from the internet on Feb. 6, 2018 at <https://www.bedbathandbeyond.com/store/product/copco-non-skid-cabinet-turntables/100703?Keyword=copco+turntable> (2 pgs).

Website Advertisement, Bed Bath & Beyond, “Stainless Steel Two-Tier Turntable”, downloaded from the internet on Feb. 6, 2018 at <https://www.bedbathandbeyond.com/store/product/stainless-steel-two-tier-turntable/1012981473> (2 pgs).

Website Advertisement, Bed Bath & Beyond, “RSVP Endurance® Single Turntable”, downloaded from the internet on Feb. 6, 2018 at <https://www.bedbathandbeyond.com/store/product/rsvpdurance-reg-single-turntable/1045864070> (2 pgs).

Website Advertisement, Bed Bath & Beyond, “InterDesign® Pantry/Cabinet Linus Lazy Susan Turntable”, downloaded from the inter-

net on Feb. 6, 2018 at <https://www.bedbathandbeyond.com/store/product/interdesign-reg-pantry-cabinet-linus-lazysusan-turntable/3283259> (2 pgs).

Website Advertisement, Bed Bath & Beyond, “16-Inch Lazy Susan”, downloaded from the internet on Feb. 6, 2018 at <https://www.bedbathandbeyond.com/store/product/16-inch-lazysusan/1017815873> (2 pgs).

Website Advertisement, Lee Vally & Veritas, “Pull-Out Corner Carousel”, downloaded from the internet on Feb. 6, 2018 at <http://www.leevalley.com/us/wood/page.aspx?p=72929&cat=3,43722,43723&ap=1> (1 pg).

Photograph, Buller Ltd. Co. UK, photo of wire organizational basket downloaded from the internet on Feb. 6, 2018 at <http://www.bullerltd.co.uk/shopimages/products/normal/2245.jpg> (1 pg).

Website Advertisement, Amazon.com, “Rev-A-Shelf 3-Inch Base Cabinet Filler Pullout Kitchen Wooden Space Rack”, downloaded from the internet on Jun. 26, 2020 at [https://www.amazon.com/Rev-Shelf-Pullout-Fillers-Natural/dp/B01MQUN5E9/ref=sr\\_1\\_1?dchild=1&keywords=rev-a-shelf+3-inch+base+cabinet+filler+pullout&qid=1593182759&sr=8-1](https://www.amazon.com/Rev-Shelf-Pullout-Fillers-Natural/dp/B01MQUN5E9/ref=sr_1_1?dchild=1&keywords=rev-a-shelf+3-inch+base+cabinet+filler+pullout&qid=1593182759&sr=8-1) (12 pgs).

Website Advertisement, Amazon.com, “NEX Spice Rack Organizer for Cabinet, 3 Tier 30-Bottle Spice Drawer Storage Shelf”, downloaded from the internet on Jun. 26, 2020 at [https://www.amazon.com/Organizer-Storage-Kitchen-Cabinet-Counter/dp/B07XPN66FM/ref=sr\\_1\\_1?dchild=1&keywords=nex+spice+rack+organizer+for+cabinet%2C+3+tier+30-bottle+spice+drawer&qid=1593182938&sr=8-1](https://www.amazon.com/Organizer-Storage-Kitchen-Cabinet-Counter/dp/B07XPN66FM/ref=sr_1_1?dchild=1&keywords=nex+spice+rack+organizer+for+cabinet%2C+3+tier+30-bottle+spice+drawer&qid=1593182938&sr=8-1) (9 pgs).

Website Advertisement, Amazon.com, “SBS 2 Tier 4 Drawer Spice, Seasoning and Herb, Sliding Organizer Rack”, downloaded from the internet on Jun. 26, 2020 at [https://www.amazon.com/Seasoning-Sliding-Organizer-Cupboards-Cabinets/dp/B081ZHJTFH/ref=sr\\_1\\_8?dchild=1&keywords=spice+pullout&qid=1593124521&sr=8-8](https://www.amazon.com/Seasoning-Sliding-Organizer-Cupboards-Cabinets/dp/B081ZHJTFH/ref=sr_1_8?dchild=1&keywords=spice+pullout&qid=1593124521&sr=8-8) (5 pgs).

Website Advertisement, Amazon.com, “Simple Trending Stackable 2-Tier Under Sink Cabinet Organizer with Sliding Storage Drawer”, downloaded from the internet on Jun. 26, 2020 at [https://www.amazon.com/Simple-Trending-Stackable-Cabinet-Organizer/dp/B07Y9ZVXTD/ref=sr\\_1\\_1?dchild=1&keywords=simple+trending+stackable+2-tier+under+sink+cabinet+organizer+with+sliding&qid=1593183357&sr=8-1](https://www.amazon.com/Simple-Trending-Stackable-Cabinet-Organizer/dp/B07Y9ZVXTD/ref=sr_1_1?dchild=1&keywords=simple+trending+stackable+2-tier+under+sink+cabinet+organizer+with+sliding&qid=1593183357&sr=8-1) (8 pgs).

Website Advertisement, Amazon.com, “NEX Spice Rack Organizer for Cabinet, 3 Tier 18-Bottle Spice Drawer”, downloaded from the internet on Jun. 26, 2020 at [https://www.amazon.com/NEX-Organizer-Cabinet-18-Bottle-Countertop/dp/B0827LS13W/ref=sr\\_1\\_1?dchild=1&keywords=NEX%2BSpice%2BRack%2BOrganizer%2Bfor%2BCabinet%2C%2B3%2BTier%2B18-Bottle%2BSpice%2BDrawer&qid=1593183542&sr=8-1&th=1](https://www.amazon.com/NEX-Organizer-Cabinet-18-Bottle-Countertop/dp/B0827LS13W/ref=sr_1_1?dchild=1&keywords=NEX%2BSpice%2BRack%2BOrganizer%2Bfor%2BCabinet%2C%2B3%2BTier%2B18-Bottle%2BSpice%2BDrawer&qid=1593183542&sr=8-1&th=1) (12 pgs).

Website Advertisement, Amazon.com, “Mecete Slide Out Spice Rack Cabinet Organizer Professional Roll Out Organizer”, downloaded from the internet on Jun. 26, 2020 at [https://www.amazon.com/Mecete-Organizer-Professional-Organizers-Inches-One/dp/B07VV6G5GH/ref=sr\\_1\\_1?dchild=1&keywords=Mecete+Slide+O+ut+Spice+Rack+Cabinet+Organizer+Professional+Roll+Out&qid=1593183723&sr=8-1](https://www.amazon.com/Mecete-Organizer-Professional-Organizers-Inches-One/dp/B07VV6G5GH/ref=sr_1_1?dchild=1&keywords=Mecete+Slide+O+ut+Spice+Rack+Cabinet+Organizer+Professional+Roll+Out&qid=1593183723&sr=8-1) (7 pgs).

Website Advertisement, Amazon.com, “Simple Houseware 2 Tier Sliding Cabinet Basket Organizer Drawer”, downloaded from the internet on Jun. 26, 2020 at [https://www.amazon.com/Simple-Houseware-Sliding-Cabinet-Organizer/dp/B01N6UE7OF/ref=sr\\_1\\_1?crd=73R9ETUJY302&dchild=1&keywords=simple%2Bhouseware%2B2%2Btier%2Bsliding%2Bcabinet%2Bbasket%2Borganizer%2Bdrawer&qid=1593184196&srefix=simple%2Bhouseware%2B2%2Btier%2Bsliding%2Bcabinet%2Bbasket%2B%2Caps%2C208&sr=8-1&th=1](https://www.amazon.com/Simple-Houseware-Sliding-Cabinet-Organizer/dp/B01N6UE7OF/ref=sr_1_1?crd=73R9ETUJY302&dchild=1&keywords=simple%2Bhouseware%2B2%2Btier%2Bsliding%2Bcabinet%2Bbasket%2Borganizer%2Bdrawer&qid=1593184196&srefix=simple%2Bhouseware%2B2%2Btier%2Bsliding%2Bcabinet%2Bbasket%2B%2Caps%2C208&sr=8-1&th=1) (10 pgs).

Website Advertisement, Amazon.com, “Simple Houseware Stackable Under Sink Cabinet Sliding Basket Organizer Drawer”, downloaded from the internet on Jun. 26, 2020 at [https://www.amazon.com/SimpleHouseware-Stackable-Cabinet-Sliding-Organizer/dp/B07Q3YTT5C/ref=sr\\_1\\_1?crd=3SX8GSIO1148W&dchild=1&keywords=simple%2Bhouseware%2Bstackable%2Bunder%2Bsink%2Bcabinet%2Bsliding%2Bbasket&qid=1593184321&srefix=simple%2Bhouseware%2Bstackable%2Bunder%2Bs%2Caps%2C172&sr=8-1&th=1](https://www.amazon.com/SimpleHouseware-Stackable-Cabinet-Sliding-Organizer/dp/B07Q3YTT5C/ref=sr_1_1?crd=3SX8GSIO1148W&dchild=1&keywords=simple%2Bhouseware%2Bstackable%2Bunder%2Bsink%2Bcabinet%2Bsliding%2Bbasket&qid=1593184321&srefix=simple%2Bhouseware%2Bstackable%2Bunder%2Bs%2Caps%2C172&sr=8-1&th=1) (7 pgs).

(56)

**References Cited**

OTHER PUBLICATIONS

Website Advertisement, Amazon.com, “Vertical Spice—22×2×14 DC—Spice Rack—Narrow Space w/2 Drawers”, downloaded from the internet on Jun. 26, 2020 at [https://www.amazon.com/Vertical-Spice-22x2x14-Drawers-Capacity/dp/B087L6ZHVD/ref=sr\\_1\\_1?dchild=1&keywords=vertical+spice++22x2x14+DC+spice+rack++narrow+space&qid=1593184521&sr=8-1](https://www.amazon.com/Vertical-Spice-22x2x14-Drawers-Capacity/dp/B087L6ZHVD/ref=sr_1_1?dchild=1&keywords=vertical+spice++22x2x14+DC+spice+rack++narrow+space&qid=1593184521&sr=8-1) (6 pgs).

Website Advertisement, Amazon.com, “Vertical Spice—5×1×11 DC—Storage Organizer for Cabinets—Heavy Duty”, downloaded from the internet on Jun. 26, 2020 at [https://www.amazon.com/Vertical-Spice-Organizer-Cabinets-Containers/dp/B00JTHPTT2/ref=sr\\_1\\_1?dchild=1&keywords=vertical+spice++5x1x11+dc++storage+organizer+for+cabinets&qid=1593184654&sr=8-1](https://www.amazon.com/Vertical-Spice-Organizer-Cabinets-Containers/dp/B00JTHPTT2/ref=sr_1_1?dchild=1&keywords=vertical+spice++5x1x11+dc++storage+organizer+for+cabinets&qid=1593184654&sr=8-1) (6 pgs).

Website Advertisement, Vertical Spice, “5×2×22 Storage Solution Drawer”, downloaded from the internet on Jun. 26, 2020 at <https://www.verticalspice.com/products.php?product=5x2x22-Storage-Solution-Drawer-%252d-Cream> (7 pgs).

Website Advertisement, Amazon.com, “Pull Out Sliding Shelf Spice Racks”, downloaded from the internet on Jun. 26, 2020 at [https://www.amazon.com/Upperslide-Cabinet-Caddies-Expansion-SHIPPING/dp/B078W2K1TX/ref=sr\\_1\\_1?dchild=1&keywords=upperslide-cabinet-caddies-expansion&qid=1593184942&sr=8-1](https://www.amazon.com/Upperslide-Cabinet-Caddies-Expansion-SHIPPING/dp/B078W2K1TX/ref=sr_1_1?dchild=1&keywords=upperslide-cabinet-caddies-expansion&qid=1593184942&sr=8-1) (4 pgs).

\* cited by examiner

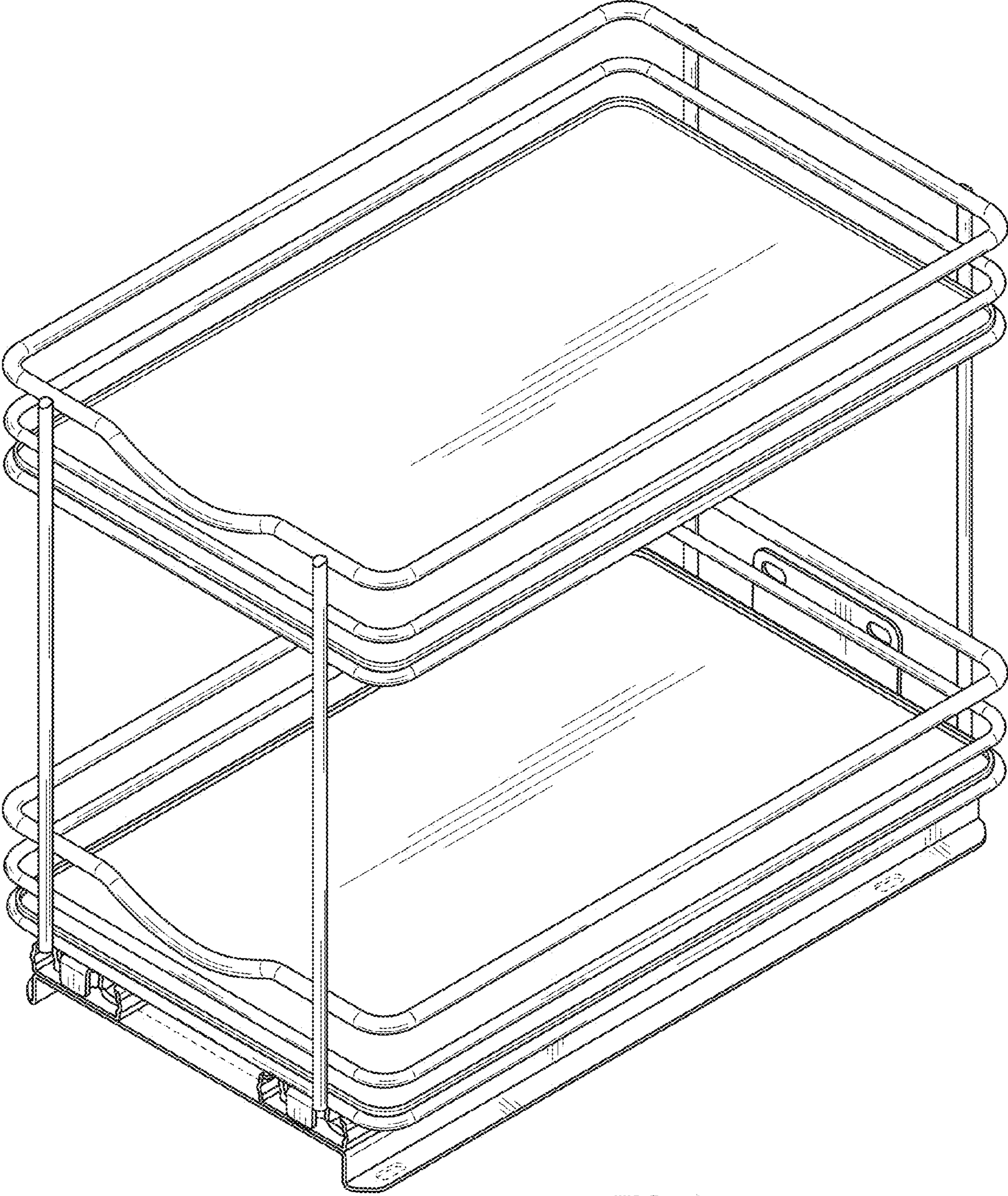


FIG. 1

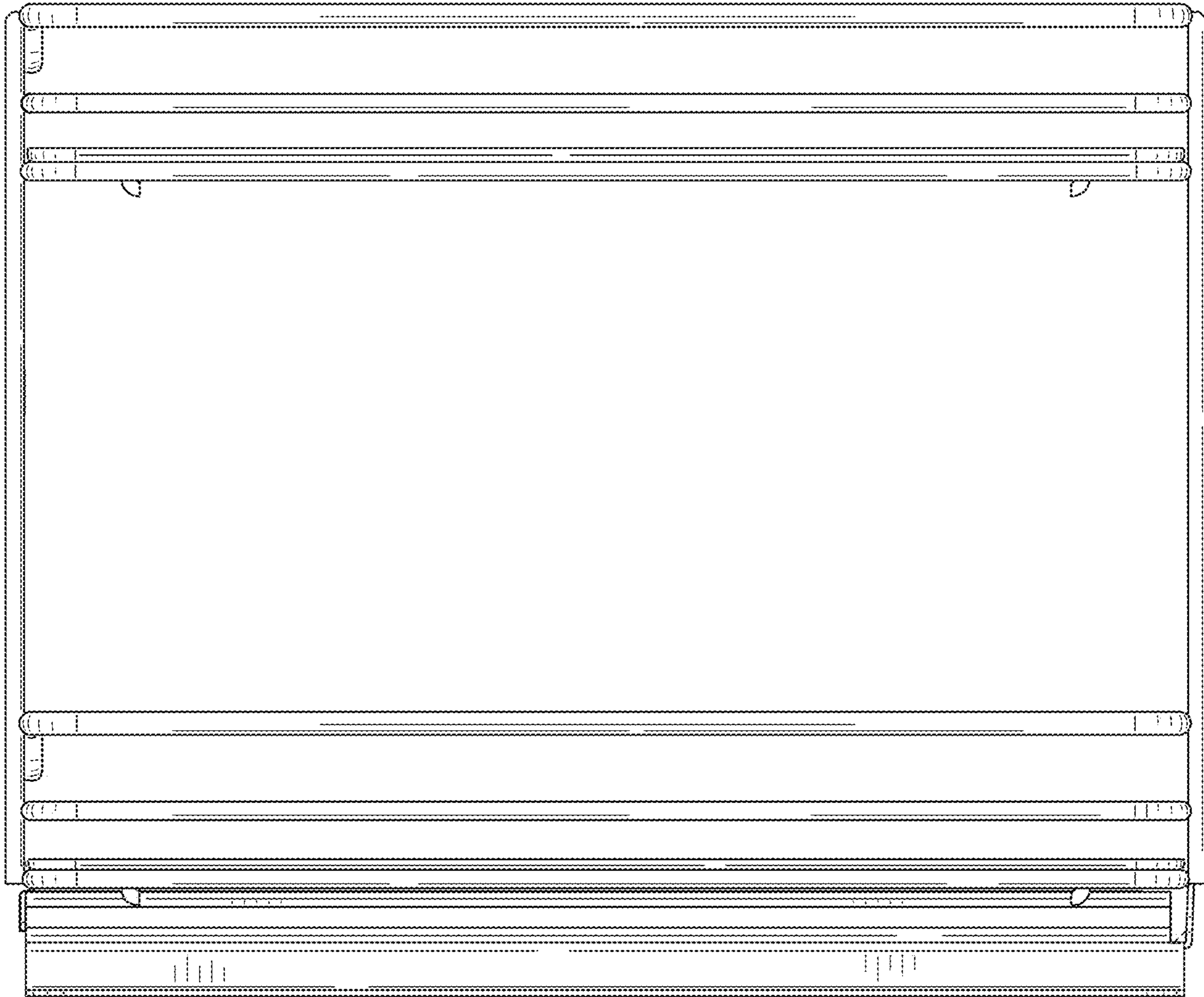


FIG. 2

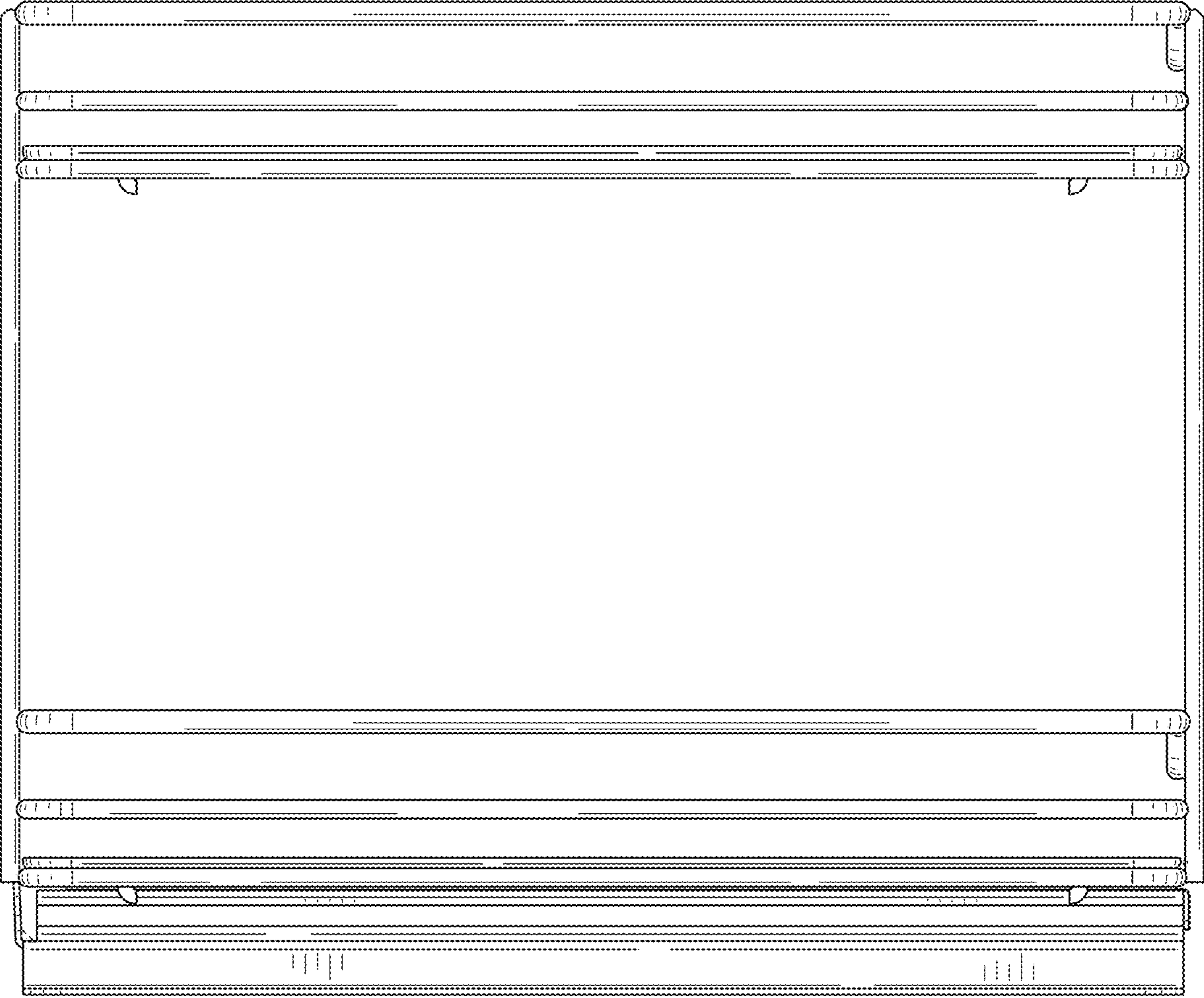


FIG. 3

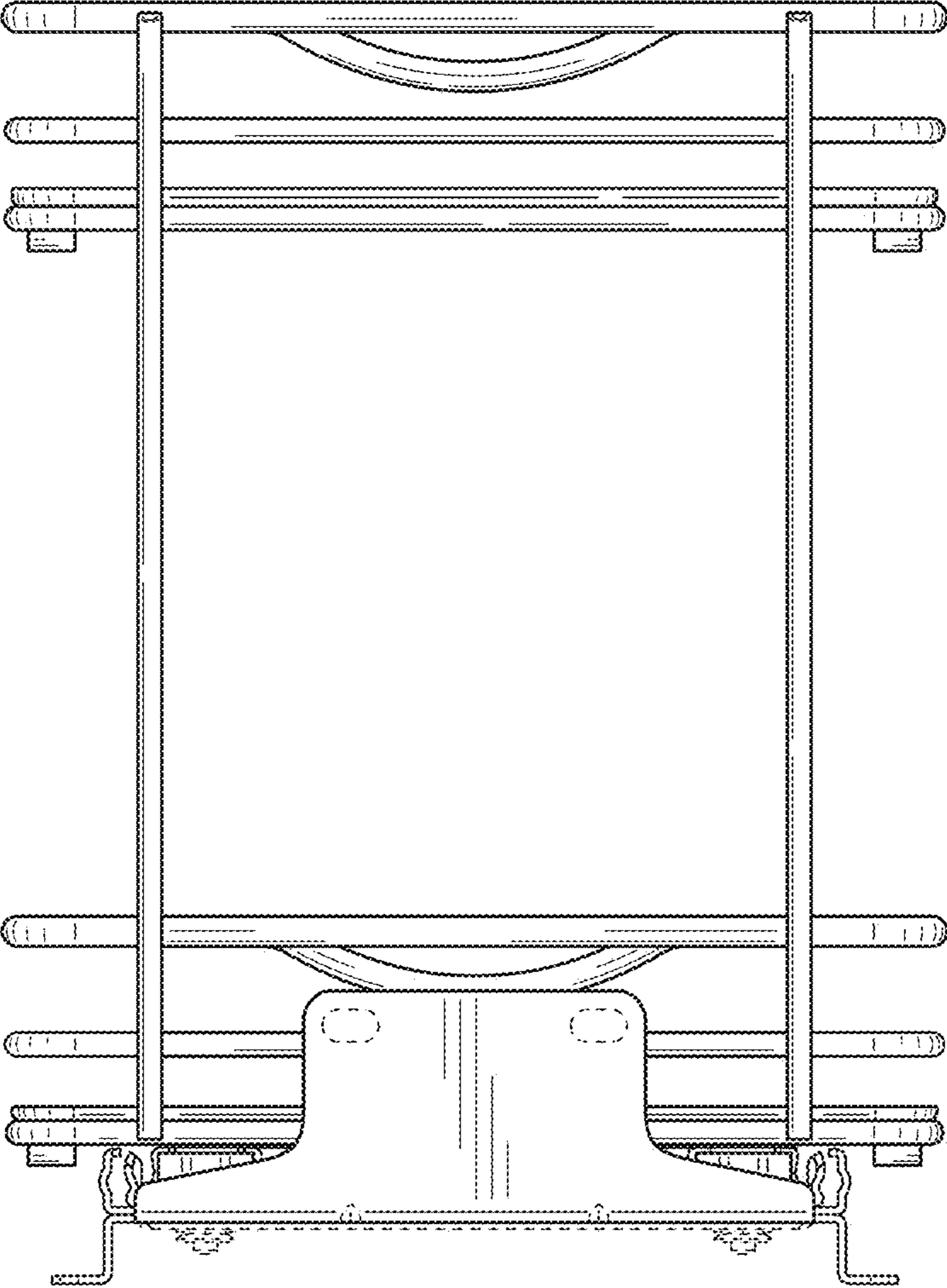


FIG. 4

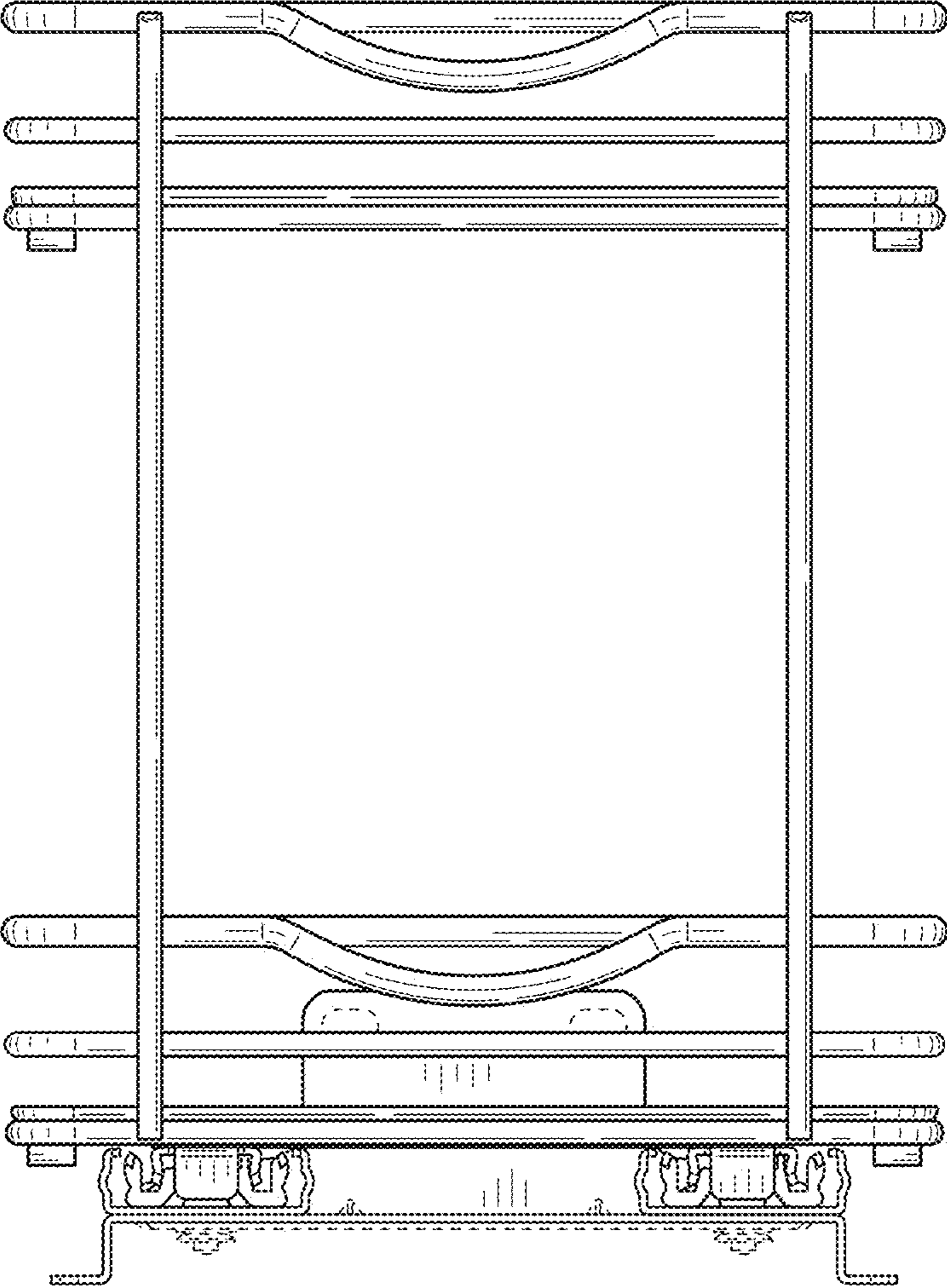


FIG. 5





FIG. 6

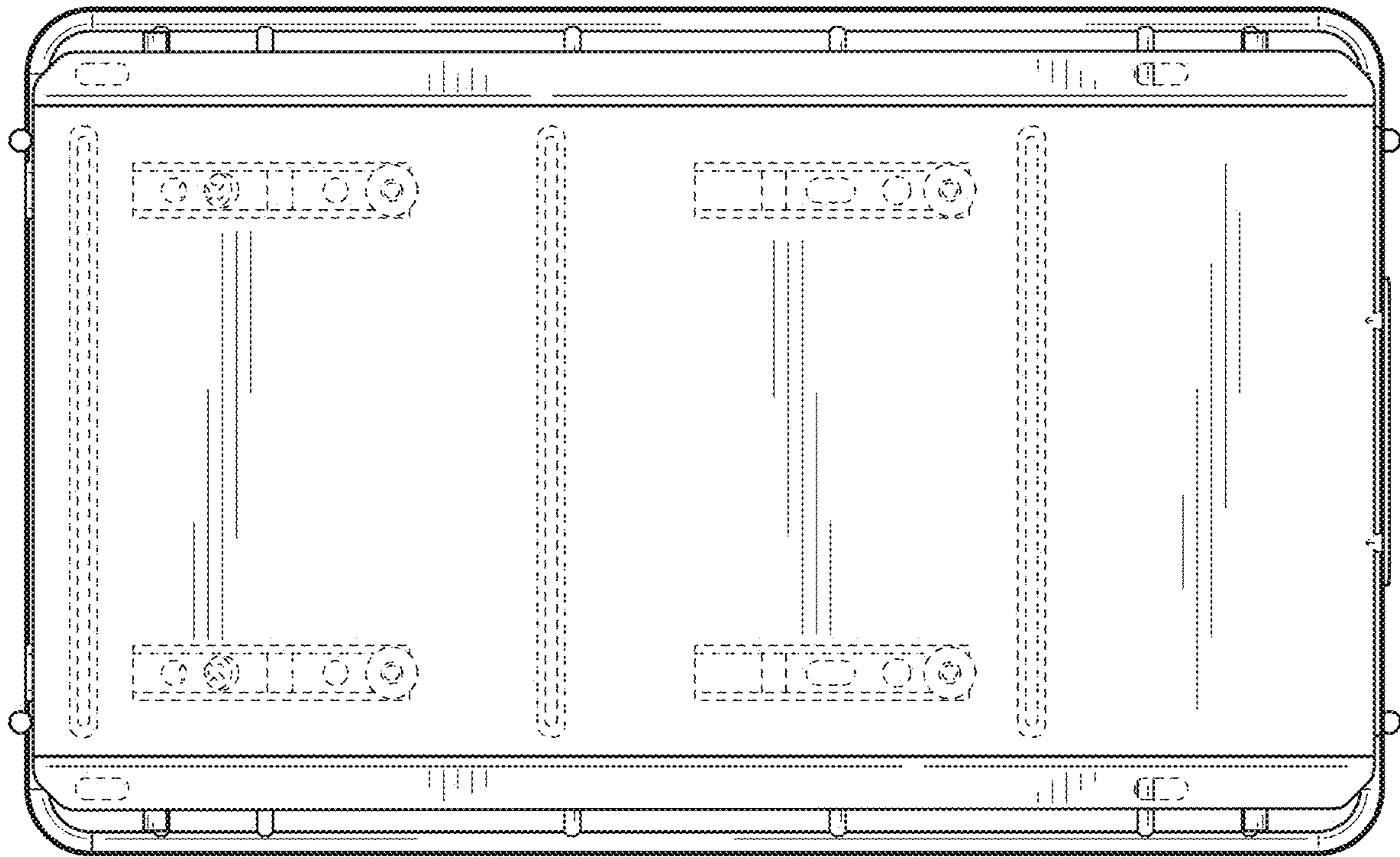


FIG. 7

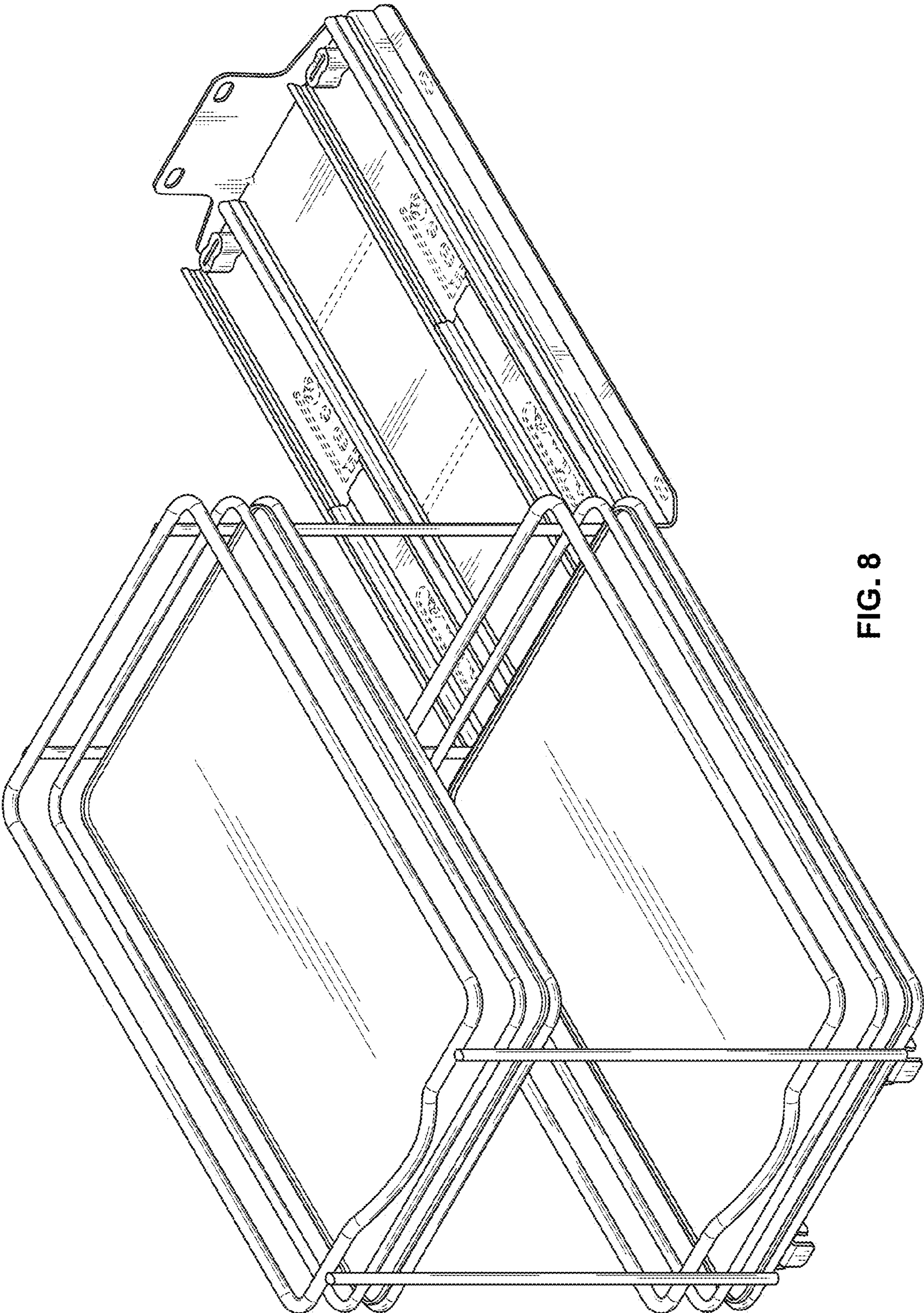


FIG. 8

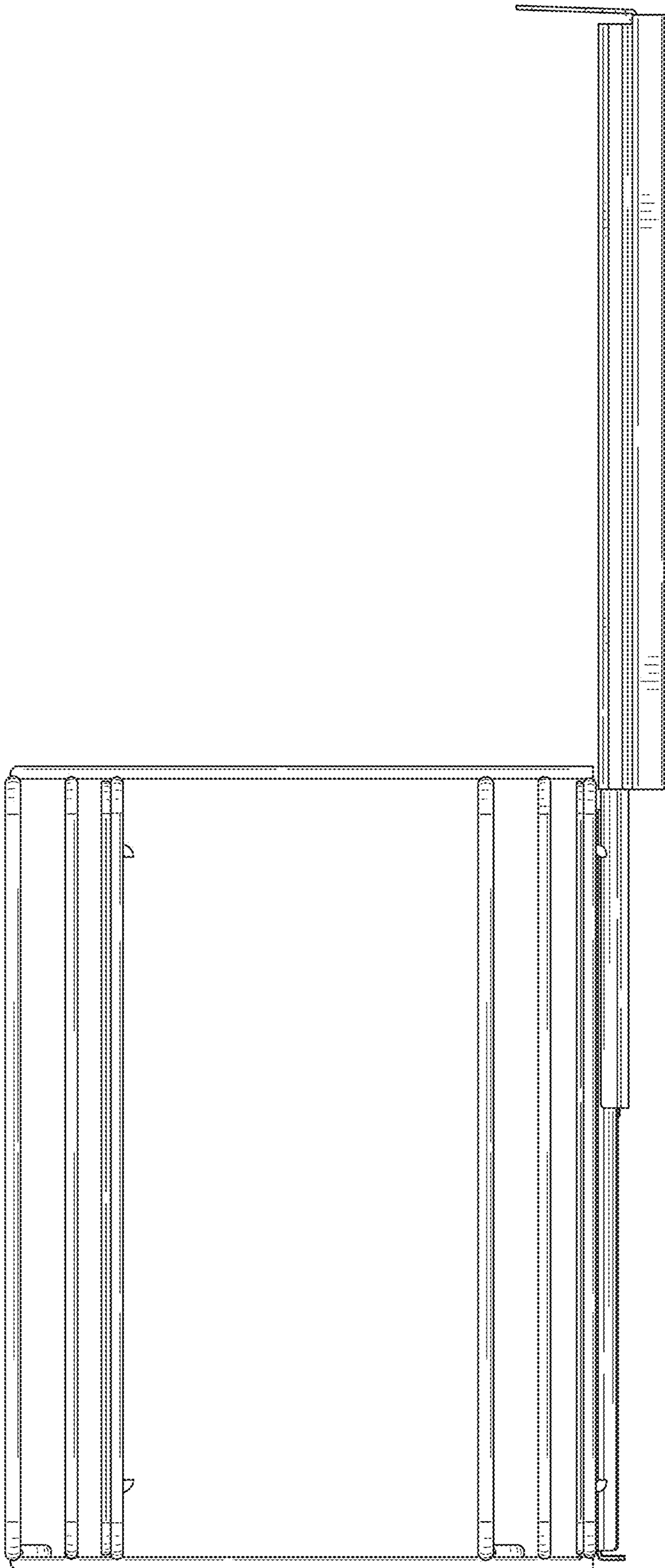


FIG. 9

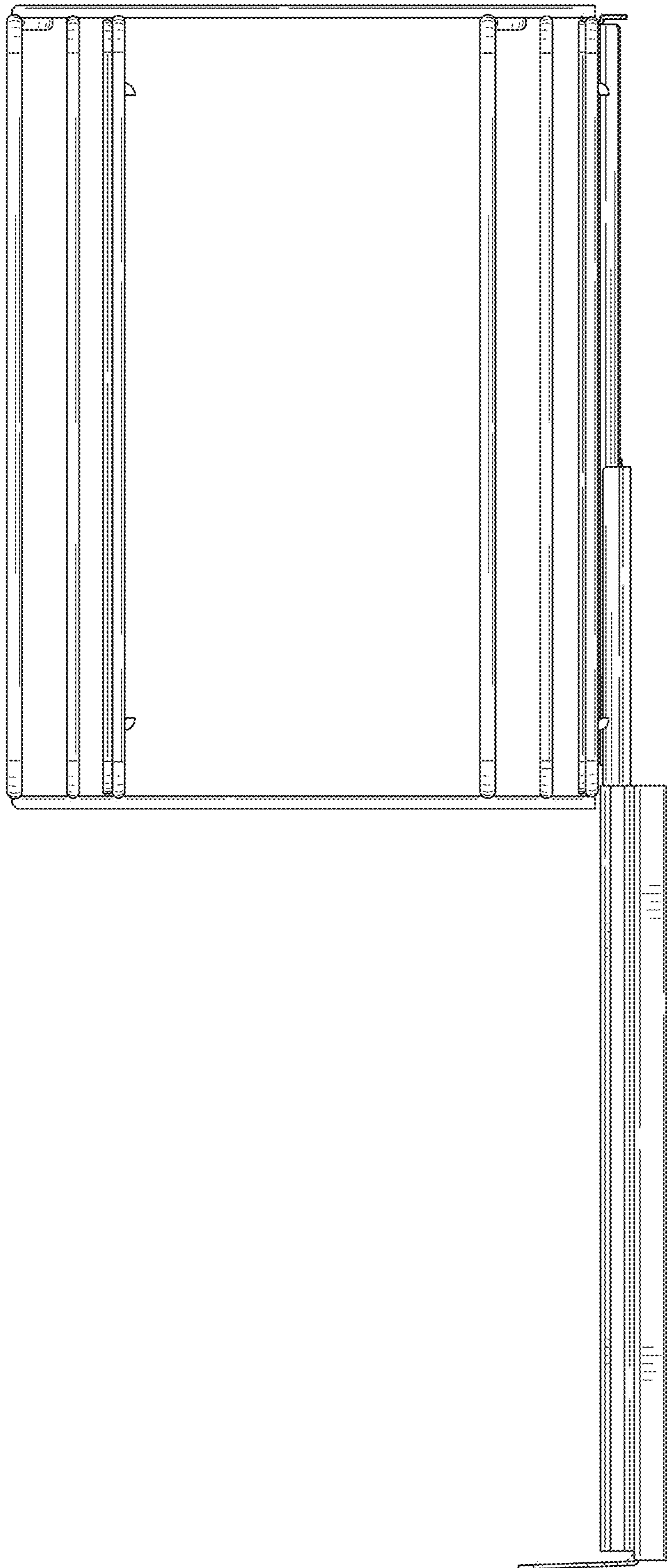


FIG. 10

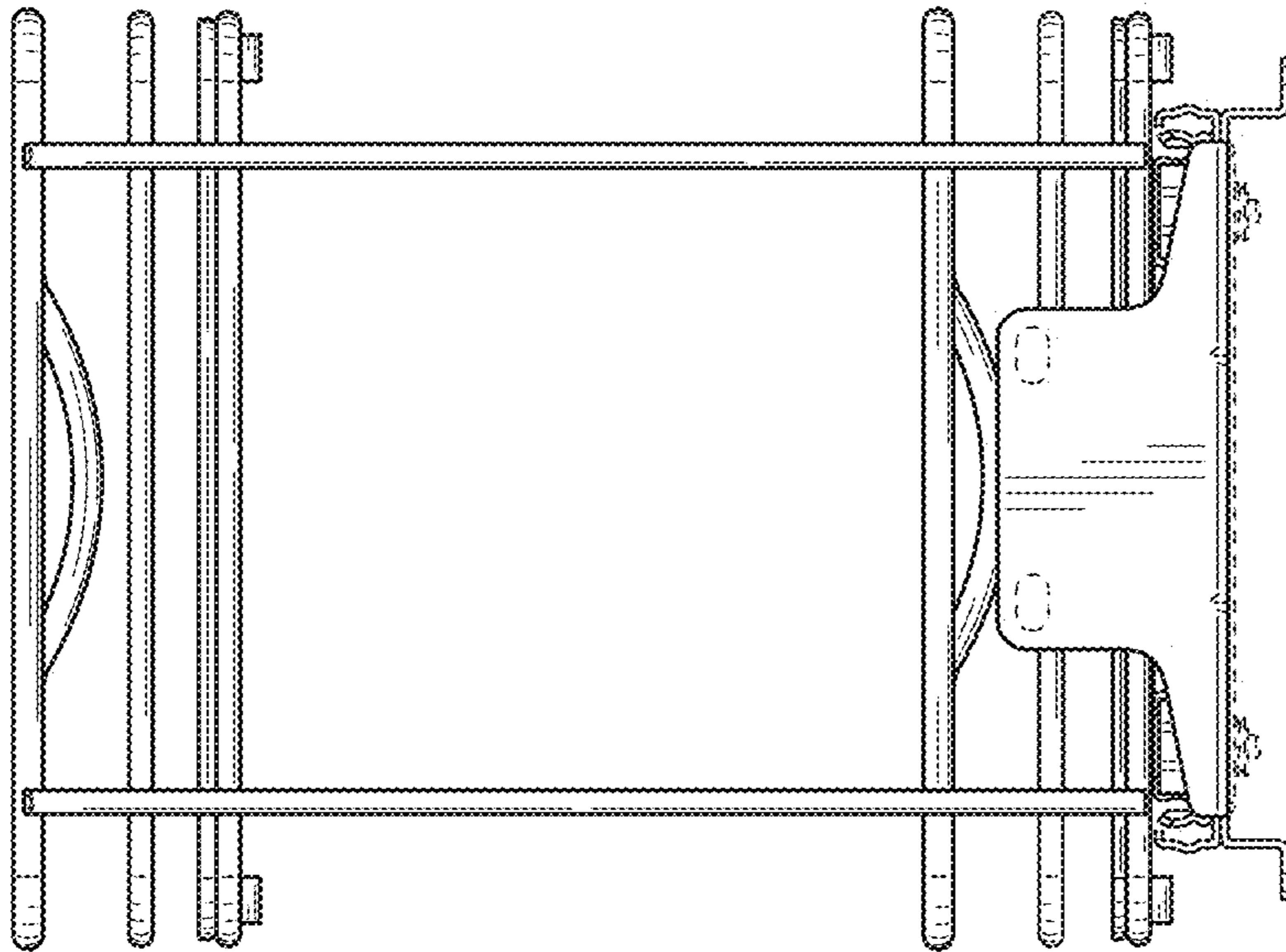


FIG. 11

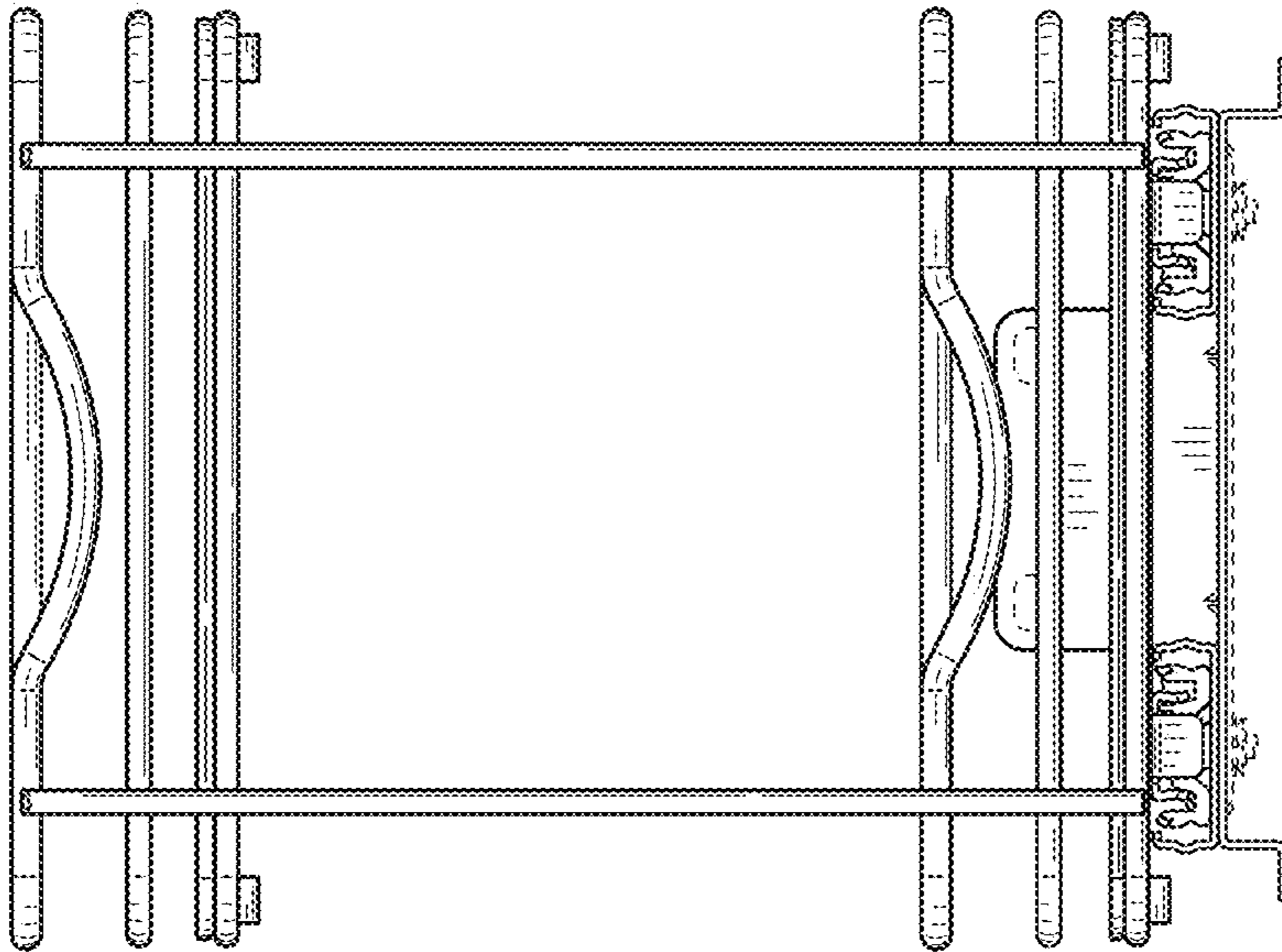


FIG. 12

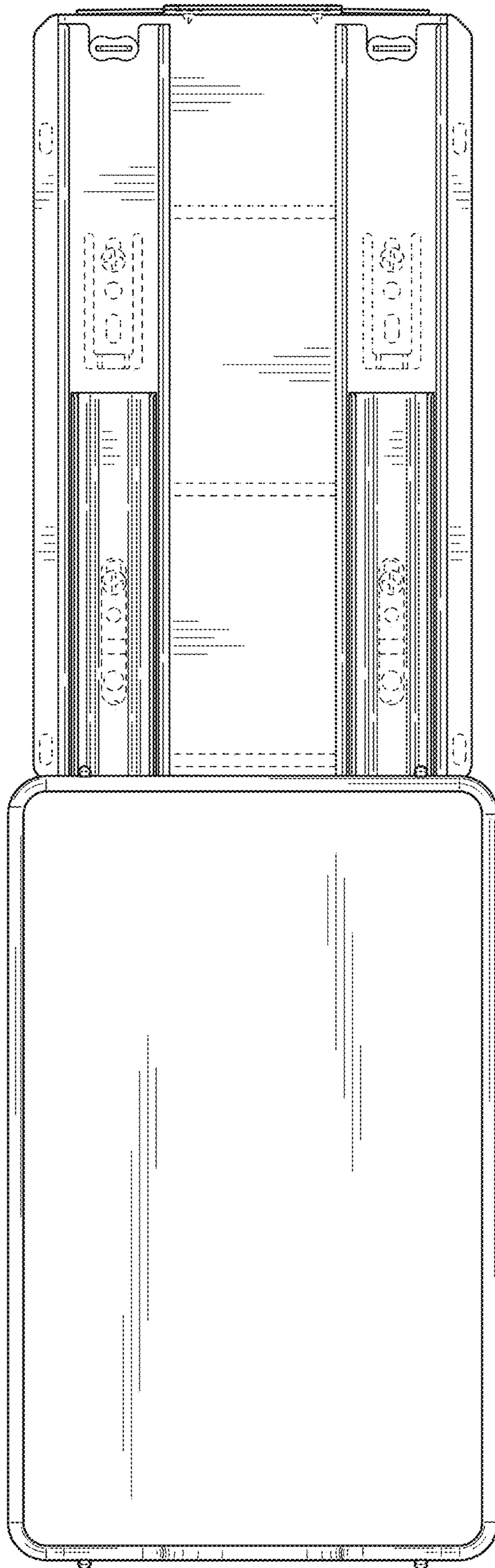


FIG. 13



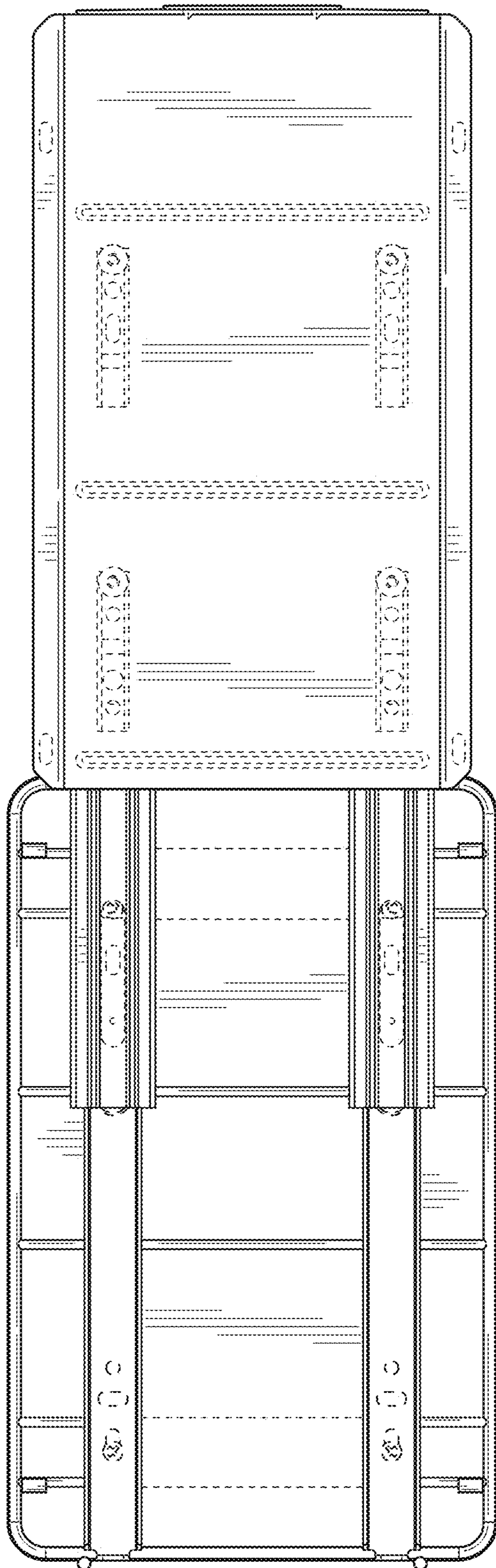


FIG. 14