



US00D956478S

(12) **United States Design Patent** (10) **Patent No.:** **US D956,478 S**
Shi (45) **Date of Patent:** **** Jul. 5, 2022**

(54) **FOOTBALL CUP**

(71) Applicant: **LPIP LLC**, Naperville, IL (US)

(72) Inventor: **Ling Shi**, Buffalo Grove, IL (US)

(**) Term: **15 Years**

(21) Appl. No.: **29/699,520**

(22) Filed: **Jul. 26, 2019**

(51) **LOC (13) Cl.** **07-01**

(52) **U.S. Cl.**
USPC **D7/515**

(58) **Field of Classification Search**

USPC D2/617; D7/201, 311, 342, 345, 389,
D7/506, 514, 515, 518, 520, 521, 539,
D7/544, 551.1, 551.2, 553.5, 553.6, 556,
D7/559, 563, 564, 566, 567, 571, 576,
D7/577, 582, 583, 593, 594, 599, 604,
D7/605, 613, 619.2, 623, 625, 628, 634,
D7/636, 639, 651, 654, 659, 660, 661,
D7/675, 684, 689, 699, 702, 710; D8/38,
D8/53, 305, 351, 365; D9/441, 451, 544,
D9/601, 614, 620, 624, 655, 658; D10/6,
D10/8, 33, 35, 54, 106.4; D11/99, 131,
D11/149, 157, 160, 172; D19/6, 8, 24,
D19/28, 30, 31, 33, 34.3, 34.5, 82, 94,

(Continued)

(56) **References Cited**

U.S. PATENT DOCUMENTS

D38,672 S * 7/1907 Millard A47G 19/2266
D7/301

D65,446 S * 8/1924 McGill D26/16

(Continued)

FOREIGN PATENT DOCUMENTS

CN 303020992 * 12/2014
IN 280822-0001 * 6/2018

(Continued)

OTHER PUBLICATIONS

Leonello, "Gold Trphy cup, with American football ball at the top," Jun. 12, 2016, iStock, www.istockphoto.com/photo/gold-trophy-cup-with-american-football-ball-at-the-top-gm531873252-94002429 (Year: 2016).*

(Continued)

Primary Examiner — Joseph Kukella

Assistant Examiner — Arva P Adams

(74) *Attorney, Agent, or Firm* — The Law Offices of Konrad Sherinian, LLC

(57) **CLAIM**

The ornamental design for a football cup, as shown and described.

DESCRIPTION

FIG. 1 is a front perspective view of a first embodiment of a football cup;

FIG. 2 is a front side view thereof;

FIG. 3 is a rear side view thereof;

FIG. 4 is a left side view thereof;

FIG. 5 is a right side view thereof;

FIG. 6 is a top view thereof;

FIG. 7 is a bottom view thereof;

FIG. 8 is a front perspective view of a second embodiment of a football cup;

FIG. 9 is a front side view thereof;

FIG. 10 is a rear side view thereof;

FIG. 11 is a left side view thereof;

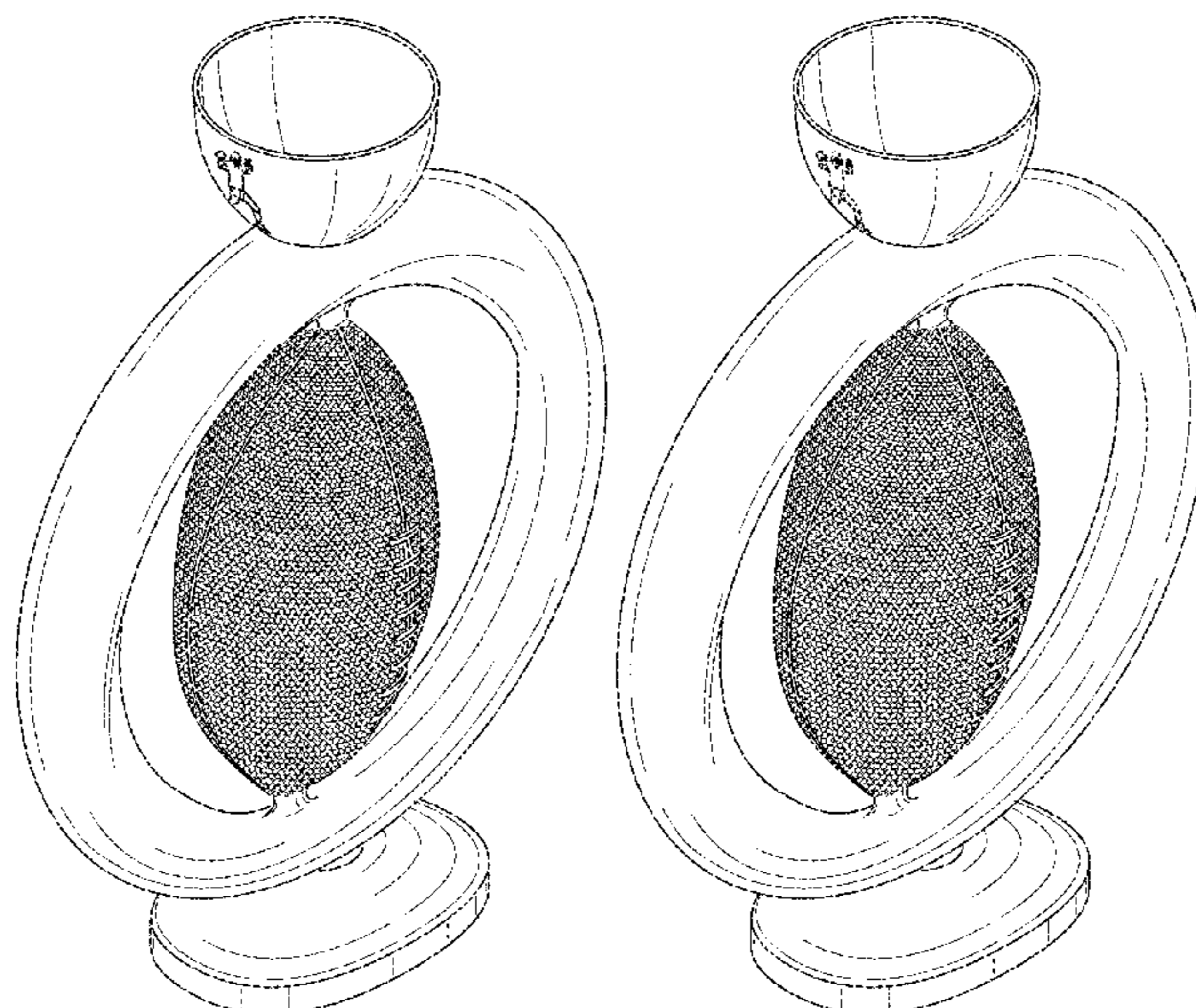
FIG. 12 is a right side view thereof;

FIG. 13 is a top view thereof; and,

FIG. 14 is a bottom view thereof.

The broken lines in the drawings depict portions of the football cup that form no part of the corresponding embodiment of the claimed design.

1 Claim, 8 Drawing Sheets



(58) **Field of Classification Search**

USPC D19/137, 140, 144; D20/3, 23, 25, 32, D20/33; D21/318, 712, 788; D26/4, 7, D26/14, 16, 17, 18, 19, 32, 33, 47, 57, D26/94, 98, 99, 101, 125, 126, 127, 146, D26/147, 156; D27/106, 114, 119, 148, D27/151, 165, 171, 177, 178, 182, 188, D27/192; D29/123

CPC A47G 19/12; A47G 19/22; A47G 19/2205; A47G 19/2227; A47G 19/2255; A47G 2023/0283; A47G 2023/0666; A47G 23/02; A47G 23/0208; A47G 23/0241; A47G 33/004; B65D 1/34; B65D 1/265

See application file for complete search history.

(56) **References Cited**

U.S. PATENT DOCUMENTS

D100,616 S * 8/1936 Cunningham D7/527
 D119,746 S * 4/1940 Fuerst D7/559
 D166,458 S * 4/1952 Edwards D30/102
 D200,587 S * 3/1965 Wilkin D7/520
 D249,438 S 9/1978 Meier
 D251,284 S 3/1979 Weaver
 D288,362 S * 2/1987 Simmons D24/198
 D289,694 S 5/1987 Pickett
 D314,492 S 2/1991 Weller et al.
 D319,008 S 8/1991 Leon
 D330,857 S 11/1992 Kidd
 D332,741 S 1/1993 Turner
 D341,774 S 11/1993 Felz
 D346,185 S 4/1994 Francis
 D355,591 S 2/1995 Weder
 D355,592 S 2/1995 Weder
 D355,594 S 2/1995 Weder
 D355,596 S 2/1995 Weder
 D356,032 S 3/1995 Weder
 D357,541 S 4/1995 Neidell
 D359,655 S 6/1995 Hurst
 D370,154 S 5/1996 Gruneisen
 D371,934 S 7/1996 Gwirko
 D375,258 S 11/1996 Weder
 D379,023 S 4/1997 Arroyo
 D379,149 S 5/1997 Powell
 D389,734 S 1/1998 Schultz et al.
 D391,155 S 2/1998 Edson et al.
 D400,395 S * 11/1998 Wilson D7/396.6
 D405,843 S * 2/1999 Palardis D21/406
 D406,505 S 3/1999 Arroyo
 D408,237 S 4/1999 Wysopal
 D411,442 S 6/1999 Edson
 D416,799 S 11/1999 Adams
 6,036,570 A 3/2000 Nadel
 D424,375 S 5/2000 D'Arrigo
 D456,305 S 4/2002 Hopkins
 D478,480 S 8/2003 Leon
 D511,212 S 11/2005 Whalen
 D513,157 S 12/2005 Falt
 D514,386 S * 2/2006 Yaniv D7/509
 D524,127 S 7/2006 Lee
 D535,157 S 1/2007 Hoehne
 D539,622 S 4/2007 Wysopal
 D546,110 S * 7/2007 Stein D7/301
 D562,073 S 2/2008 Yeh
 D565,288 S 4/2008 Hickman
 D572,532 S * 7/2008 Despres D7/510
 D575,164 S 8/2008 Billings
 D575,165 S 8/2008 Billings
 D580,775 S 11/2008 Harris
 D587,968 S 3/2009 Campbell
 D589,177 S * 3/2009 Langley D26/8
 D589,765 S 4/2009 Zuloff
 D607,248 S * 1/2010 Lochen D6/515
 D609,111 S * 2/2010 Bentley D9/668
 D609,987 S 2/2010 Moman

D611,287 S * 3/2010 Lochen D7/301
 D621,657 S * 8/2010 Quinn D7/507
 D623,938 S 9/2010 Gordon
 D633,569 S * 3/2011 Jarrett D20/29
 D653,443 S 2/2012 Roudybush
 D656,359 S * 3/2012 Stein D7/379
 D663,575 S 7/2012 Carroll et al.
 D678,120 S 3/2013 Reetz et al.
 D686,884 S * 7/2013 Carter D7/625
 D695,005 S 12/2013 Kroupa
 D700,846 S 3/2014 Blends
 D709,555 S 7/2014 Moore et al.
 D713,688 S 9/2014 Thomas
 D718,146 S 11/2014 Tussy
 D719,033 S 12/2014 Kaddari
 D720,926 S 1/2015 Kroupa
 D725,392 S 3/2015 Goodwin
 D735,050 S 7/2015 Tussy
 D743,568 S 11/2015 Almonte
 D753,506 S * 4/2016 Veletakos D9/668
 D755,577 S 5/2016 Segal
 D761,660 S 7/2016 Giles
 D775,895 S 1/2017 Mayberry
 D789,748 S 6/2017 Peters et al.
 D796,327 S 9/2017 Walbroel et al.
 D796,328 S 9/2017 Walbroel et al.
 D800,508 S 10/2017 Peters
 D807,192 S 1/2018 Haws
 D807,694 S 1/2018 Jewett
 D821,886 S 7/2018 Paulin et al.
 D832,471 S * 10/2018 Voss D26/14
 D837,596 S * 1/2019 Altman D7/507
 D853,196 S 7/2019 Cramton
 D853,792 S 7/2019 Cramton
 D856,136 S 8/2019 Marshall
 D875,544 S 2/2020 Peters
 D892,246 S * 8/2020 Rutherford D21/788
 11,006,773 B1 * 5/2021 Bi A47G 19/2266
 2012/0199546 A1 8/2012 Dieni
 2014/0268675 A1 * 9/2014 Ho F21S 10/002
 362/101

FOREIGN PATENT DOCUMENTS

KR 300395366.0000 * 10/2005
 KR 300455441.0000 * 7/2007

OTHER PUBLICATIONS

Ltlhonda, "Cast Bronze Football Candle Holder/Candlestick," Jul. 9, 2019, Ebay, www.ebay.com/itm/254106377958 (Year: 2019).
 Trophy Depot, "Spinning Football," Accessed Jan. 23, 2022, Trophy Depot, www.trophydepot.com/Spinning-Football/P2818_324#.
 Ye2mtyDMJPY (Year: 2022).
 Trophy Depot, "Football Trophy with Spinning Squeezable Ball," Jan. 23, 2022, Trophy Depot, www.trophydepot.com/Football-Trophy-with-Spinning-Squeezable-Ball/P7654_356#.
 Ye2S_CDMJPY (Year: 2022).
 Sports Drinkware, Progressive Specialty Glass Company, progressiveglass.com/sports-drinkware/, Aug. 10, 2019, 860-410-9980.
 Football beer cup—Google Search, Aug. 10, 2019.
 Vinragw New York Jets Collectible Football Mug | eBay, Sep. 1, 2019.
 Amazon.com: Items 4 UI, Football Sippy Cup, 10-Ounce, 2-pack: Gateway, Sep. 1, 2019, Items 4 U.
 Libbey 23-Ounce Football Tumbler, Beer Glass Set, 4-Piece, <https://www.amazon.com/Libbey-23-Ounce-Football-Tumbler-4-Piece/d>, Nov. 13, 2016.
 Engraved Football Glass Tumbler, <https://www.amazon.com/dp/B015GED240?psc=1>, Nov. 13, 2016.
 NFL Football Shaped Ceramic Mug 6.25" Tall Goal Post Handle Perfect for any Fan, <http://www.ebay.com/itm/NFL-Football-Shaped-Ceramic-Mug-6-25-Tall> . . . , Nov. 13, 2016.
 Football Wine Glass Hand Painted Wine Glass by GrayWineDesign, <https://www.etsy.com/listing/249027169/football-wine-glass-hand-paint> . . . , Nov. 16, 2016.

(56)

References Cited

OTHER PUBLICATIONS

New Touch Down Football Ceramic Coffee Tea Cocoa Mug Cup 16 oz, <http://www.ebay.com/itm/NEW-Touch-Down-Football-Ceramic-Coffee-. . .>, Nov. 13, 2016.

Football Sports Cup, <https://www.amazon.com/Authentic-Sports-Shop-Football-Cup/dp/B00. . .>, Nov. 13, 2016.

Fantasy Football Tower Resin Trophy—3 Sizes, <https://www.awardsco.com/fantasy-football-tower-resin-trophy-3-sizes/>, Jul. 26, 2019.

8" Football Shooting Star Spinner Trophy, <https://www.awardsco.com/8-football-shooting-star-spinner-trophy/t731-ftb/>, Jul. 26, 2019.

5¾" Midnite Star Football Trophy, <https://www.awardsco.com/5-3-4-midnite-star-football-trophy/t260-ftb/>, Jul. 26, 2019.

5" Ecostarz Football Resin, <https://www.awardsco.com/5-ecostarz-football-resin/rt1485-ftb/>, Jul. 26, 2019.

7¼" Football Flame Series, <https://www.awardsco.com/7-1-4-football-flame-series-resin/rt1460-ftb/>, Jul. 26, 2019.

8.75" Spinning Football Theme Trophy, <https://www.awardsco.com/8-75-spinning-football-theme-trophy/t707-ftb/>, Jul. 26, 2019.

13.5" Football Trophy w/ Spinning Football, <https://www.awardsco.com/13-5-football-trophy-w-spinning-football/rt1425-ftb/>, Jul. 26, 2019.

6¼" Stars Football Resin, <https://www.awardsco.com/6-1-4-stars-football-resin/rt1355-ftb/>, Jul. 26, 2019.

5¾" Football Trophy, <https://www.awardsco.com/5-3-4-football-trophy/>, Jul. 26, 2019.

14" Football Trophy, <https://www.awardsco.com/14-football-trophy/>, Jul. 26, 2019.

6" Star Football Resin, <https://www.awardsco.com/6-star-football-resin/rt1603-ftb/>, Jul. 26, 2019.

5¾" Soft Spinning Sports Ball Trophy, <https://www.awardsco.com/5-3-4-soft-spinning-sports-ball-trophy/t704ftb/>, Jul. 26, 2019.

20" Metal Plated Football Resin, <https://www.awardsco.com/20-metal-plated-football-resin/rt1345-ftb/>, Jul. 26, 2019.

* cited by examiner

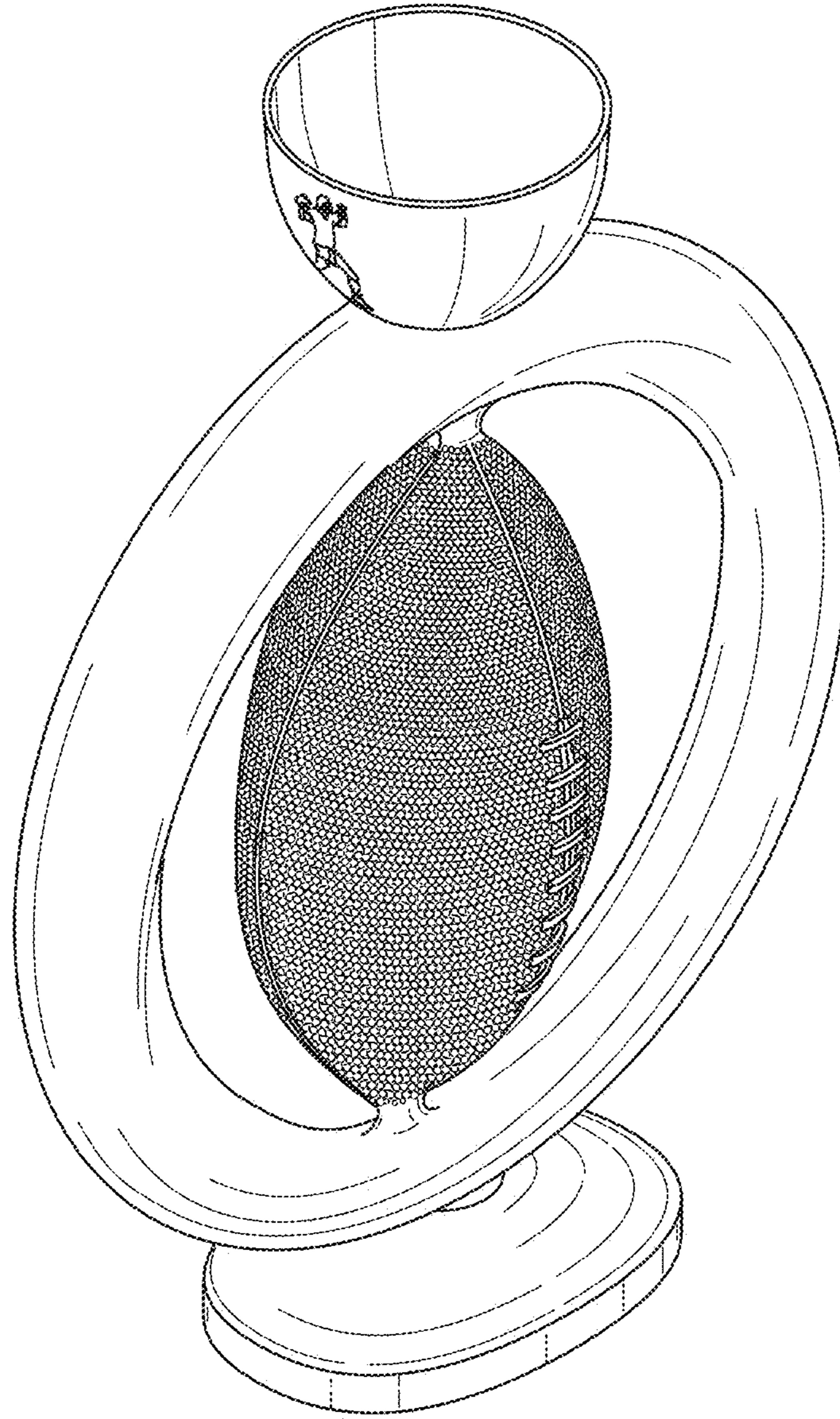


Fig. 1

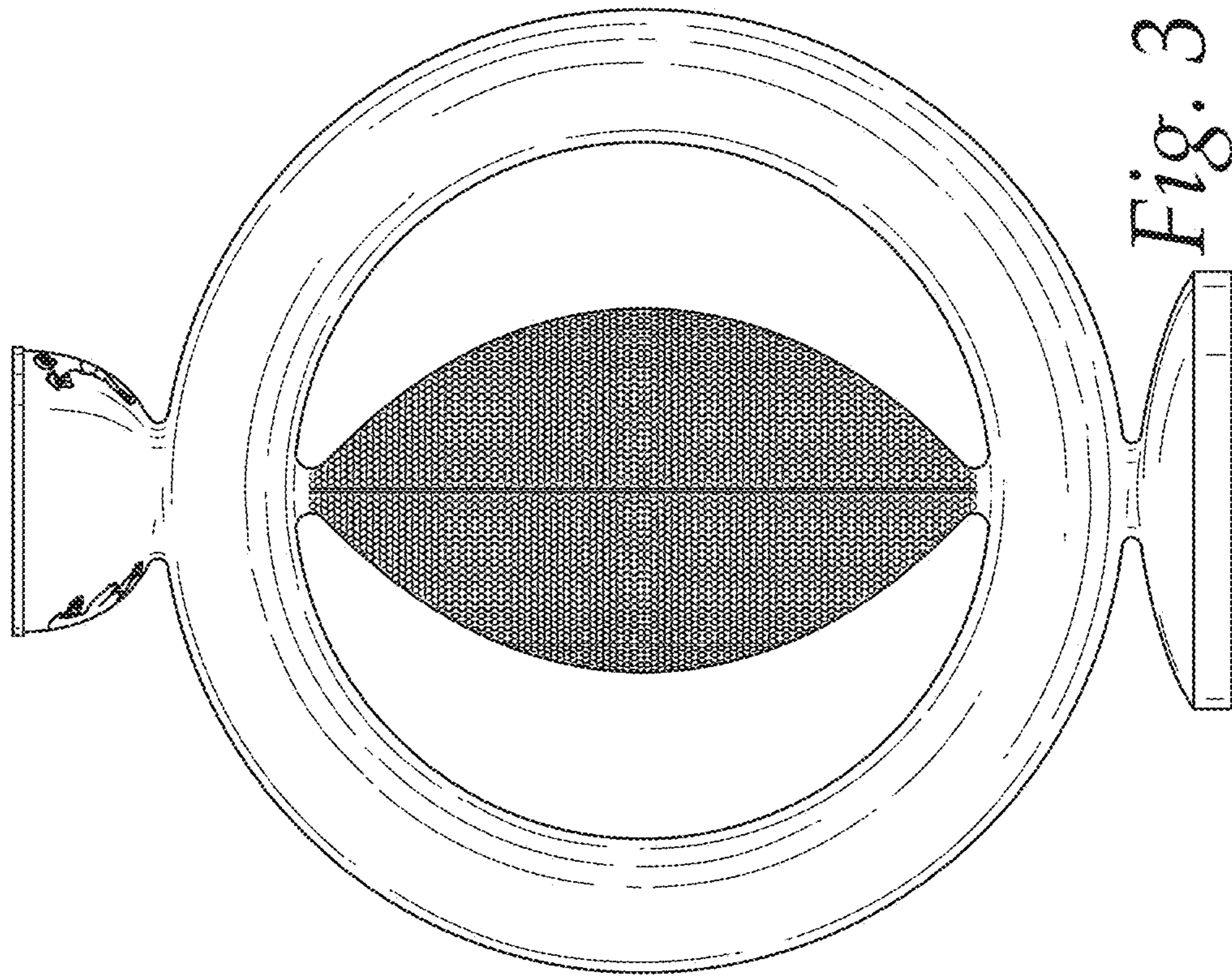


Fig. 3

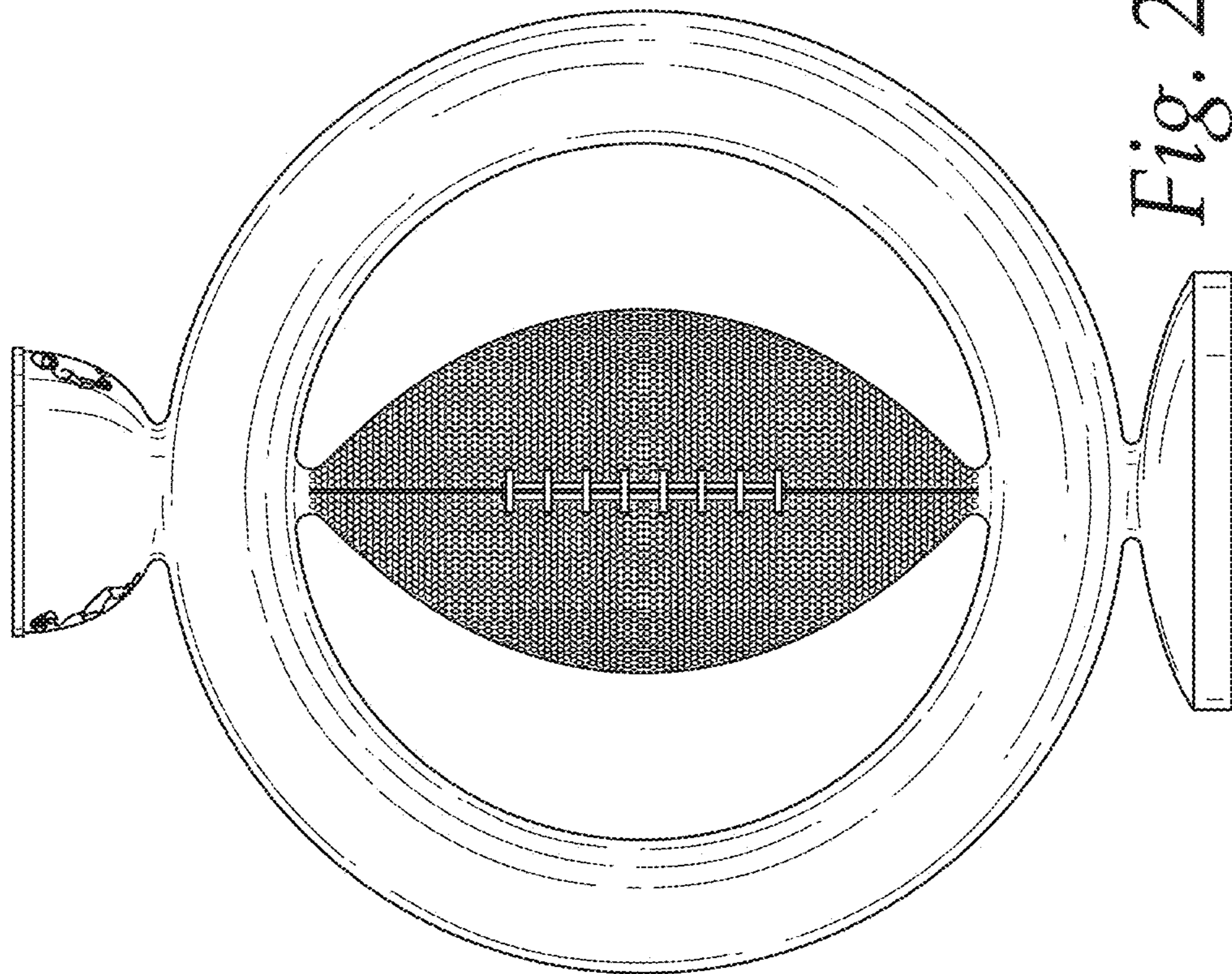


Fig. 2

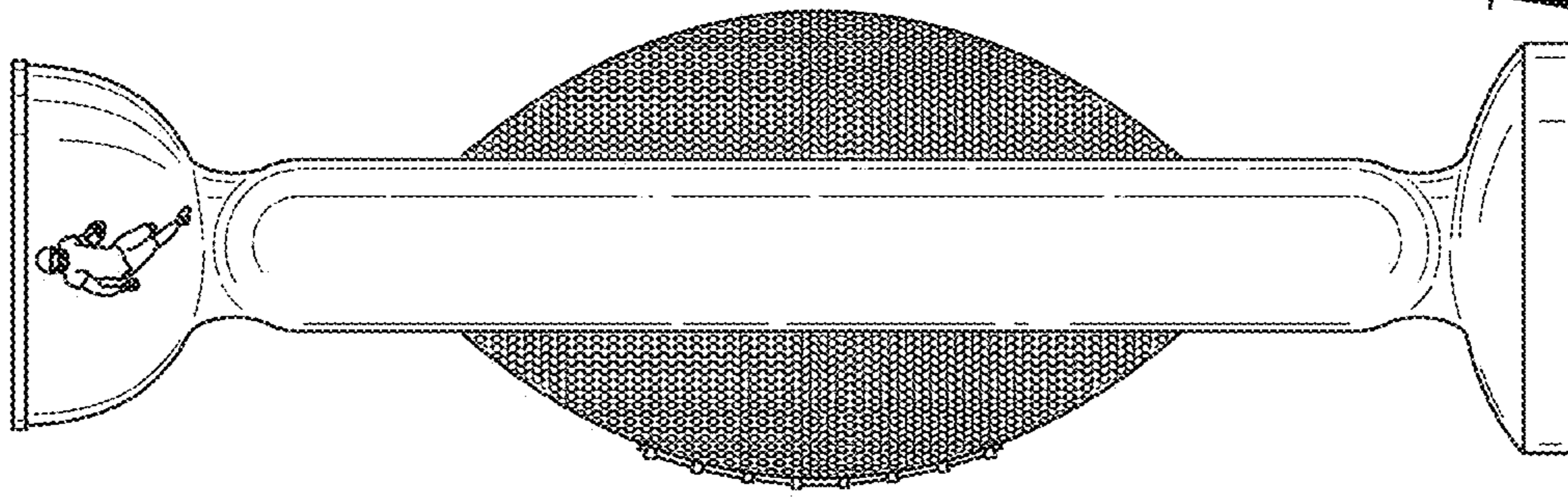


Fig. 5

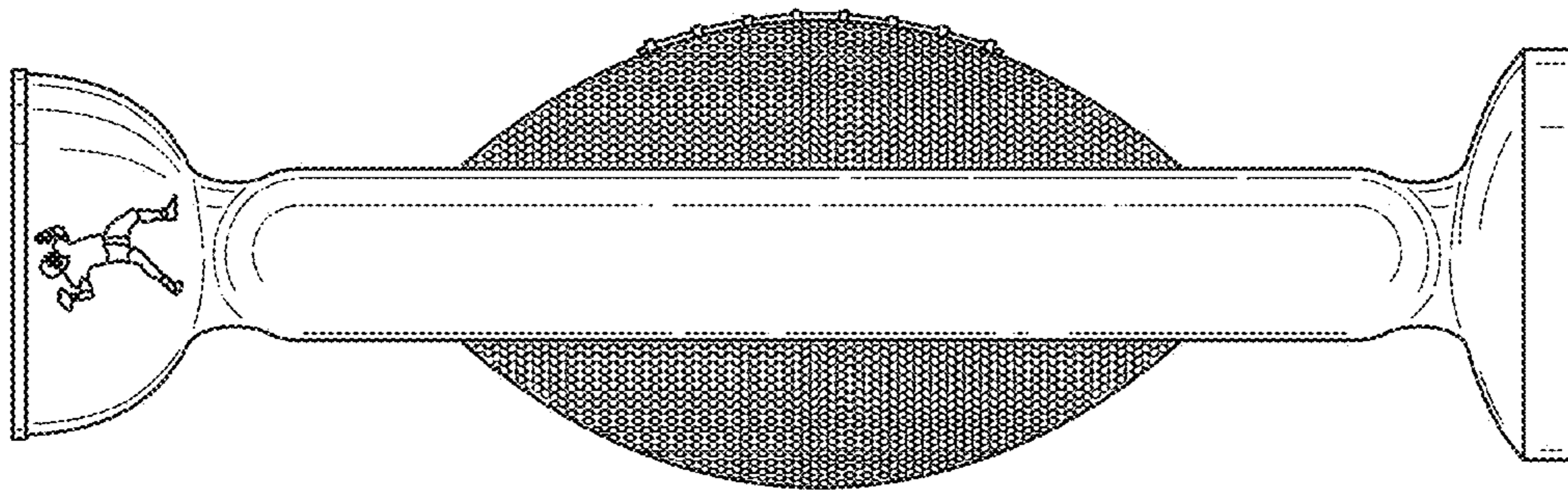


Fig. 4

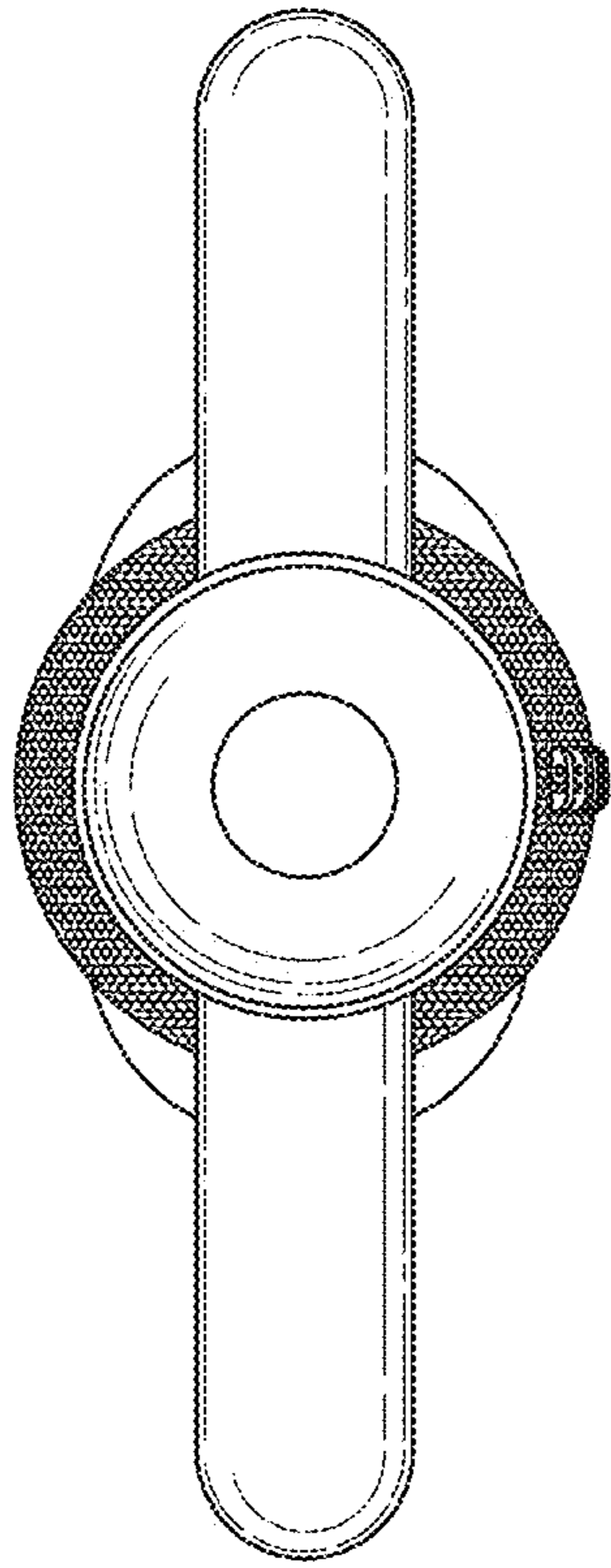


Fig. 6

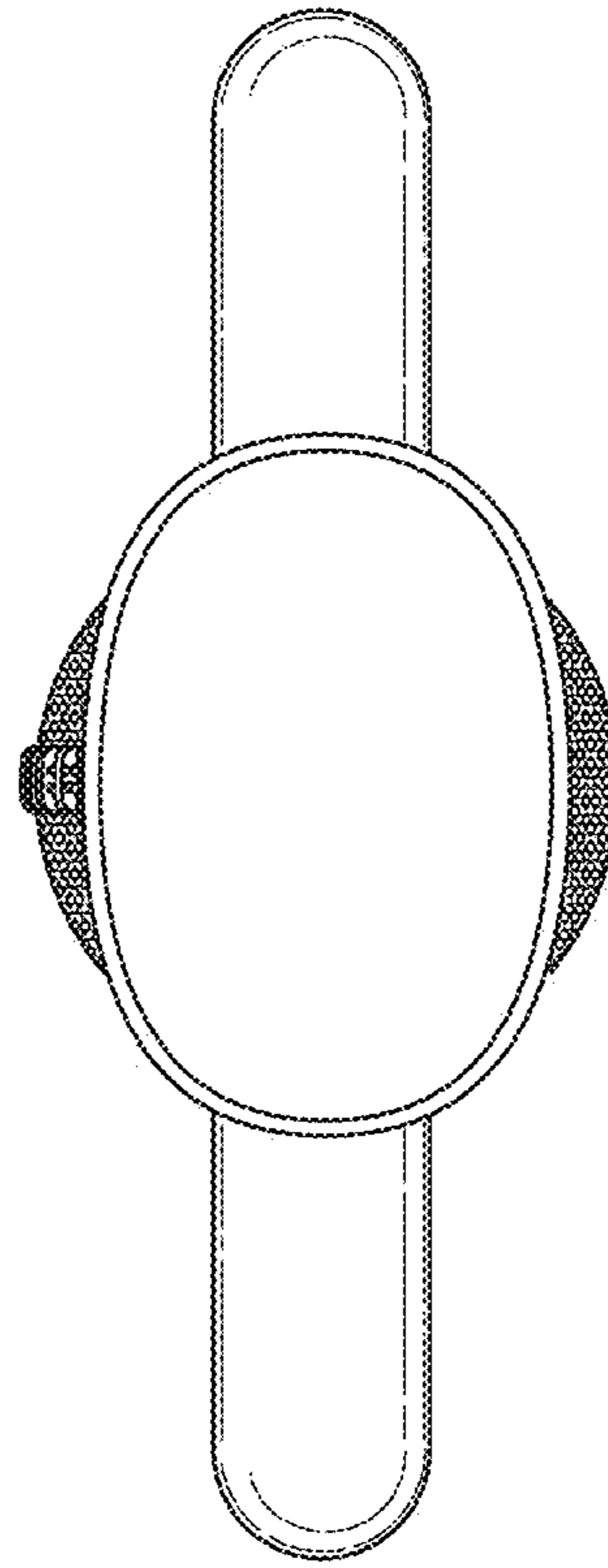


Fig. 7

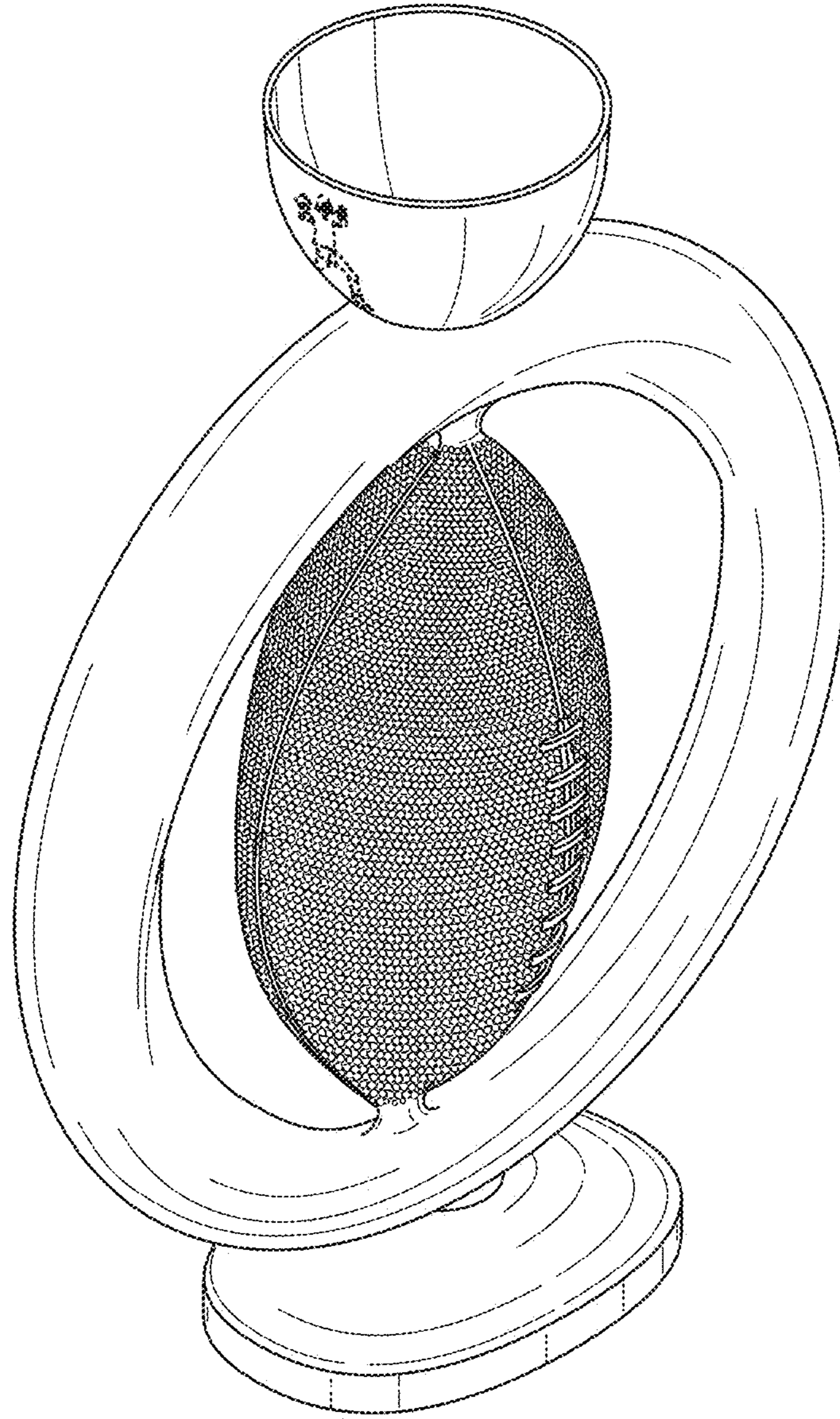


Fig. 8

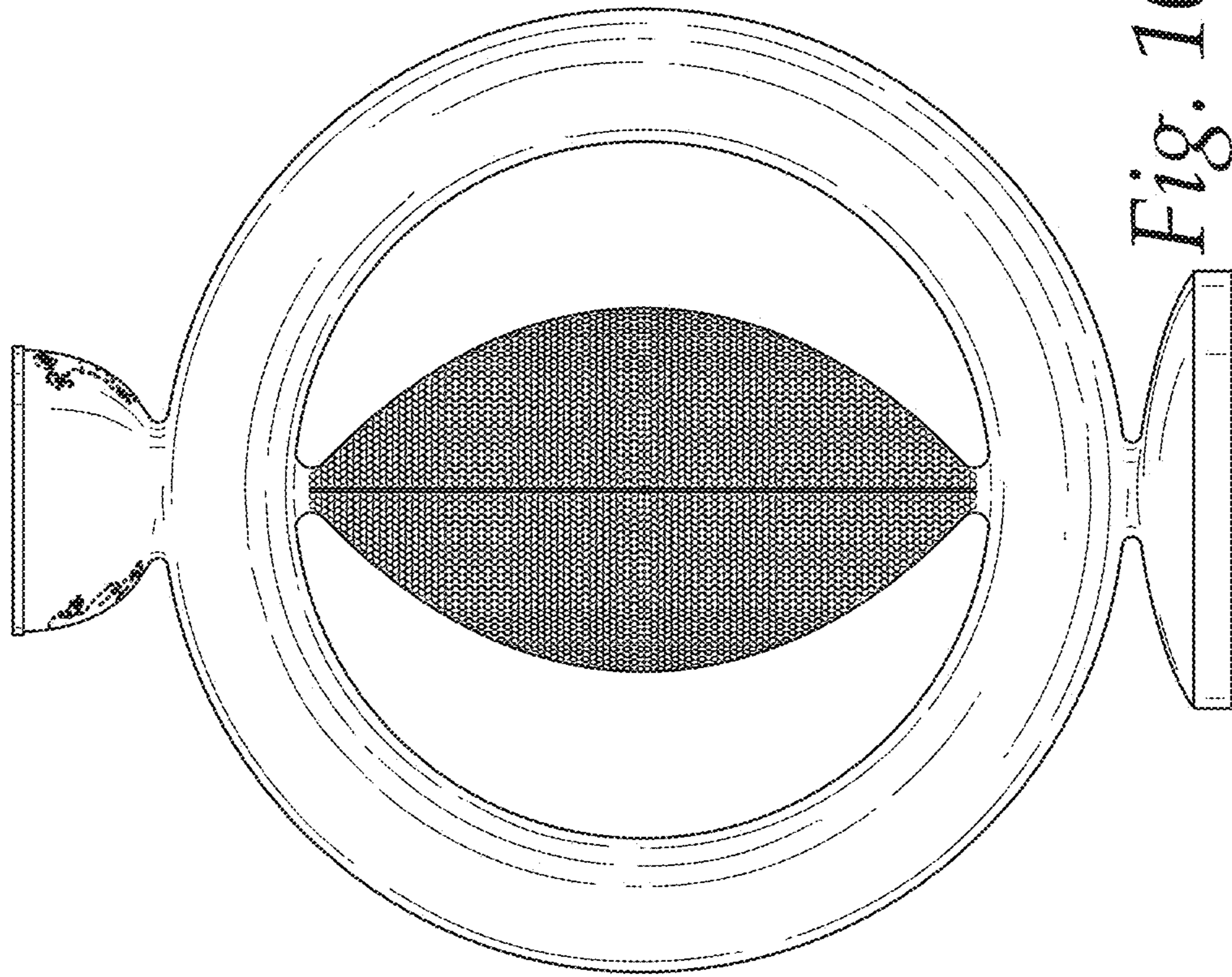


Fig. 9

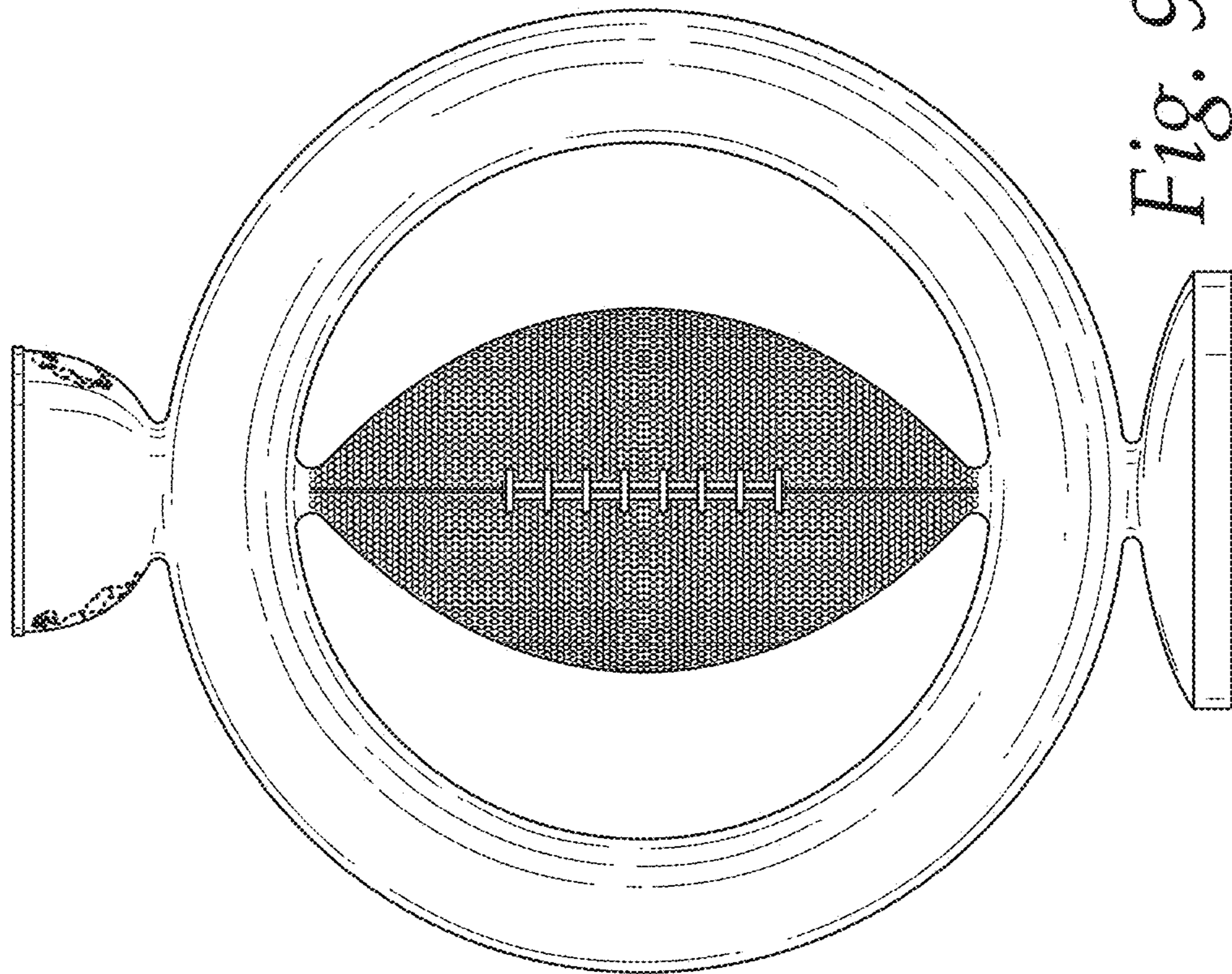


Fig. 10

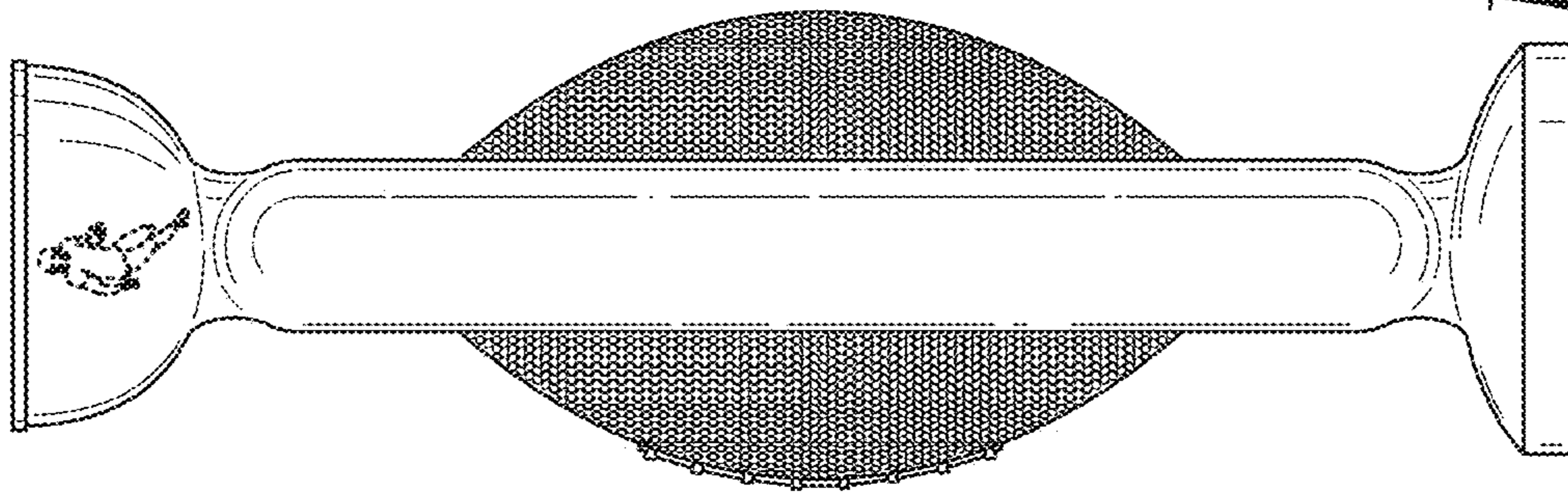


Fig. 12

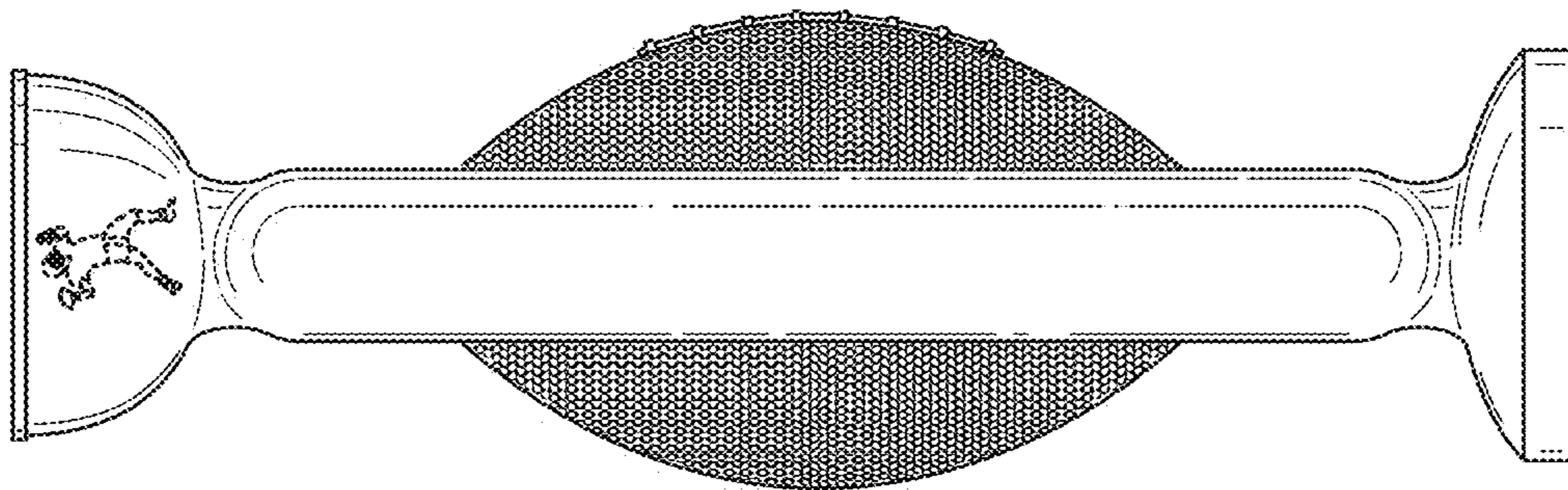


Fig. 11

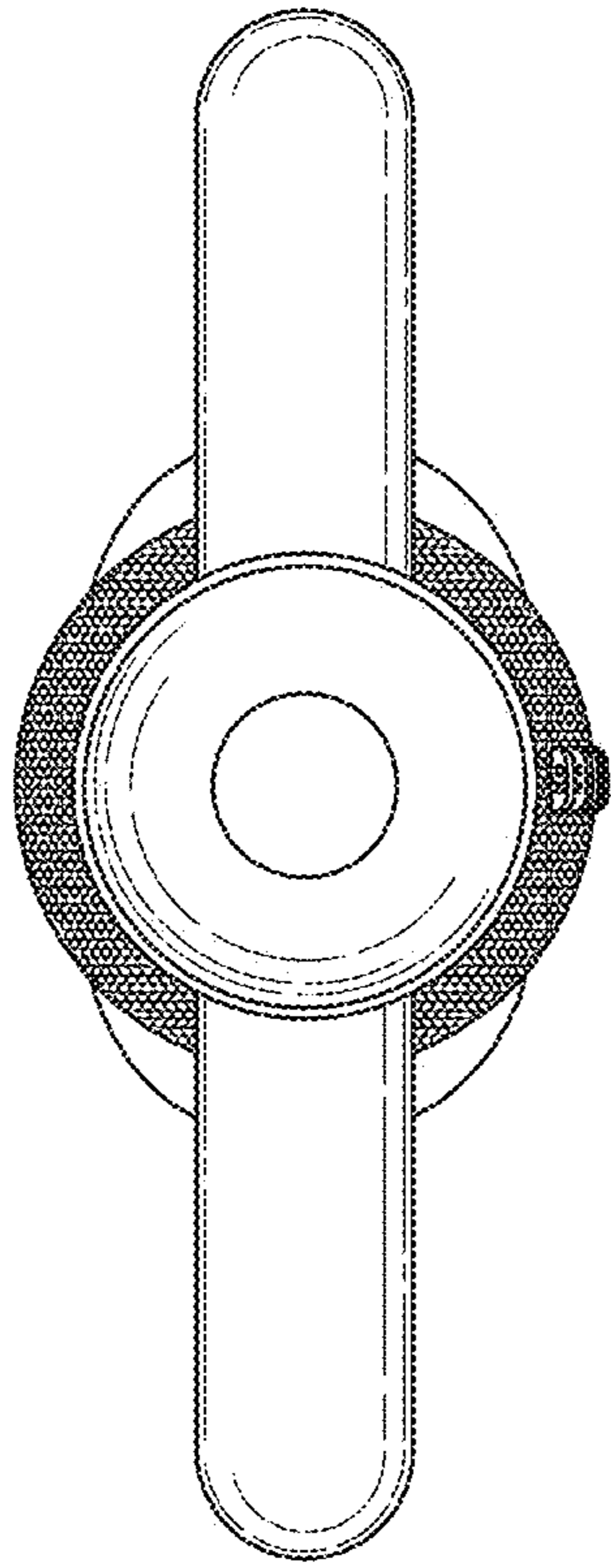


Fig. 13

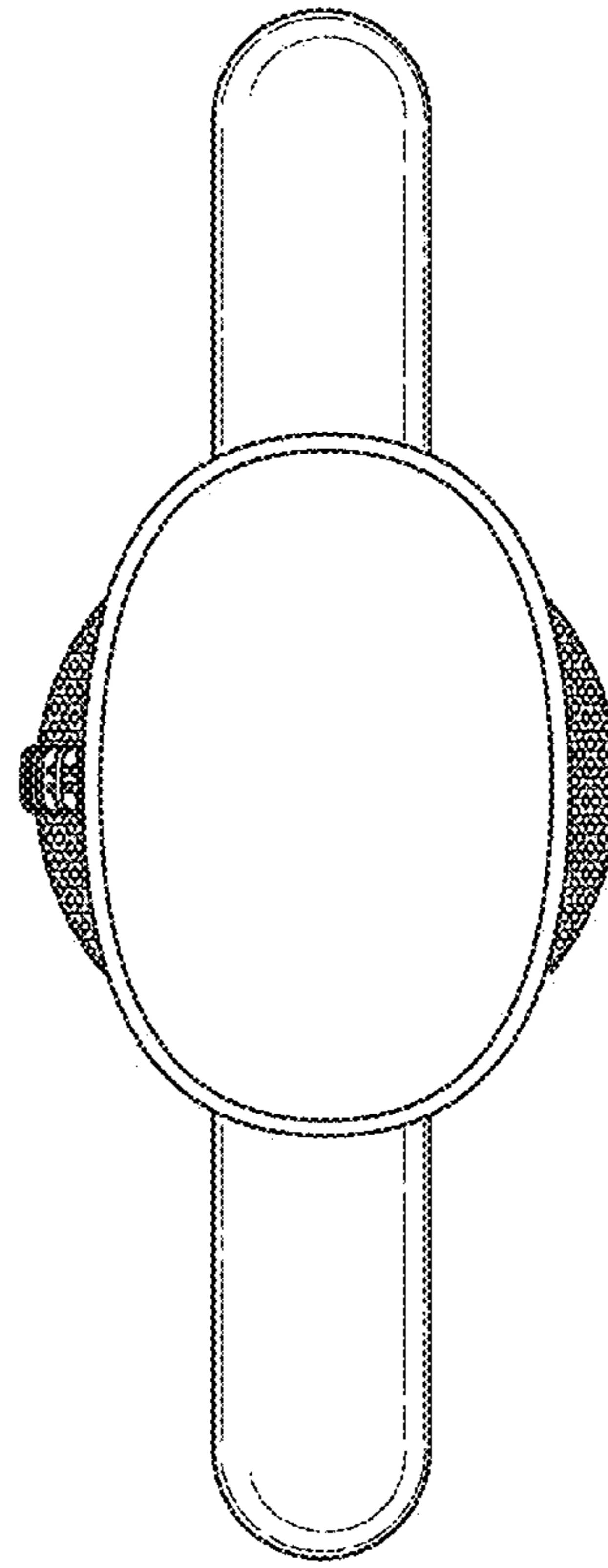


Fig. 14