



US00D956476S

(12) **United States Design Patent** (10) **Patent No.:** **US D956,476 S**  
**Schaller** (45) **Date of Patent:** **\*\* Jul. 5, 2022**

(54) **WATER BOTTLE**  
(71) Applicant: **BUOY LLC**, Los Angeles, CA (US)  
(72) Inventor: **Pascal Schaller**, Palma de Mallorca (ES)  
(73) Assignee: **BUOY, LLC**, Los Angeles, CA (US)  
(\*\*) Term: **15 Years**  
(21) Appl. No.: **29/749,364**  
(22) Filed: **Sep. 4, 2020**  
(51) **LOC (13) Cl.** ..... **07-01**  
(52) **U.S. Cl.**  
USPC ..... **D7/511**  
(58) **Field of Classification Search**  
USPC ..... D7/300, 313, 316, 507, 509, 510, 511,  
D7/602, 605, 608, 619.1, 622; D9/443,  
D9/449, 450, 500, 502, 505, 520, 528,  
D9/531, 537, 538, 540, 549, 560, 570  
CPC ..... A45F 3/16; A45F 2200/0583; A47G  
19/2205; A47G 23/16; A47G 19/2272;  
A47G 19/2288; A47G 19/23; A47J 41/00;  
A47J 43/00; A47J 47/00; A47J 47/02;  
A47J 47/08; B65D 1/265; B65D 3/22;  
B65D 47/122; B65D 81/3453; B65D  
81/3865; B65D 2205/00  
See application file for complete search history.

D647,407 S \* 10/2011 Toh ..... D9/688  
D662,360 S \* 6/2012 George ..... D7/510  
D724,385 S \* 3/2015 Hurley ..... D7/511  
D804,906 S \* 12/2017 Diener ..... D7/532  
D806,568 S \* 1/2018 Chen ..... D9/504  
D830,784 S \* 10/2018 Moore ..... D7/608  
10,251,468 B1 \* 4/2019 Moore ..... B65D 23/0885  
D851,996 S \* 6/2019 Umholtz ..... D9/503  
D860,719 S \* 9/2019 Eyal ..... D7/392.1  
D866,270 S \* 11/2019 Campbell ..... B65D 81/02  
D7/605  
10,464,712 B2 \* 11/2019 Campbell ..... A47G 23/0241  
D877,571 S \* 3/2020 Eyal ..... D7/532  
D878,863 S \* 3/2020 Ke ..... D7/532  
D906,119 S \* 12/2020 Komai ..... D28/76  
D927,306 S \* 8/2021 Chupak ..... D9/500  
2013/0153591 A1 \* 6/2013 Grimes ..... B65H 75/406  
220/735  
2016/0003615 A1 \* 1/2016 Biswas ..... G16H 20/60  
702/151  
2017/0007010 A1 \* 1/2017 Dybvig ..... B65D 39/16  
2019/0375548 A1 \* 12/2019 Campbell ..... B65D 23/0885

\* cited by examiner

*Primary Examiner* — Joseph Kukella  
*Assistant Examiner* — Darryl J Dardenne  
(74) *Attorney, Agent, or Firm* — Manuel de la Cerra

(57) **CLAIM**

The ornamental design for a water bottle, as shown and described.

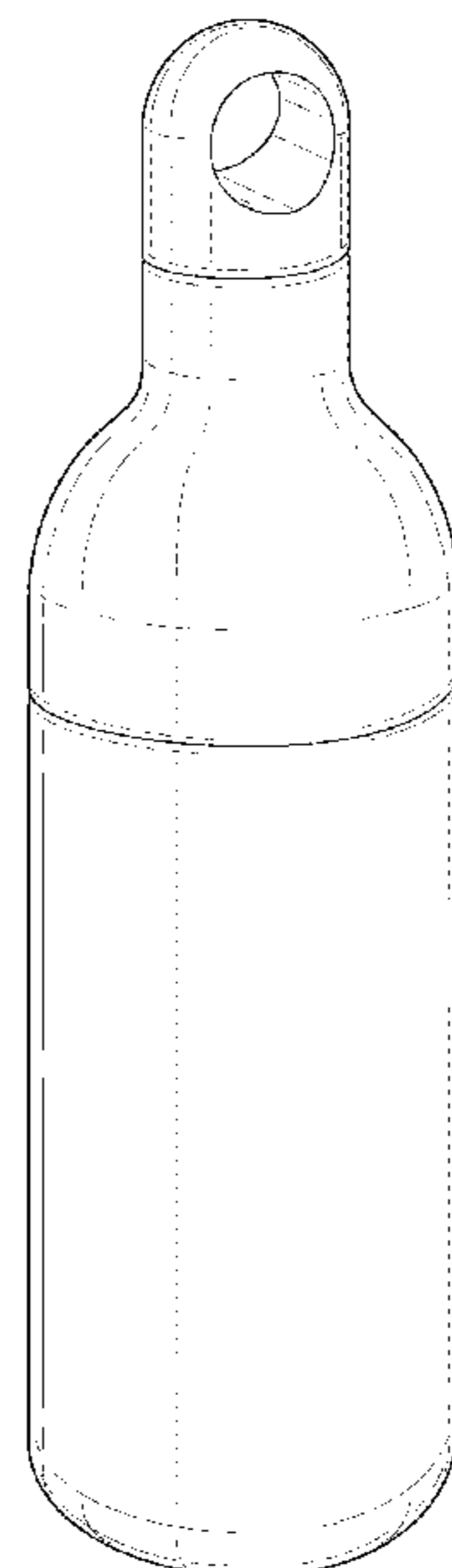
**DESCRIPTION**

FIG. 1 is a perspective view of a water bottle.  
FIG. 2 is a front view thereof (rear view being a mirror image thereof).  
FIG. 3 is a left-side view thereof (right-side view being a mirror image thereof).  
FIG. 4 is a top view thereof; and,  
FIG. 5 is a bottom view thereof.

**1 Claim, 4 Drawing Sheets**

(56) **References Cited**  
U.S. PATENT DOCUMENTS

D422,503 S \* 4/2000 Lehn ..... D9/503  
D601,311 S \* 9/2009 DeSeguirant, Jr. .... D9/446  
D627,601 S \* 11/2010 Eyal ..... D9/503  
D628,486 S \* 12/2010 Lane ..... D9/503  
D632,524 S \* 2/2011 Rosbach ..... D9/503  
D633,338 S \* 3/2011 Rosbach ..... D9/503  
D635,457 S \* 4/2011 Lane ..... D9/503



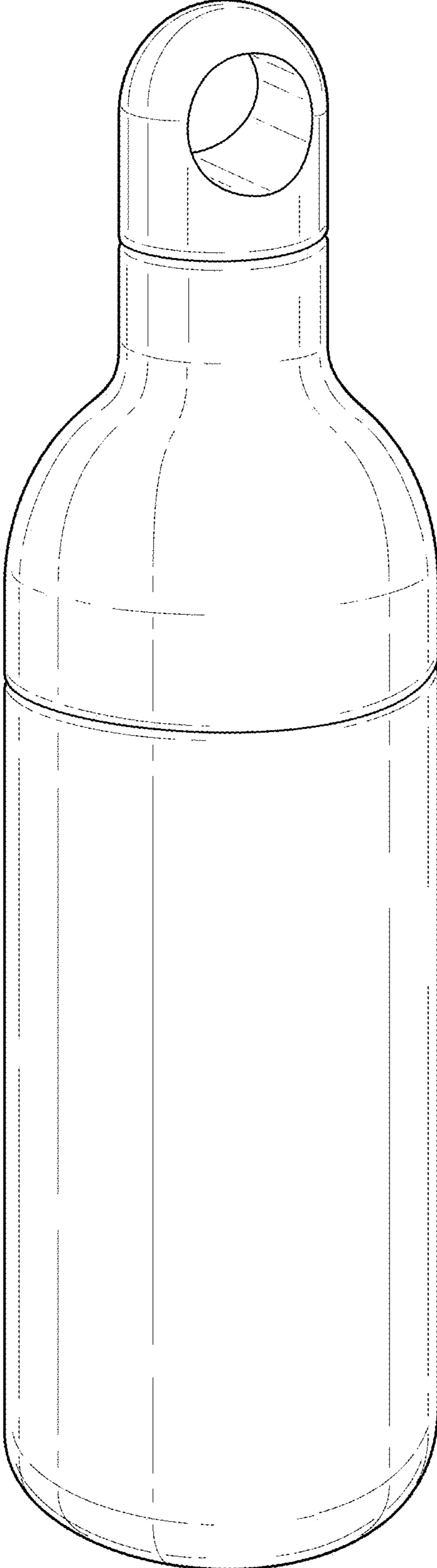


FIG. 1

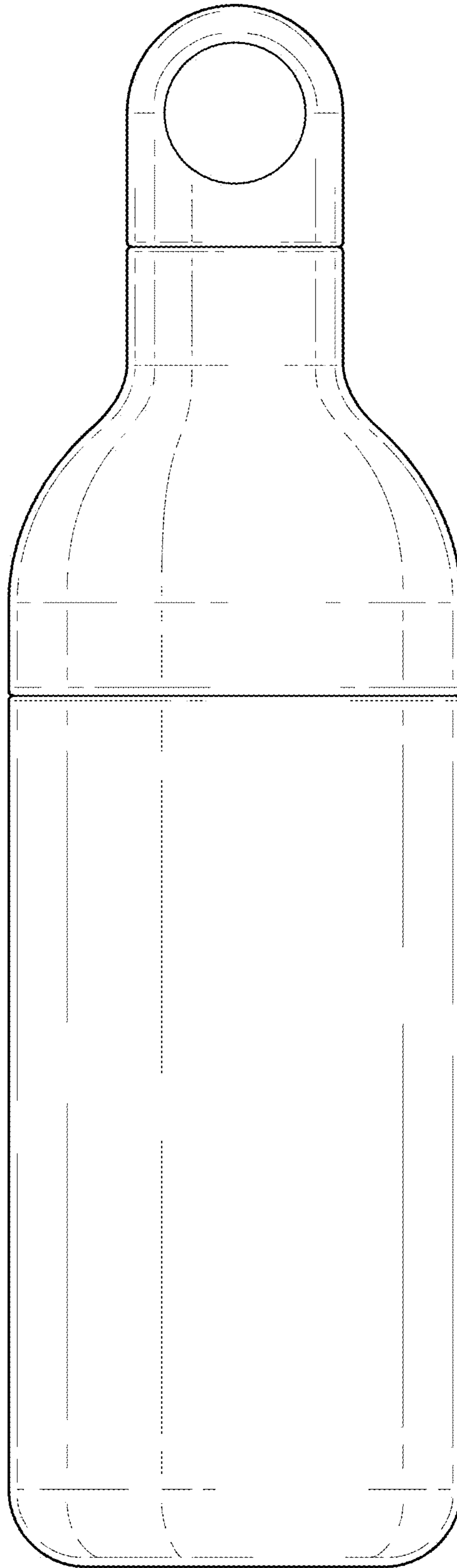


FIG. 2

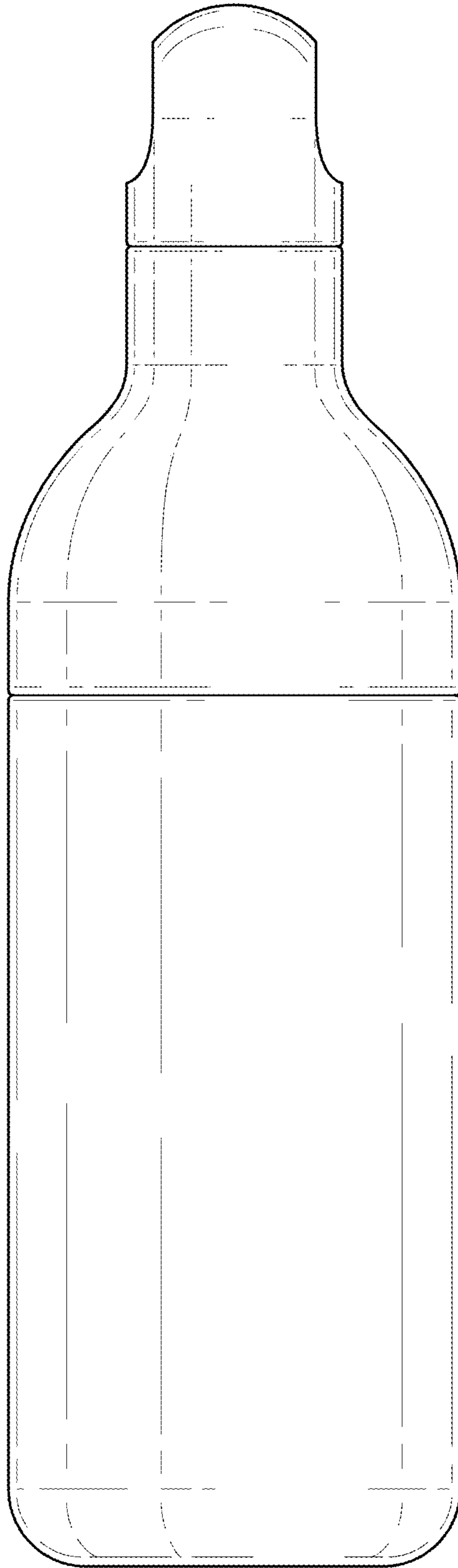


FIG. 3

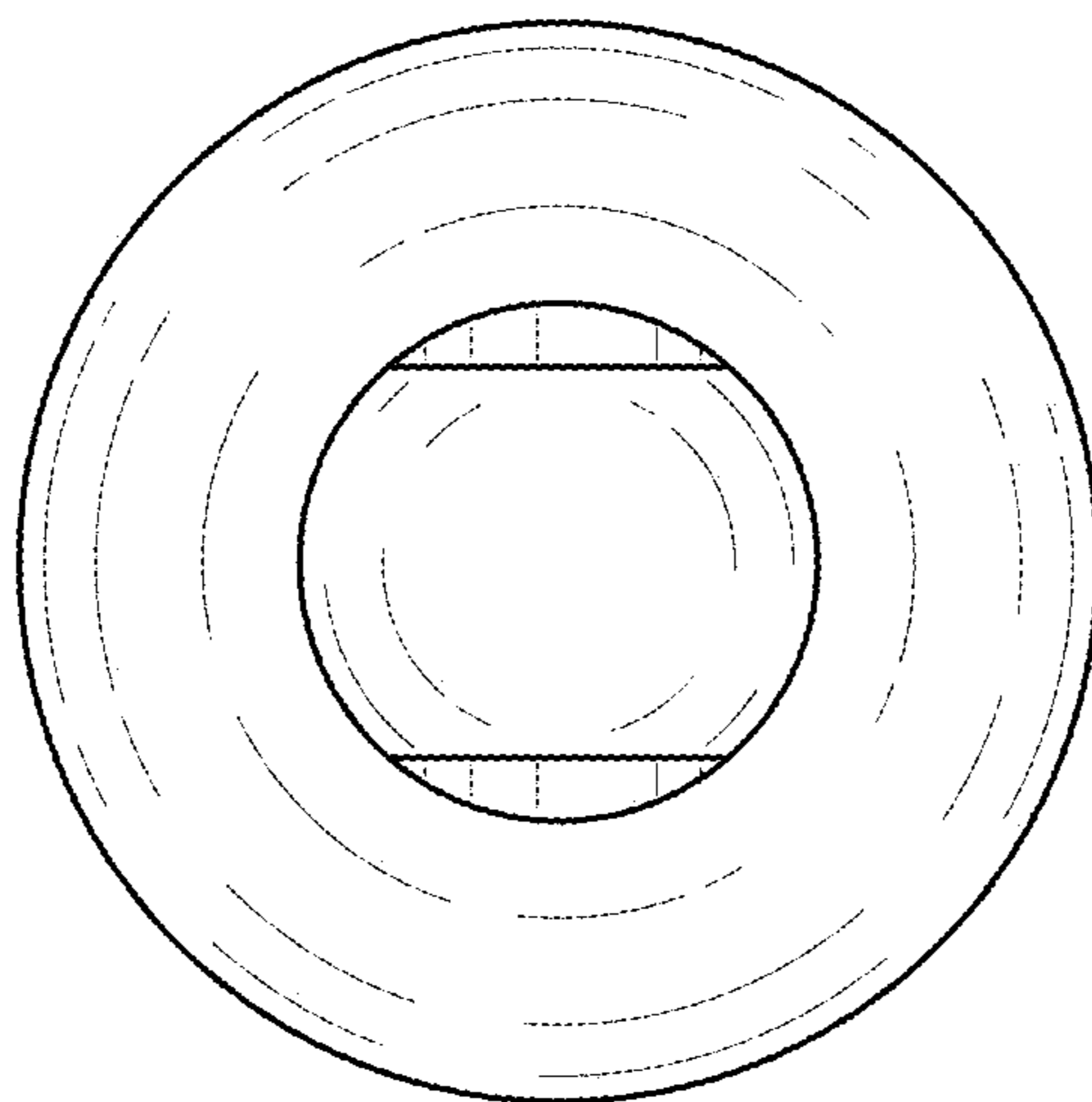


FIG. 4

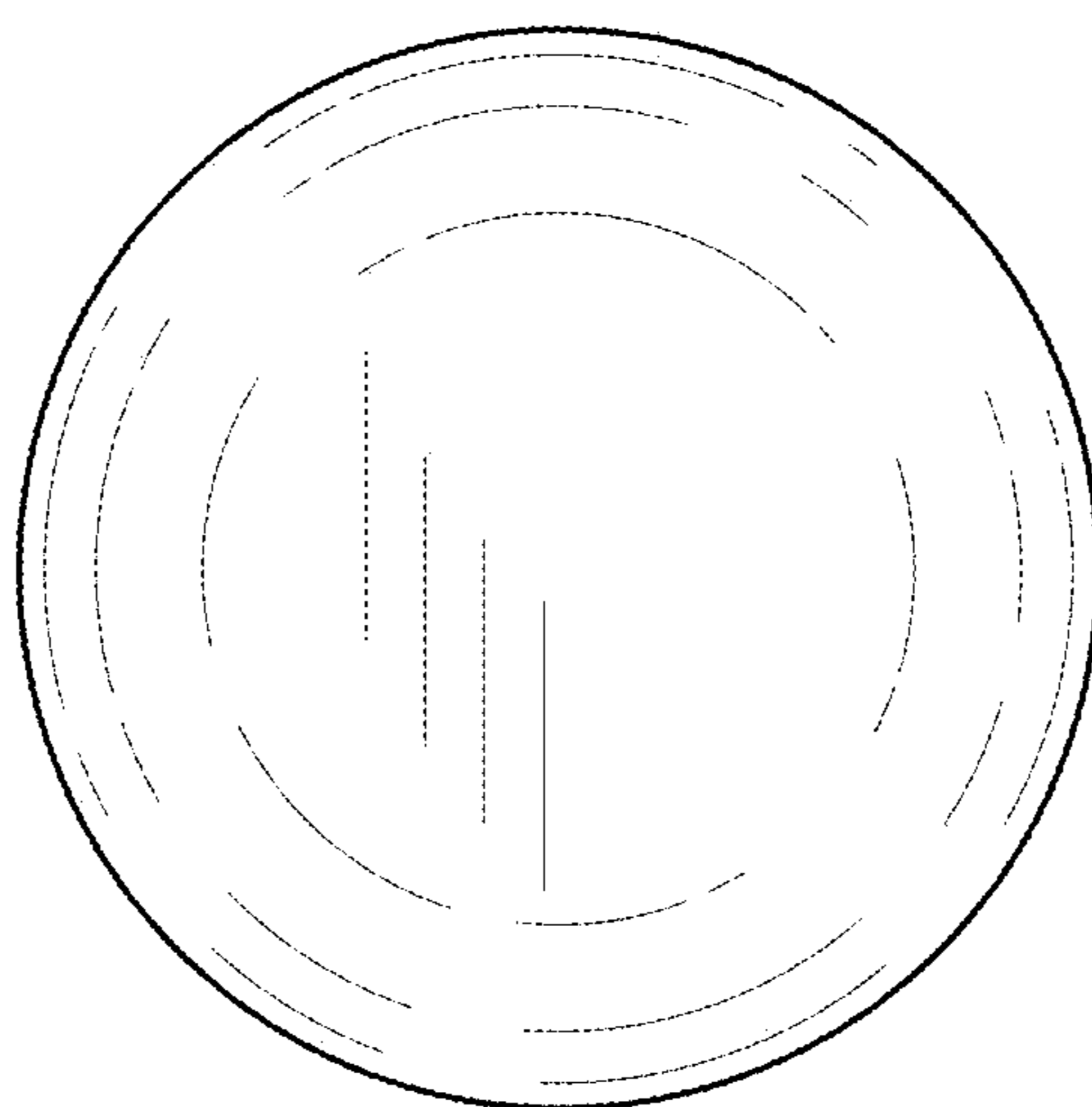


FIG. 5