



US00D956475S

(12) **United States Design Patent** (10) **Patent No.:** **US D956,475 S**
Backs et al. (45) **Date of Patent:** **** Jul. 5, 2022**

- (54) **BEVERAGE CONTAINER CLOSURE AND CONTAINER SET**
- (71) Applicant: **CamelBak Products, LLC**, Petaluma, CA (US)
- (72) Inventors: **Jochen Backs**, Mill Valley, CA (US); **Kaydee Boone**, Rohnert Park, CA (US)
- (73) Assignee: **CAMELBAK PRODUCTS, LLC**, Petaluma, CA (US)
- (**) Term: **15 Years**
- (21) Appl. No.: **29/744,056**
- (22) Filed: **Jul. 27, 2020**

Related U.S. Application Data

- (63) Continuation of application No. 29/728,297, filed on Mar. 17, 2020, now Pat. No. Des. 893,942, which is (Continued)
- (51) **LOC (13) Cl.** **07-01**
- (52) **U.S. Cl.**
USPC **D7/510**
- (58) **Field of Classification Search**
USPC D7/510, 511, 392, 392.1, 629; D9/435, D9/447, 449, 454
(Continued)

References Cited

U.S. PATENT DOCUMENTS

- D353,772 S * 12/1994 Dunning D7/510
 - D596,455 S * 7/2009 Laib D7/392.1
- (Continued)

FOREIGN PATENT DOCUMENTS

CN 305417760 * 11/2019

Primary Examiner — S. Bryan Reinholdt, Jr.
(74) *Attorney, Agent, or Firm* — Amardeep S. Grewal; Gerard M. Donovan; Reed Smith LLP

(57) **CLAIM**

The ornamental design for a beverage container closure and container set, as shown and described.

DESCRIPTION

FIG. 1 is a perspective view of a beverage container closure and container set showing the design.

FIG. 2 is a side elevation view of the beverage container closure and container set of FIG. 1.

FIG. 3 is another side elevation view of the beverage container closure and container set of FIG. 1.

FIG. 4 is another side elevation view of the beverage container closure and container set of FIG. 1.

FIG. 5 is another side elevation view of the beverage container closure and container set of FIG. 1.

FIG. 6 is a top plan view of the beverage container closure and container set of FIG. 1.

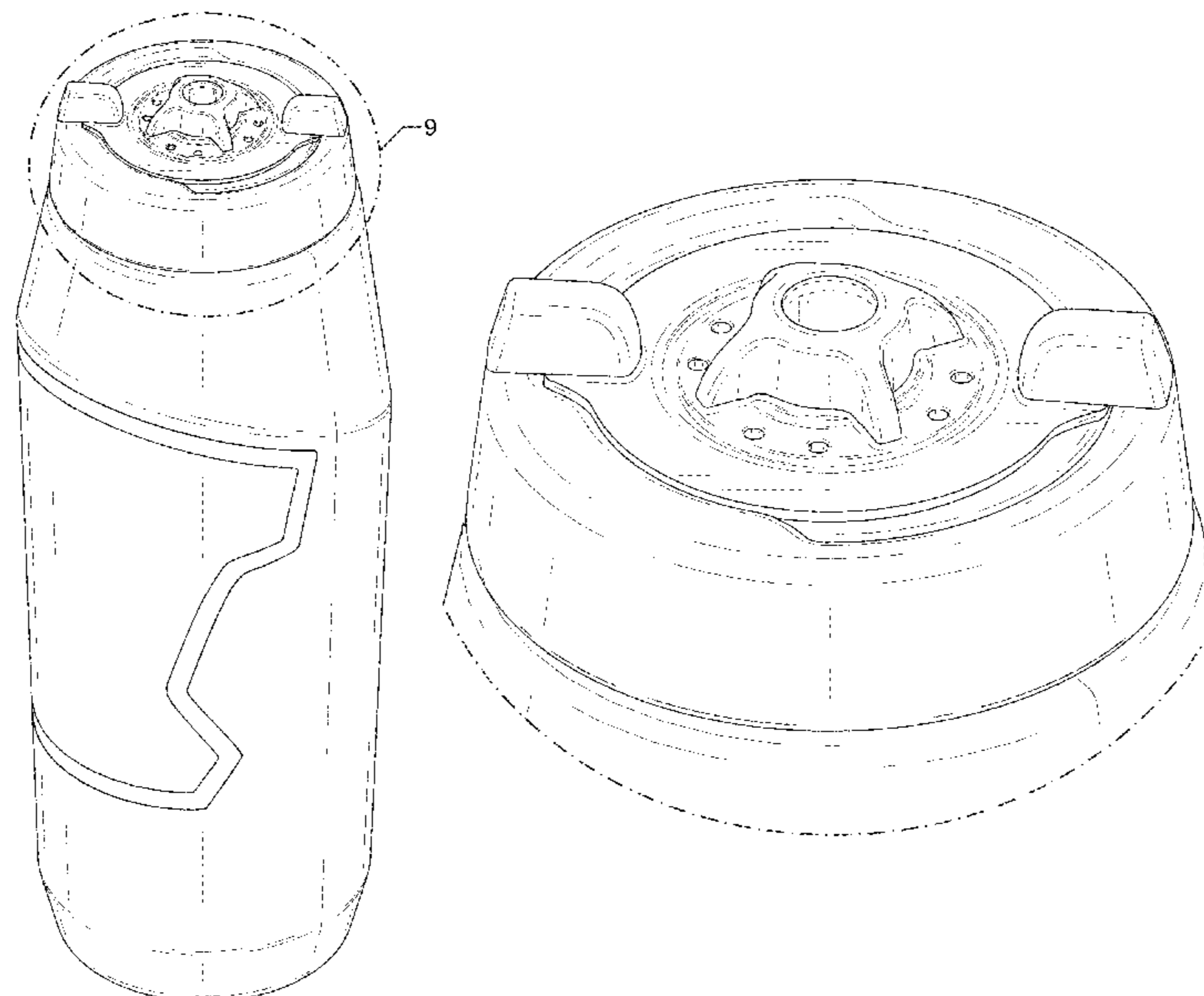
FIG. 7 is a bottom plan view of the beverage container closure and container set of FIG. 1.

FIG. 8 is another perspective view of the beverage container closure and container set of FIG. 1; and,

FIG. 9 is an enlarged perspective view of the upper portion the beverage container closure and container set of FIG. 1. The dashed lines shown in the drawings illustrate portions of the beverage container closure and container set that are not presently claimed and thus form no part of the presently claimed design. The shading lines shown in the drawings represent the approximate three-dimensional contour of the claimed design and are not intended to indicate surface decoration.

The dot-dash-dot broken lines in FIGS. 1 and 9 depict the boundaries of the enlargement and form no part of the claimed design.

1 Claim, 6 Drawing Sheets



Related U.S. Application Data

a continuation of application No. 29/653,837, filed on Jun. 19, 2018, now Pat. No. Des. 881,639.

(58) **Field of Classification Search**

CPC A47G 21/18; A61J 7/0038; B65D 2517/0049; B65D 2543/00046

See application file for complete search history.

(56) **References Cited**

U.S. PATENT DOCUMENTS

D596,487 S * 7/2009 Batton D9/447
 D622,545 S * 8/2010 Wahl D7/510
 D633,791 S * 3/2011 Kunishige D9/447
 D654,763 S * 2/2012 George D7/510
 D656,361 S * 3/2012 Gilbert D7/536
 D686,074 S * 7/2013 Brinckerhoff D9/447
 D690,556 S * 10/2013 Boroski D7/510

D715,147 S * 10/2014 Ginzburg D9/449
 D749,416 S * 2/2016 Herbst D9/447
 D752,435 S * 3/2016 Willows D9/447
 D760,542 S * 7/2016 Vu D7/511
 D771,490 S * 11/2016 Junkel D9/447
 D774,357 S * 12/2016 Palin D7/510
 D774,359 S * 12/2016 Boroski D7/529
 D795,012 S * 8/2017 Rummel D7/510
 D810,510 S * 2/2018 Serruya D7/511
 D830,767 S * 10/2018 Gordon D7/392.1
 D833,832 S * 11/2018 Spivey D7/608
 D846,354 S * 4/2019 Omdahl, II D7/510
 D876,895 S * 3/2020 McCready D7/510
 D881,639 S * 4/2020 Backs D7/392.1
 D887,204 S * 6/2020 Palin D7/396.2
 D893,942 S * 8/2020 Backs D7/396.2
 D895,369 S * 9/2020 Backs D7/529
 D907,955 S * 1/2021 Massucco D7/392.1
 2021/0300639 A1 * 9/2021 Aneiros B65D 51/242

* cited by examiner

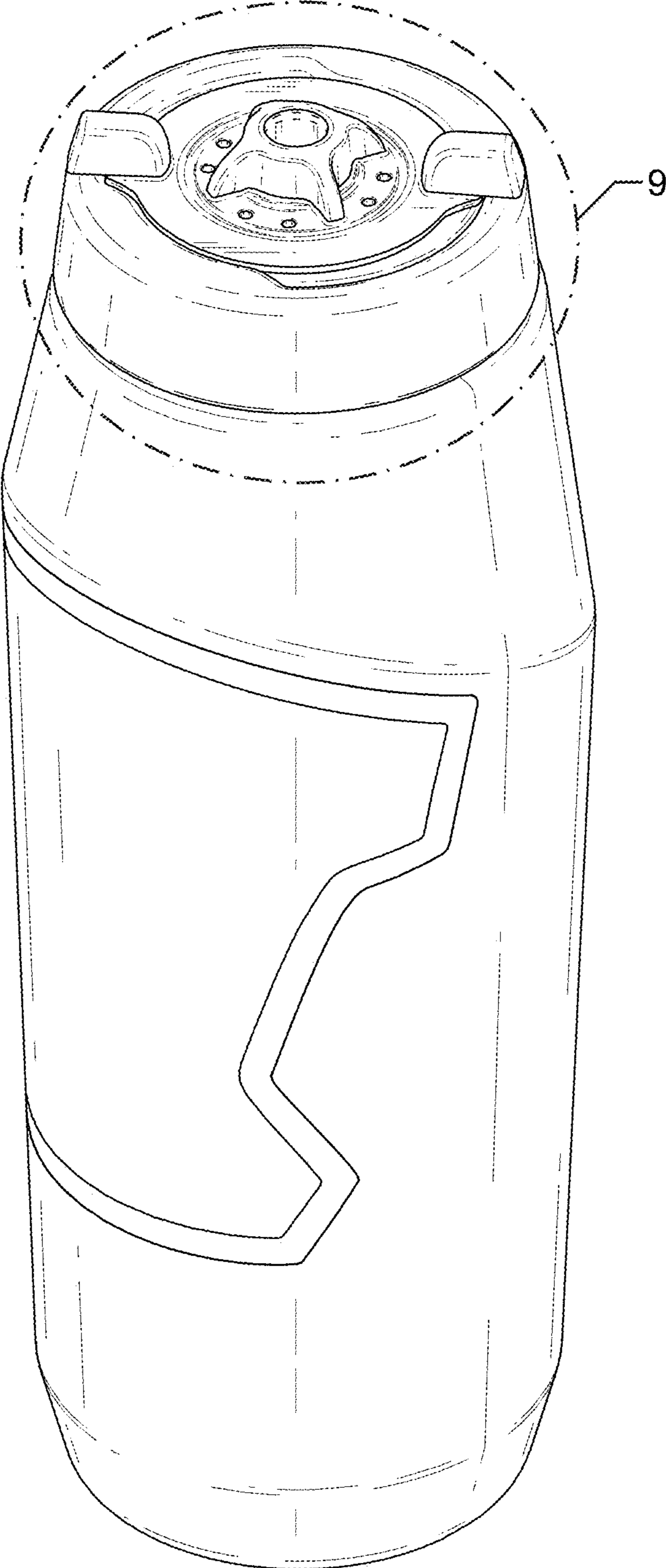


FIG. 1

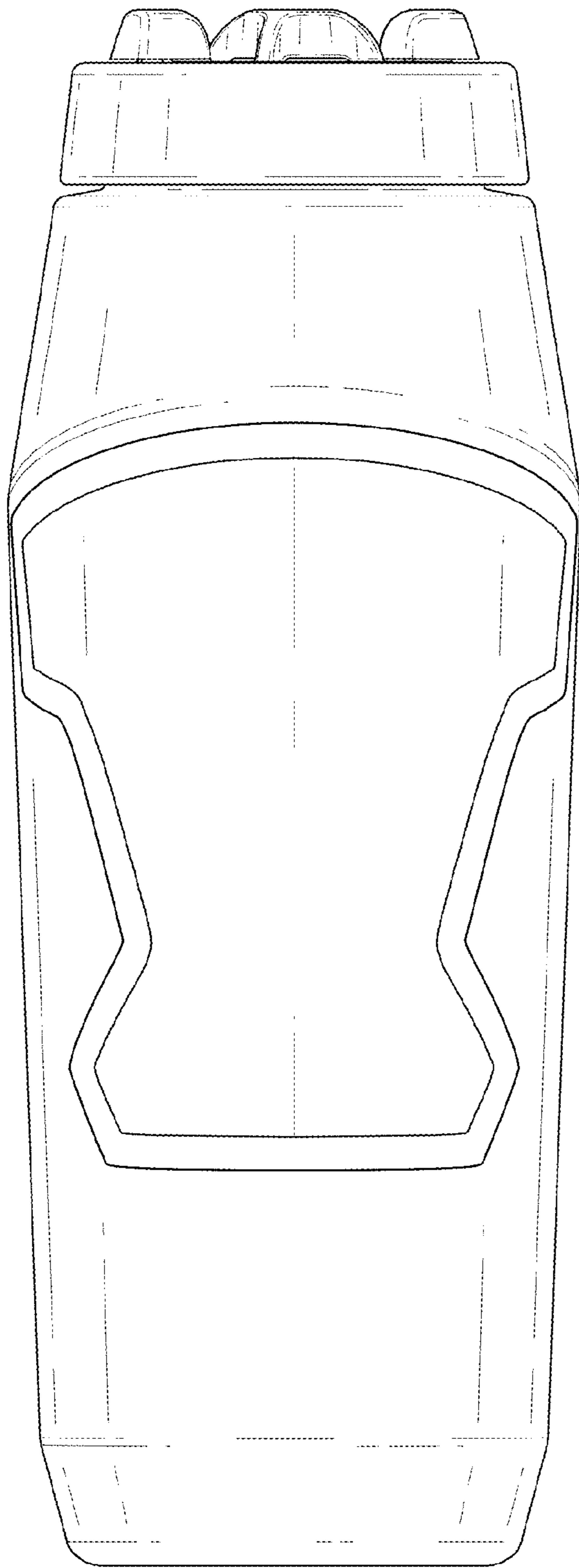


FIG. 2

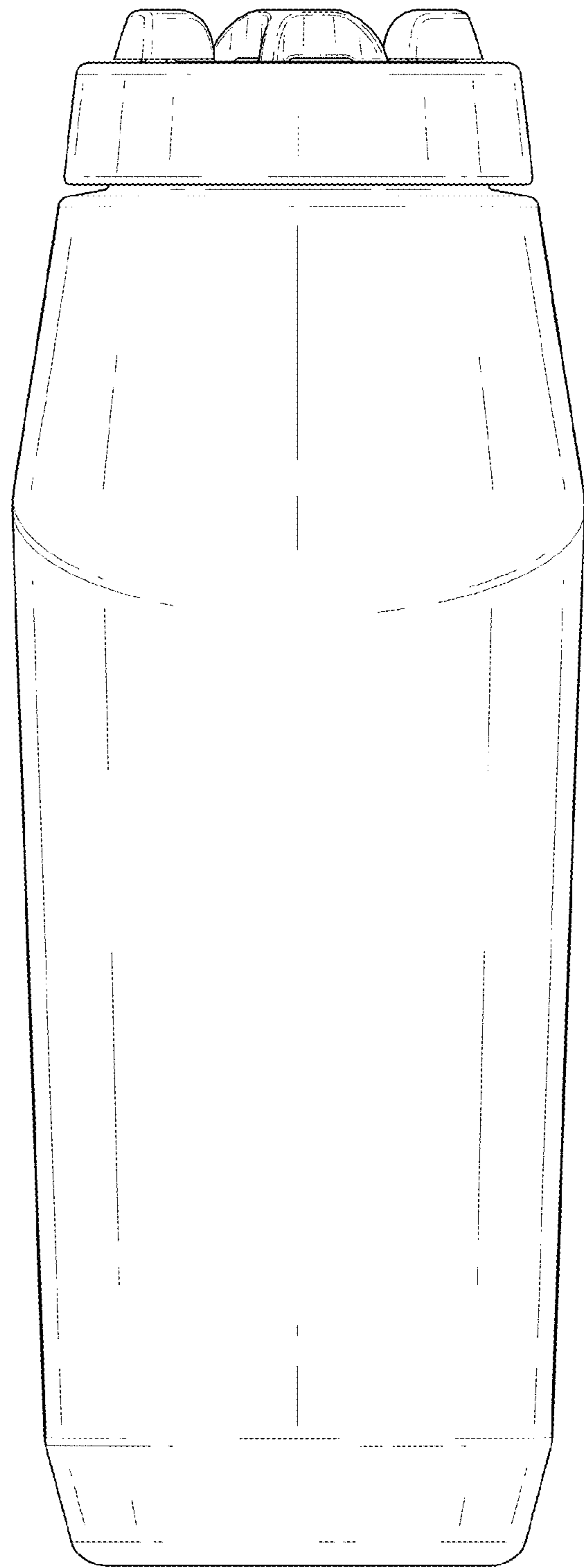


FIG. 3

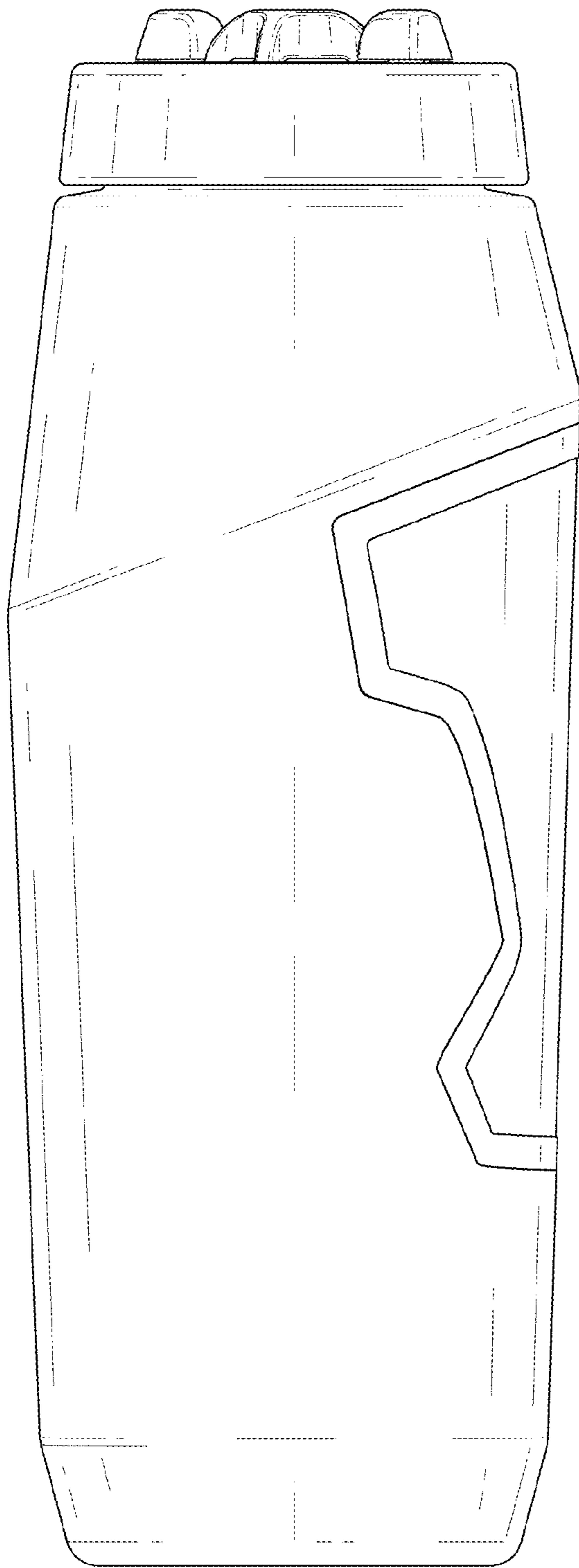


FIG. 4

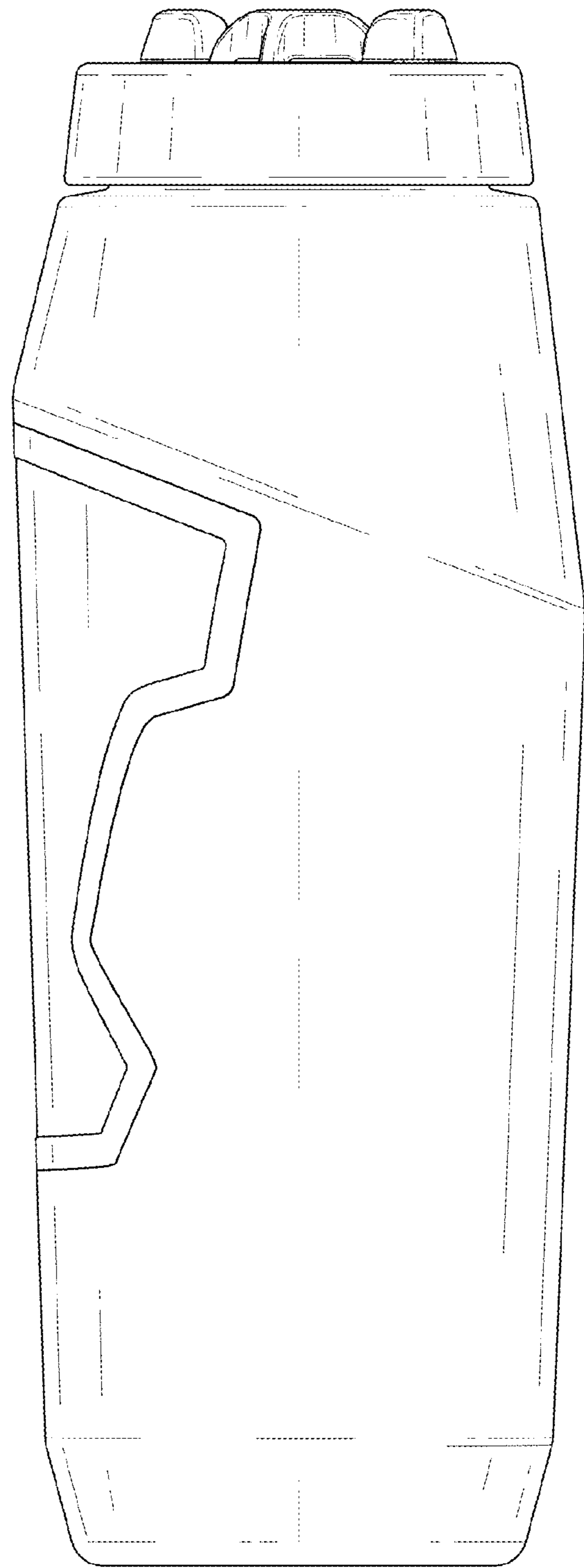


FIG. 5

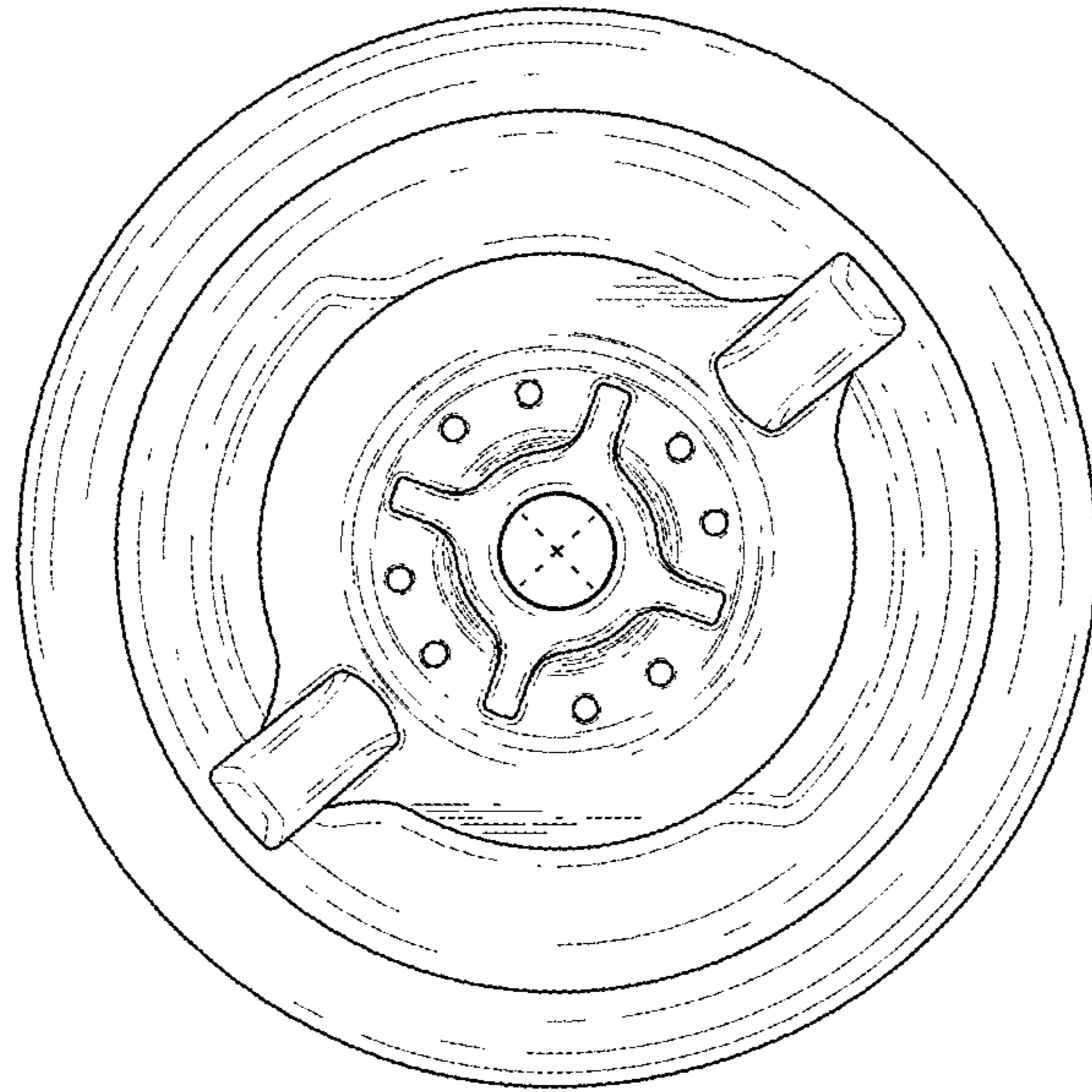


FIG. 6

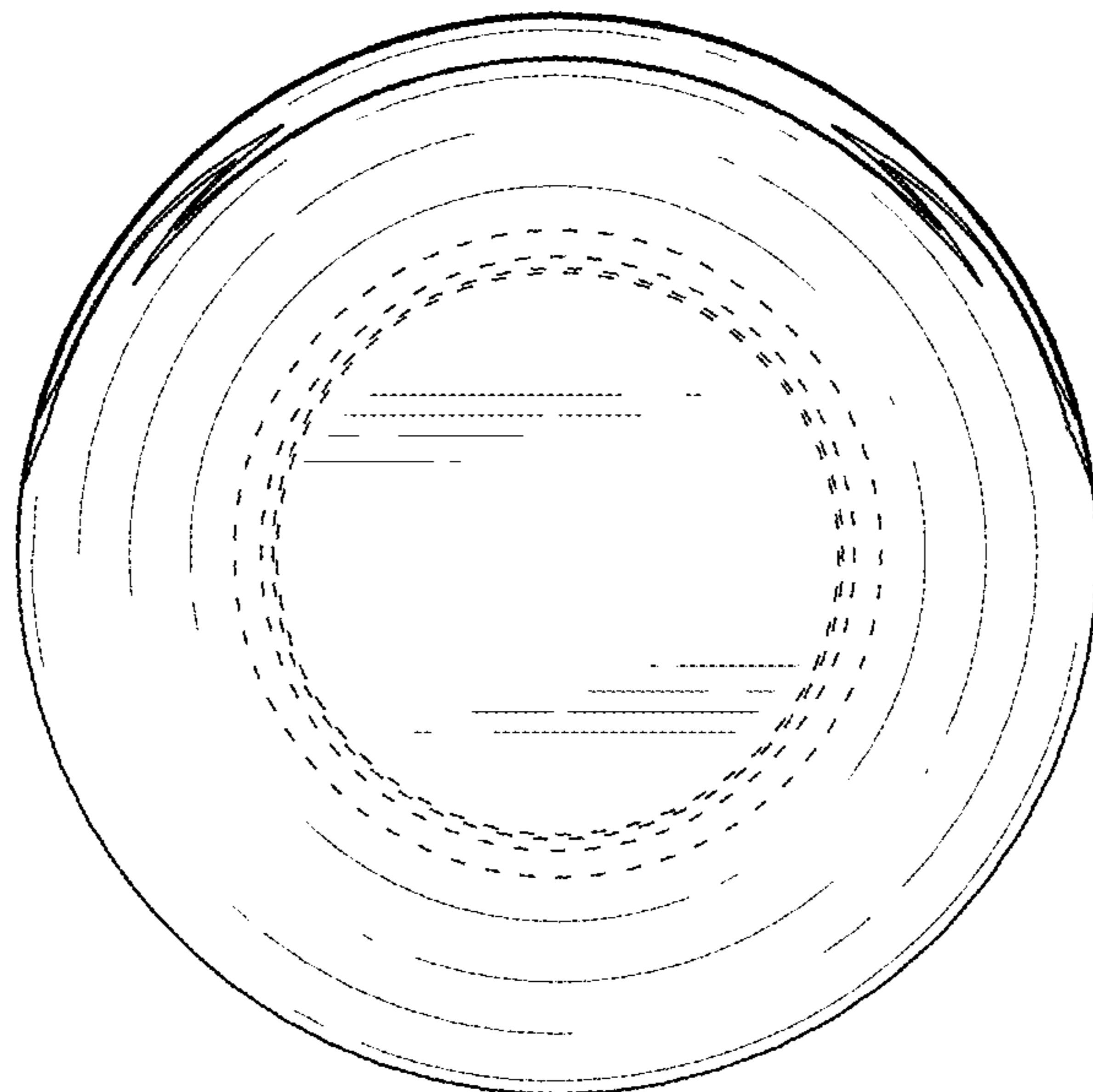


FIG. 7

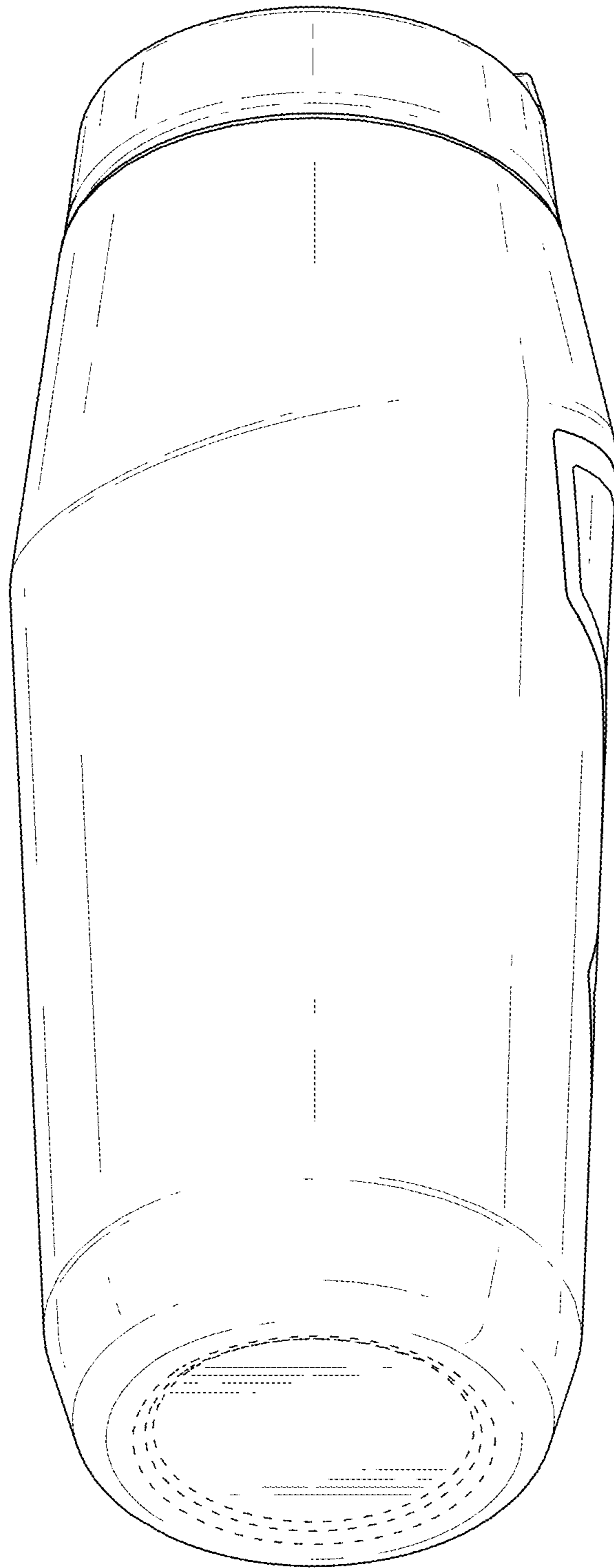


FIG. 8

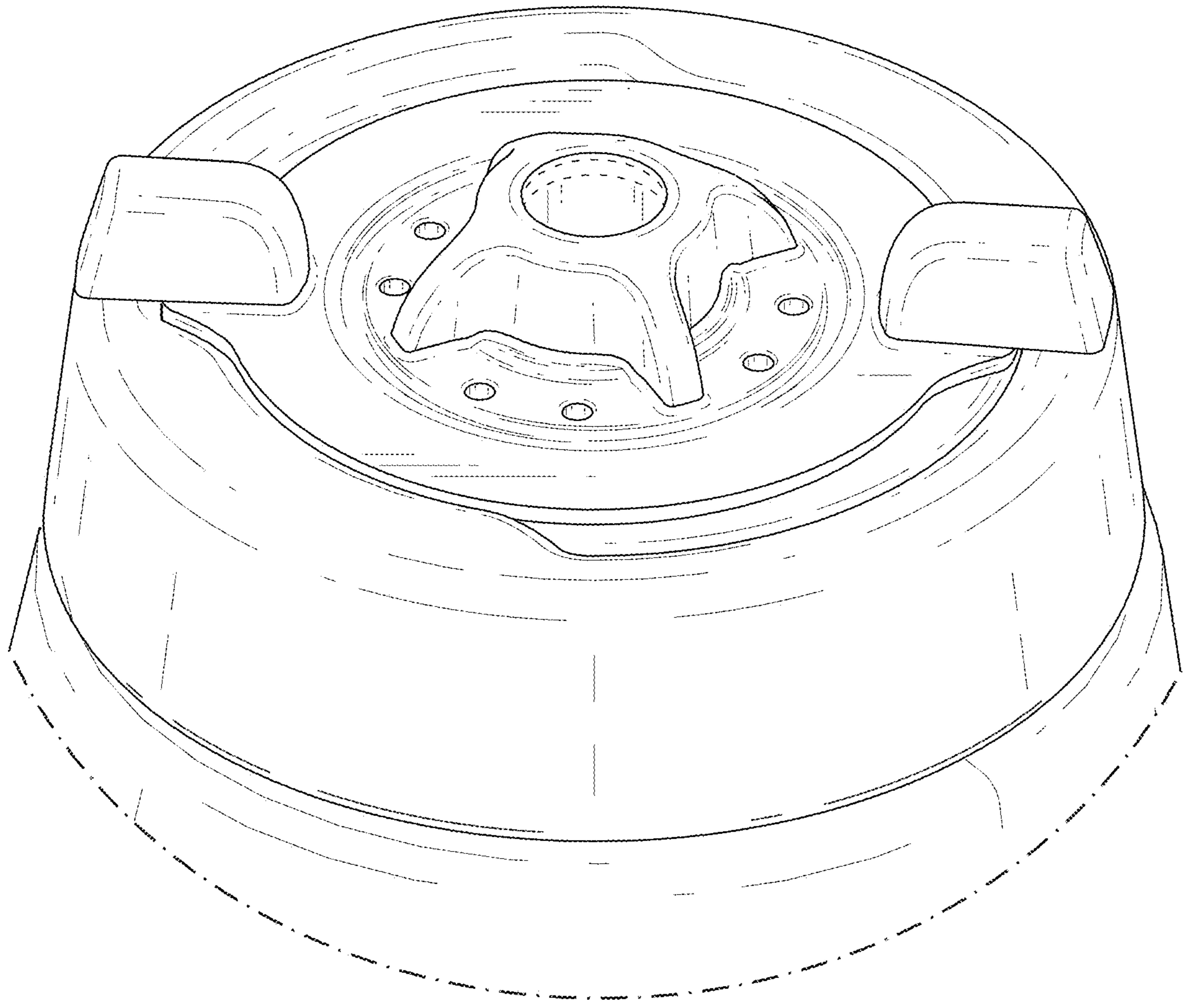


FIG. 9