



US00D956473S

(12) **United States Design Patent** (10) **Patent No.:** **US D956,473 S**
Peterson et al. (45) **Date of Patent:** **** Jul. 5, 2022**

(54) **BAKEWARE HANDLE**

(71) Applicant: **Lodge Manufacturing Company**,
South Pittsburg, TN (US)
(72) Inventors: **Kelly Peterson**, Chattanooga, TN (US);
Christopher Dorion, Elmhurst, IL (US)
(73) Assignee: **LODGE MANUFACTURING**
COMPANY, South Pittsburg, TN (US)
(**) Term: **15 Years**

(21) Appl. No.: **29/737,788**
(22) Filed: **Jun. 11, 2020**
(51) **LOC (13) Cl.** **07-02**
(52) **U.S. Cl.**
USPC **D7/394**
(58) **Field of Classification Search**
USPC D7/393-396, 387, 323, 354, 360-361,
D7/402, 533-536, 401.2, 398, 391, 619.1;
D8/300, 303, 307, 313, 321; D12/178;
D34/27
CPC A47J 45/071; A47J 45/072; A47J 45/074;
A47J 45/07; A47J 45/00; A47J 45/06;
A47J 45/061; A47J 45/062; A47J 45/063;
B65D 25/2802; B65D 25/2882
See application file for complete search history.

(56) **References Cited**

U.S. PATENT DOCUMENTS

| | | | | |
|--------------|--------|--------------|-------|--------|
| D348,178 S * | 6/1994 | Munari | | D7/393 |
| D496,557 S * | 9/2004 | Munari | | D7/394 |
| D576,446 S | 9/2008 | Rae | | |
| D643,675 S * | 8/2011 | Seymour | | D7/354 |
| D652,673 S | 1/2012 | Cheng et al. | | |
| D658,436 S | 5/2012 | Rae | | |
| D663,996 S | 7/2012 | Lee et al. | | |
| D683,582 S | 6/2013 | Rae | | |
| D728,998 S | 5/2015 | Barberi | | |

(Continued)

OTHER PUBLICATIONS

Lodge BW8LP 8.5x4.5 Inch Seasoned Cast Iron Loaf Pan, Amazon [online], date first available Jun. 10, 2021, [retrieved on Feb. 18, 2022]. Retrieved from the Internet, URL: <https://www.amazon.com/Lodge-BW8LP-Seasoned-8-5x4-5-Black/dp/B0971NWGPM>.*

Primary Examiner — Sheryl Lane

Assistant Examiner — Nicole C Shiflet

(74) *Attorney, Agent, or Firm* — Alleman Hall Creasman & Tuttle LLP

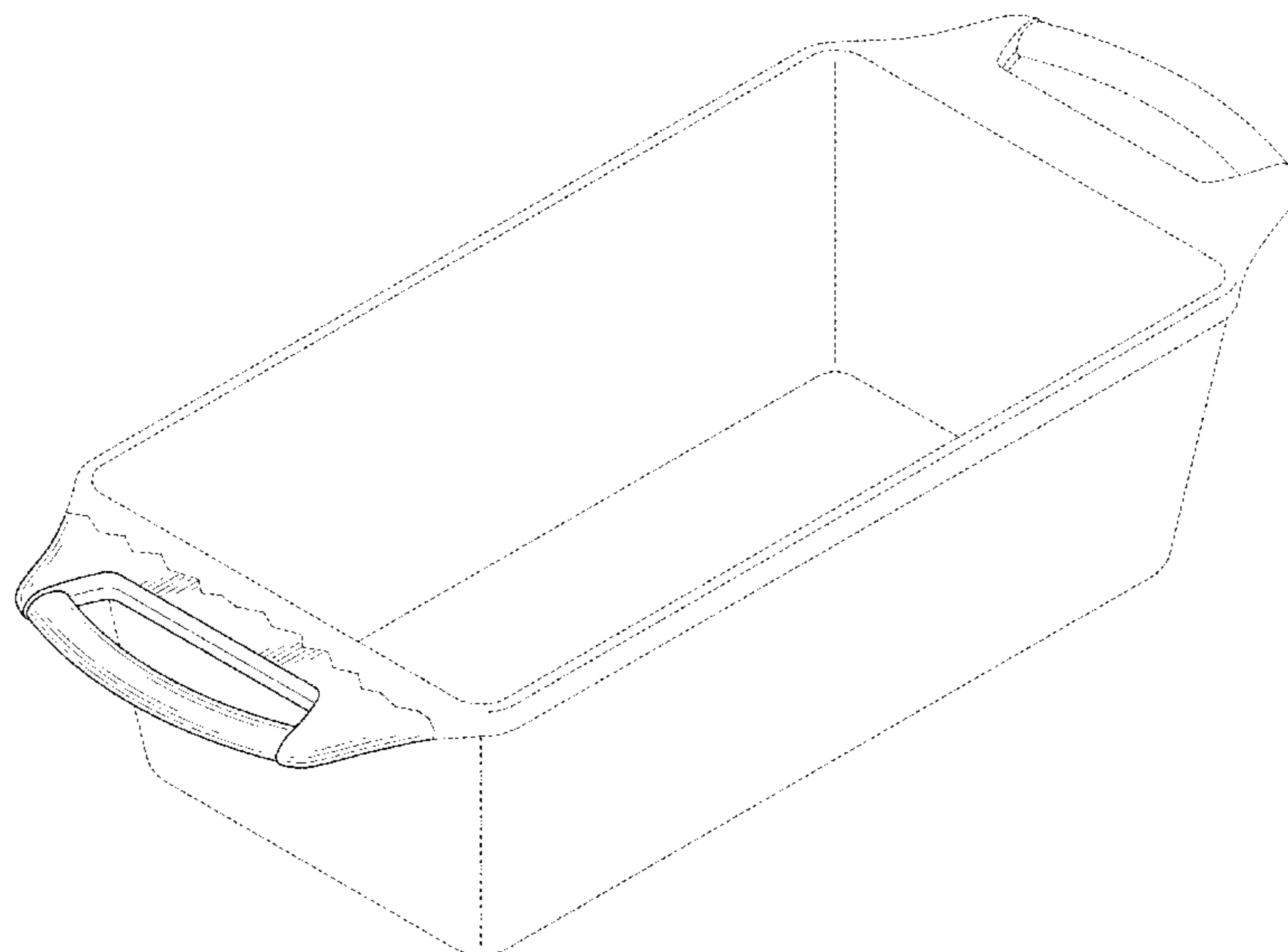
(57) **CLAIM**

The ornamental design for a bakeware handle, as shown and described.

DESCRIPTION

FIG. 1 is a top perspective view of a bakeware handle according to the present invention.
FIG. 2 is another top perspective view of the bakeware handle of FIG. 1.
FIG. 3 is a bottom perspective view of the bakeware handle of FIG. 1.
FIG. 4 is another bottom perspective view of the bakeware handle of FIG. 1.
FIG. 5 is a top plan view of the bakeware handle of FIG. 1.
FIG. 6 is a bottom plan view of the bakeware handle of FIG. 1.
FIG. 7 is an end elevational view of the bakeware handle of FIG. 1.
FIG. 8 is a left elevational view of the bakeware handle of FIG. 1; and,
FIG. 9 is a right elevational view of the bakeware handle of FIG. 1.
The broken lines immediately adjacent the shaded areas represent the bounds of the claimed design and all other broken lines are directed to environment and are for illustrative purposes only; none of the broken lines form part of the claimed design.

1 Claim, 5 Drawing Sheets



(56)

References Cited

U.S. PATENT DOCUMENTS

| | | | | | |
|------------|---|---------|--------|-------|--------|
| D822,435 S | * | 7/2018 | George | | D7/354 |
| D835,934 S | * | 12/2018 | Demers | | D7/354 |
| D835,935 S | * | 12/2018 | Demers | | D7/354 |
| D878,142 S | * | 3/2020 | Demers | | D7/354 |
| D919,351 S | * | 5/2021 | Dorion | | D7/354 |

* cited by examiner

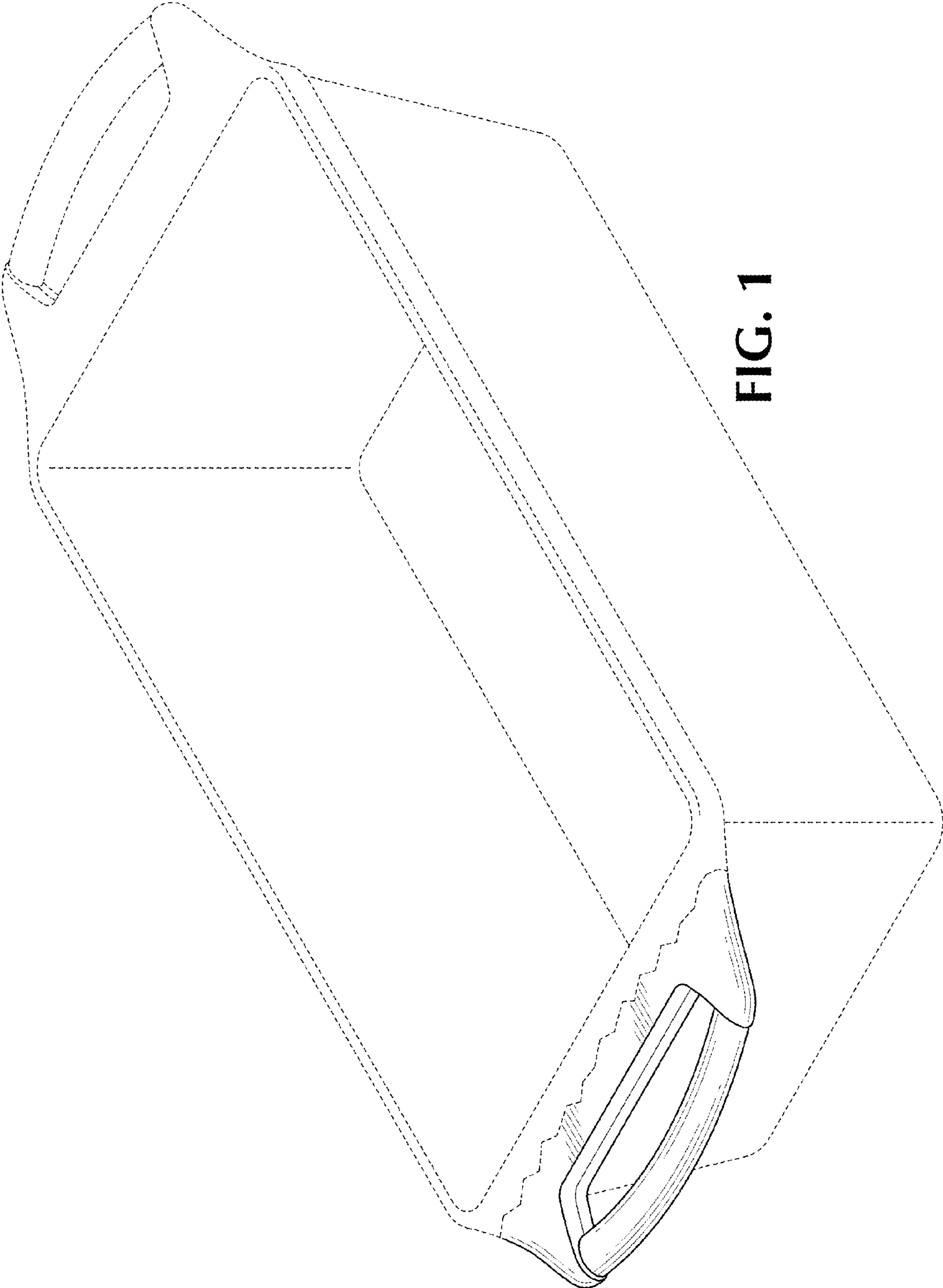


FIG. 1

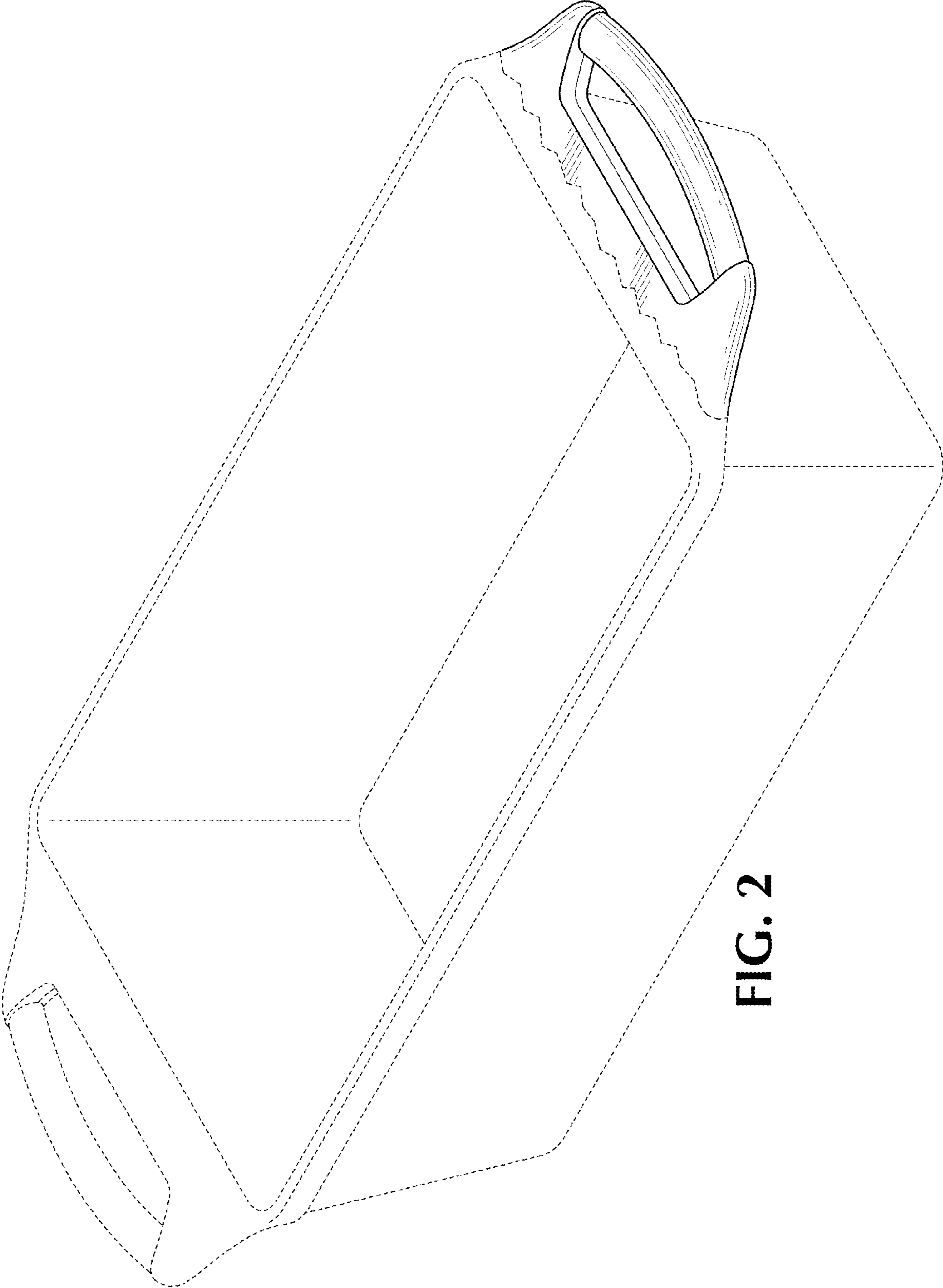


FIG. 2

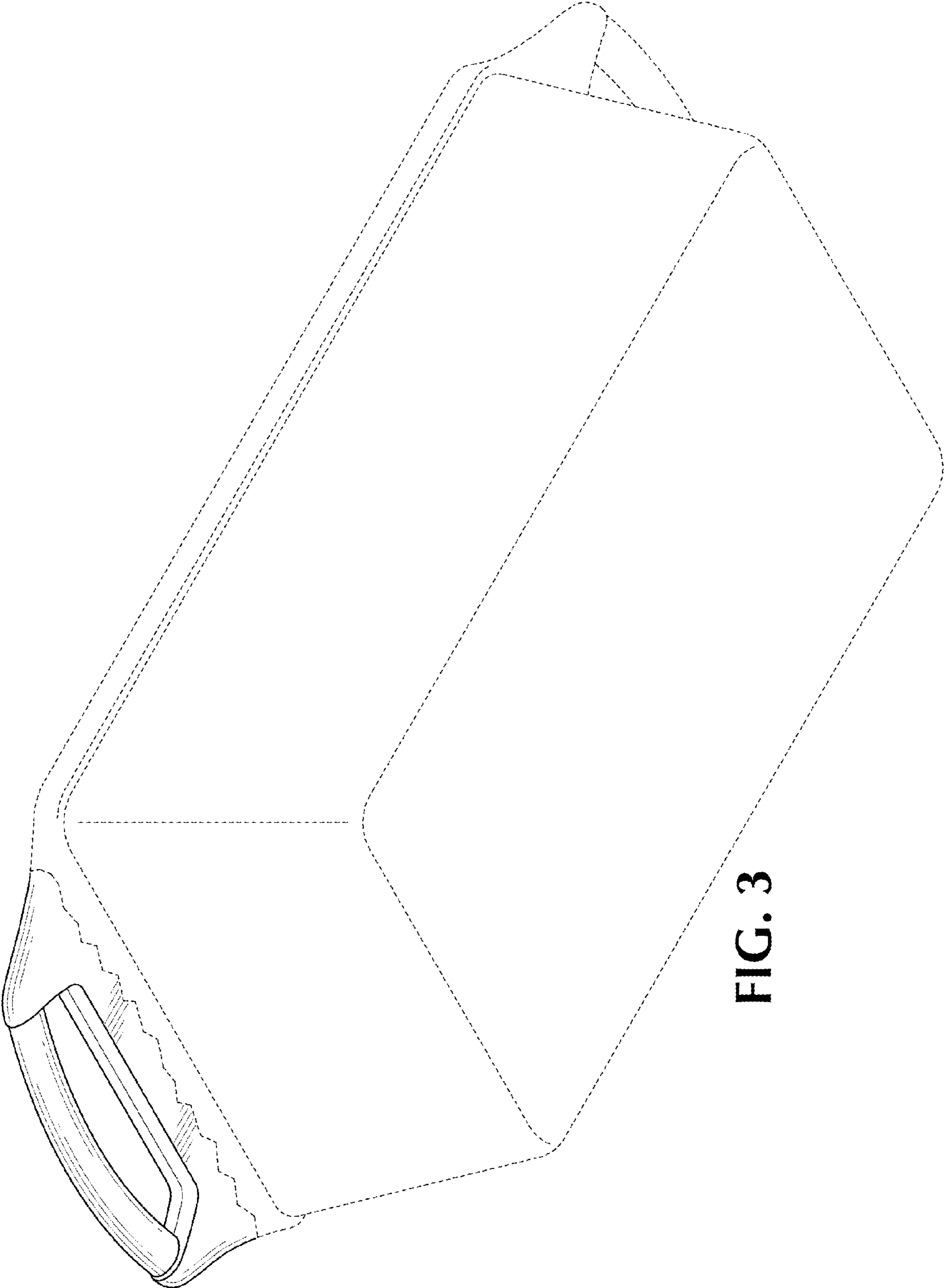


FIG. 3

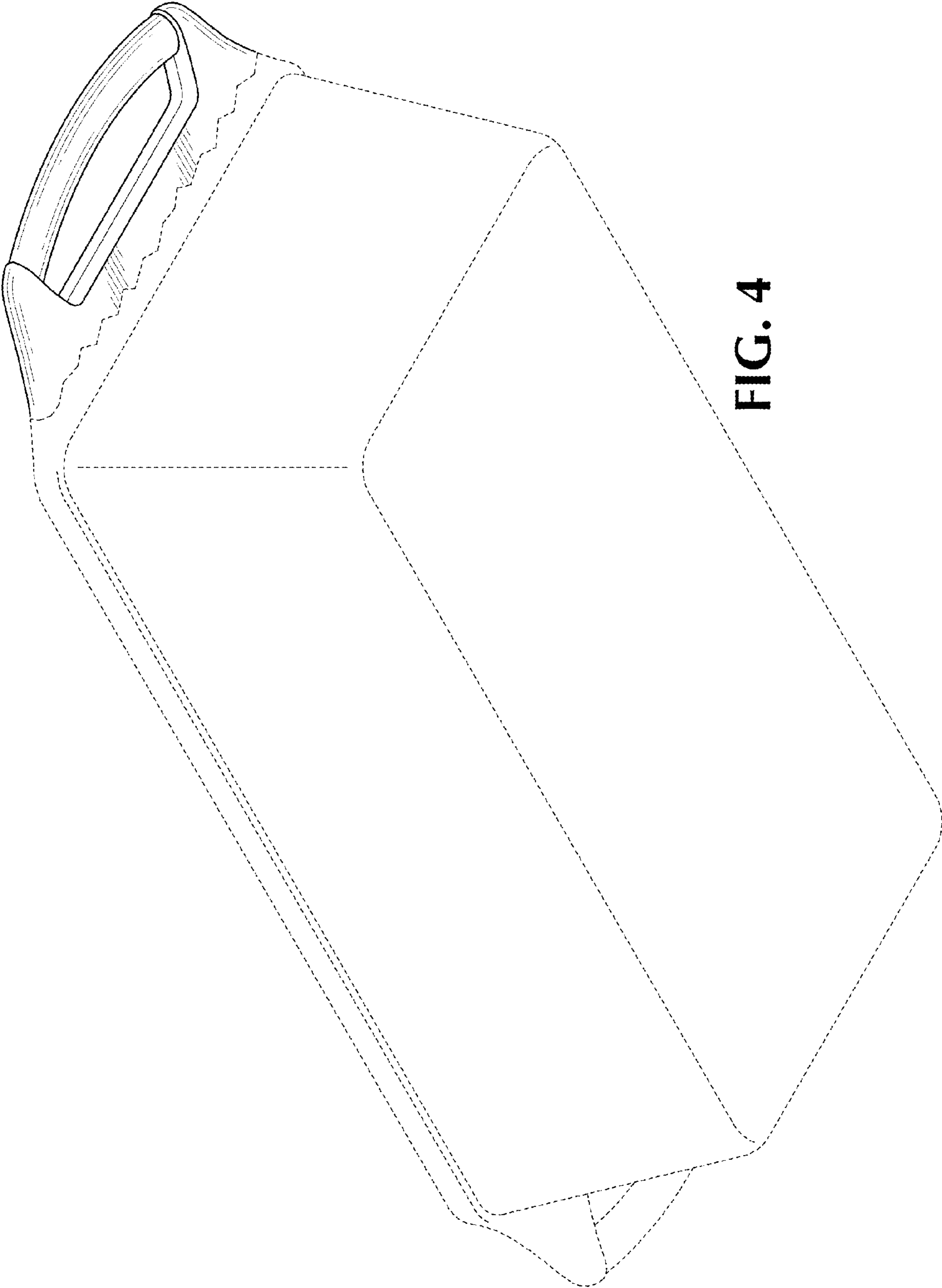


FIG. 4

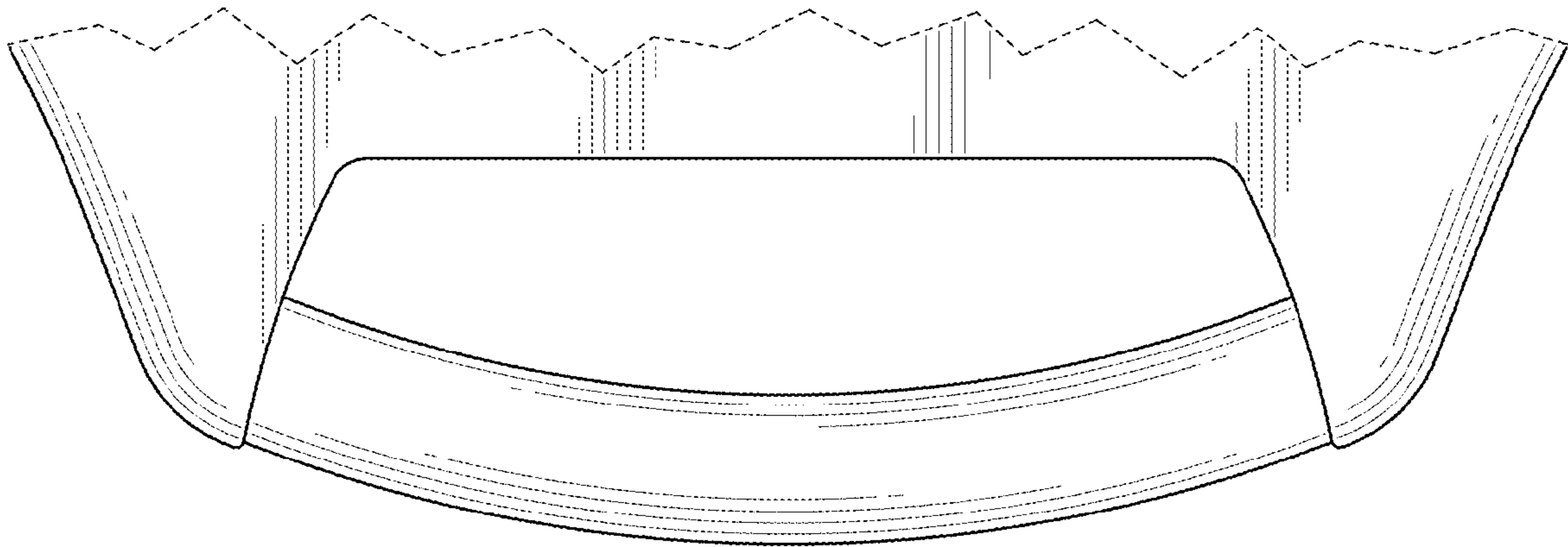


FIG. 5

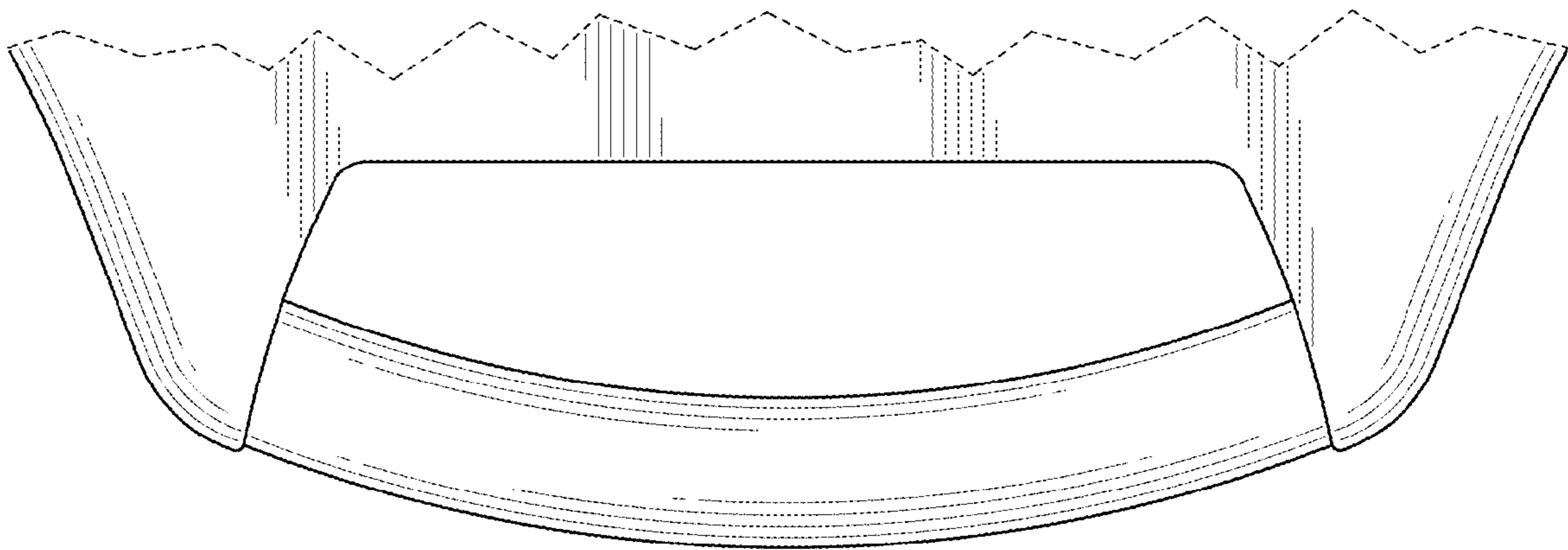


FIG. 6



FIG. 7

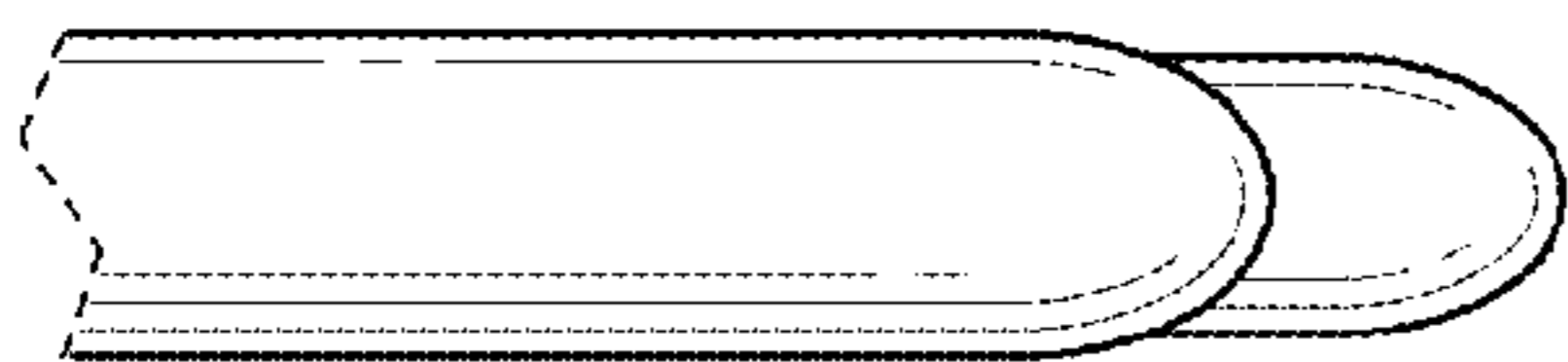


FIG. 8

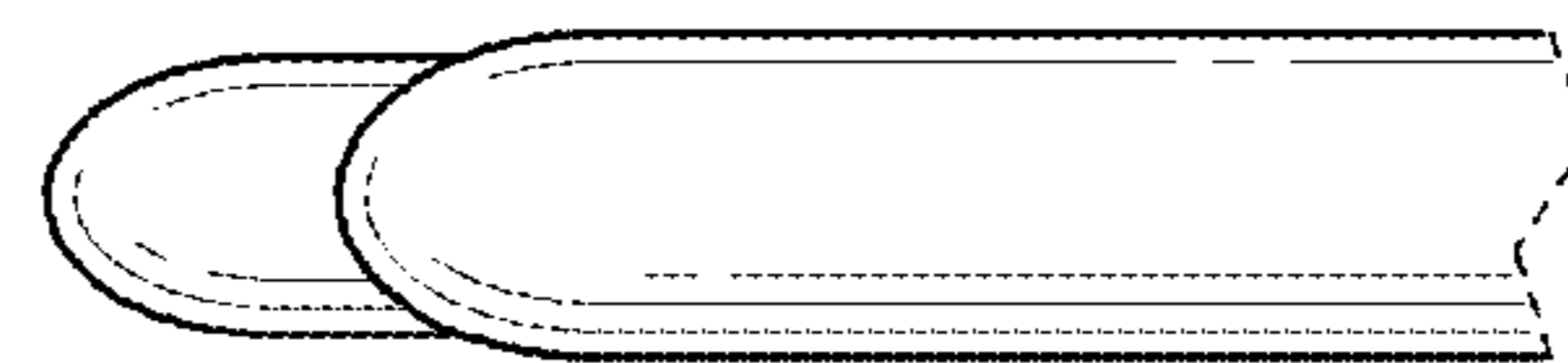


FIG. 9