



US00D956471S

(12) **United States Design Patent** (10) **Patent No.:** **US D956,471 S**  
**Tu** (45) **Date of Patent:** **\*\* Jul. 5, 2022**

(54) **BLENDER BASE**  
(71) Applicant: **SHARKNINJA OPERATING LLC,**  
Needham, MA (US)  
(72) Inventor: **Joyce Chien Tu,** Melrose, MA (US)  
(73) Assignee: **SharkNinja Operating LLC,**  
Needham, MA (US)

D817,701 S \* 5/2018 Ho ..... D7/391  
D865,935 S \* 11/2019 Hu ..... D23/366  
D889,191 S \* 7/2020 Finnance ..... D7/378  
D913,033 S \* 3/2021 Jones ..... D7/378  
D919,359 S \* 5/2021 Seo ..... D7/386  
D921,418 S \* 6/2021 Thun ..... D7/378  
D925,981 S \* 7/2021 McConnell ..... D7/413  
D932,242 S \* 10/2021 Finnance ..... D7/413

**FOREIGN PATENT DOCUMENTS**

(\*\*) Term: **15 Years**

EM D090153 3/2016

\* cited by examiner

(21) Appl. No.: **29/755,781**

(22) Filed: **Oct. 22, 2020**

*Primary Examiner* — Ricky Pham

(51) **LOC (13) Cl.** ..... **31-00**

(74) *Attorney, Agent, or Firm* — Burns & Levinson LLP;  
Joseph M. Maraia

(52) **U.S. Cl.**

USPC ..... **D7/386; D7/376; D7/378**

(58) **Field of Classification Search**

(57) **CLAIM**

USPC ..... D7/372, 376–386, 391, 412–413, 602,  
D7/629, 665–666, 669, 679, 693–694;  
D23/366

The ornamental design for a blender base, as shown and described.

CPC .... A21C 1/02; A21C 1/04; A23N 1/00; A23N  
1/02; A47J 43/04; A47J 43/25; A47J  
43/27; A47J 43/042; A47J 43/044; A47J  
43/046; A47J 43/075; A47J 43/0711;  
A47J 43/0722; A47J 43/0727; B01F 3/00;  
B01F 3/0807; B01F 3/0853; B01F  
13/0059; B01F 13/0064; B02C 1/08;  
B02C 2/04; B02C 4/42; B02C 4/142;  
B02C 4/143; B02C 4/423; B02C 13/1835;  
B28C 5/10; B28C 5/12; B28C 5/14;  
B28C 5/16

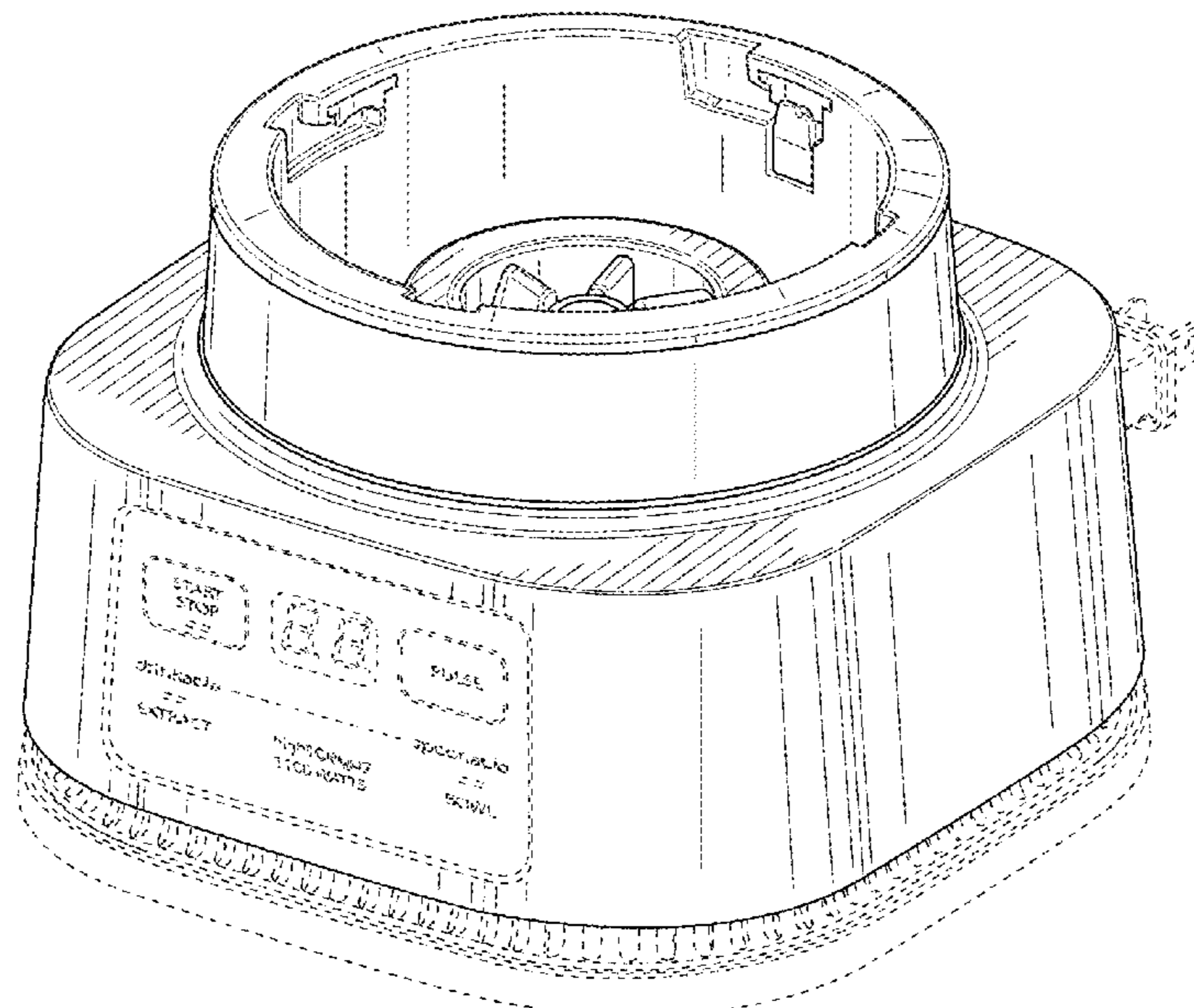
See application file for complete search history.

(56) **References Cited**

**U.S. PATENT DOCUMENTS**

D595,084 S \* 6/2009 Metaxatos ..... D7/378  
D782,866 S \* 4/2017 Suess ..... D7/378

**1 Claim, 7 Drawing Sheets**



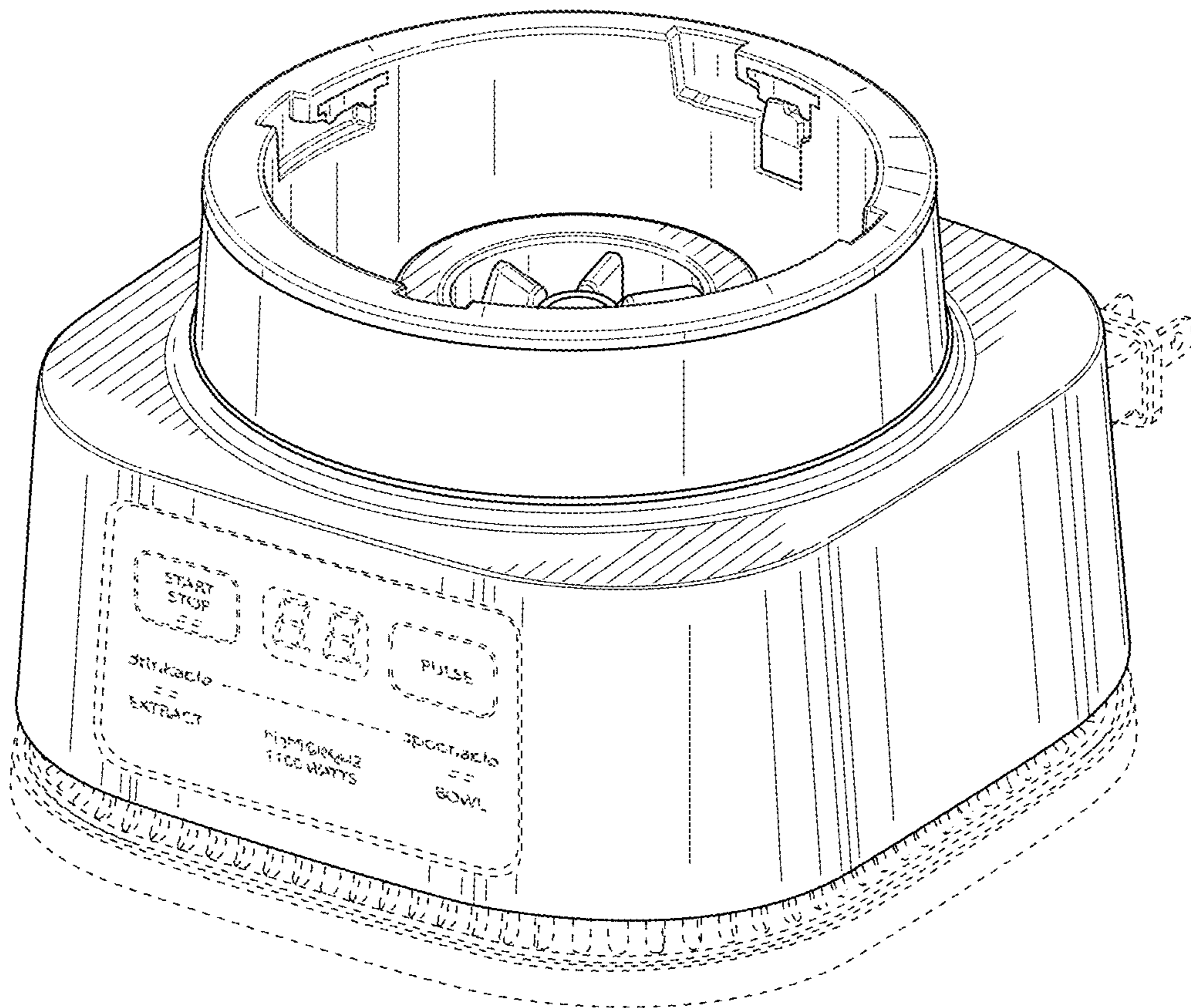


FIG. 1

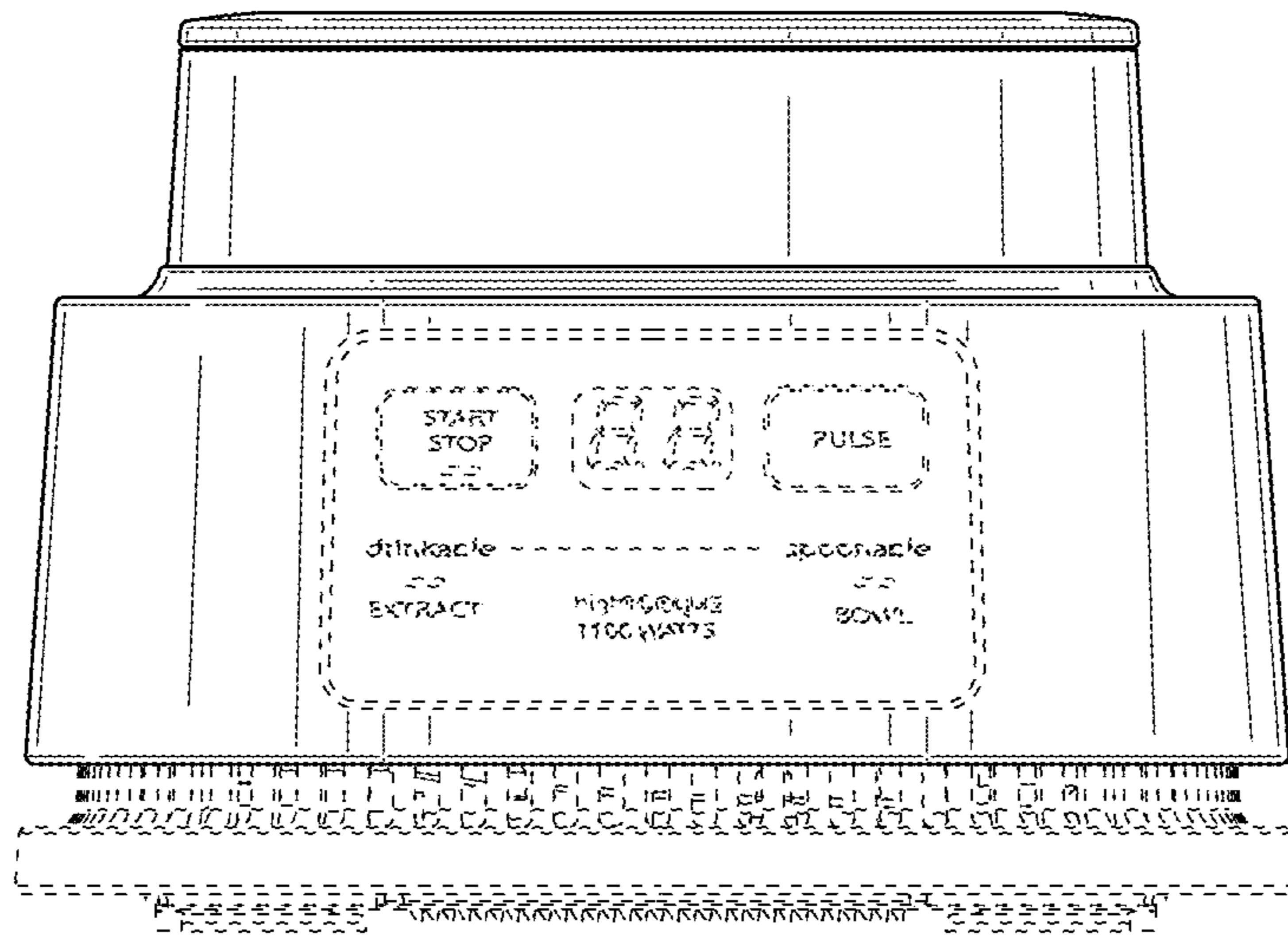


FIG. 2

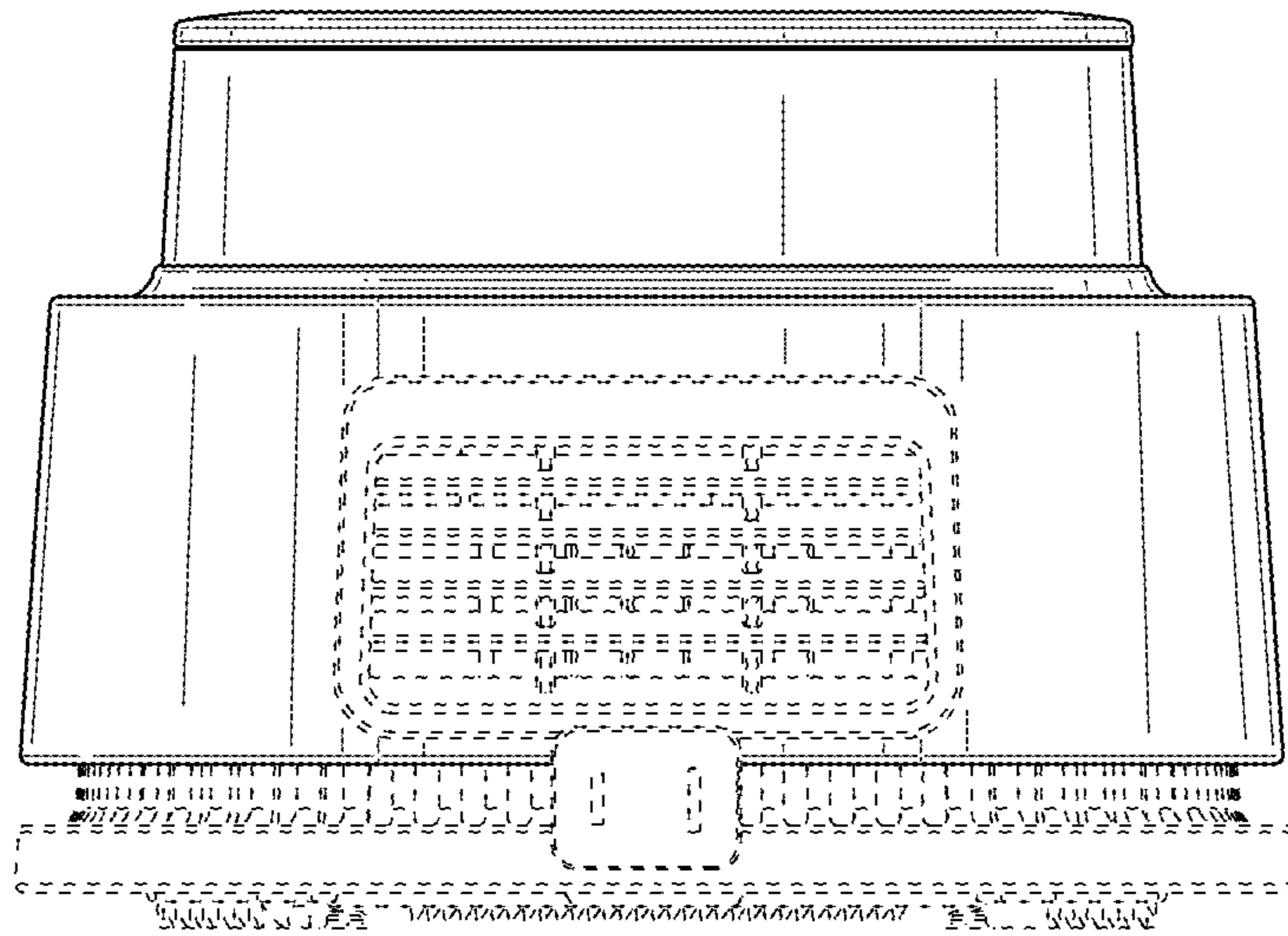


FIG.3

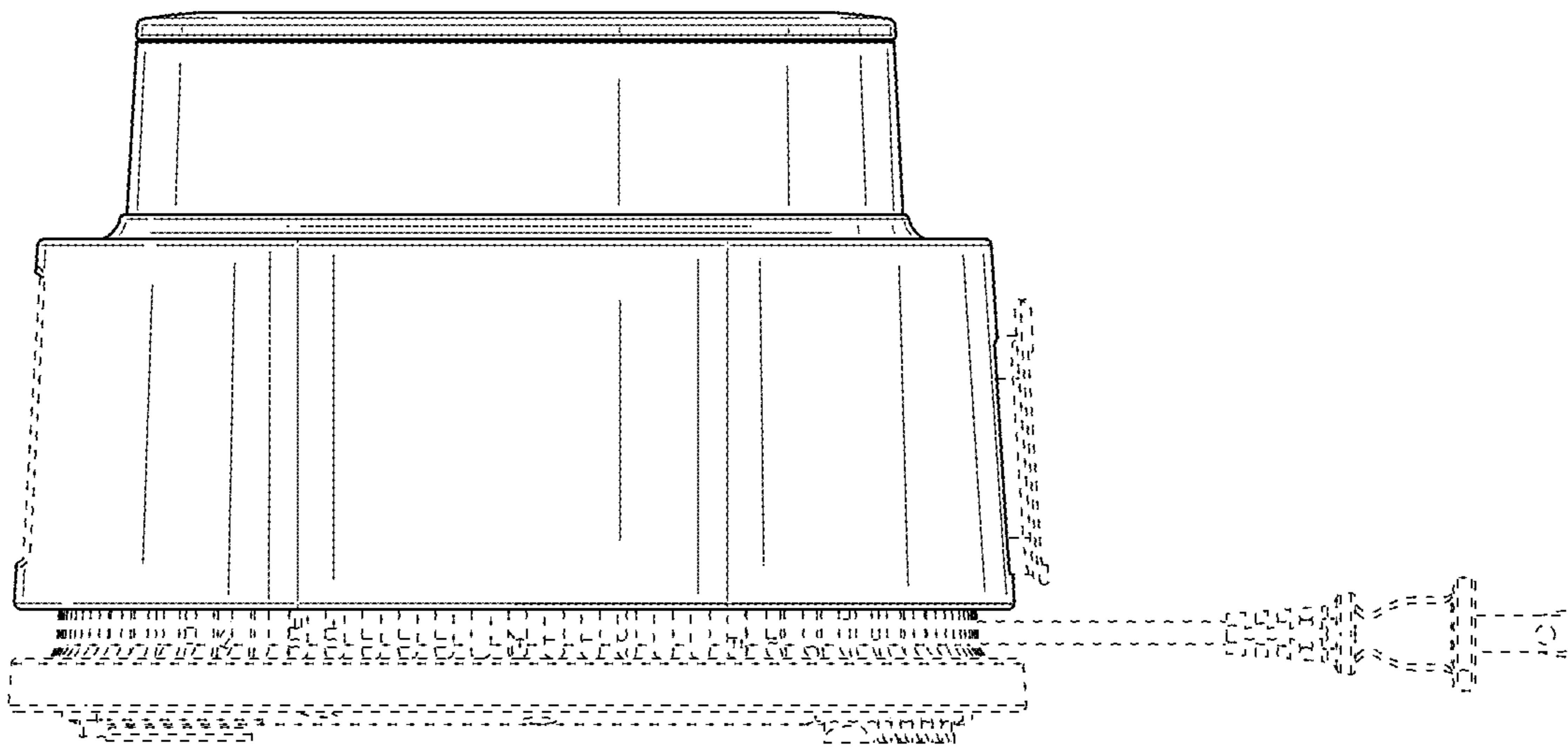


FIG. 4



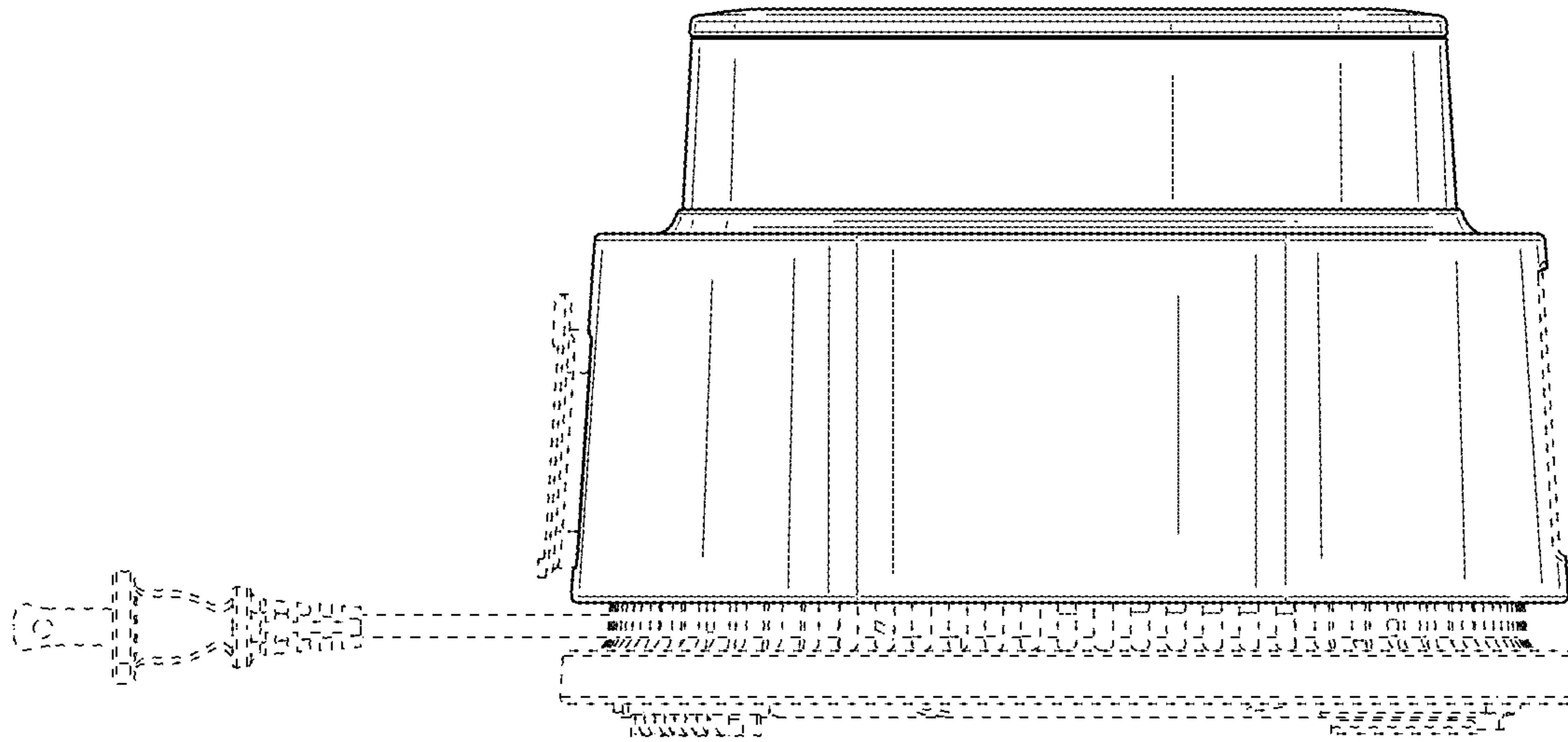


FIG. 5

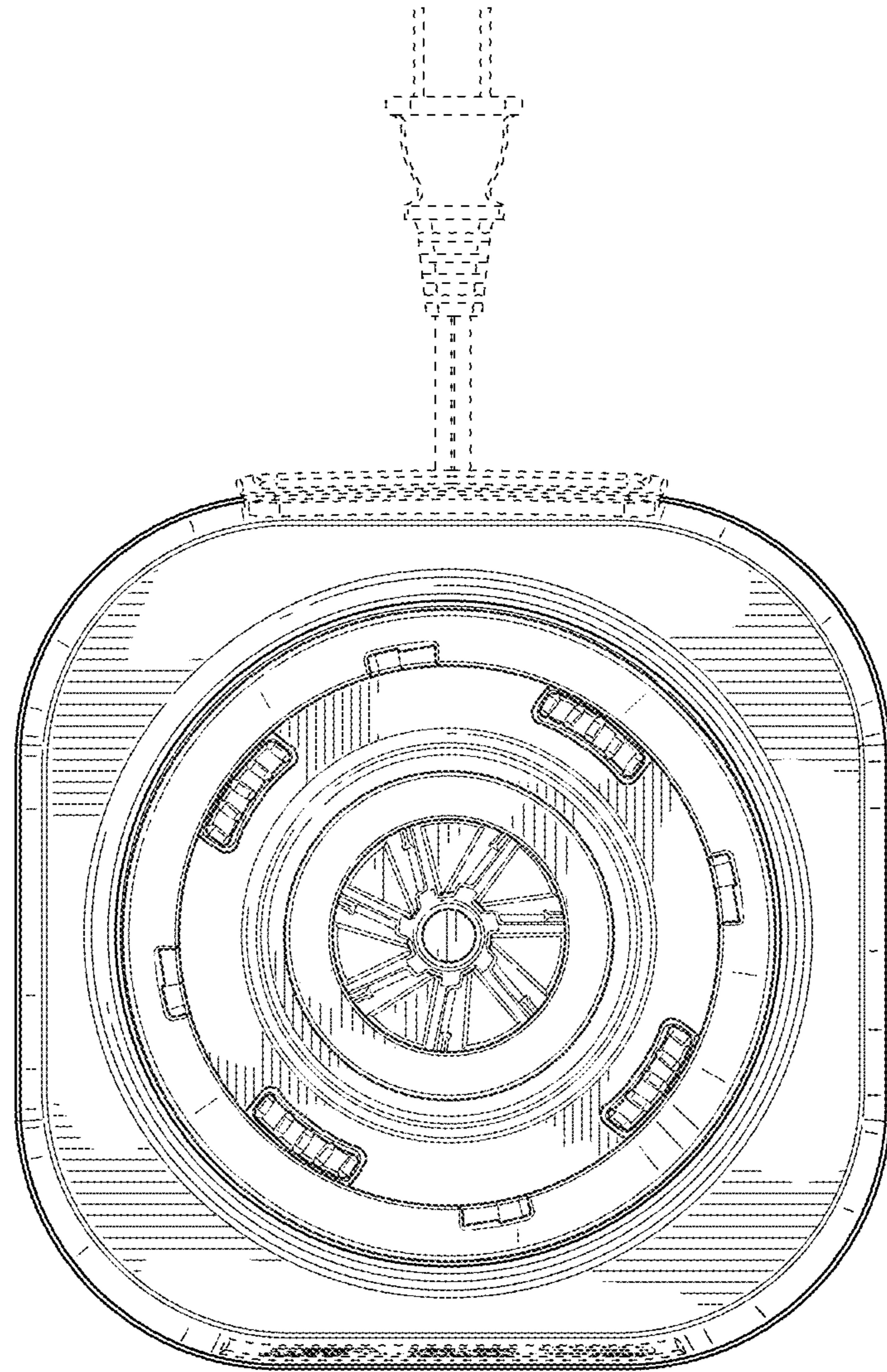


FIG. 6

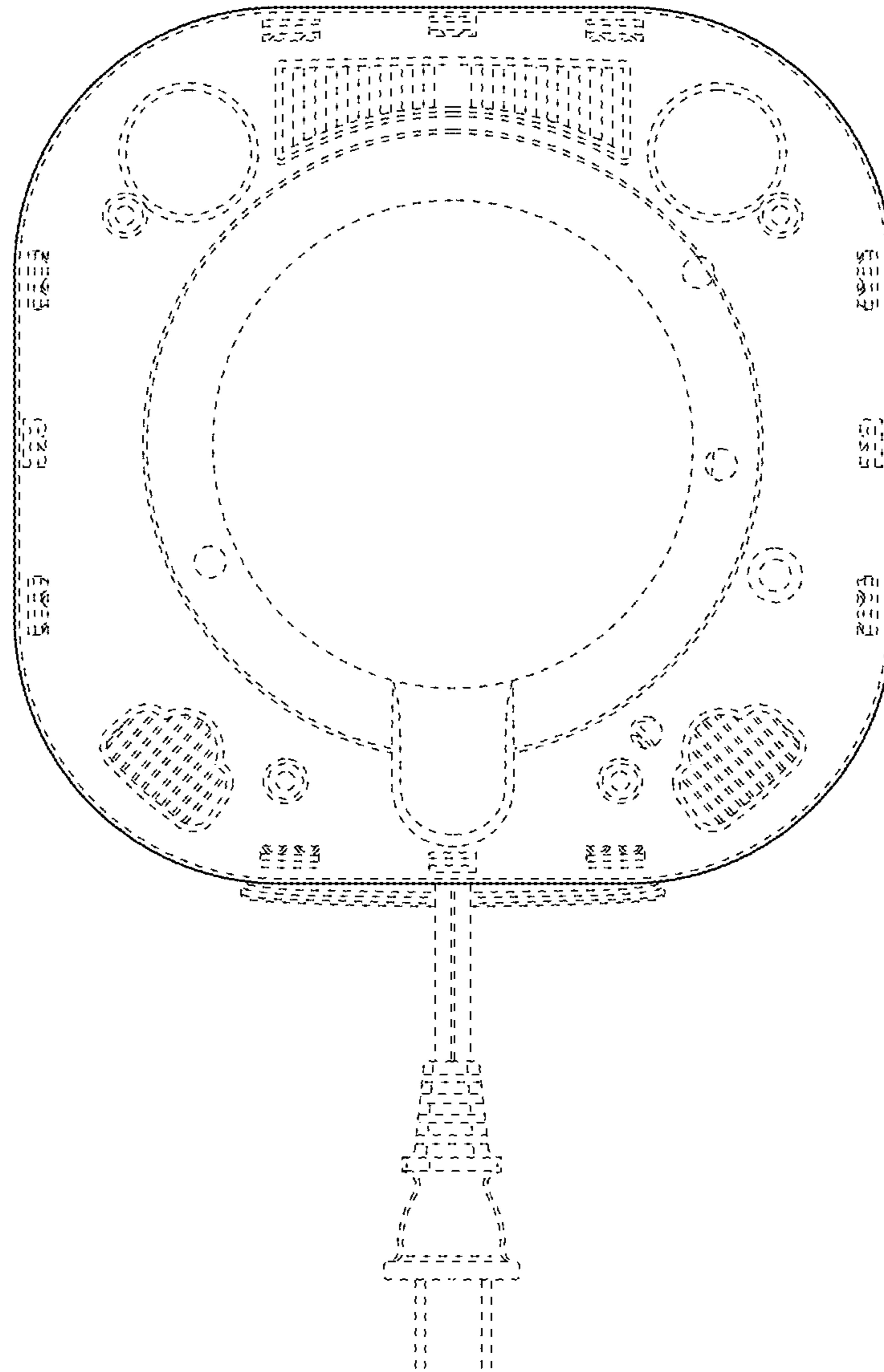


FIG. 7