



US00D956469S

(12) **United States Design Patent**
Jiang et al.

(10) **Patent No.:** **US D956,469 S**
(45) **Date of Patent:** **** Jul. 5, 2022**

(54) **ELECTRIC INDUCTION COOKER**

(56) **References Cited**

(71) Applicant: **BEIJING XIAOMI MOBILE SOFTWARE CO., LTD.**, Beijing (CN)

U.S. PATENT DOCUMENTS

(72) Inventors: **Jing Jiang**, Beijing (CN); **Ningning Li**, Beijing (CN); **Baowen Zhao**, Beijing (CN)

D340,353	S	*	10/1993	Benarrouch	D3/205
D557,975	S	*	12/2007	Yu	D7/365
D842,023	S	*	3/2019	Carlson	D7/367
D862,974	S	*	10/2019	Miyawaki	D7/362
D925,268	S	*	7/2021	Tan	D7/367
D926,515	S	*	8/2021	Mano	D7/363

(73) Assignee: **BEIJING XIAOMI MOBILE SOFTWARE CO., LTD.**, Beijing (CN)

OTHER PUBLICATIONS

(**) Term: **15 Years**

Gizmo China, Xiaomi unveils the MIJIA Double-port Induction Cooker under crowdfunding, Publication date Dec. 18, 2020, [site visited Mar. 11, 2022], Available on the Internet URL www.gizmochina.com/2020/12/18/xiaomi-unveils-the-mijia-double-port-induction-cooker/ (Year: 2020).*

(21) Appl. No.: **35/511,714**

(22) Filed: **Oct. 13, 2020**

* cited by examiner

(80) **Hague Agreement Data**

Int. Filing Date: **Oct. 13, 2020**
Int. Reg. No.: **DM/211506**
Int. Reg. Date: **Oct. 13, 2020**
Int. Reg. Pub. Date: **Apr. 16, 2021**

Primary Examiner — S. Bryan Reinholdt, Jr.

(74) *Attorney, Agent, or Firm* — Syncoda LLC; Feng Ma

(30) **Foreign Application Priority Data**

Apr. 14, 2020 (CN) 202030147354.5

(51) **LOC (13) Cl.** **07-02**

(52) **U.S. Cl.**
USPC **D7/367; D7/362**

(58) **Field of Classification Search**
USPC D7/300, 306, 365, 376, 392, 392.1, D7/396.2, 57, 509, 510, 511, 607, 665, D7/666, 276, 362, 367, 901; D9/434, D9/435, 439, 440, 443, 450
CPC F24C 15/10; A47J 37/0623
See application file for complete search history.

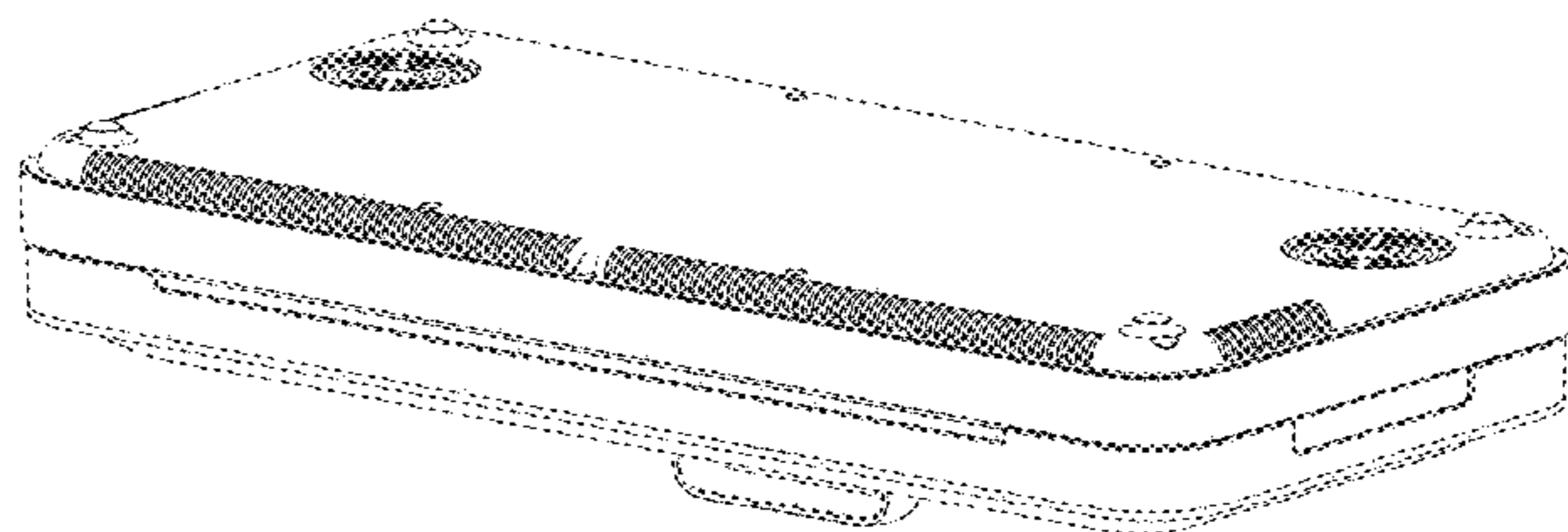
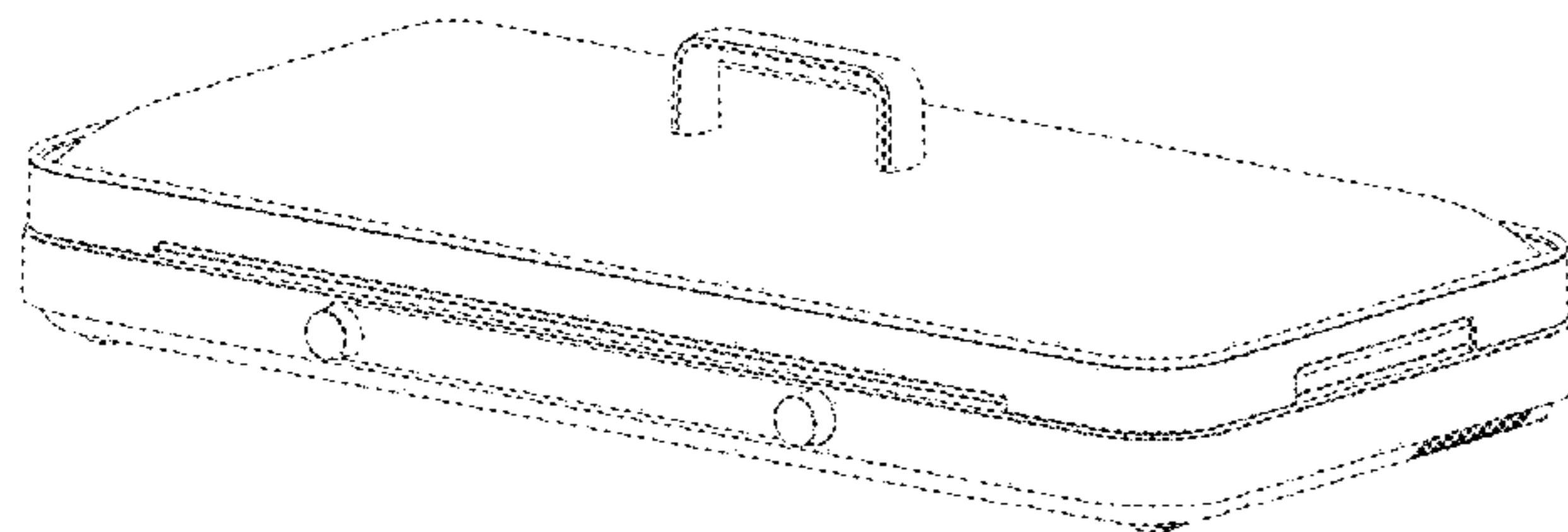
(57) **CLAIM**

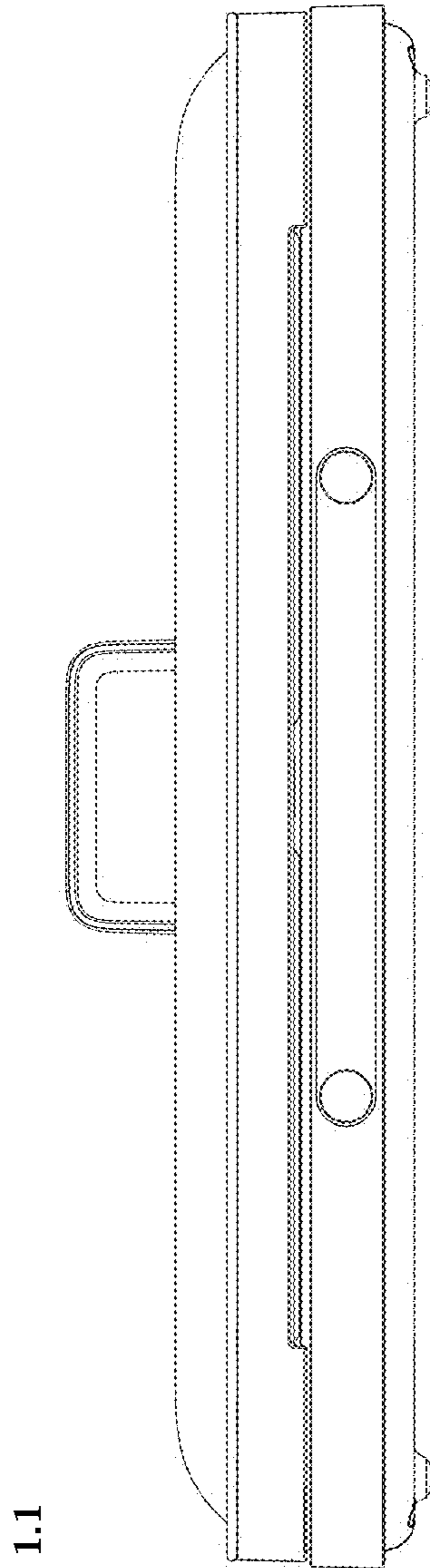
The ornamental design for an electric induction cooker, as shown and described.

DESCRIPTION

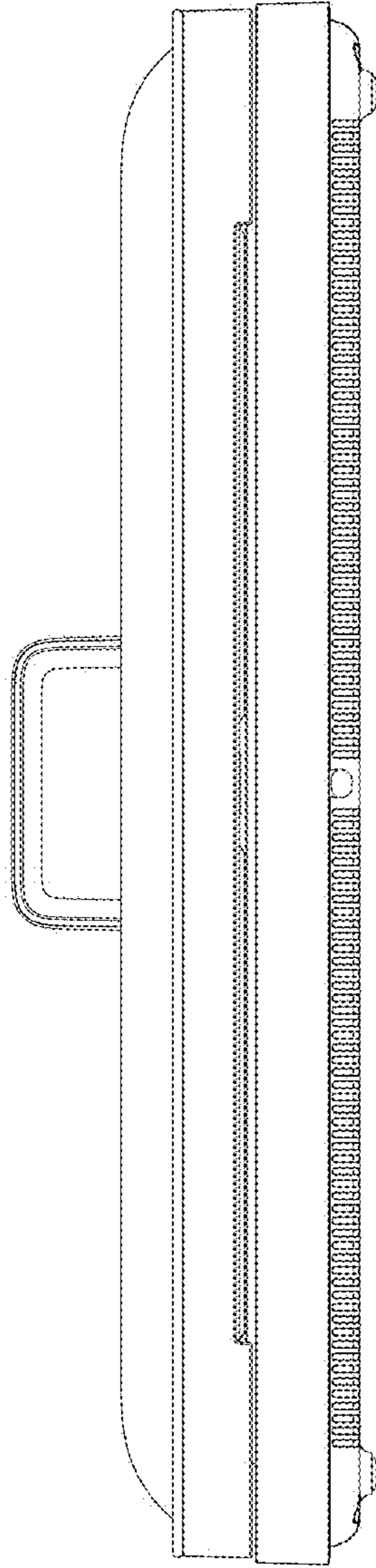
- 1. Electric induction cooker
- 1.1 : Front
- 1.2 : Back
- 1.3 : Left
- 1.4 : Right
- 1.5 : Top
- 1.6 : Bottom
- 1.7 : Perspective
- 1.8 : Perspective

1 Claim, 8 Drawing Sheets

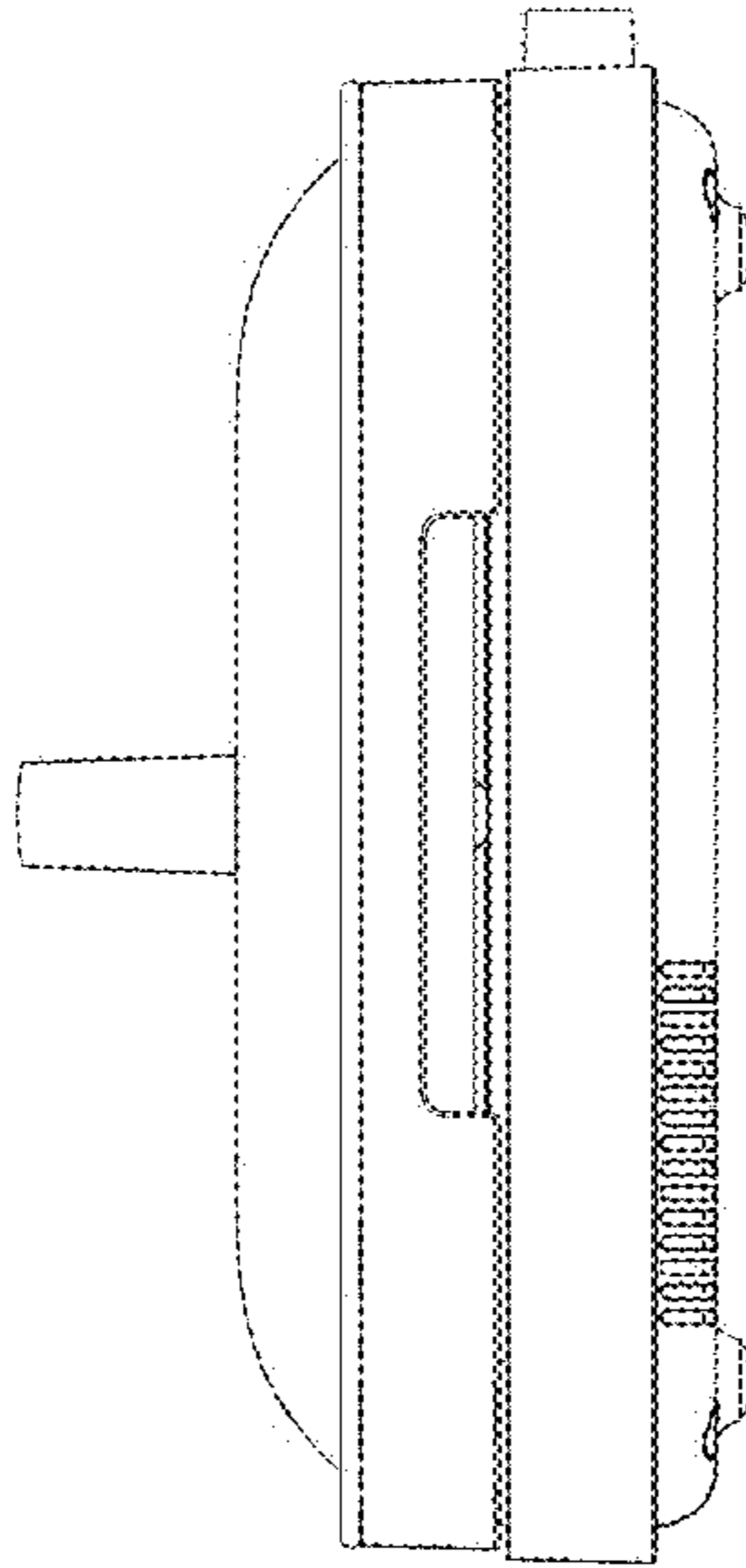




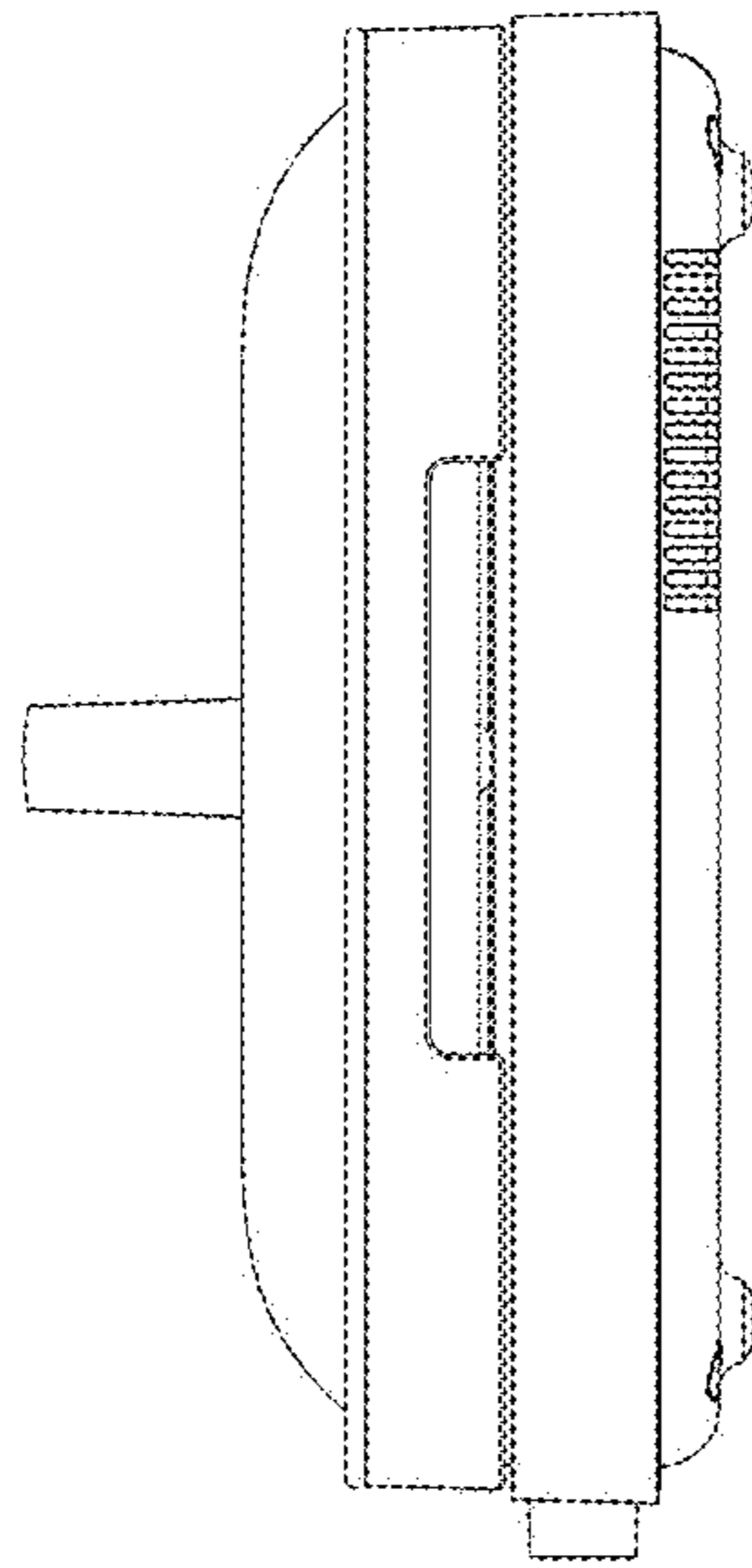
1.2

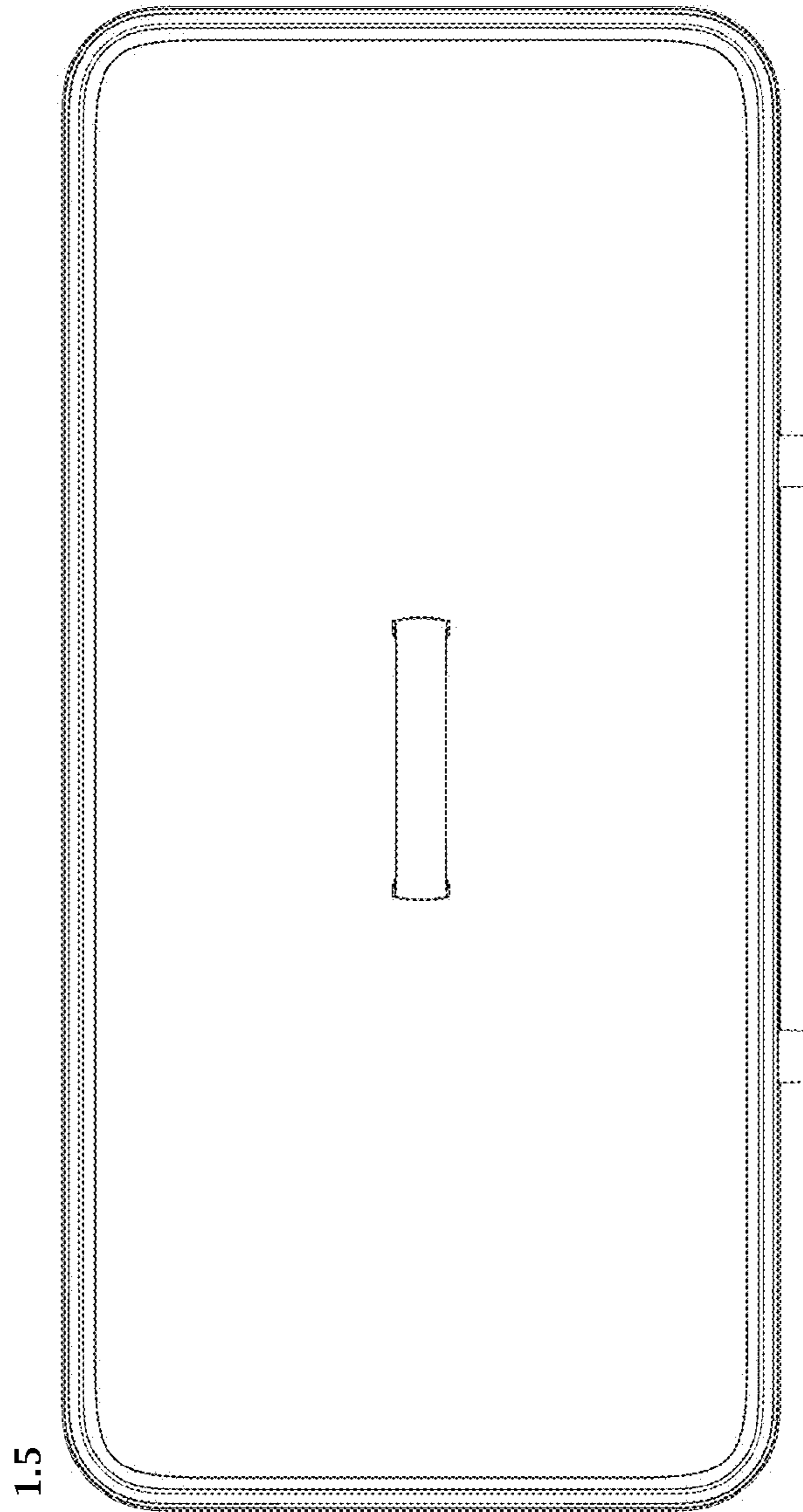


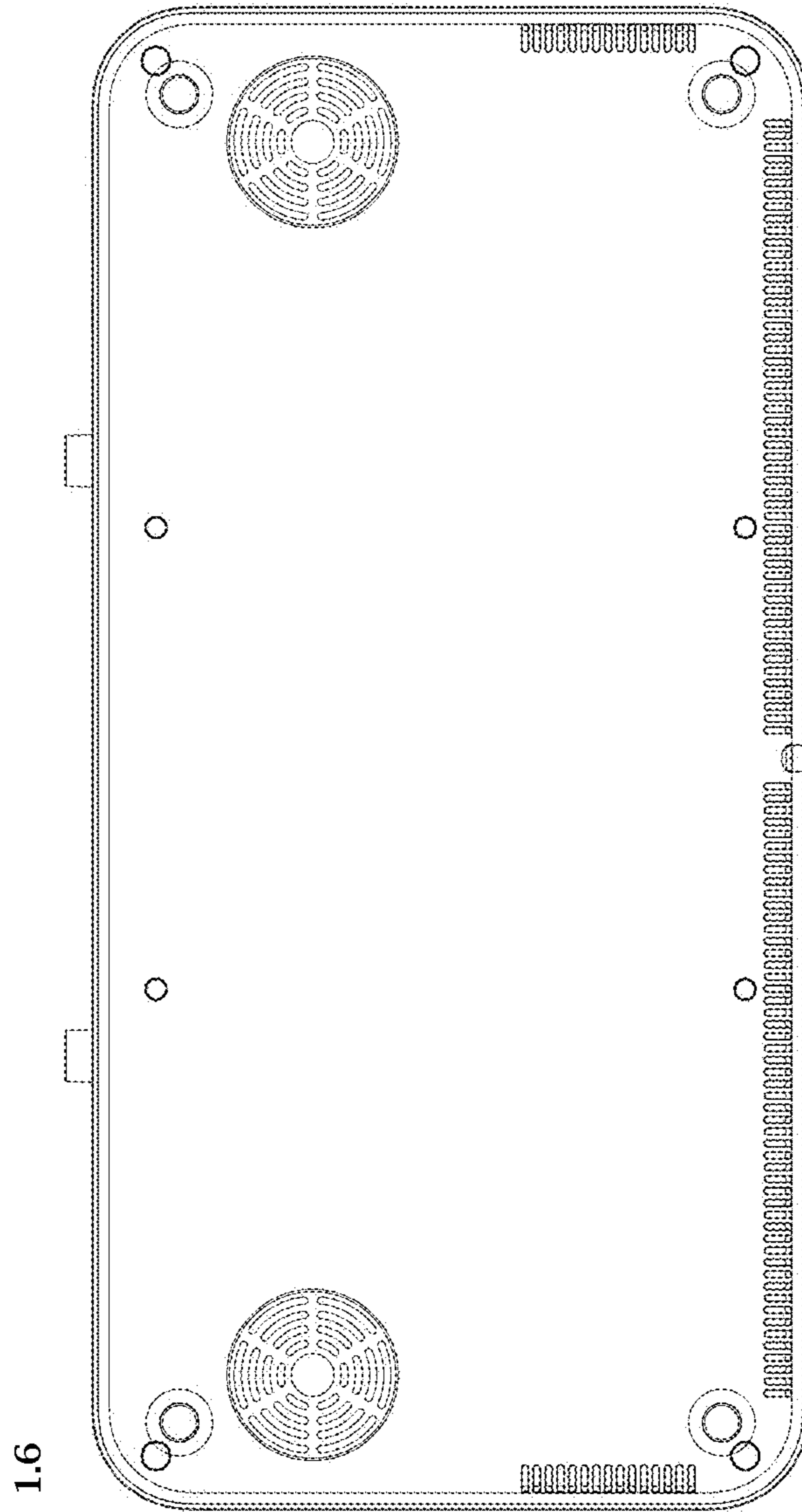
1.3

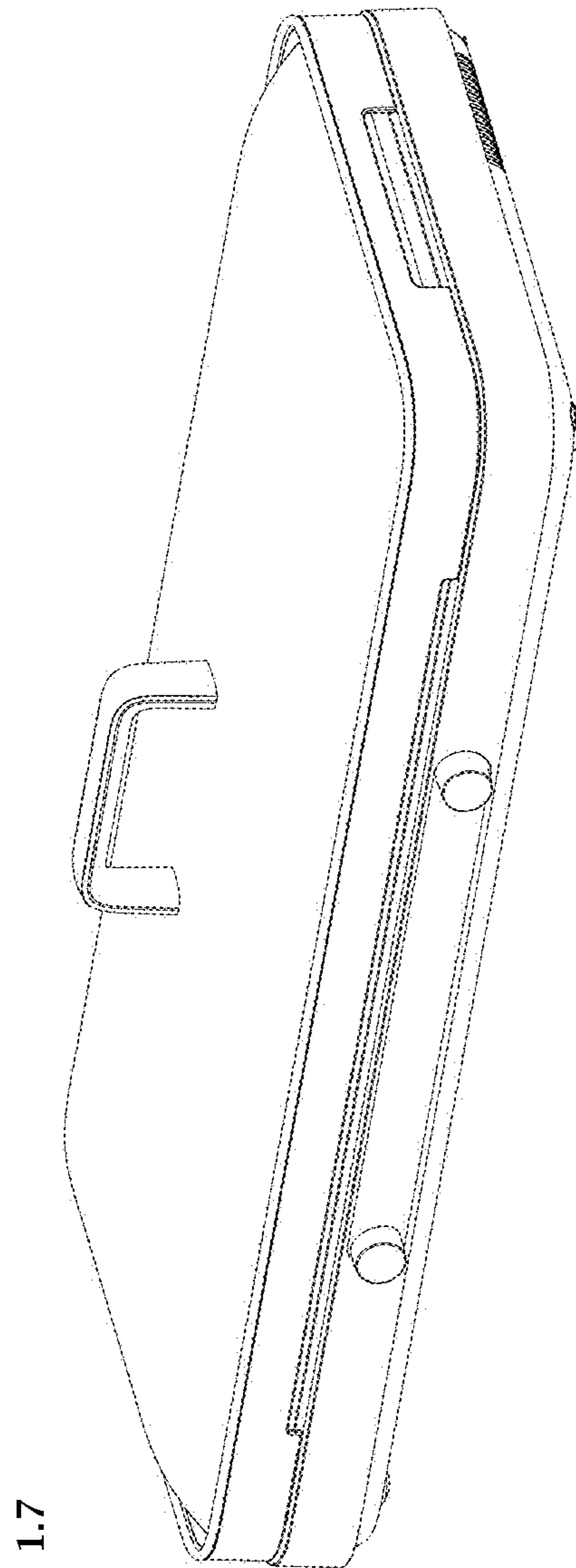


1.4









1.7

