



US00D956467S

(12) **United States Design Patent** (10) **Patent No.:** **US D956,467 S**  
**Munindradasa** (45) **Date of Patent:** **\*\* Jul. 5, 2022**

(54) **SILICONE COOKING BAG DEVICE**

(71) Applicant: **Thenkuty Dinendra Munindradasa,**  
Chicago, IL (US)

(72) Inventor: **Thenkuty Dinendra Munindradasa,**  
Chicago, IL (US)

(\*\*) Term: **15 Years**

(21) Appl. No.: **29/652,917**

(22) Filed: **Jan. 9, 2021**

(51) **LOC (13) Cl.** ..... **07-02**

(52) **U.S. Cl.**  
USPC ..... **D7/354**

(58) **Field of Classification Search**  
USPC ..... D3/226, 303; D7/323, 354-363, 391,  
D7/393-396, 409, 601, 629; D9/705,  
D9/707, 709; D24/187  
CPC ..... A47G 19/12; A47J 27/00; A47J 27/002;  
A47J 27/08; A47J 27/21; A47J 27/58;  
A47J 36/025; A47J 36/06; A47J 36/12;  
A47J 37/00; A47J 37/10; A47J 37/101;  
A47J 37/103; A47J 37/12; A47J 37/1204;  
A47J 45/061; A47J 45/071; A47J 45/08;  
B65D 33/2541; H05B 6/12

See application file for complete search history.

(56) **References Cited**

**U.S. PATENT DOCUMENTS**

D399,708 S \* 10/1998 Grissom ..... D7/629  
D514,951 S \* 2/2006 Vaisnys ..... D9/707  
D618,559 S \* 6/2010 Taskinen ..... D9/705  
D631,370 S \* 1/2011 Vaisnys ..... D9/707  
D637,298 S \* 5/2011 Vaisnys ..... D24/187

D687,628 S \* 8/2013 Burns ..... D3/226  
D874,150 S \* 2/2020 Liu ..... D3/303  
D886,532 S \* 6/2020 Peng ..... D7/601  
D901,983 S \* 11/2020 Mouler ..... D7/601  
D922,208 S \* 6/2021 Munindradasa ..... D9/709  
D938,283 S \* 12/2021 Elliott ..... D9/705  
D940,515 S \* 1/2022 Li ..... D7/629  
2014/0270579 A1 \* 9/2014 Nouri ..... B65D 33/2541  
383/25

**OTHER PUBLICATIONS**

FFRESH 5X Reusable Freezer bags. Date First Available on Amazon.com Jun. 5, 2018. <https://www.amazon.com/dp/B07DK41XBT/ref> (Year: 2018).\*

\* cited by examiner

*Primary Examiner* — Ricky Pham

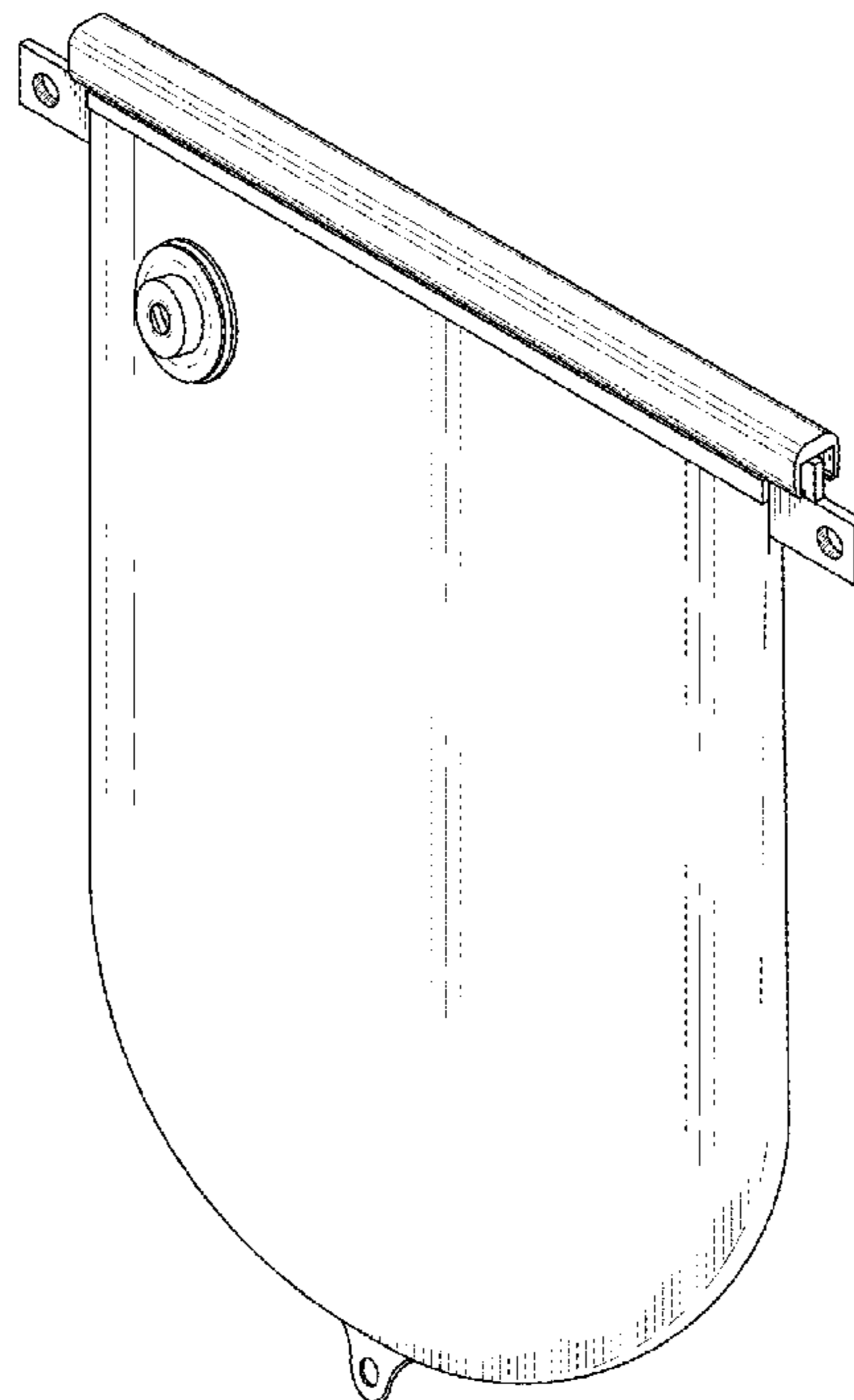
(57) **CLAIM**

The ornamental design for a silicone cooking bag device, as shown and described.

**DESCRIPTION**

FIG. 1 is a front view of a silicone cooking bag device showing the new design;  
FIG. 2. is a rear view thereof;  
FIG. 3. is a right side view thereof;  
FIG. 4 is a left side view thereof;  
FIG. 5 is a top view thereof;  
FIG. 6 is a bottom view thereof; and,  
FIG. 7 is a front, top, right perspective view thereof.

**1 Claim, 7 Drawing Sheets**



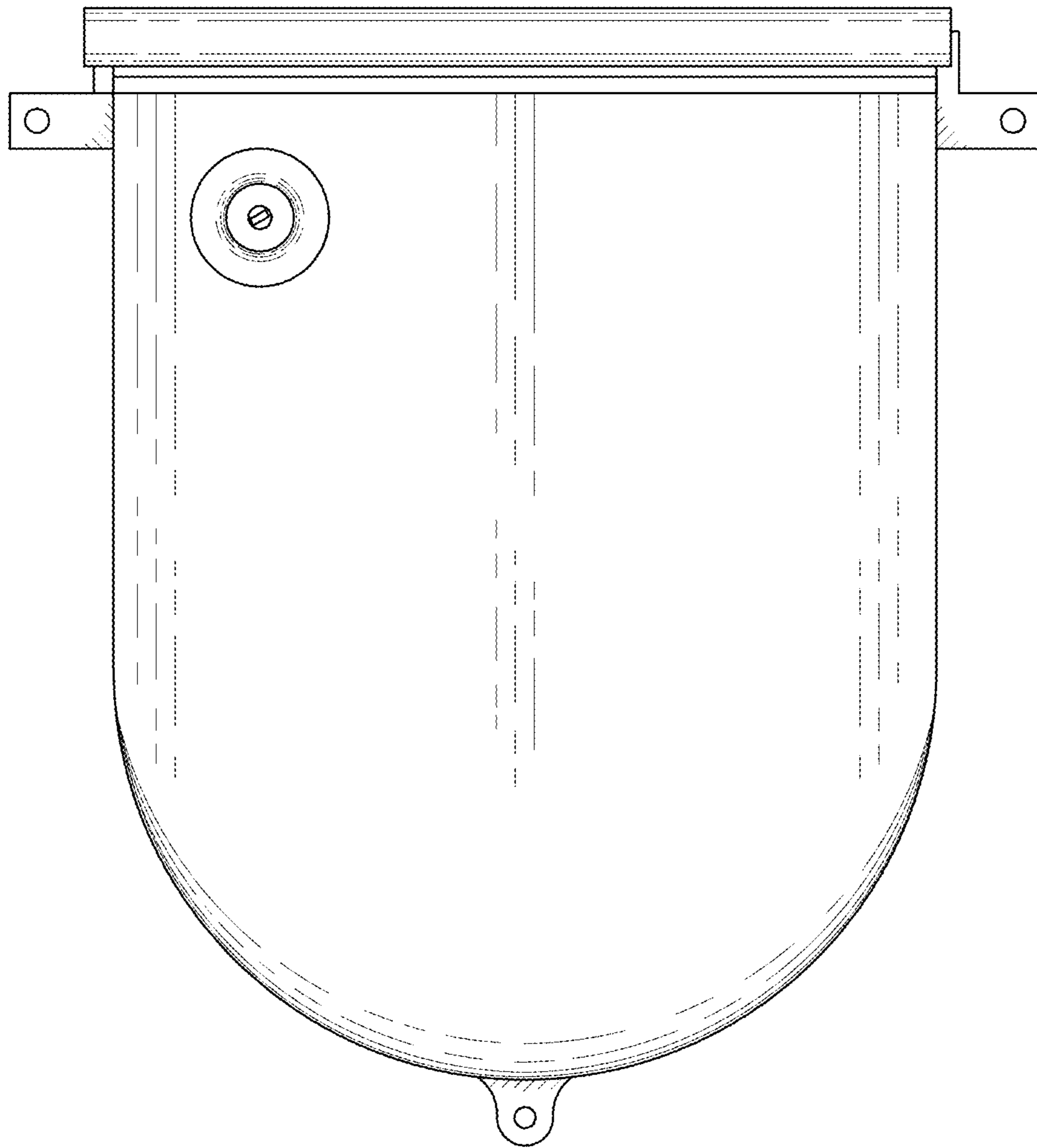


FIG.1

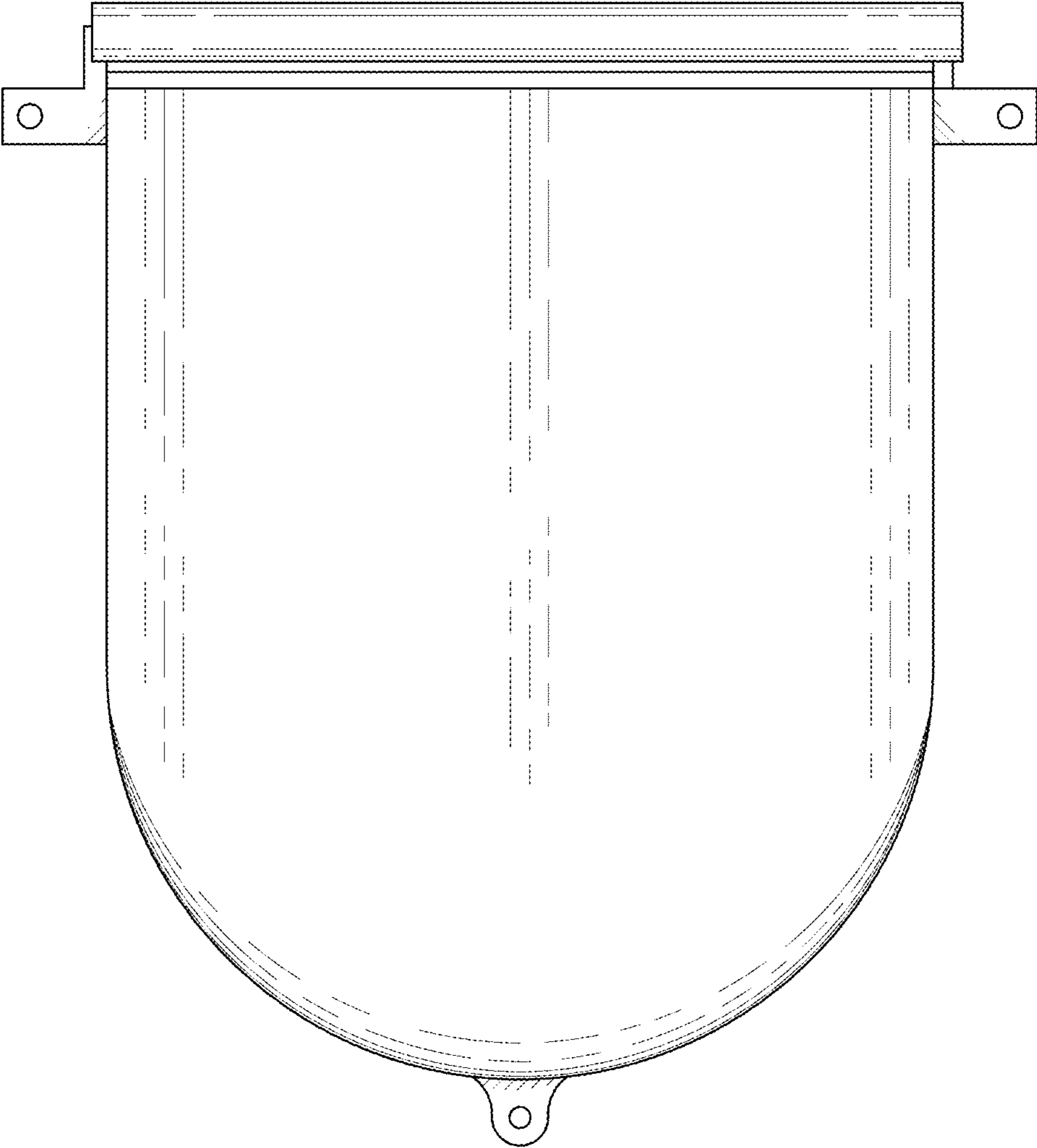


FIG.2

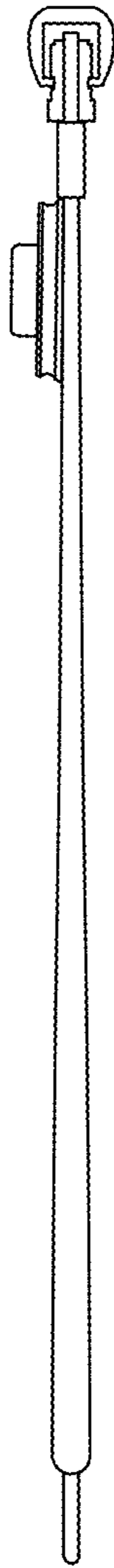


FIG.3

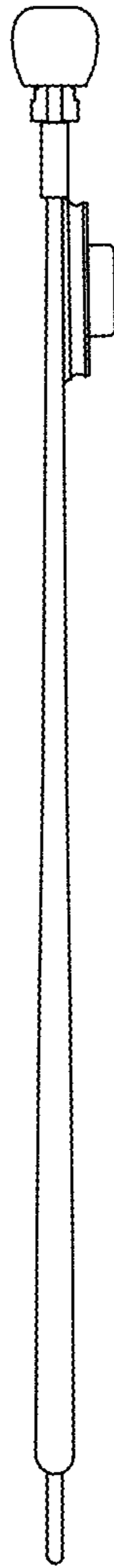


FIG.4

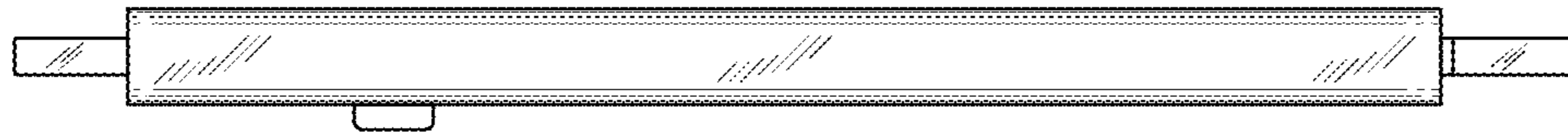


FIG.5

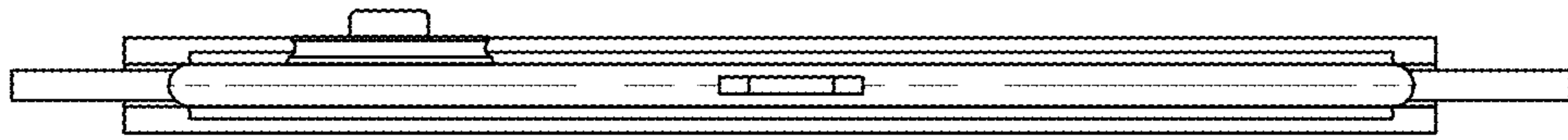


FIG.6

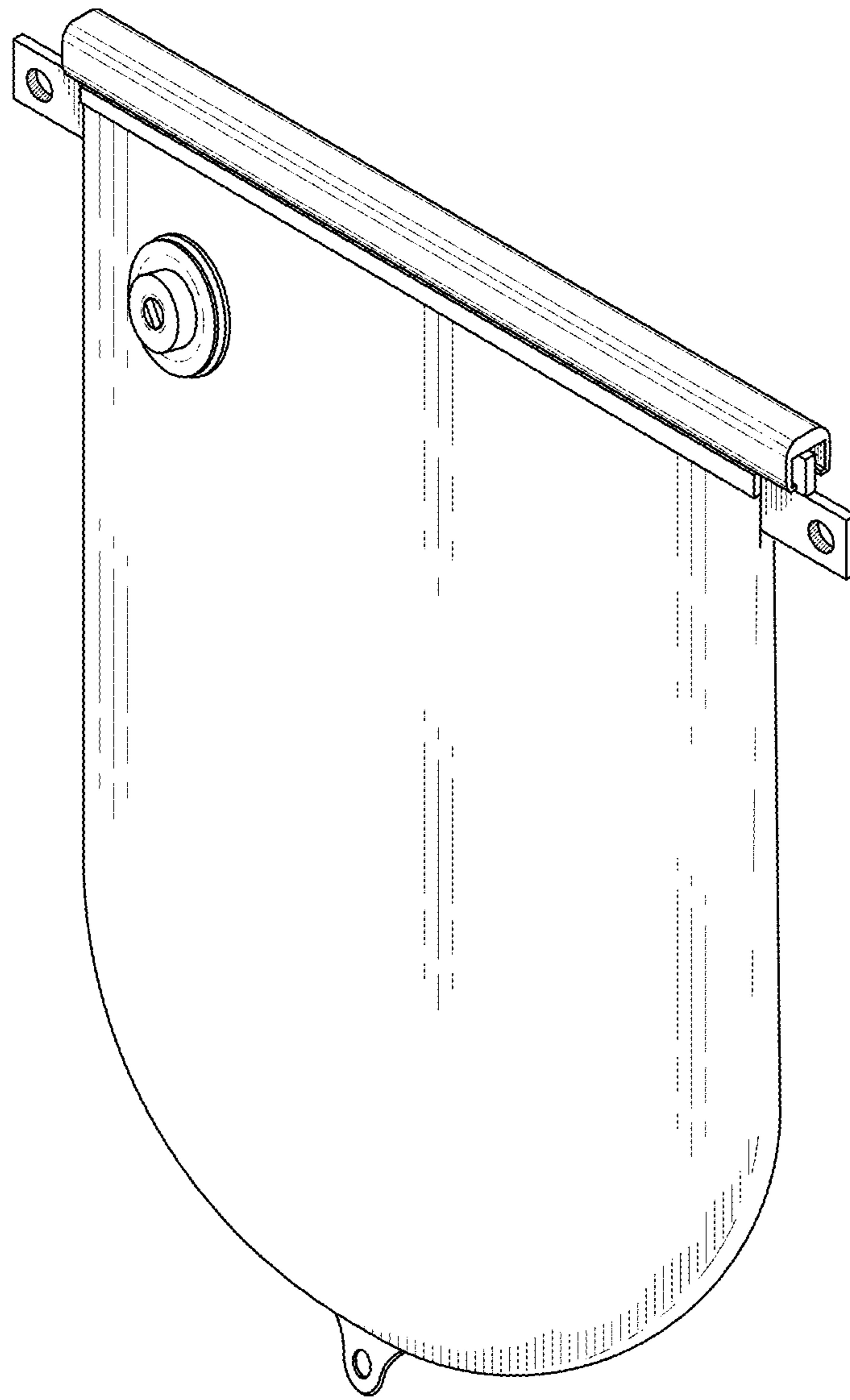


FIG. 7