



US00D956466S

(12) **United States Design Patent**
Lee et al.

(10) **Patent No.:** **US D956,466 S**
(45) **Date of Patent:** **** Jul. 5, 2022**

(54) **MICROWAVE**

OTHER PUBLICATIONS

(71) Applicant: **SAMSUNG ELECTRONICS CO., LTD.**, Suwon-si (KR)

CM1529 Commercial Microwave 1500W, Samsung, [online], [site visited Feb. 10, 2022], Available from internet URL: <https://www.samsung.com/uk/business/microwave-ovens/convection/microwave-commercial-cm1529-xeu/> (Year: 2022).*

(72) Inventors: **Bo-Kyeong Lee**, Suwon-si (KR);
Young-Seok Lee, Suwon-si (KR)

(Continued)

(73) Assignee: **SAMSUNG ELECTRONICS CO., LTD.**, Gyeonggi-Do (KR)

Primary Examiner — Mary Ann Calabrese
Assistant Examiner — Natalya M Rapundalo

(**) Term: **15 Years**

(74) *Attorney, Agent, or Firm* — Cantor Colburn LLP

(21) Appl. No.: **29/763,832**

(22) Filed: **Dec. 24, 2020**

(57) **CLAIM**

(30) **Foreign Application Priority Data**

The ornamental design for a microwave, as shown and described.

Oct. 15, 2020 (KR) 30-2020-0049359

(51) **LOC (13) Cl.** **07-02**

(52) **U.S. Cl.**
USPC **D7/351; D7/350.1**

(58) **Field of Classification Search**
USPC D7/323, 328, 332-337, 339, 340,
D7/347-351, 354, 387, 393, 396, 402,
D7/405-409

DESCRIPTION

CPC A47J 37/00; A47J 37/06; A47J 37/0605;
A47J 37/0623; A47J 37/0629; A47J
37/0635; A47J 37/0641; A47J 37/0647;
A47J 37/0658; F24C 7/00; F24C 7/02;
F24C 7/04

FIG. 1 is a front right perspective view of a microwave, showing our new design;
FIG. 2 is a front view thereof;
FIG. 3 is a rear view thereof;
FIG. 4 is a left-side view thereof;
FIG. 5 is a right-side view thereof;
FIG. 6 is a top view thereof;
FIG. 7 is a bottom view thereof;
FIG. 8 is a front left perspective view thereof;
FIG. 9 is an enlarged view of the encircled portion 9 in FIG. 1;
FIG. 10 is an enlarged view of the encircled portion 10 in FIG. 1; and,
FIG. 11 is an enlarged view of the encircled portion 11 in FIG. 4.

See application file for complete search history.

(56) **References Cited**

U.S. PATENT DOCUMENTS

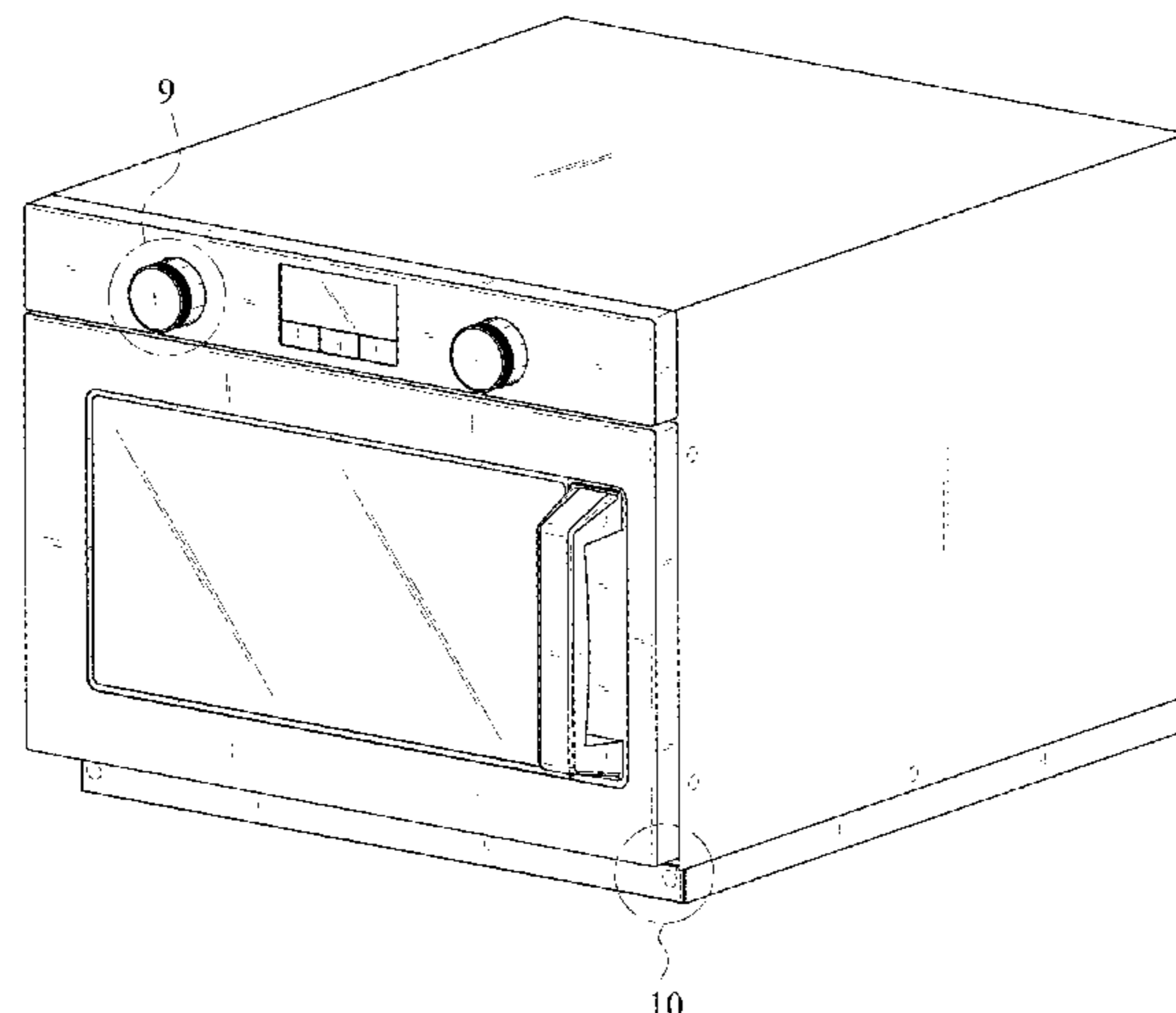
D236,316 S * 8/1975 Booty D7/350.4
D313,919 S * 1/1991 Naito D7/351
(Continued)

The even-dash broken lines illustrating portions of the microwave form no part of the claimed design. The dot-dash broken lines encircling enlargement portions of the microwave form no part of the claimed design.

FOREIGN PATENT DOCUMENTS

CN 303697782 S 6/2016
CN 303822868 S 8/2016
(Continued)

1 Claim, 11 Drawing Sheets



(56)

References Cited

U.S. PATENT DOCUMENTS

D329,569 S * 9/1992 Ichihara D7/351
D386,353 S * 11/1997 Fujimoto D7/351
D443,178 S * 6/2001 Segers D7/405
D525,477 S * 7/2006 Kim D7/351
D707,074 S * 6/2014 Shin D7/351
D736,028 S 8/2015 Baacke et al.
D773,233 S * 12/2016 Suh D7/351
D910,363 S * 2/2021 Wong D7/350.4
D939,263 S * 12/2021 Kang F24C 15/04
D7/348
2019/0242588 A1* 8/2019 Streitwieser F24C 15/04

FOREIGN PATENT DOCUMENTS

CN 305185909 S 5/2019
KR 300874088 S 9/2016

OTHER PUBLICATIONS

Samsung FS315 1850w Commercial Microwave, Catering Appliance Superstore, [online], [site visited Feb. 10, 2022], Available from internet URL: <https://www.catering-appliance.com/samsung-fs315-1850w-commercial-microwave> (Year: 2022).*

* cited by examiner

FIG. 1

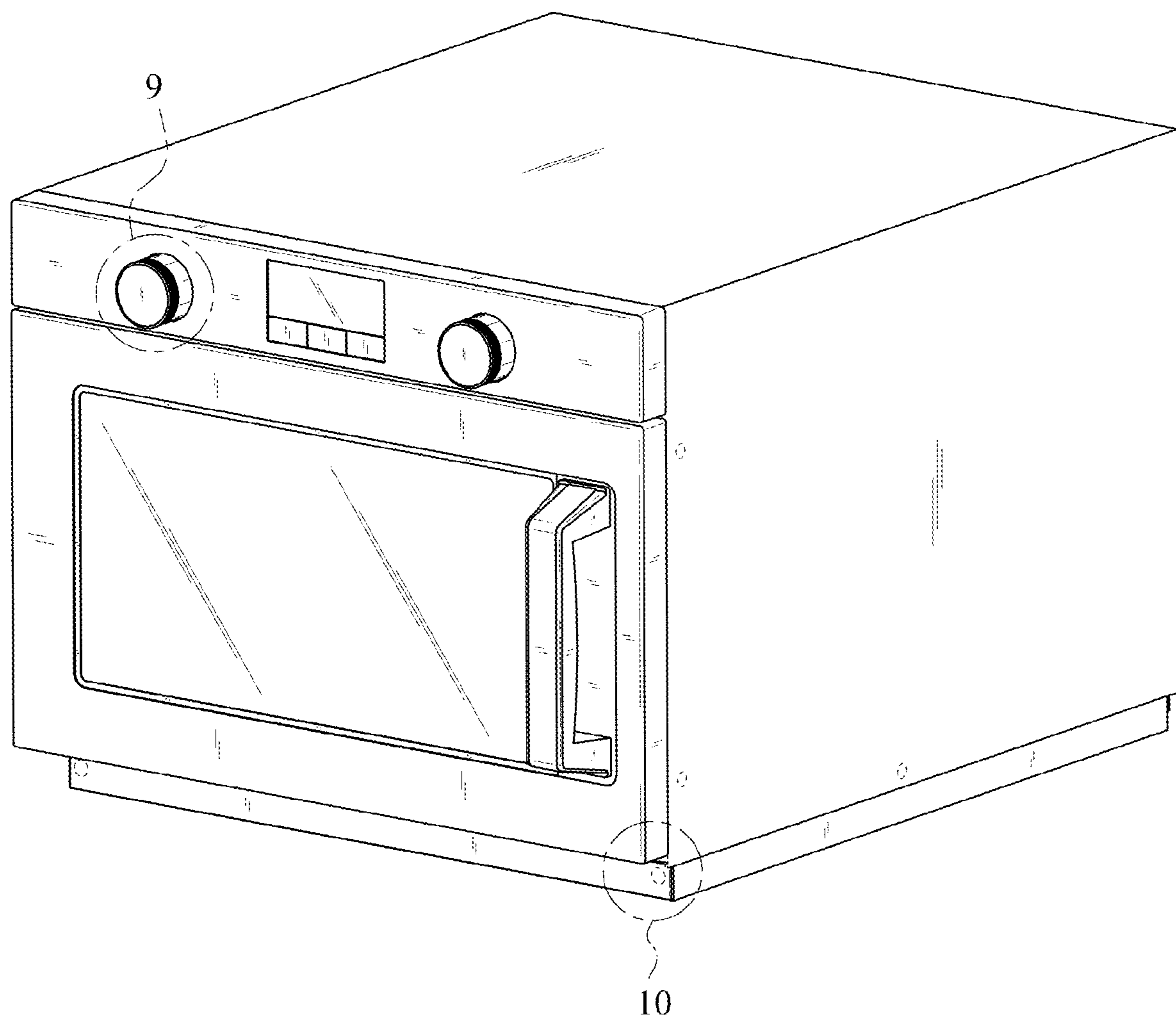


FIG. 2

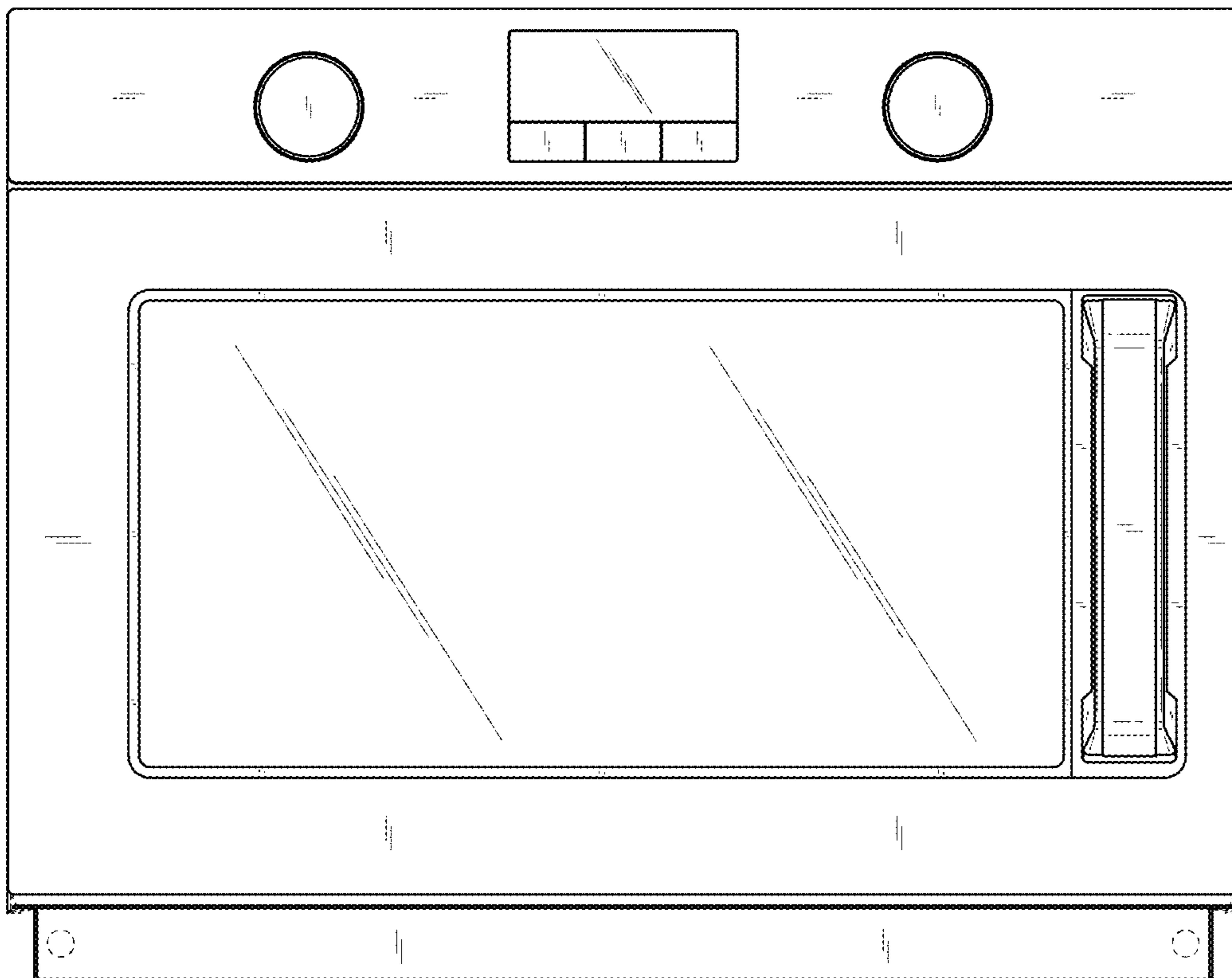


FIG. 3

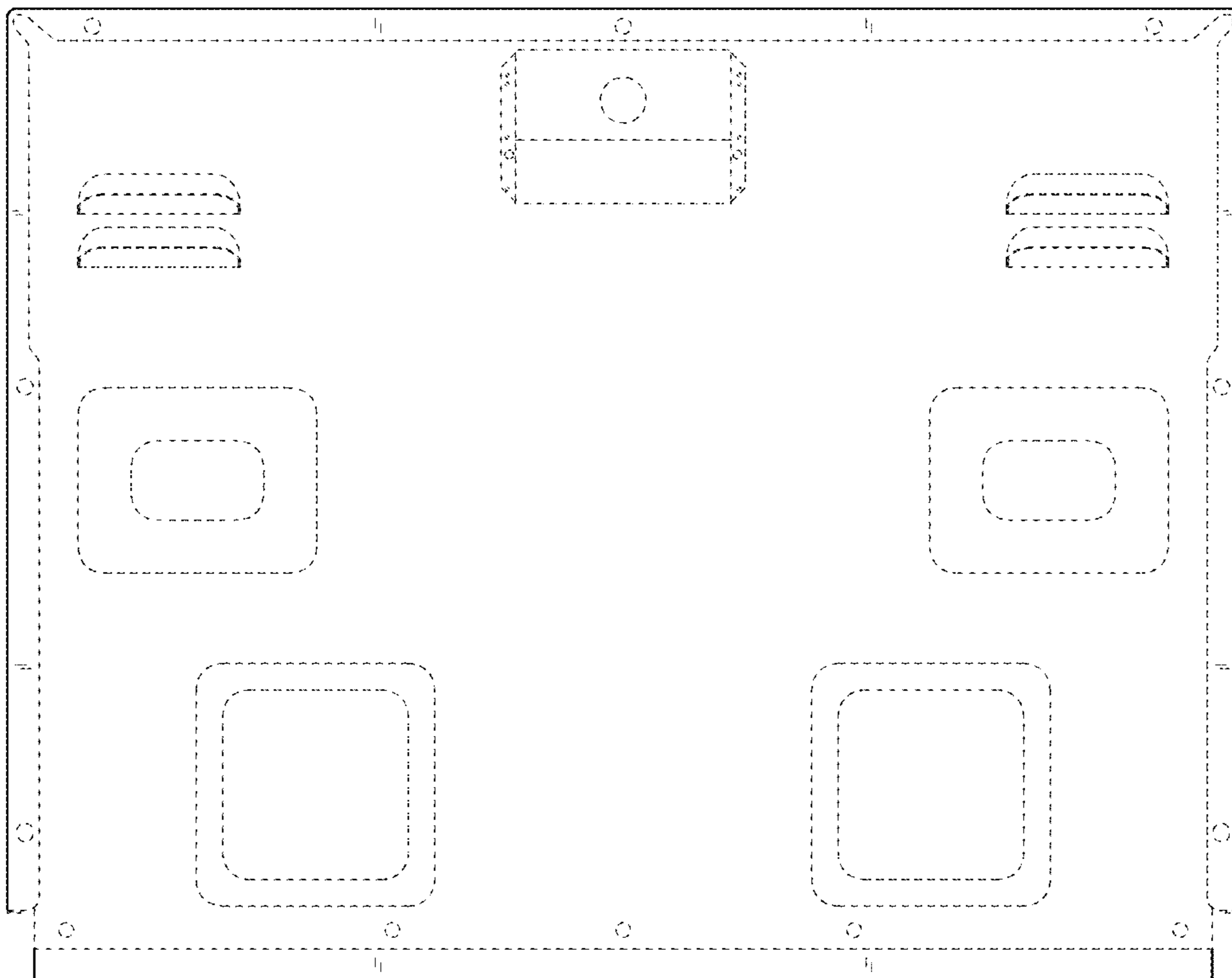


FIG. 4

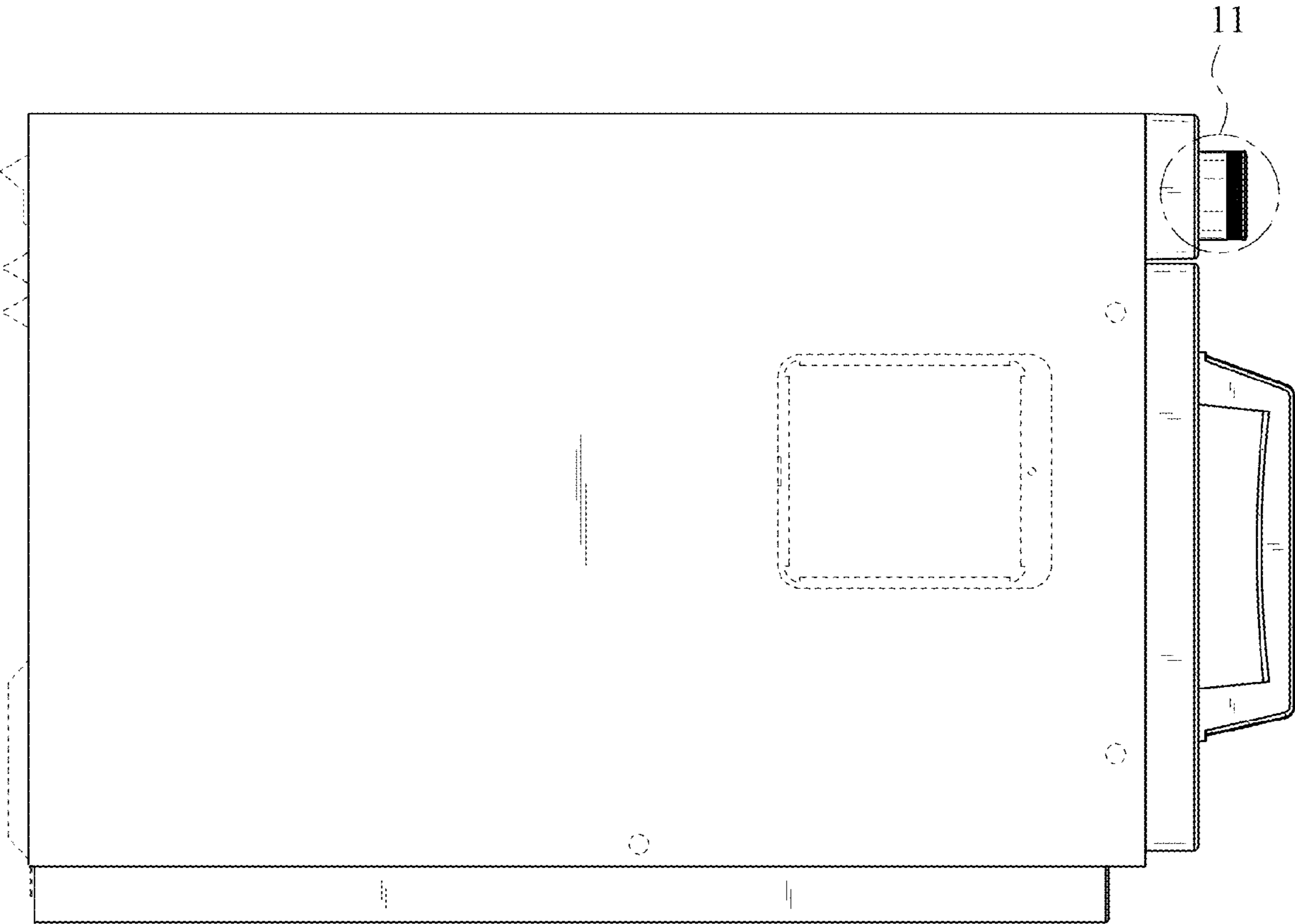


FIG. 5

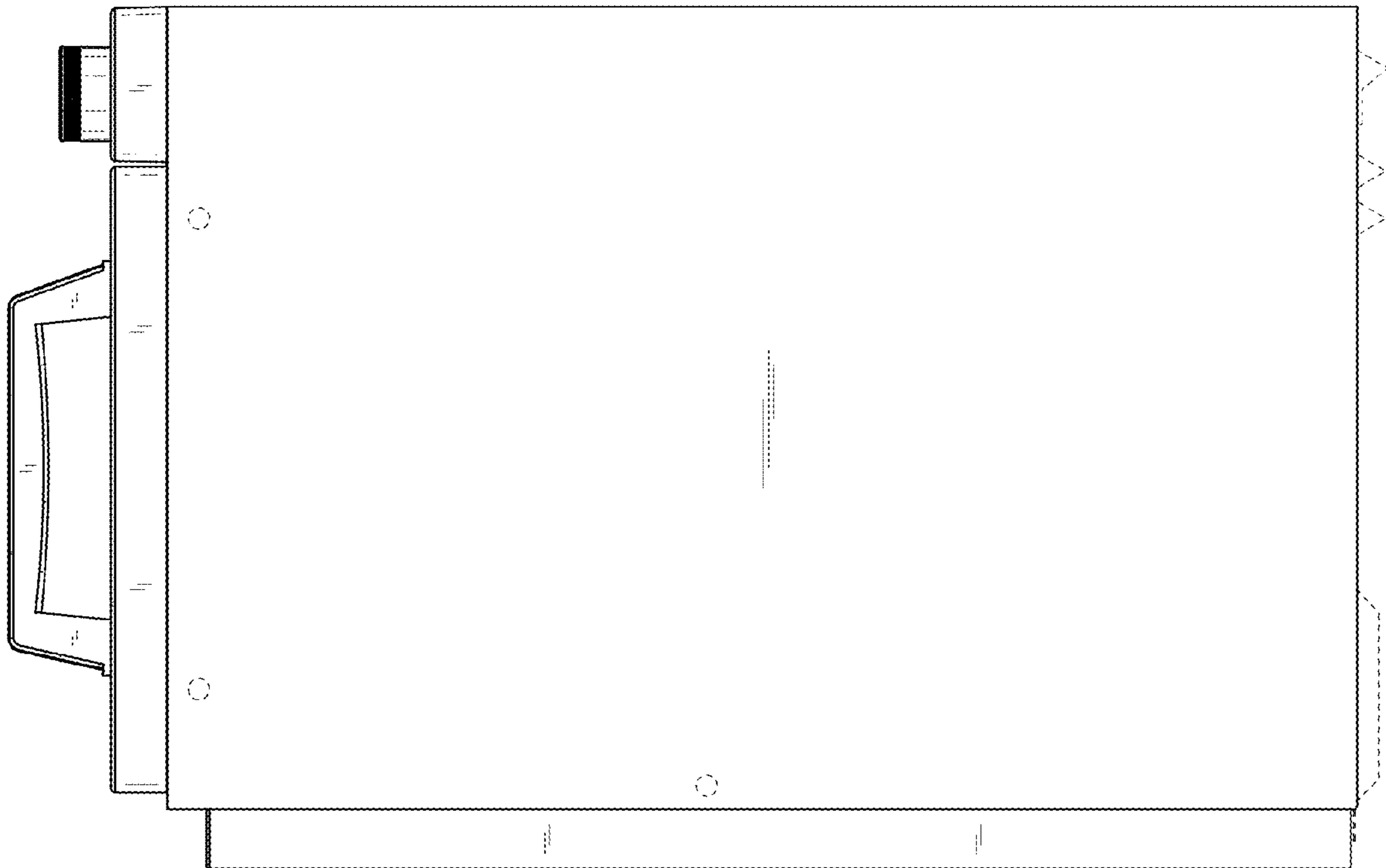


FIG. 6

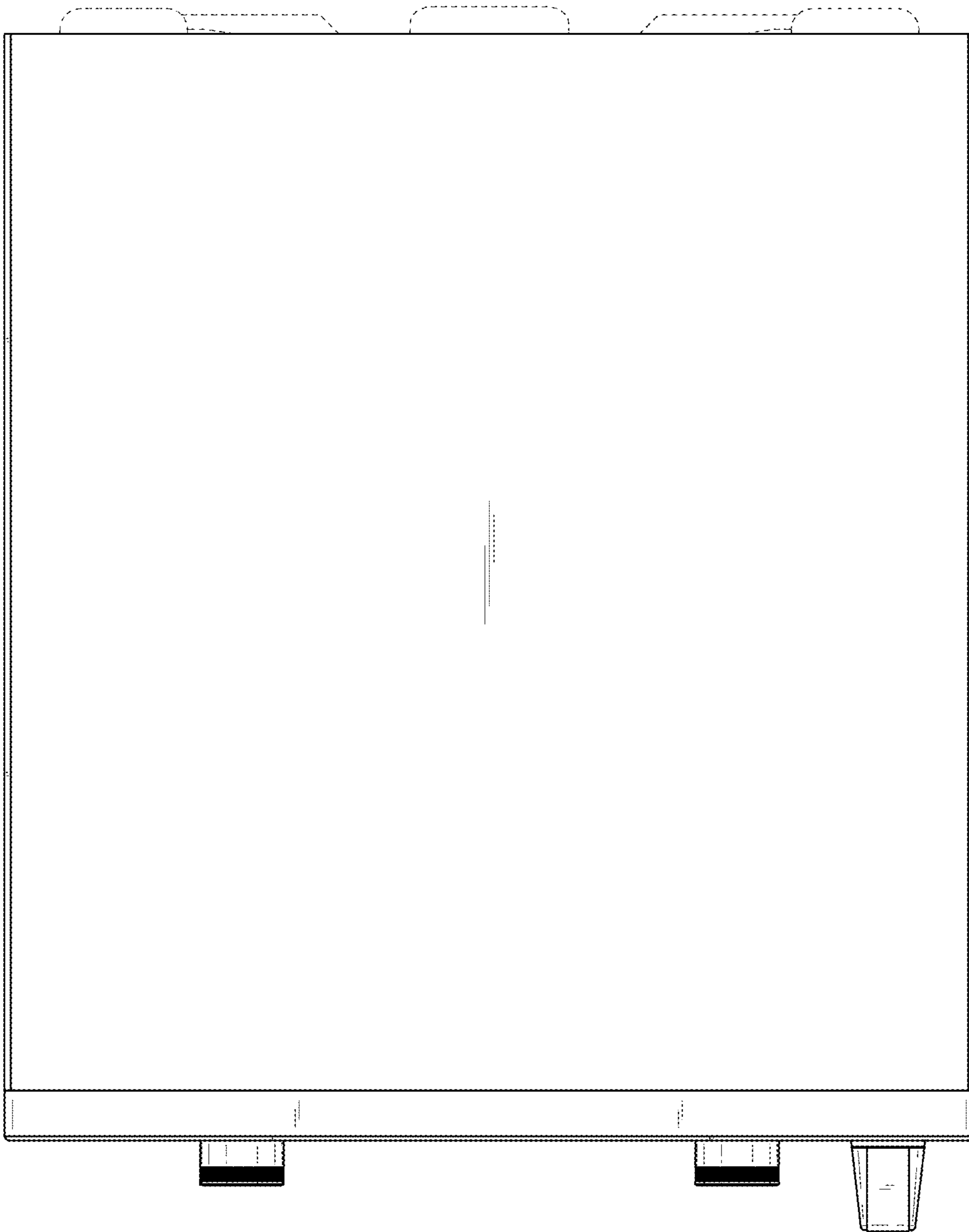


FIG. 7

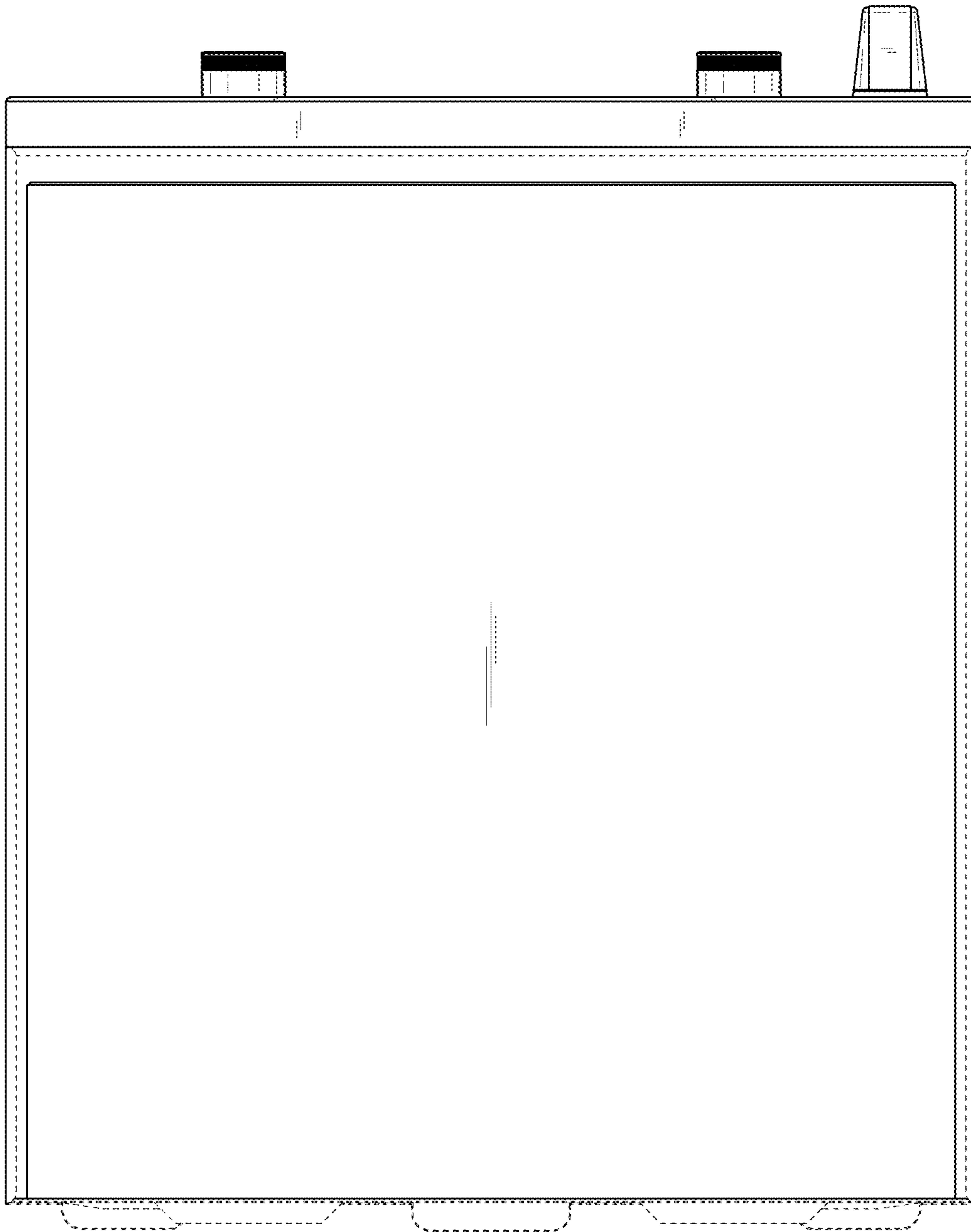


FIG. 8

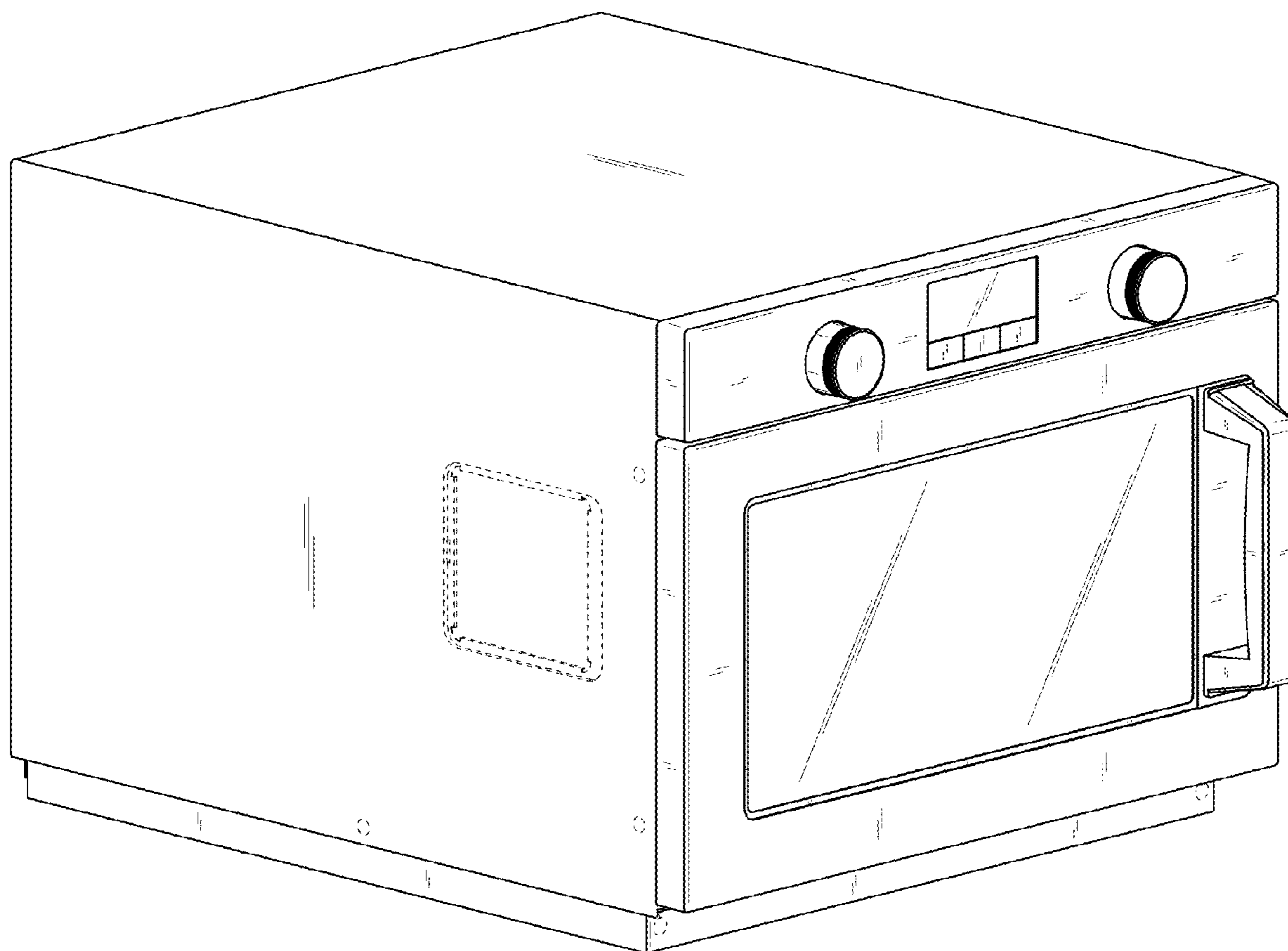


FIG. 9

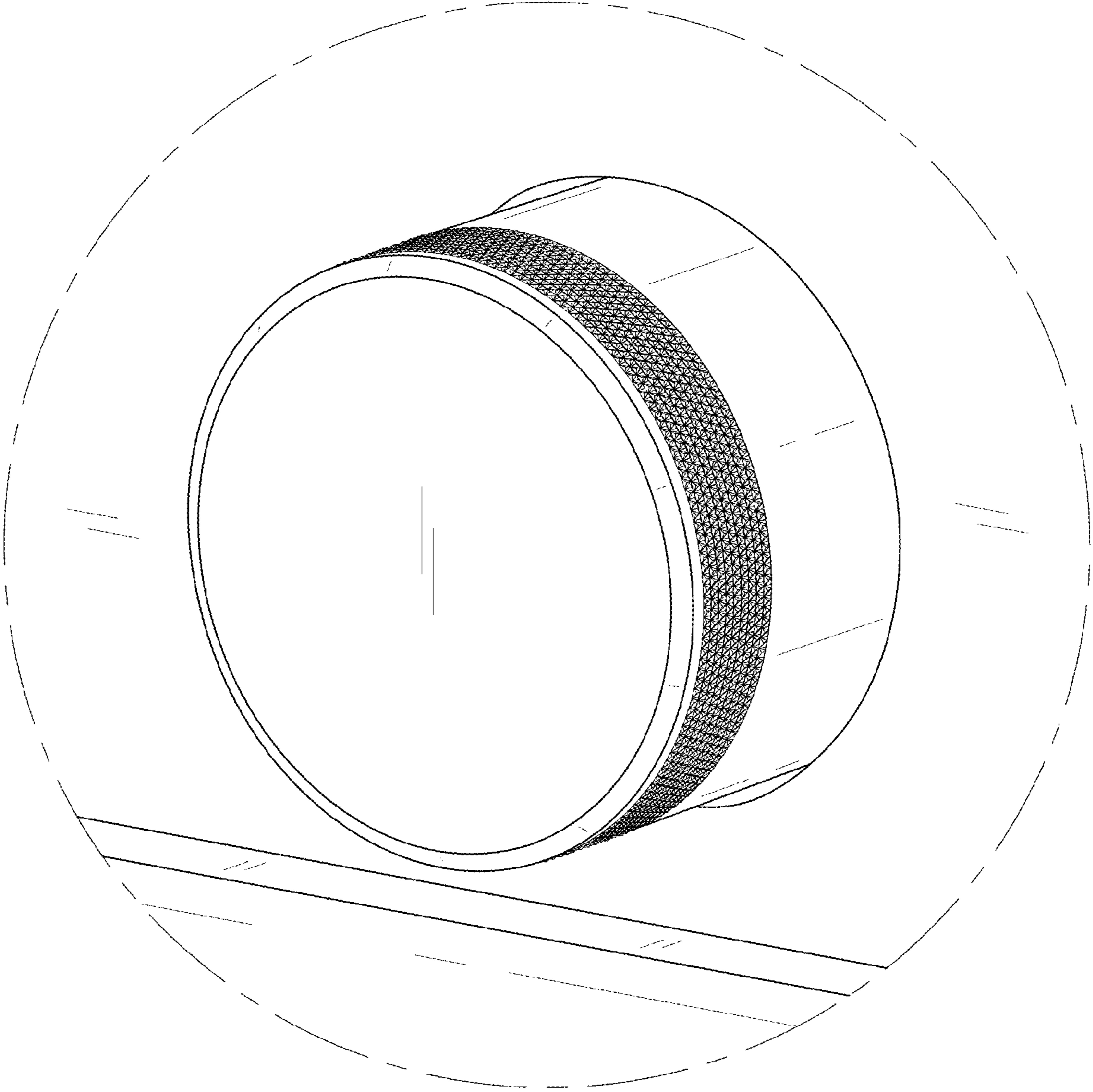


FIG. 10

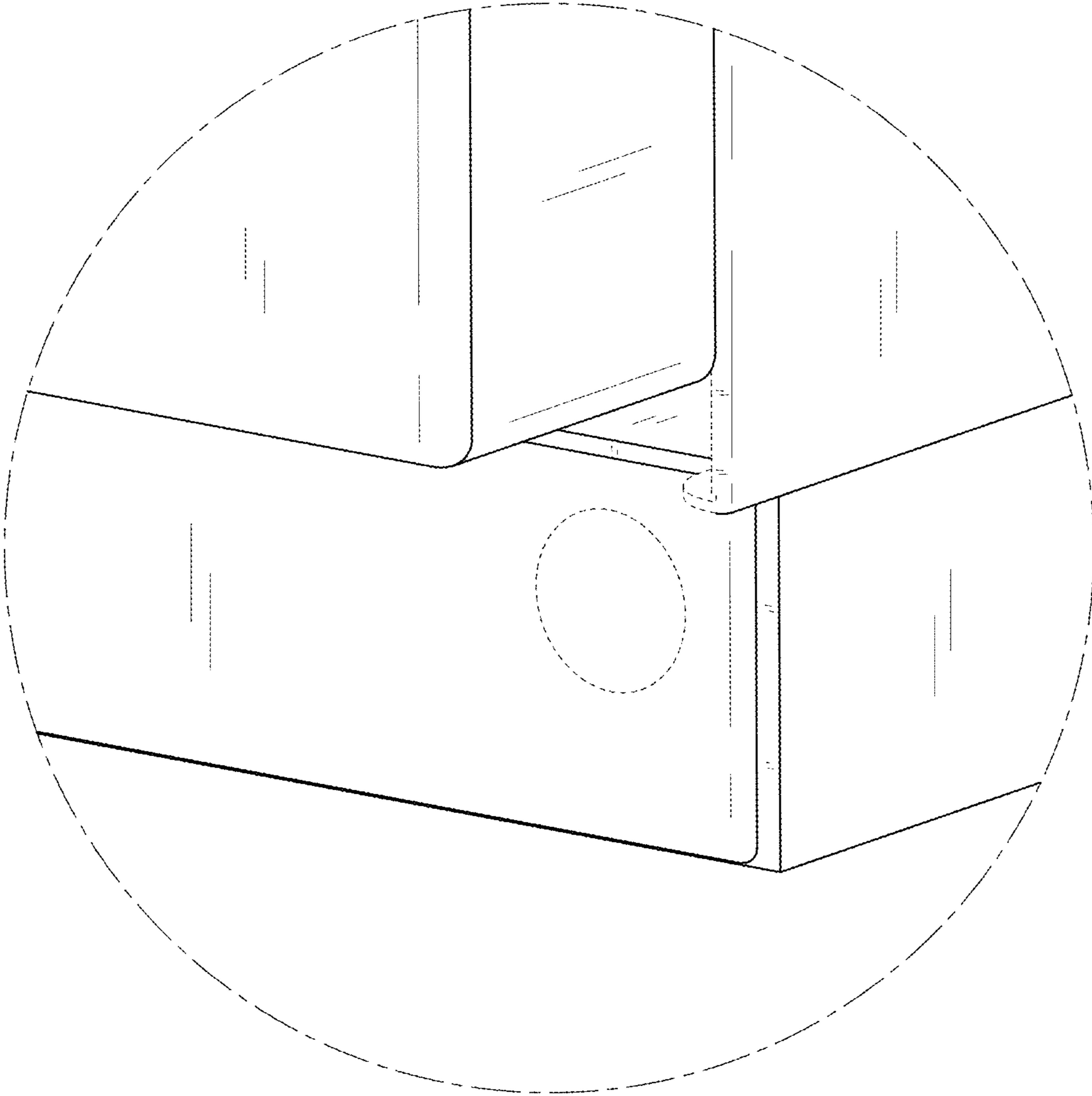


FIG. 11

