



US00D956464S

(12) **United States Design Patent** (10) **Patent No.:** **US D956,464 S**
Yun et al. (45) **Date of Patent:** **** Jul. 5, 2022**

(54) **MICROWAVE**

FOREIGN PATENT DOCUMENTS

(71) Applicant: **SAMSUNG ELECTRONICS CO., LTD.**, Suwon-si (KR)

CN 303836122 S 9/2016
CN 305085080 S 3/2019

(Continued)

(72) Inventors: **Deok-Sang Yun**, Suwon-si (KR);
Hwan-Woong Choi, Suwon-si (KR);
Hyun-Soo Kim, Suwon-si (KR)

OTHER PUBLICATIONS

(73) Assignee: **SAMSUNG ELECTRONICS CO., LTD.**, Gyeonggi-Do (KR)

1.1 cu. ft. Smart SLIM Over-the-Range Microwave, Samsung, [online], [site visited Feb. 10, 2022] Available from internet URL: <https://www.samsung.com/us/home-appliances/microwaves/over-the-range/1-1-cu--ft--smart-slim-over-the-range-microwave-with-550-cfm-hood-ventilation--wi-fi---voice-control-in-stainless-steel-me11a7710ds-aa/> (Year: 2022).*

(**) Term: **15 Years**

(21) Appl. No.: **29/739,743**

Primary Examiner — Mary Ann Calabrese

(22) Filed: **Jun. 29, 2020**

Assistant Examiner — Natalya M Rapundalo

(30) **Foreign Application Priority Data**

Mar. 26, 2020 (KR) 30-2020-0013521

(74) *Attorney, Agent, or Firm* — Cantor Colburn LLP

(51) **LOC (13) Cl.** **07-02**

(57) **CLAIM**

(52) **U.S. Cl.**
USPC **D7/351**

The ornamental design for a microwave, as shown and described.

(58) **Field of Classification Search**
USPC D7/323, 328, 332–337, 339, 340,
D7/347–351, 354, 387, 393, 396, 402,
D7/405–409

DESCRIPTION

CPC A47J 37/00; A47J 37/06; A47J 37/0605;
A47J 37/0623; A47J 37/0629; A47J
37/0635; A47J 37/0641; A47J 37/0647;
A47J 37/0658; F24C 7/00; F24C 7/02;
F24C 7/04

FIG. 1 is a front perspective view of a microwave, showing our new design;
FIG. 2 is a front view thereof;
FIG. 3 is a rear view thereof;
FIG. 4 is a left-side view thereof;
FIG. 5 is a right-side view thereof;
FIG. 6 is a top view thereof;
FIG. 7 is a bottom view thereof;
FIG. 8 is a bottom perspective view of thereof;
FIG. 9 is an enlarged view of the encircled portion 9 in FIG. 1; and,
FIG. 10 is an enlarged view of the encircled portion 10 in FIG. 1.

See application file for complete search history.

The even-dash broken lines illustrating portions of the microwave form no part of the claimed design. The dot-dash broken lines encircling enlargement portions of the microwave form no part of the claimed design.

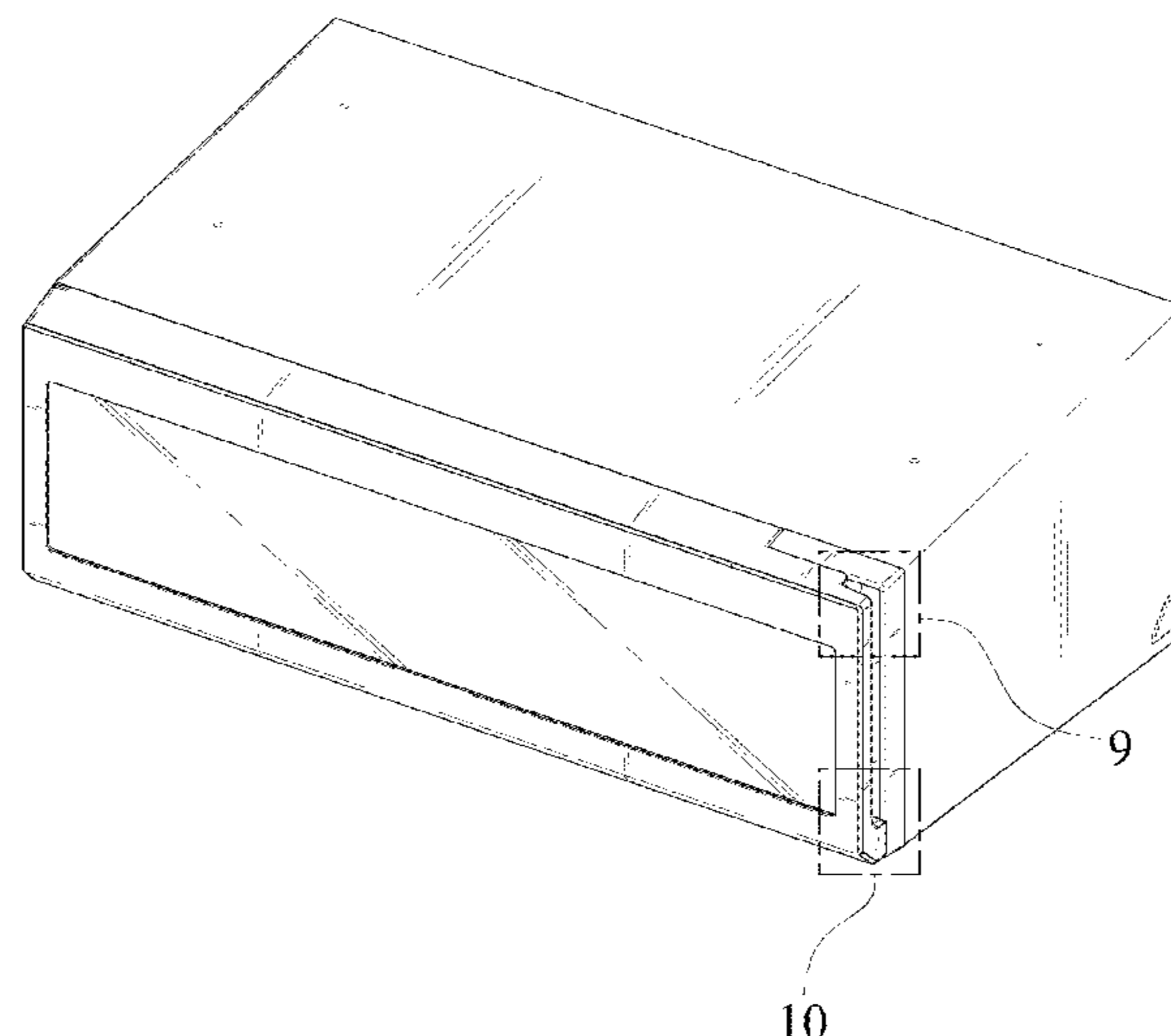
(56) **References Cited**

U.S. PATENT DOCUMENTS

D329,164 S * 9/1992 Edman D7/351
D779,876 S 2/2017 Chung et al.
D813,591 S * 3/2018 Baacke D7/339
D836,376 S * 12/2018 Kim D7/351

(Continued)

1 Claim, 10 Drawing Sheets



(56)

References Cited

U.S. PATENT DOCUMENTS

D859,053 S * 9/2019 Baacke D7/339
D873,064 S * 1/2020 Kim D7/351
D898,502 S * 10/2020 Ledford D7/351
D908,416 S * 1/2021 Huang D7/347
D927,241 S * 8/2021 Huang H05B 6/80
D929,179 S * 8/2021 Kim D7/405
D939,884 S * 1/2022 Huang D7/349
2019/0166658 A1 * 5/2019 Zhang H05B 6/80

FOREIGN PATENT DOCUMENTS

EM 001019756-0009 10/2008
EM 001230833-0015 8/2010

* cited by examiner

FIG. 1

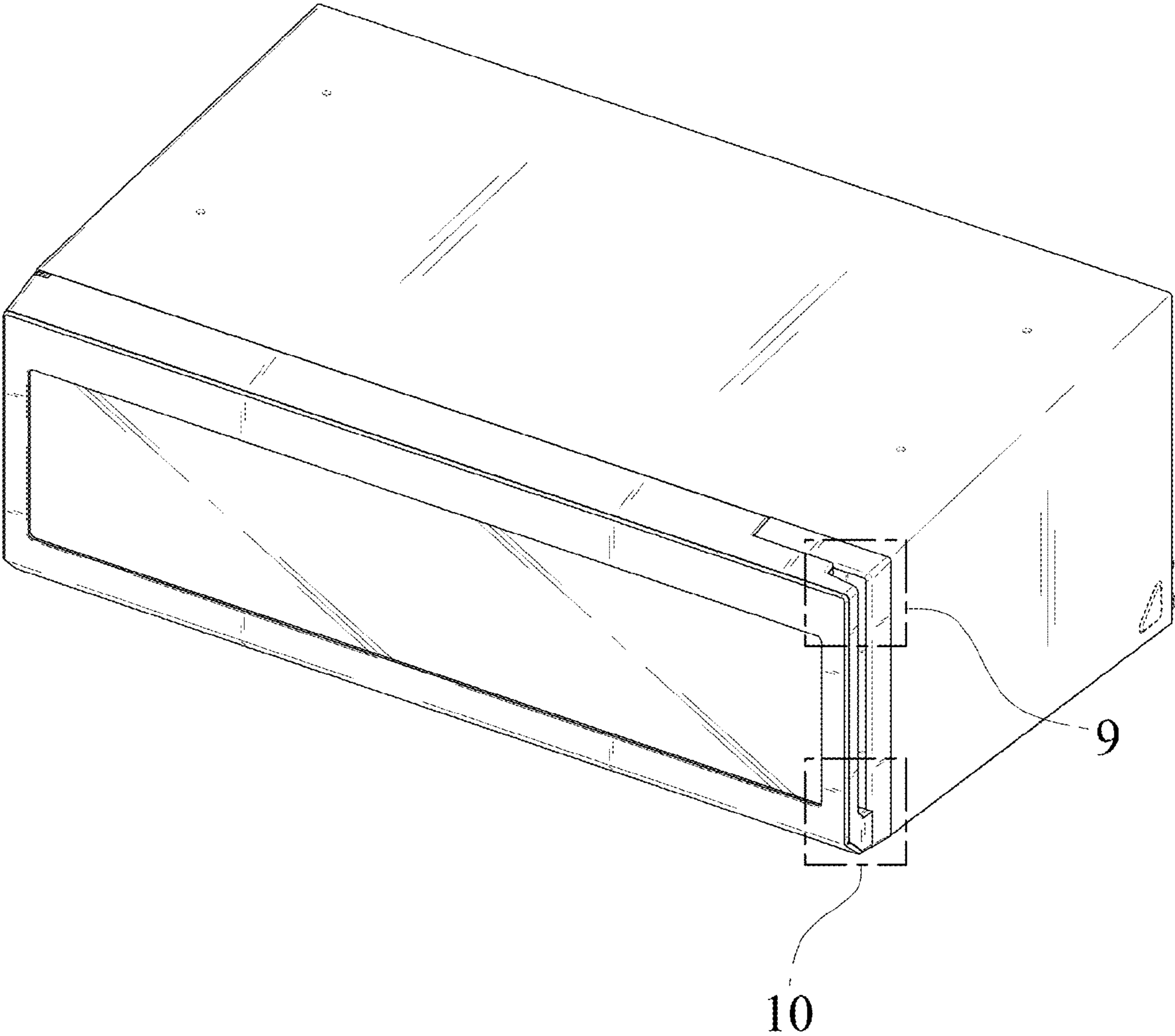


FIG. 2

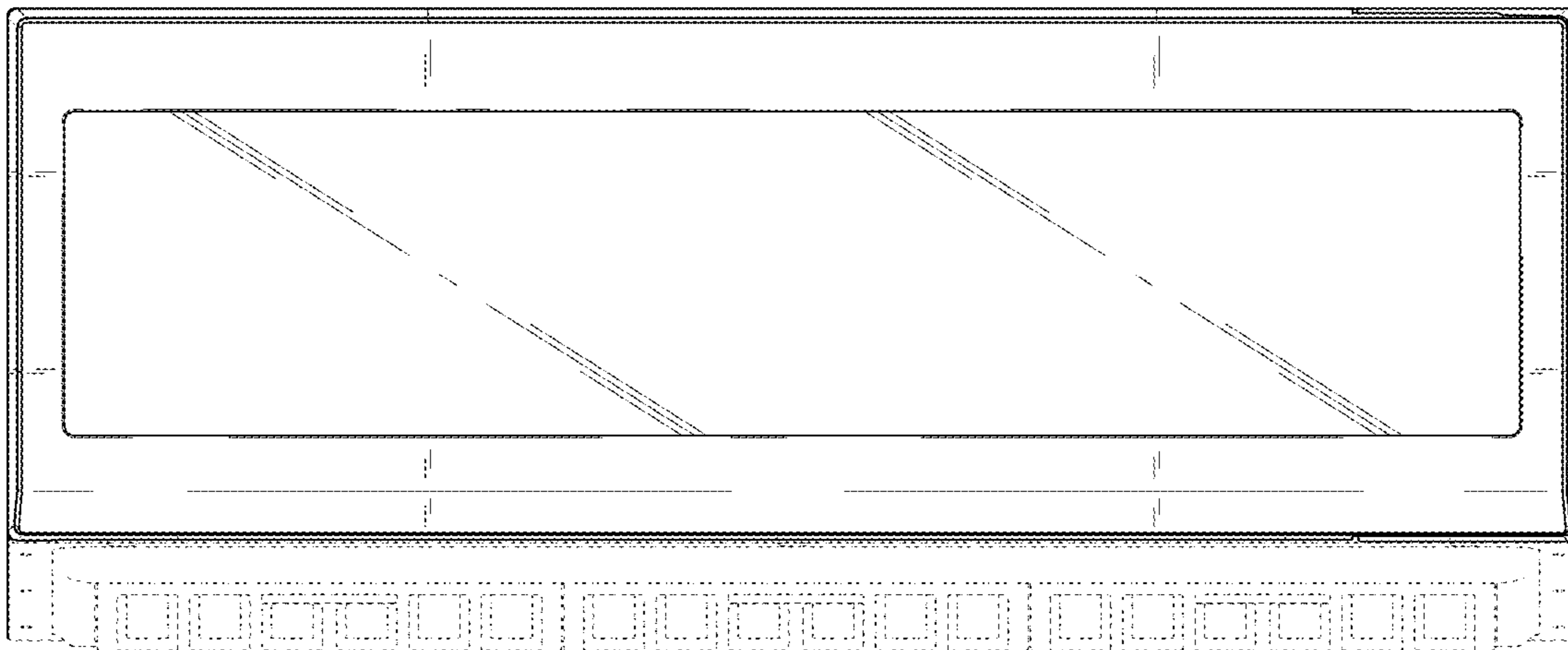


FIG. 3

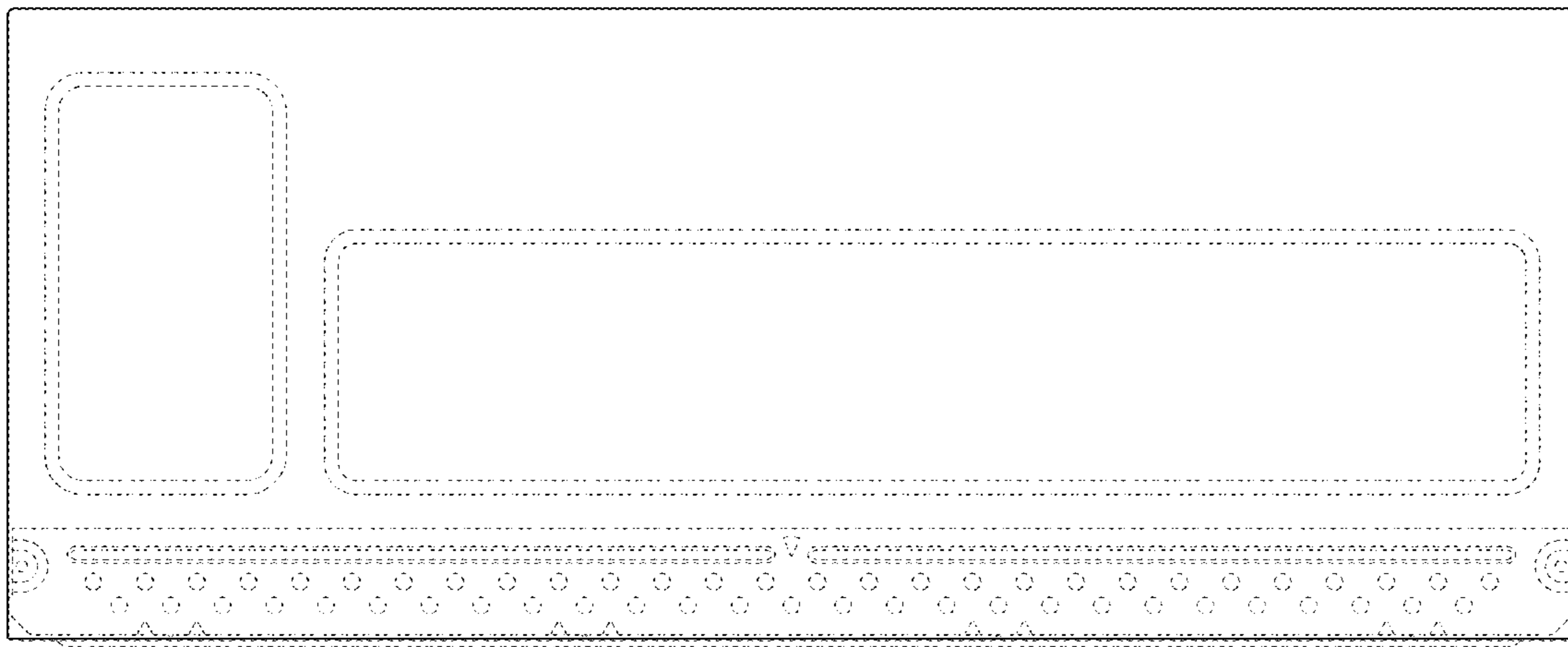


FIG. 4

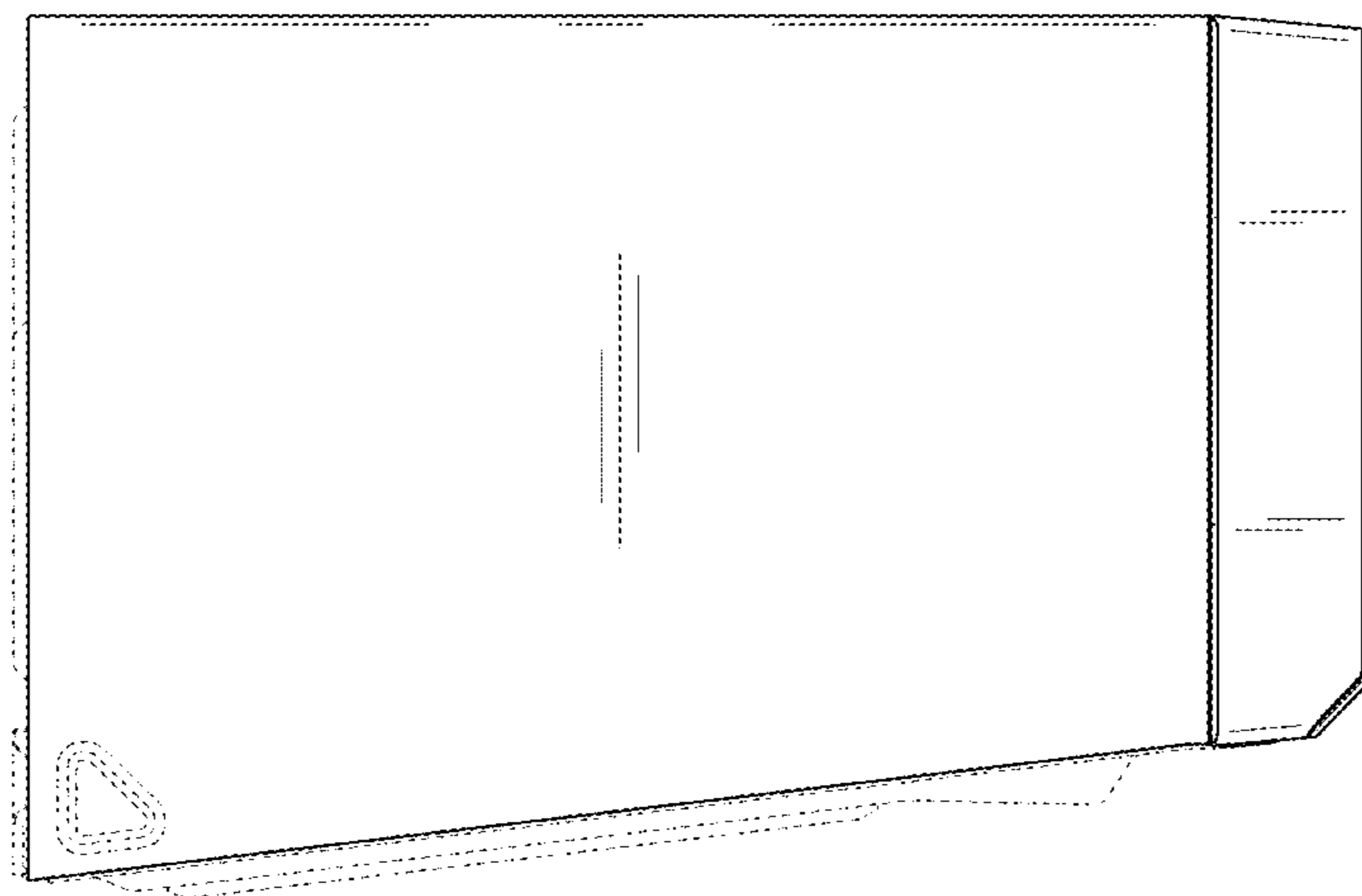


FIG. 5

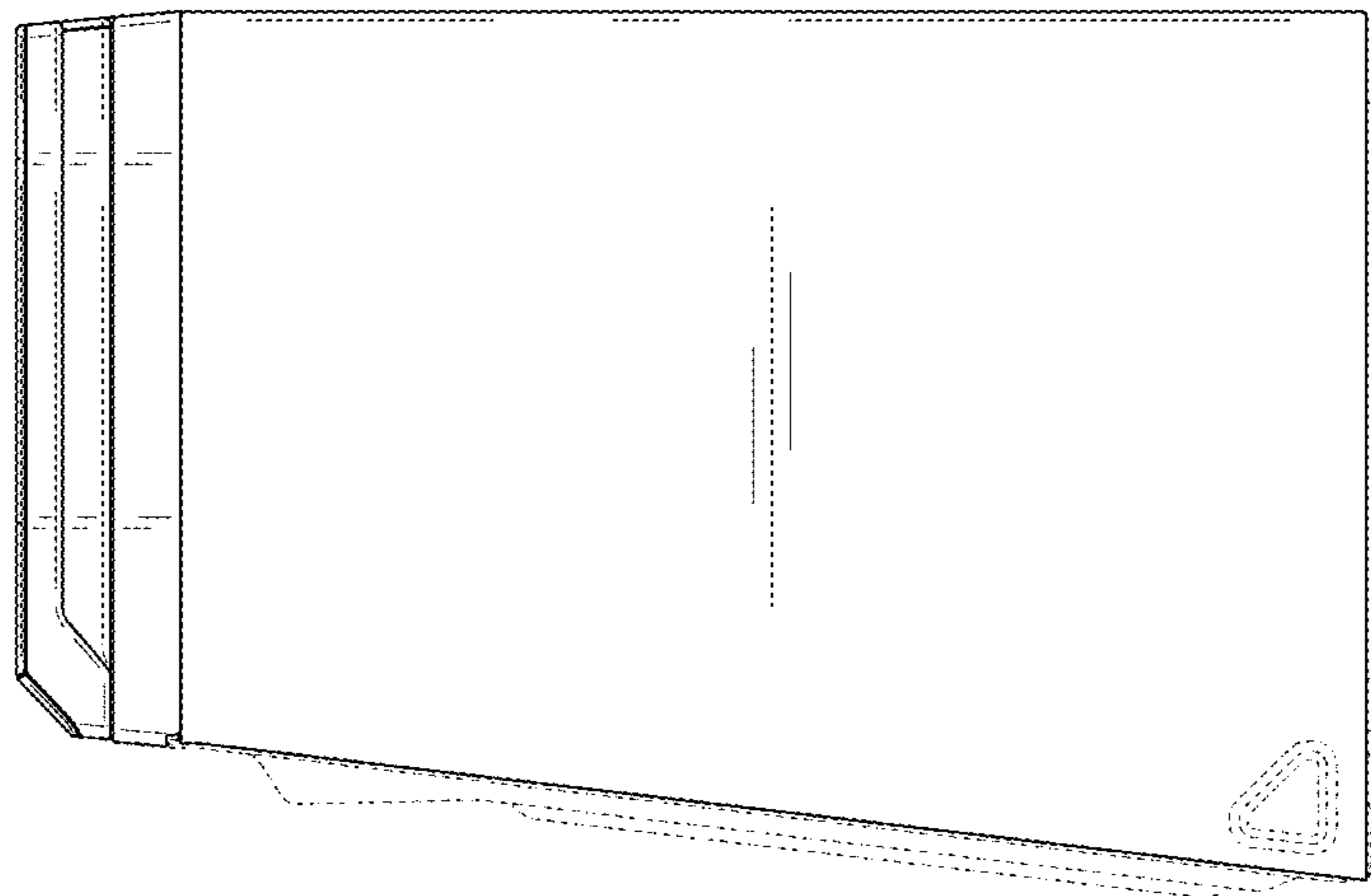


FIG. 6

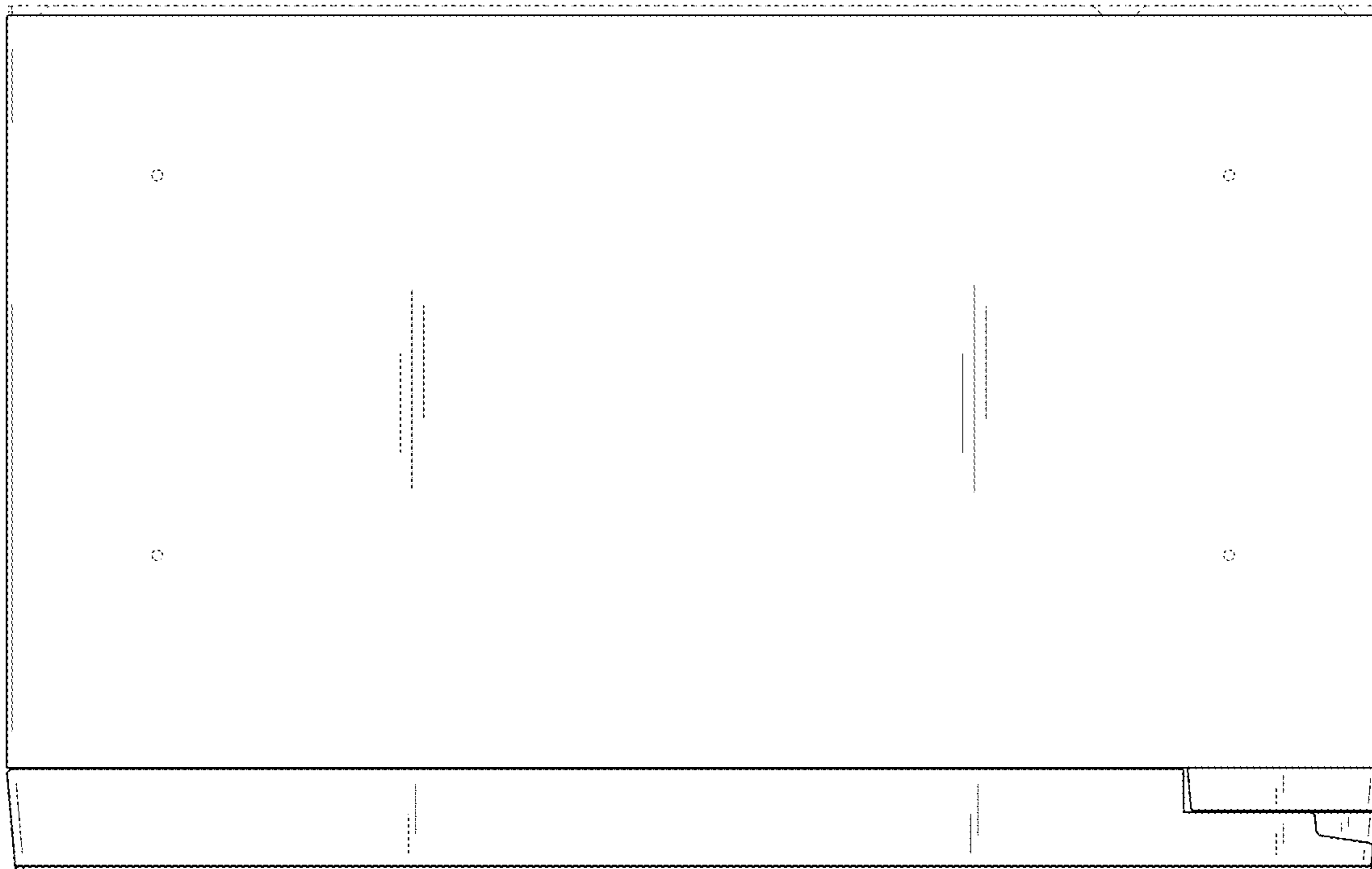


FIG. 7

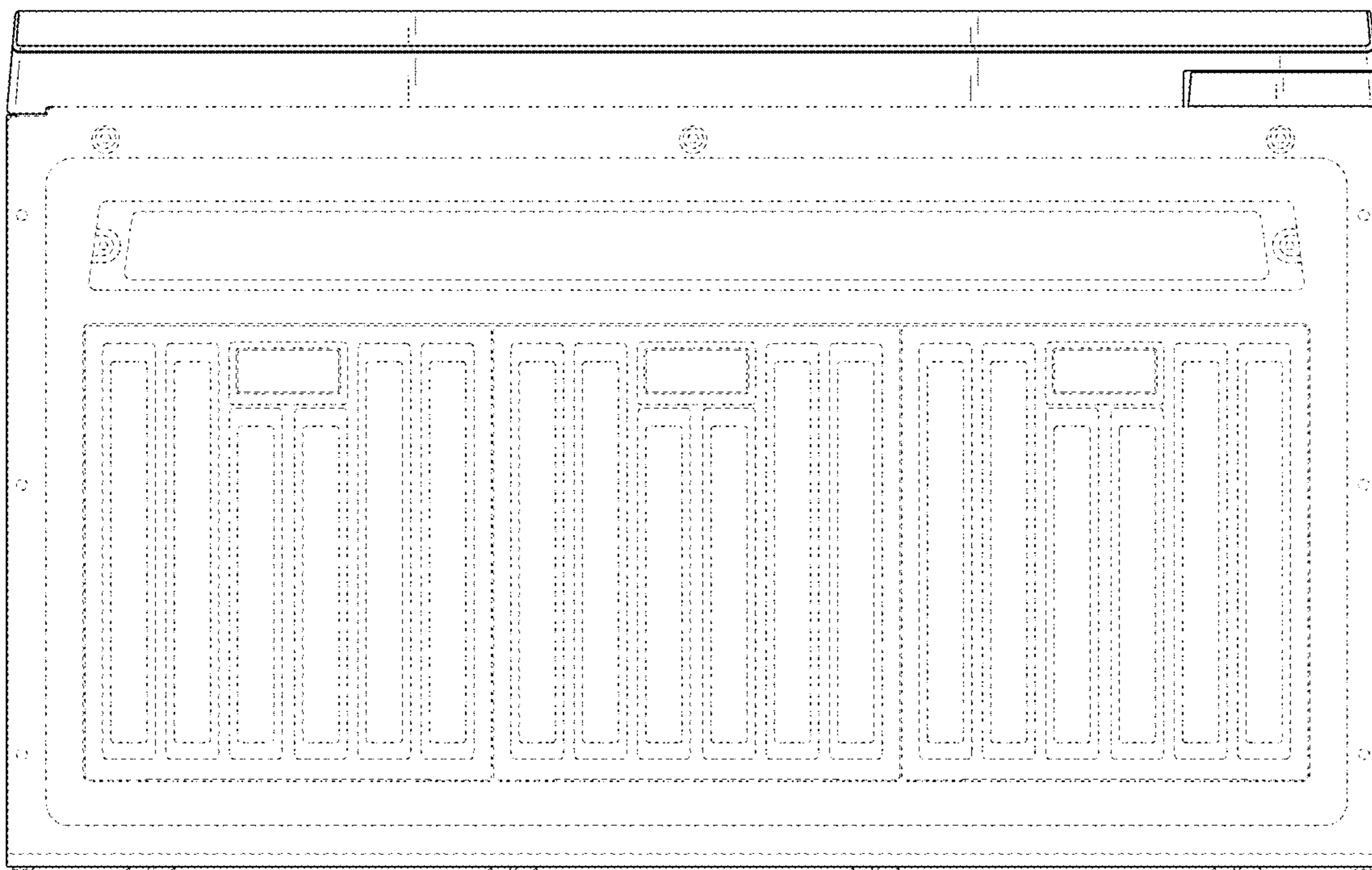


FIG. 8

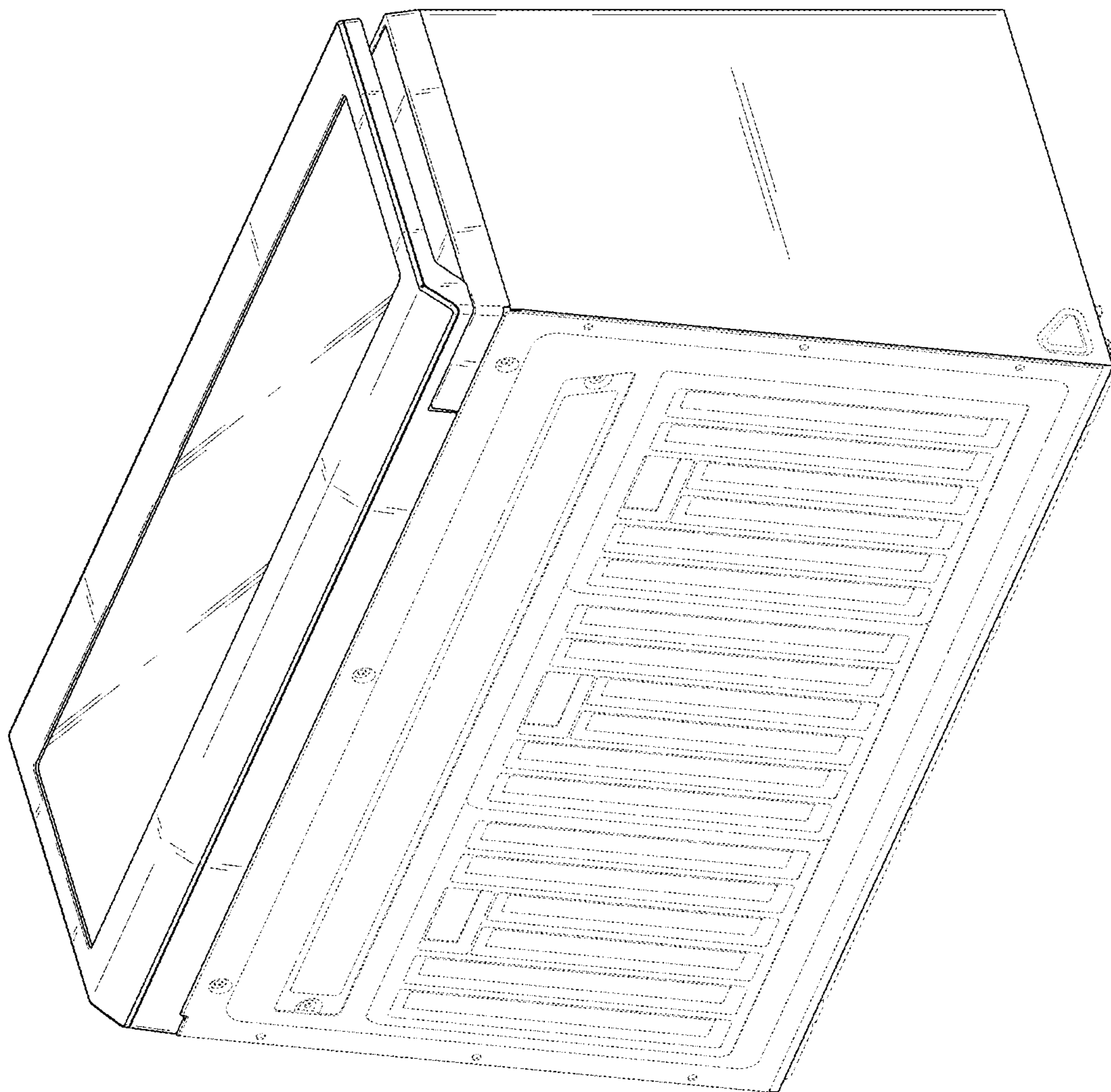


FIG. 9

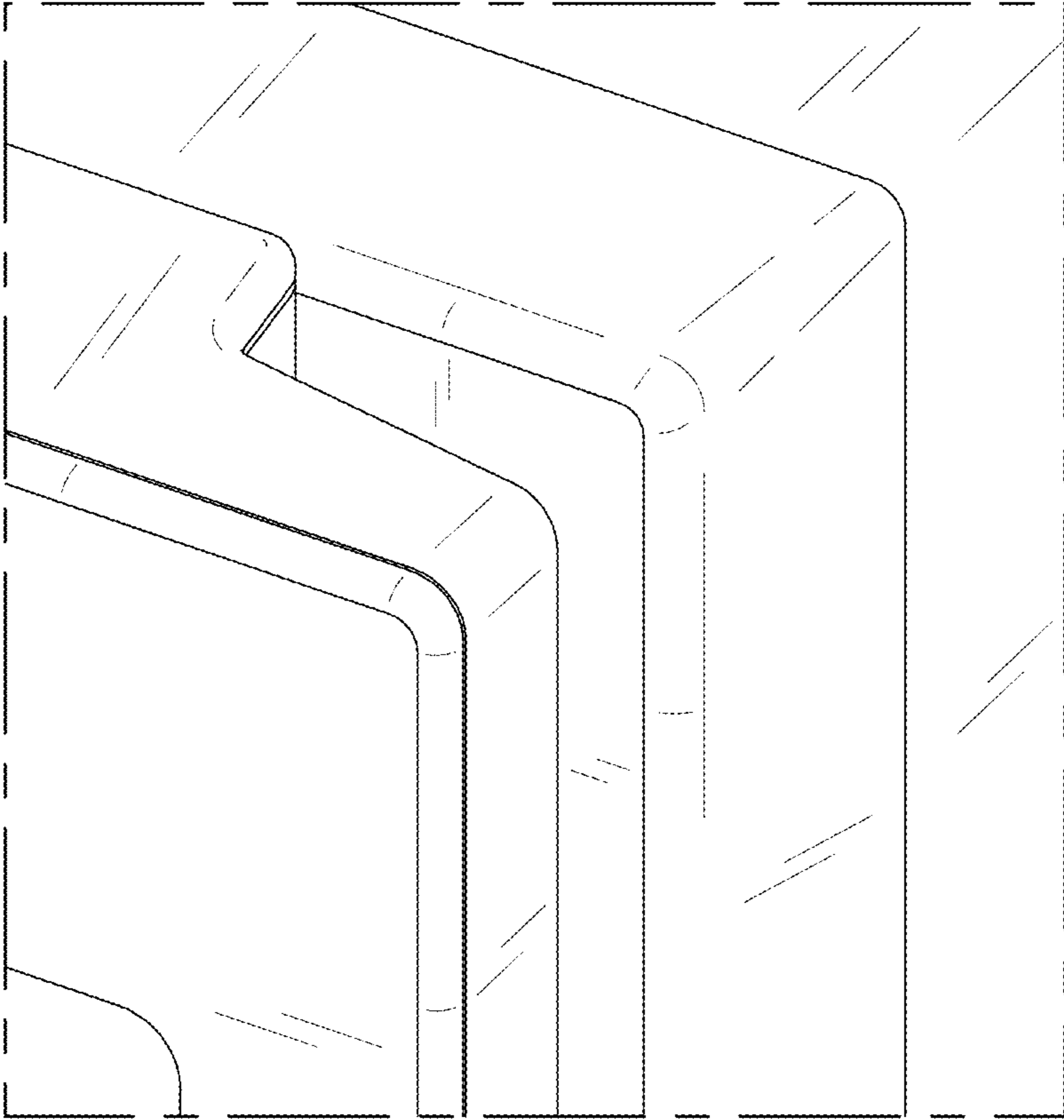


FIG. 10

