



US00D956463S

(12) **United States Design Patent**
Kim et al.

(10) **Patent No.:** **US D956,463 S**
(45) **Date of Patent:** **** Jul. 5, 2022**

(54) **DRIP COFFEE MACHINE**

FOREIGN PATENT DOCUMENTS

(71) Applicant: **LG ELECTRONICS INC.**, Seoul (KR)

CN 304147311 * 5/2017

(72) Inventors: **Byeongkook Kim**, Seoul (KR);
Woonkyu Seo, Seoul (KR); **Hanjin Jung**, Seoul (KR); **Hyun Choi**, Seoul (KR)

OTHER PUBLICATIONS

“Calphalon Special Brew Coffee Maker Instruction Manual,” Oct. 14, 2018, pp. 1, 5, <http://images.calphalon.com/is/content/Calphalon/PDF/BVCLDCG1.pdf> (Year: 2018).*

(73) Assignee: **LG ELECTRONICS INC.**, Seoul (KR)

(Continued)

(**) Term: **15 Years**

Primary Examiner — Joseph Kukella

Assistant Examiner — Arva P Adams

(21) Appl. No.: **29/798,338**

(74) *Attorney, Agent, or Firm* — Birch, Stewart, Kolasch & Birch, LLP

(22) Filed: **Jul. 7, 2021**

(30) **Foreign Application Priority Data**

Jan. 12, 2021 (KR) 30-2021-0001570

(51) **LOC (13) Cl.** **07-01**

(52) **U.S. Cl.**
USPC **D7/309**; D7/306; D7/310; D7/311

(58) **Field of Classification Search**
USPC D7/300, 305–313, 355, 362, 365, 367,
D7/397–400; D15/80, 82; D23/207, 238,
D23/239

CPC A47J 31/00; A47J 31/0573; A47J 31/0615;
A47J 31/18; A47J 31/32; A47J 31/369;
A47J 31/407; A47J 31/4407; A47J
31/445; A47J 31/4482; A47J 31/46; A47J
31/467; A47J 31/50; A47J 31/525; A23F
5/262; A23F 5/265; A23F 5/267; B67D
1/0021; A23L 2/54; B67C 3/065

See application file for complete search history.

(56) **References Cited**

U.S. PATENT DOCUMENTS

D218,191 S * 7/1970 Tevolitz D7/309
D229,897 S * 1/1974 Martin D7/309
D248,720 S * 8/1978 Sato D7/309

(Continued)

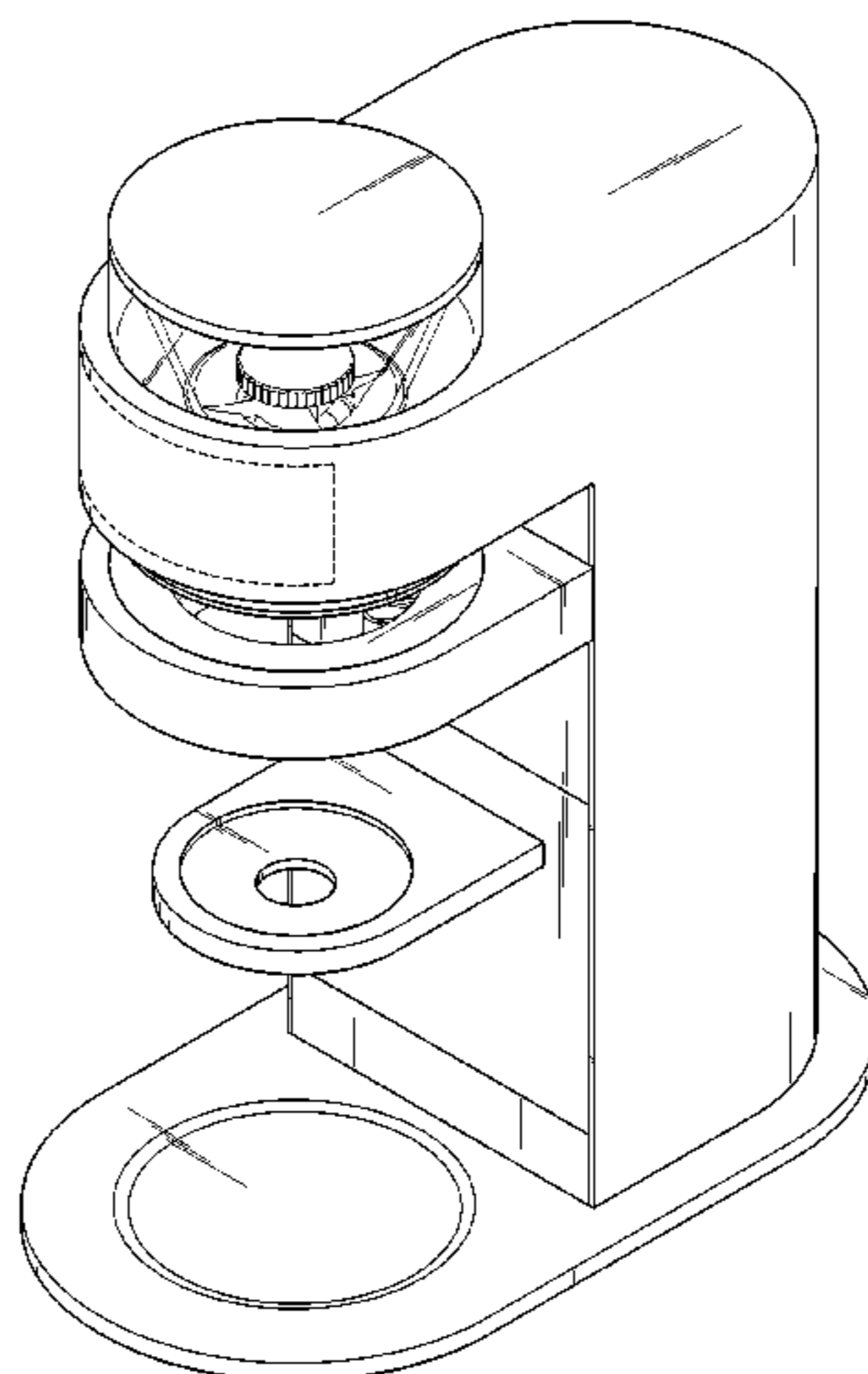
(57) **CLAIM**

We claim the ornamental design for a drip coffee machine, as shown and described.

DESCRIPTION

FIG. 1 is a front perspective view of a drip coffee machine showing a new design;
FIG. 2 is a bottom perspective view thereof;
FIG. 3 is a front view thereof;
FIG. 4 is a rear view thereof;
FIG. 5 is a left-side elevation view thereof;
FIG. 6 is a right-side elevation view thereof;
FIG. 7 is a top plan view thereof;
FIG. 8 is a bottom plan view thereof; and,
FIG. 9 is a perspective view showing a state of use thereof. The broken lines in FIG. 9 are for environment purpose only and form no part of the claimed design. The broken lines shown in the drawings depict environmental subject matter that forms no part of the claimed design.

1 Claim, 9 Drawing Sheets



(56)

References Cited

U.S. PATENT DOCUMENTS

5,060,558 A * 10/1991 Beumer A47J 31/445
 99/295
 5,913,961 A * 6/1999 Chmiel A47J 31/0573
 99/307
 D546,112 S * 7/2007 Rorke D7/311
 D550,499 S * 9/2007 Argabrite D7/311
 D580,208 S * 11/2008 Cheng D7/311
 D660,637 S * 5/2012 Milewski D23/207
 D669,154 S * 10/2012 Choi D23/207
 D672,187 S * 12/2012 Milewski D7/311
 D683,421 S * 5/2013 Choi D23/207
 D804,893 S * 12/2017 De' Longhi D7/378
 D812,956 S * 3/2018 Liang D7/397
 D825,244 S * 8/2018 Bodum D7/311
 D828,064 S * 9/2018 McDonald D7/311
 D838,531 S * 1/2019 Bodum D7/311
 D846,329 S * 4/2019 Zimmermann D7/311
 D856,058 S * 8/2019 Szabo D7/306
 D879,530 S * 3/2020 Cauwood D7/311
 D882,321 S * 4/2020 Fisher Wong D7/311
 D889,906 S * 7/2020 Yin A47J 31/0573
 D7/397
 D921,151 S * 6/2021 Cho A47J 31/445
 D23/207

OTHER PUBLICATIONS

Bryman, Howard, "Goat Story Unveils the Arco Manual/Electric Grinder," Dec. 15, 2020, Daily Coffee News, <https://dailycoffeenews.com/2020/12/15/goat-story-unveils-the-arco-manual-electric-grinder/> (Year: 2020).*

* cited by examiner

FIG. 1

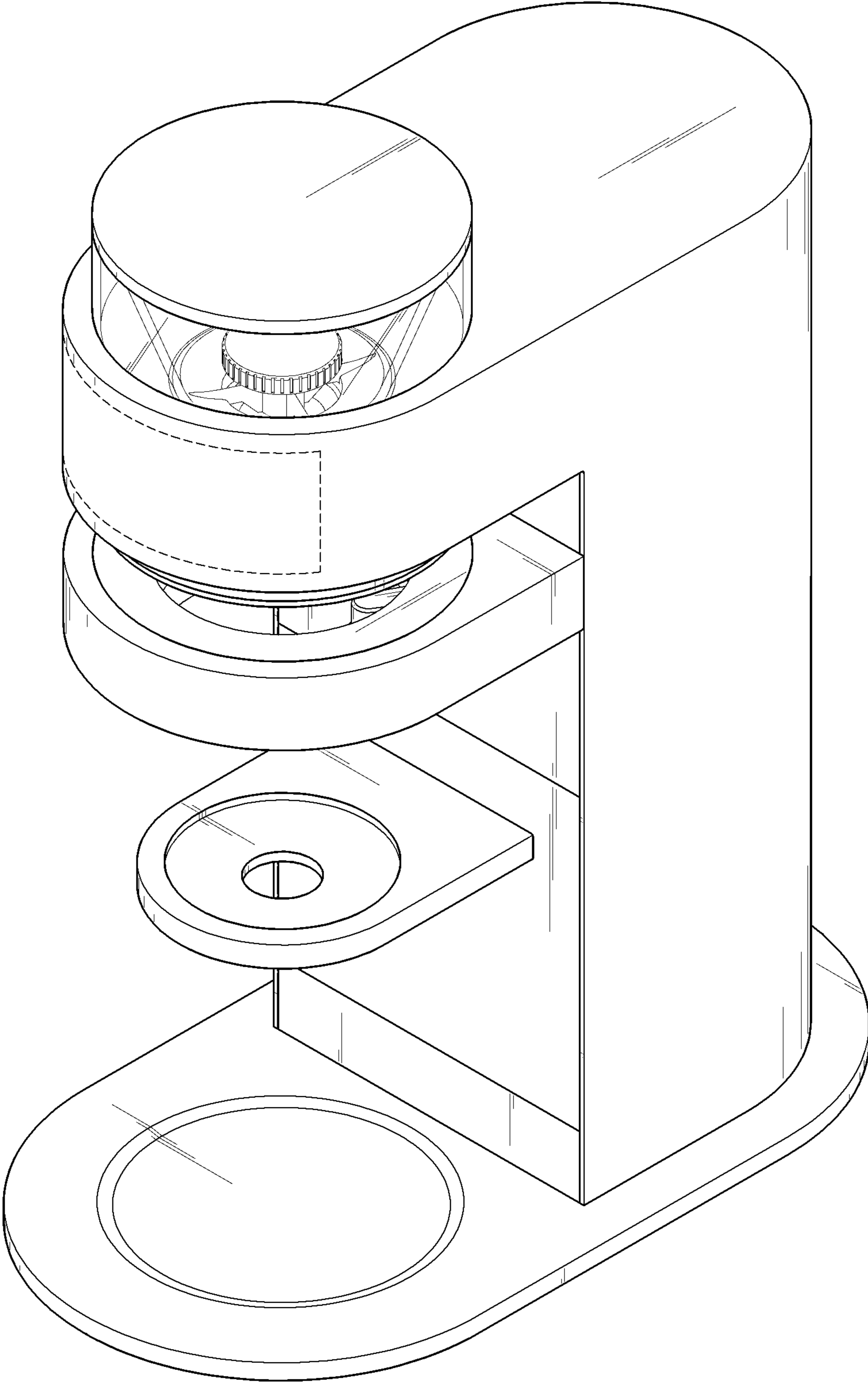


FIG. 2

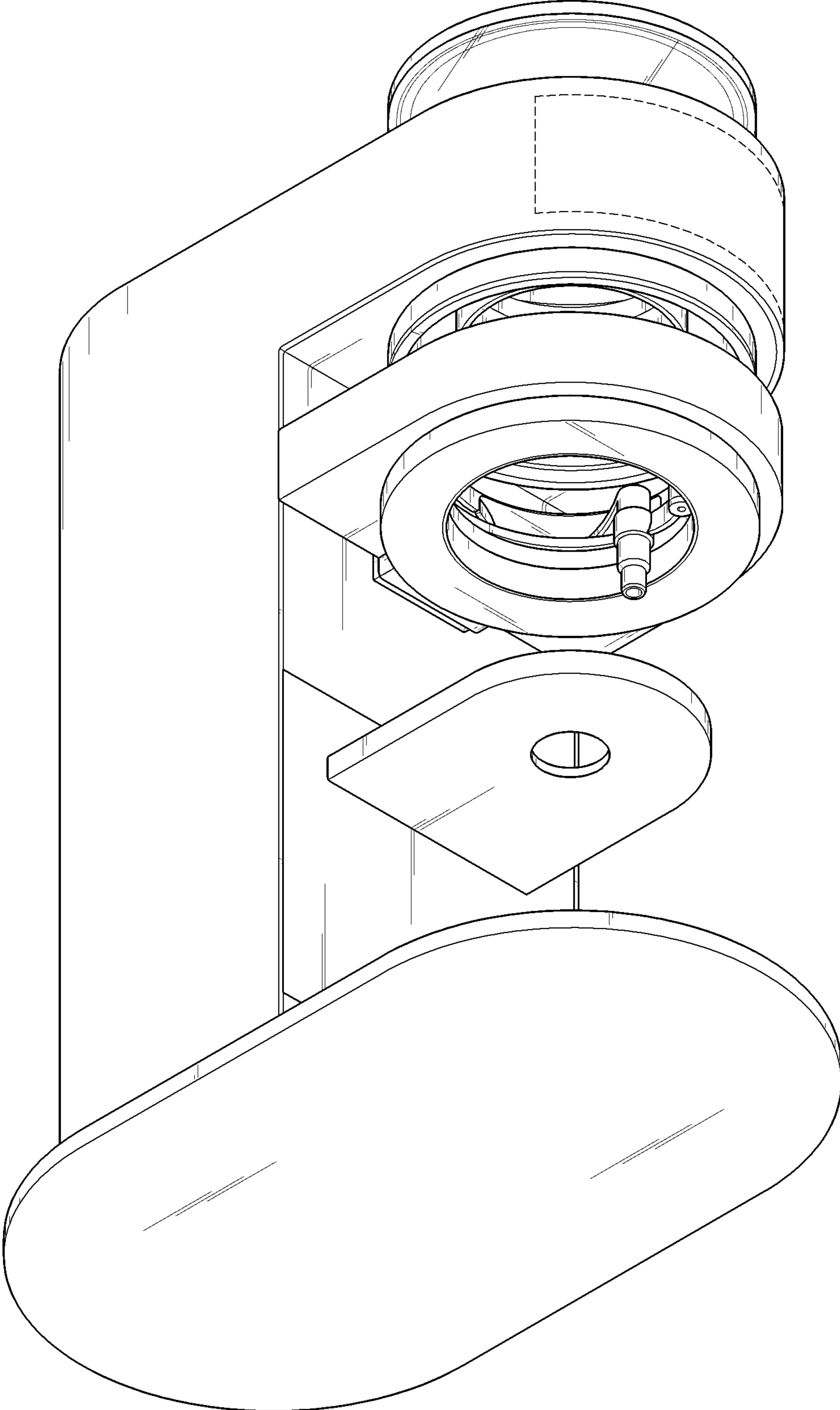


FIG. 3

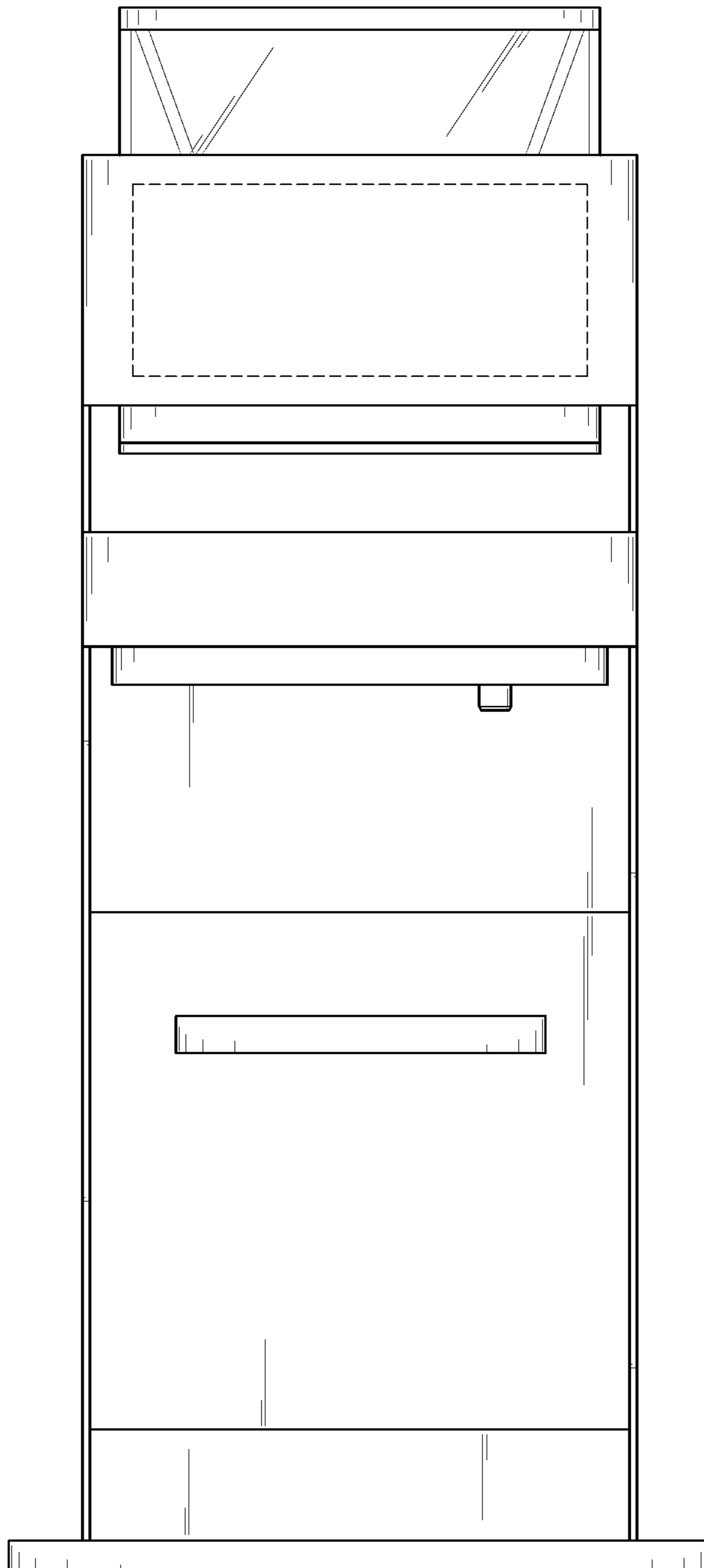


FIG. 4

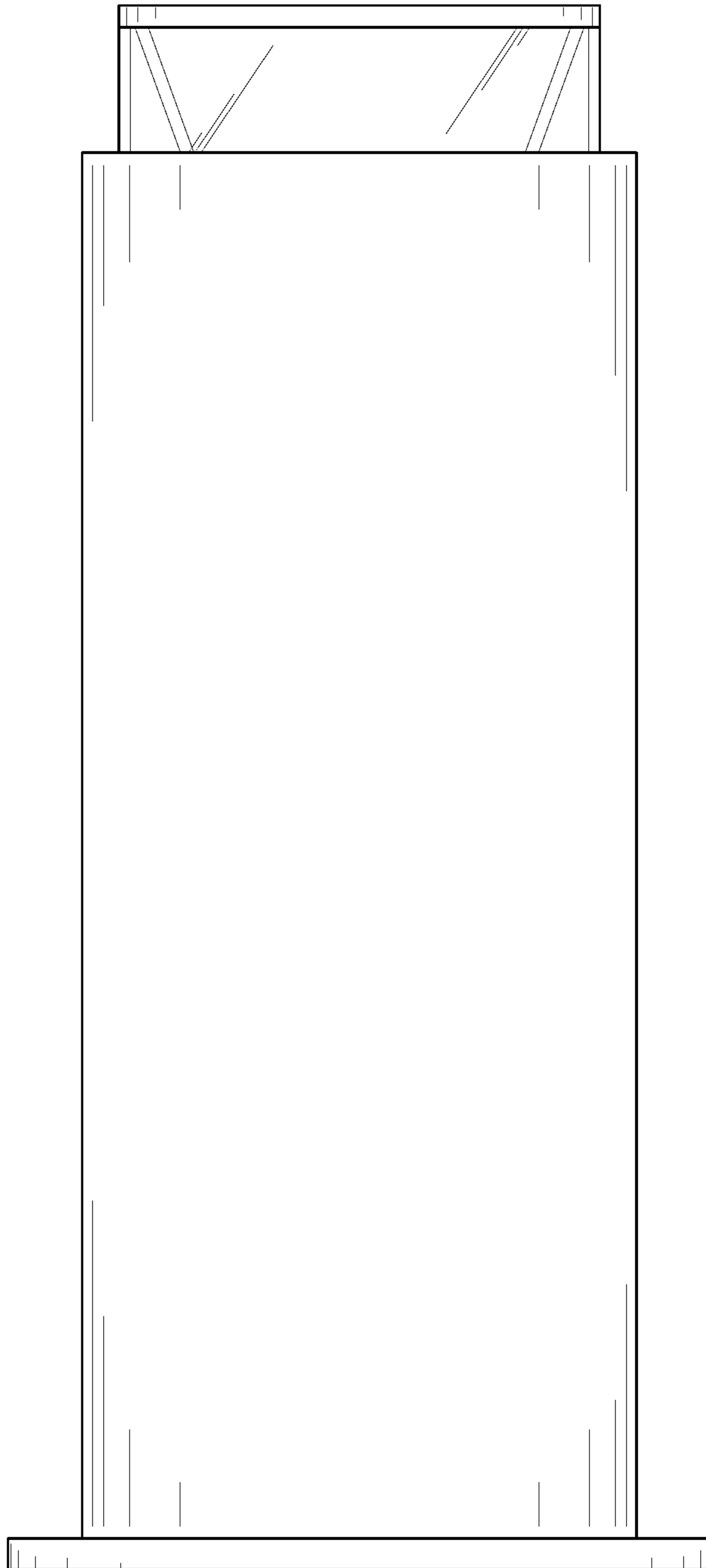


FIG. 5

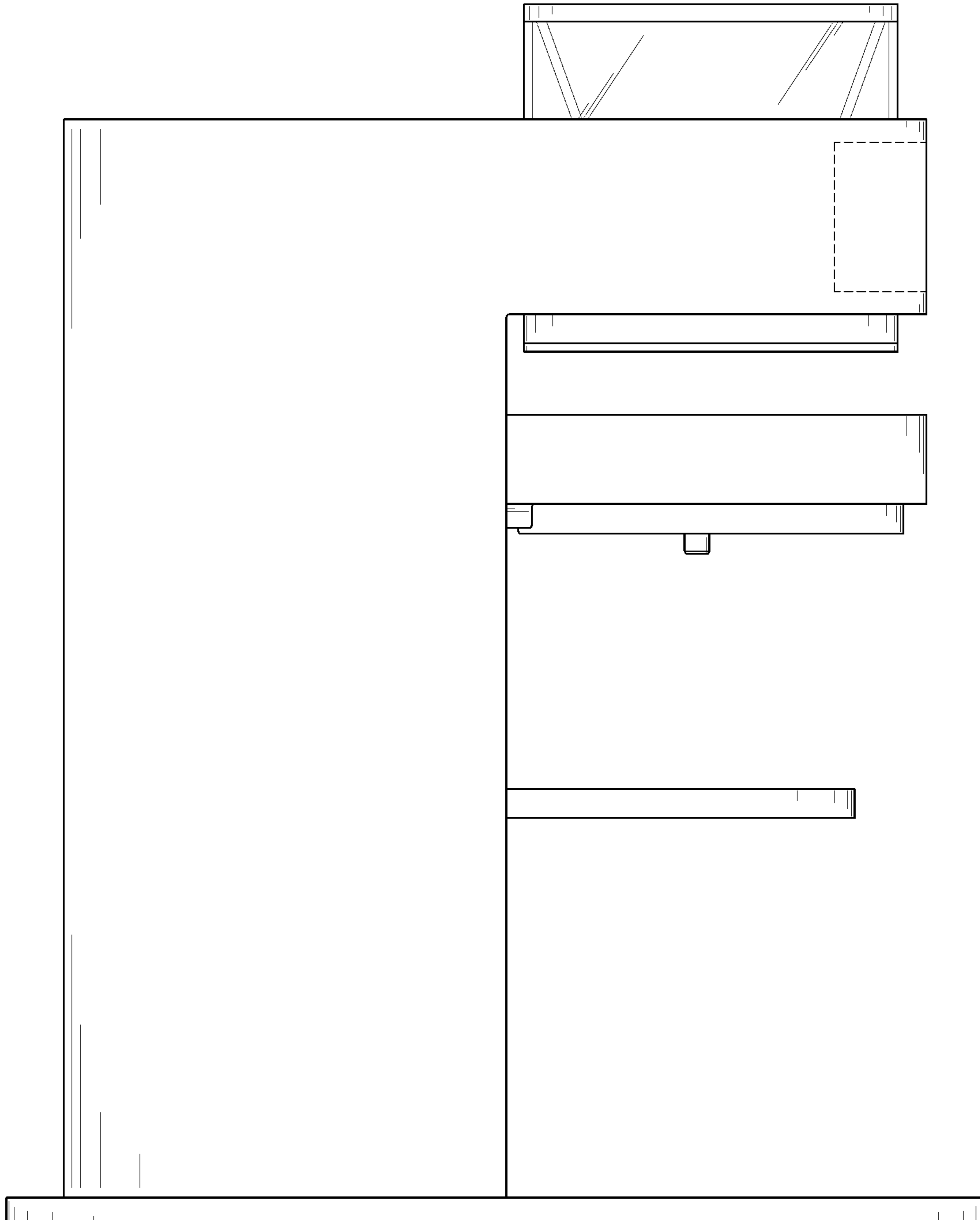


FIG. 6

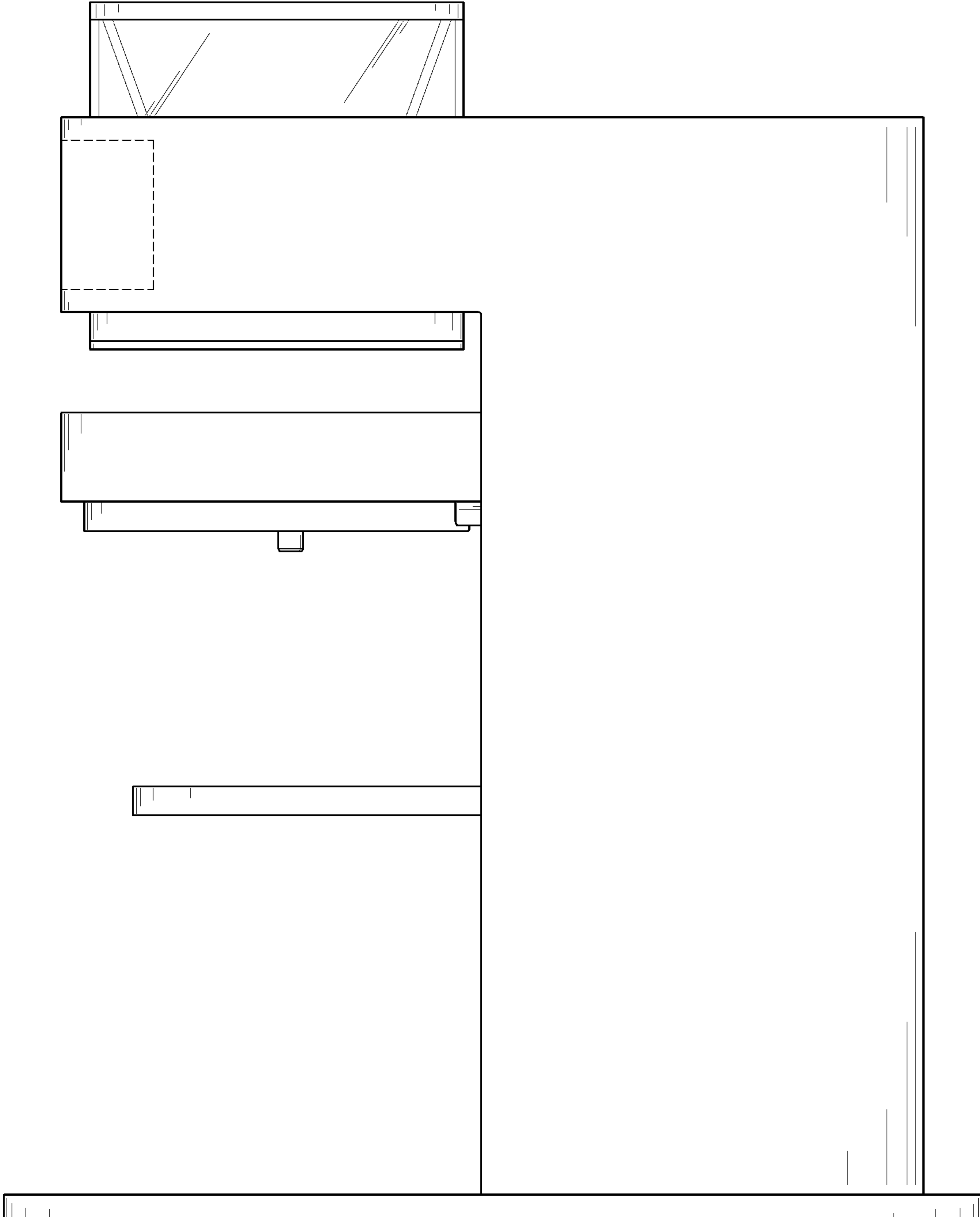


FIG. 7

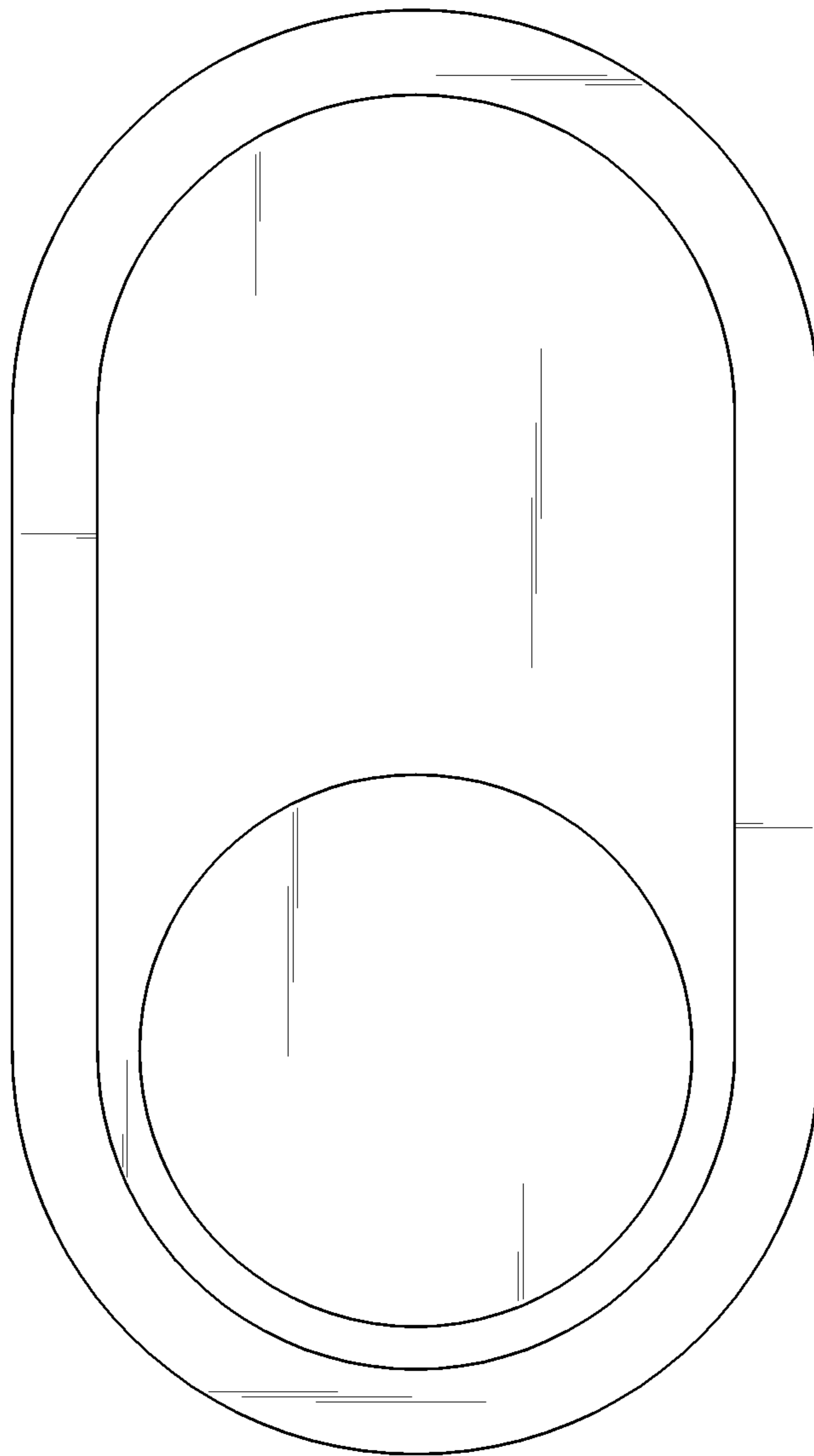


FIG. 8

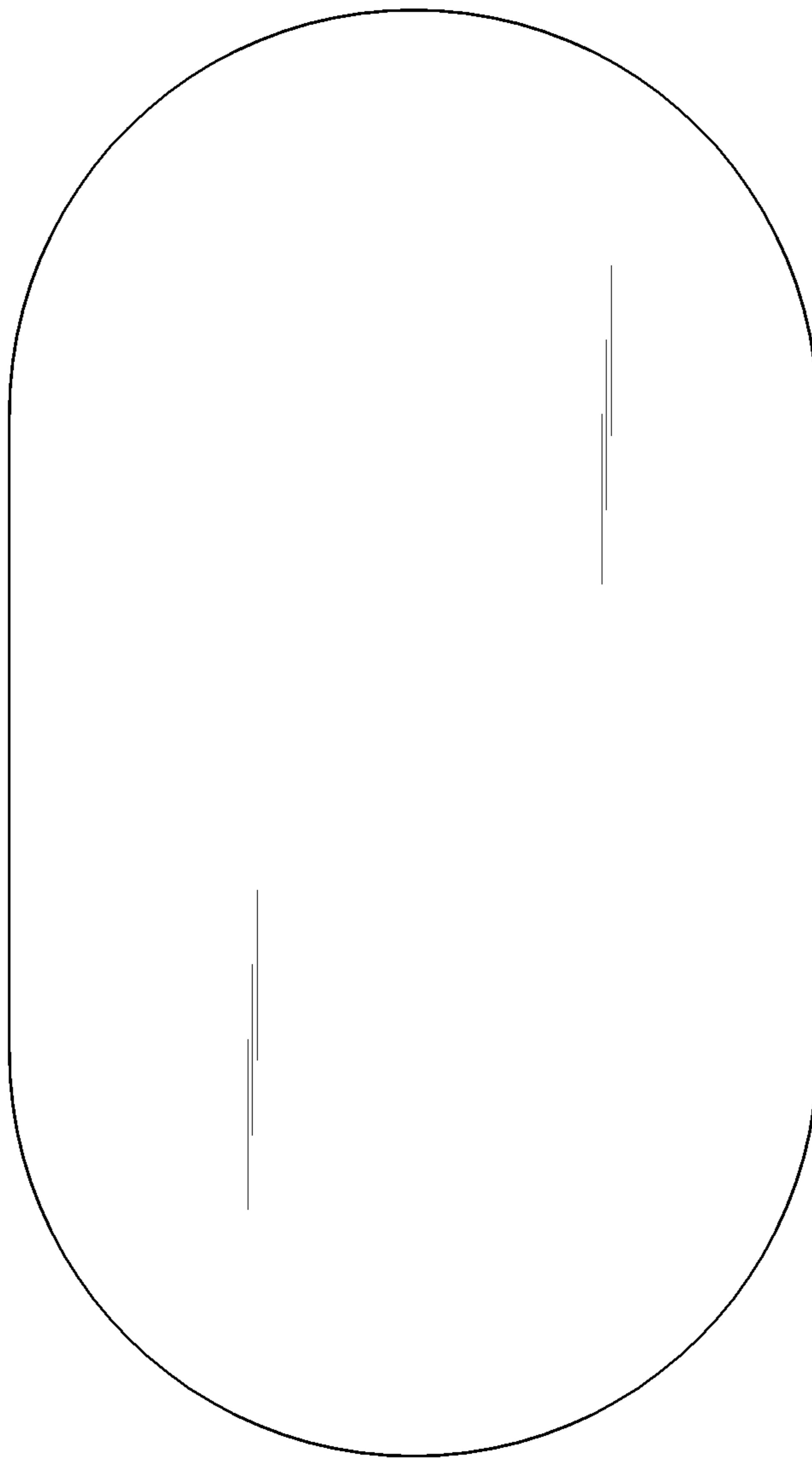


FIG. 9

