



US00D956460S

(12) **United States Design Patent** (10) **Patent No.:** **US D956,460 S**
Handler et al. (45) **Date of Patent:** **** Jul. 5, 2022**

(54) **TABLE**

- (71) Applicant: **Art Design Works LLC**, Lexington, MA (US)
- (72) Inventors: **Sheryl Handler**, Cambridge, MA (US); **Nadine M. Volicer**, Boston, MA (US); **Kelly Louise Casilio**, West Newton, MA (US); **Carl Martinez**, Easton, PA (US)
- (73) Assignee: **Art Design Works LLC**, Lexington, MA (US)
- (*) Notice: This patent is subject to a terminal disclaimer.
- (**) Term: **15 Years**
- (21) Appl. No.: **29/664,903**
- (22) Filed: **Sep. 28, 2018**

Related U.S. Application Data

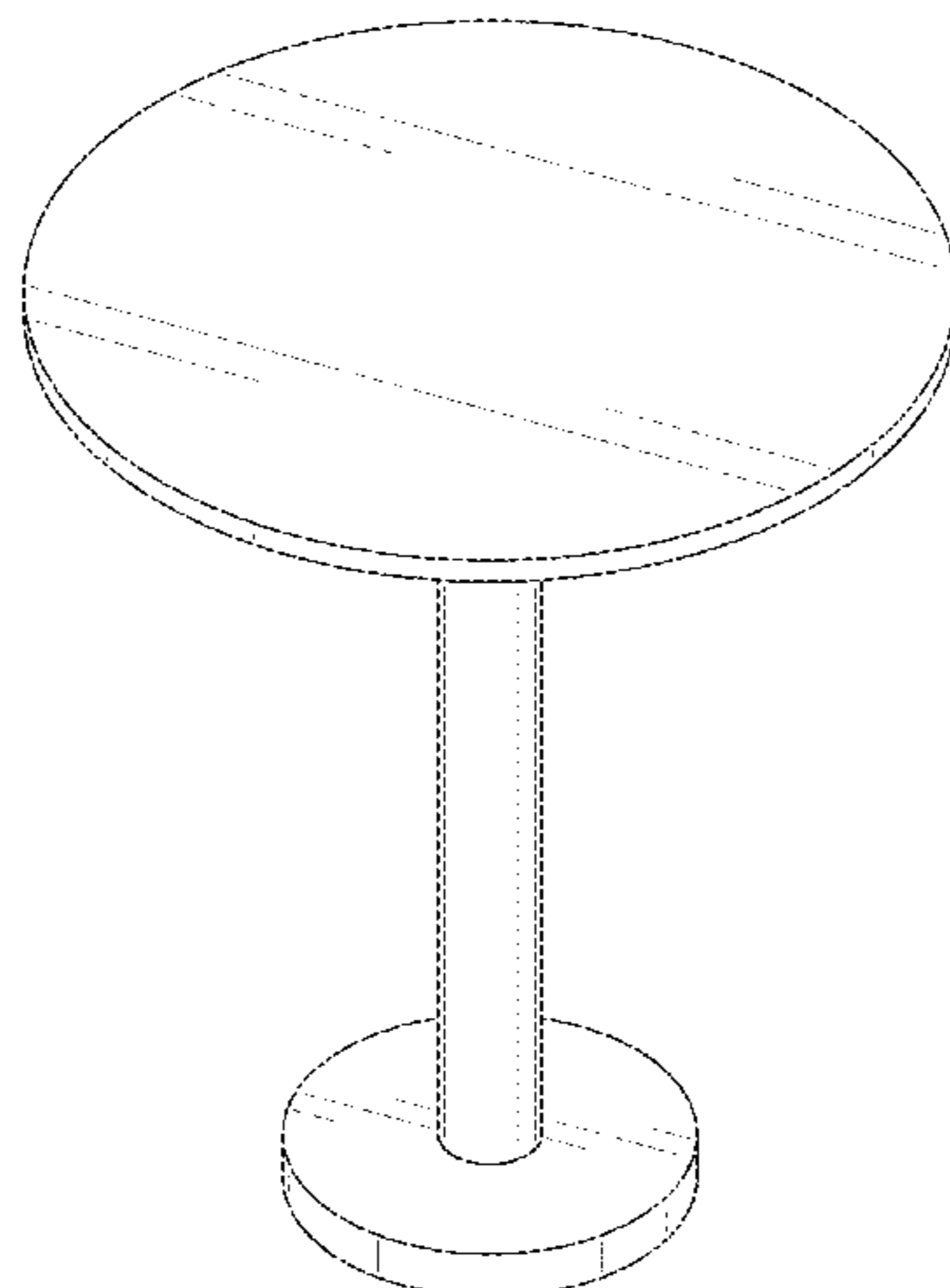
- (62) Division of application No. 29/538,013, filed on Aug. 31, 2015, now Pat. No. Des. 833,190.
- (51) **LOC (13) Cl.** **06-03**
- (52) **U.S. Cl.**
USPC **D6/692.3**
- (58) **Field of Classification Search**
USPC D6/641, 656, 656.1, 656.13, 656.14, D6/656.15, 656.18, 685, 690, 691.4, 692, D6/692.1, 692.2, 692.3, 692.4, 692.5, D6/695.2, 696.1, 698, 699, 699.1, 708, D6/708.16, 708.17, 708.2; D21/483, 519, D21/522
CPC A47B 9/00; A47B 9/04; A47B 9/08; A47B 9/20; A47B 11/00; A47B 13/00; A47B 13/02; A47B 13/023; A47B 2013/024; A47B 25/00; A47B 33/00; A47B 37/04; A47B 2200/0021
See application file for complete search history.

(56)

References Cited

U.S. PATENT DOCUMENTS

D41,500	S	6/1911	Strobel et al.	
D86,132	S *	2/1932	Kanter et al.	D6/692.3
D93,968	S *	12/1934	Brower et al.	D6/692.3
D99,666	S *	5/1936	Schwartz et al.	D6/686
D125,002	S *	2/1941	Mildwoff et al.	D6/692
D151,588	S *	11/1948	Buckner et al.	D6/691.4
2,827,350	A *	3/1958	Galloway	A47B 13/023 108/147
3,083,052	A *	3/1963	Thorson	A47B 13/023 297/140
D222,589	S *	11/1971	Leaver et al.	D6/692.3
3,756,169	A *	9/1973	Dybvig	A47C 5/00 108/150
D236,301	S	8/1975	Mudde et al.	
D237,564	S *	11/1975	Laylon et al.	D6/692.3
3,931,949	A *	1/1976	Waligorski	A47B 11/00 248/418
3,980,027	A *	9/1976	Maes	A47B 11/00 108/103
4,043,278	A *	8/1977	Kessler	A47B 13/023 108/150
D246,022	S *	10/1977	Mathur	D6/692.3
D280,580	S *	9/1985	Appel	D6/692.1
D296,399	S *	6/1988	Epp	D6/692.3
4,760,802	A *	8/1988	Leong	A47B 13/023 108/157.16
D308,611	S *	6/1990	Hubert	D6/692.1
5,121,891	A *	6/1992	Goldsmith	B63B 29/06 248/188.8
D329,554	S *	9/1992	Diffrient	D6/692.3
D333,055	S	2/1993	Kaye	
5,230,290	A *	7/1993	Crossman	A47B 9/04 108/147
D338,789	S *	8/1993	Rizzi	D6/650
D339,486	S *	9/1993	Rizzi	D6/692.3
D339,488	S *	9/1993	Rizzi	D6/692.3
D343,310	S *	1/1994	Wong	D6/692.3
5,289,783	A *	3/1994	Karl	A47B 7/00 83/313
5,363,772	A *	11/1994	Adamidis	A47B 9/00 108/66
D357,605	S *	4/1995	Kellen	D6/690
5,425,313	A *	6/1995	Rowan	A47B 1/00 108/65
5,577,344	A	11/1996	Zaremba et al.	
D376,935	S *	12/1996	Nourse	D6/692.3
D386,329	S *	11/1997	Keclik	D6/692.3



5,829,366	A *	11/1998	Uono	A47B 13/00
				108/161
D401,791	S *	12/1998	Schwab	D6/697.2
D431,132	S	9/2000	Lewis	
D436,270	S *	1/2001	Kane	D6/692.3
D442,073	S *	5/2001	Lyndon	D6/323
D447,893	S *	9/2001	Simonelli	D26/58
D459,113	S *	6/2002	Field	D6/688.27
D463,691	S	10/2002	Porter	
6,484,649	B1 *	11/2002	Wang	A47B 13/023
				108/150
D473,595	S *	4/2003	Fisher	A47B 11/00
				D20/22
D477,936	S *	8/2003	Berry	D6/692.3
D496,181	S *	9/2004	Maness	D6/692.3
D523,251	S *	6/2006	Parpala	D6/352
D531,839	S *	11/2006	Lade	D6/692.3
D542,570	S *	5/2007	Tabashi	D6/692
D543,732	S *	6/2007	Alter Molina	D6/692.3
D548,499	S	8/2007	Quintal	
D549,012	S *	8/2007	Edison	D6/692.3
D557,523	S *	12/2007	Tadlock	D6/692.3
D561,497	S *	2/2008	Alter Molina	D6/692.3
D562,599	S *	2/2008	Everson	D6/692.3
D572,416	S	7/2008	Dye, Jr.	
D573,375	S *	7/2008	Kreiss	D6/692.3
D578,806	S *	10/2008	Lievore	D6/692.3
D581,705	S *	12/2008	Li	D6/692.3
D608,120	S *	1/2010	Smith	D6/692.3
D621,641	S *	8/2010	Li	D6/691.4
D625,528	S	10/2010	Sprague	
D648,960	S *	11/2011	Starck	A47B 1/00
				D6/692.3
D650,613	S	12/2011	Starck	
D655,109	S *	3/2012	Stoepker	D6/695.2
D659,435	S *	5/2012	Sofield	A47B 9/00
				D6/692.3
D671,772	S *	12/2012	Lee	A47B 7/00
				D6/692.3
8,616,629	B2 *	12/2013	Jonsson	A47B 9/00
				297/174 R
8,733,254	B1 *	5/2014	Wakefield	A01G 9/02
				108/50.11
D718,558	S	12/2014	Chipman	
D721,526	S *	1/2015	Bosman	D6/692.3
D737,082	S *	8/2015	Parisi	D6/696.1
9,192,228	B2	11/2015	Albanese	
D764,196	S *	8/2016	Handler	B63B 29/06
				D6/352
D769,036	S	10/2016	Manea	
D779,706	S	2/2017	Starck	
D782,856	S	4/2017	Broen et al.	
9,752,606	B2 *	9/2017	Peters	A47B 13/023
D808,674	S *	1/2018	Handler	A47B 13/023
				D6/352
9,854,913	B1 *	1/2018	Lin	A47B 9/20
D828,062	S *	9/2018	Lykouria	D6/692.3
D829,014	S *	9/2018	Handler	D6/352
D833,190	S *	11/2018	Handler	A47B 11/00
				D6/692.3
D833,191	S *	11/2018	Handler	D6/692.3
D833,764	S *	11/2018	Anastasiades	A47B 11/00
				D6/349
D862,140	S *	10/2019	Smrstick	A47C 5/00
				D6/692.3
D865,387	S *	11/2019	Handler	D6/352
10,463,148	B2 *	11/2019	Gober	H05B 1/0294
10,506,873	B1 *	12/2019	Hung	A47F 10/06
D886,500	S *	6/2020	Fukasawa	D6/692
10,928,000	B2 *	2/2021	Ren	F16M 11/046
10,945,541	B2 *	3/2021	Omoto	A47G 7/041
D915,807	S *	4/2021	Kimmel	D6/692.3
2007/0283853	A1 *	12/2007	Sun	A47B 11/00
				108/20
2009/0000529	A1 *	1/2009	Cheng	A47B 13/023
				108/157.1
2015/0223597	A1 *	8/2015	Albanese	A47B 13/08
				108/90

2015/0295447	A1 *	10/2015	Nitz	H02J 7/02
				320/103
2016/0242537	A1	8/2016	Hernandez	
2018/0279792	A1 *	10/2018	Casilio	A47C 7/004
2020/0022494	A1 *	1/2020	Paul	A47B 91/02

FOREIGN PATENT DOCUMENTS

CN	301870197	*	3/2012
CN	301875266	*	4/2012
CN	302399729	*	4/2013
CN	302493807	*	7/2013
CN	303271279	*	7/2015
CN	303334661	*	8/2015

OTHER PUBLICATIONS

Retail Resource Pedestal Display Risers, Set of 3 Clear Acrylic, amazon.com, <https://www.amazon.com/Clear-Acrylic-Pedestal-Riser-Set/dp/B00NP9E3DS> (Year: 2014).*

Clear Acrylic Barbell Pedestal Risers, misterplexi.com, <https://www.misterplexi.com/barbellpedestals.html>, retrieved from : <https://web.archive.org/web/20150204053310/https://www.misterplexi.com/barbellpedestals.html> (Year: 2015).*

Y-Leah Nordic Modern Living Room Sofa Side Table, amazon.com, https://www.amazon.com/dp/B07V28C1CK/ref=sbl_dp_end-tables_B08SJK8TDJ_0 (Year: 2019).*

Julian Bowen Milan Round Glass Brushed Steel Pedestal Dining Table, onlyhome.co.uk, <https://www.onlyhome.co.uk/furniture-c17/julian-bowen-milan-round-glass-brushed-steel-pedestal-dining-table-p20639> (Year: 2021).*

SohoConcept Dining Table, wayfair.com, <https://www.wayfair.com/furniture/pdp/sohoconcept-dining-table-w003317682.html> (Year: 2021).*

Varant Concrete Dining Table, Jossandmain.com, <https://www.jossandmain.com/furniture/pdp/varant-dining-table-j000225522.html?piid=> (Year: 2021).*

Artmaze Clear Acrylic End Table, amazon.com, https://www.amazon.com/Artmaze-Acrylic-Bedroom-Assembly-inch%EF%BC%8C21-3/dp/B08SJK8TDJ?ref=ast_sto_dp (Year: 2021).*

Ergode Roya Teak End Table Marble Base, amazon.com, https://www.amazon.com/dp/B092DFCZVD/ref=sbl_dp_end-tables_B08SJK8TDJ_0 (Year: 2021).*

8 Tier Clear Acrylic Cupcake Cake Stand, Cupcake Stands, Decorations and Supplies, razatrade.com, https://www.razatrade.com/8-Tier-Clear-Acrylic-Cupcake-Cake-Stand-p/cake_stnd_8t.htm (Year: 2021).*

Clear Round Acrylic Pedestal Risers, carrmclean.ca, <https://www.carrmclean.ca/clear-round-acrylic-pedestal-risers.html> (Year: 2021).*

Barito Spot Table—Grey, hudsonfurniture.com, <https://www.hudsonfurniture.com/barito-spot-table-grey.html> (Year: 2021).*

Marble & Rose Brass Side Table, side and end tables, westelm.com, <https://www.westelm.com/products/marble-rose-brass-side-table-h7097/?sku=8270269> (Year: 2021).*

The Curated Nomad Redu Rose Quartz Top Chairside Table, overstock.com, <https://www.overstock.com/Home-Garden/The-Curated-Nomad-Redu-Rose-Quartz-Top-Chairside-Table/31525155/product.html?opre=1&option=57809524> (Year: 2021).*

Poke Side Table, <https://www.modholic.com/products/poke-side-table-black> (Year: 2021).*

Lumisource Side Table, homedepot.com, <https://www.homedepot.com/p/Lumisource-Symbol-24-in-H-Gold-Metal-and-White-Marble-Side-Table-TB-SYMBOL-AUWM/314164217> (Year: 2021).*

* cited by examiner

Primary Examiner — Steven J Czyz
(74) Attorney, Agent, or Firm — Wolf, Greenfield & Sacks, P.C.

(57) CLAIM

The ornamental design for a table, as shown and described.

DESCRIPTION

FIG. 1 is a top, front, right side perspective view of a table showing a first embodiment of our new design;

FIG. 2 is a bottom, front, right side perspective view thereof;
FIG. 3 is a left side elevation view thereof, the right side elevation view being identical;
FIG. 4 is a front elevation view thereof, the rear elevation view being identical;
FIG. 5 is a top plan view thereof;
FIG. 6 is a bottom plan view thereof;
FIG. 7 is a top, front, right side perspective view of a second embodiment thereof;
FIG. 8 is a bottom, front, right side perspective view of FIG. 7;
FIG. 9 is a left side elevation view of FIG. 7, the right side elevation view being identical;
FIG. 10 is a front elevation view of FIG. 7, the rear elevation view being identical;
FIG. 11 is a top plan view of FIG. 7;
FIG. 12 is a bottom plan view of FIG. 7;
FIG. 13 is a top, front, right side perspective view of a third embodiment thereof;
FIG. 14 is a bottom, front, right side perspective view of FIG. 13;
FIG. 15 is a left side elevation view of FIG. 13, the right side elevation view being identical;
FIG. 16 is a front elevation view of FIG. 13, the rear elevation view being identical;
FIG. 17 is a top plan view of FIG. 13;

FIG. 18 is a bottom plan view of FIG. 13;
FIG. 19 is a top, front, right side perspective view of a fourth embodiment thereof;
FIG. 20 is a bottom, front, right side perspective view of FIG. 19;
FIG. 21 is a left side elevation view of FIG. 19, the right side elevation view being identical;
FIG. 22 is a front elevation view of FIG. 19, the rear elevation view being identical;
FIG. 23 is a top plan view of FIG. 19;
FIG. 24 is a bottom plan view of FIG. 19;
FIG. 25 is a top, front, right side perspective view of a fifth embodiment thereof;
FIG. 26 is a bottom, front, right side perspective view of FIG. 25;
FIG. 27 is a left side elevation view of FIG. 25, the right side elevation view being identical;
FIG. 28 is a front elevation view of FIG. 25, the rear elevation view being identical;
FIG. 29 is a top plan view of FIG. 25; and,
FIG. 30 is a bottom plan view of FIG. 25.
The dash-dot-dash broken lines in the figures represent boundaries of the table and form no part of the claimed design.

1 Claim, 30 Drawing Sheets

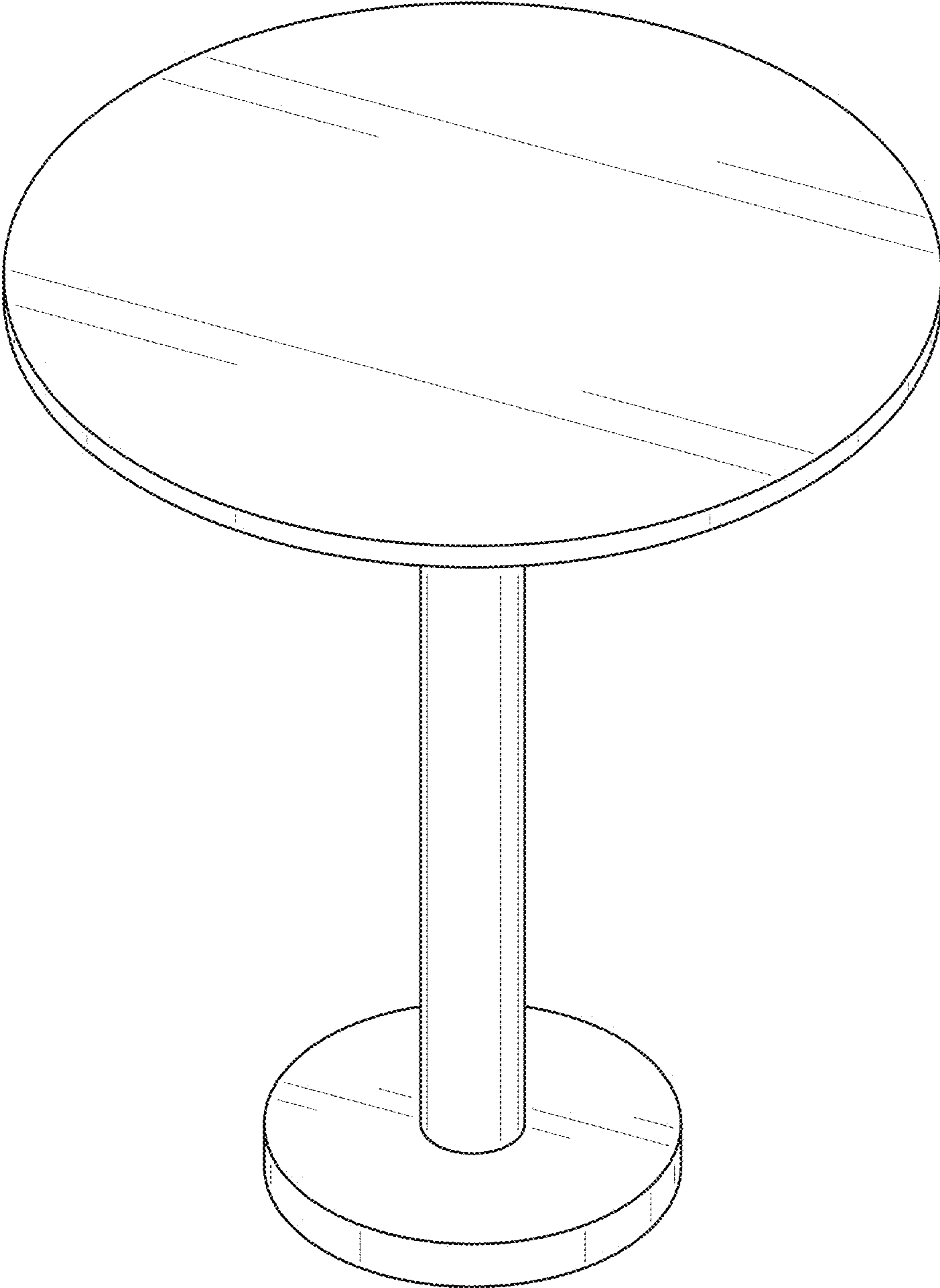


FIG. 1

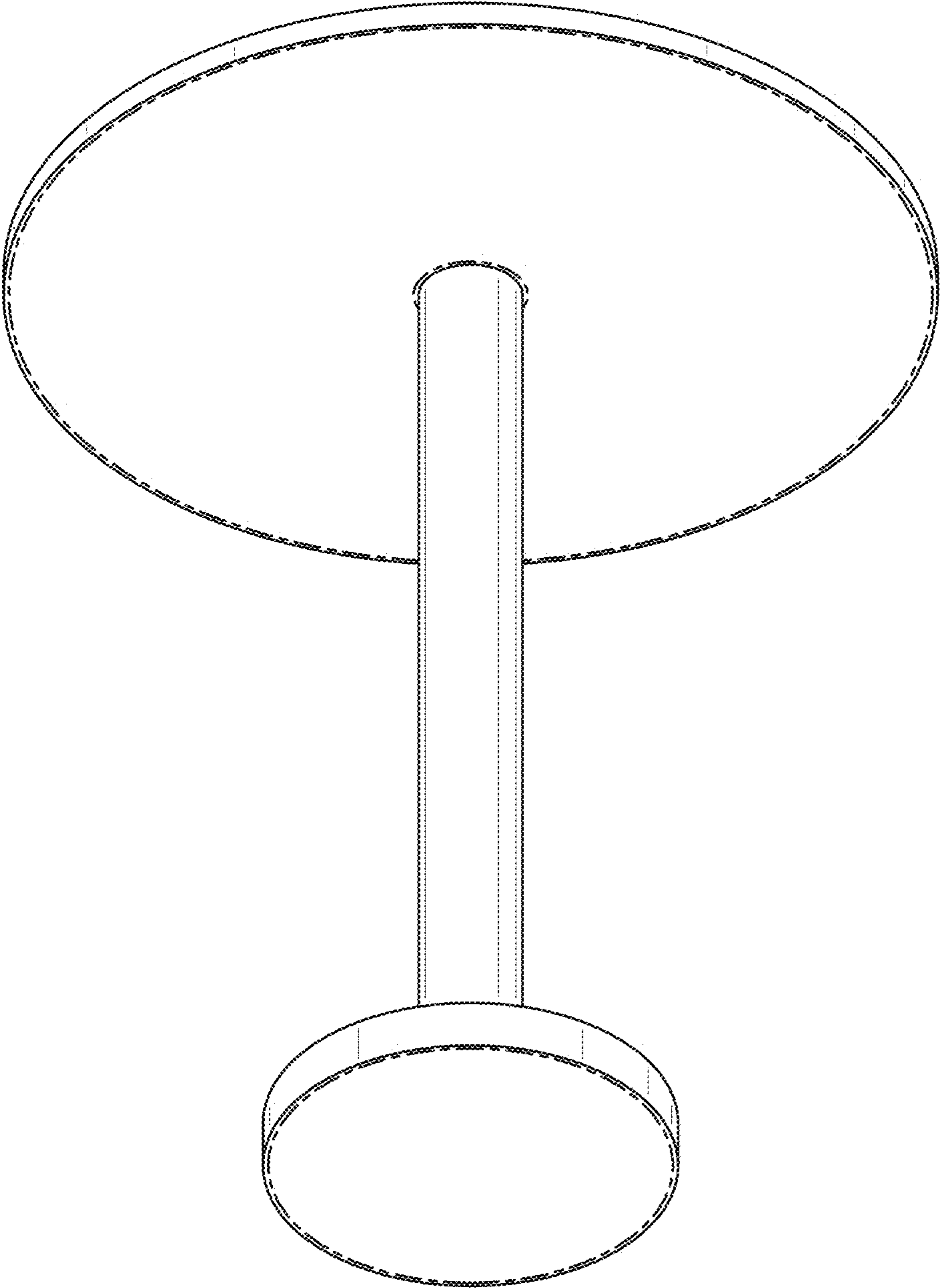


FIG. 2

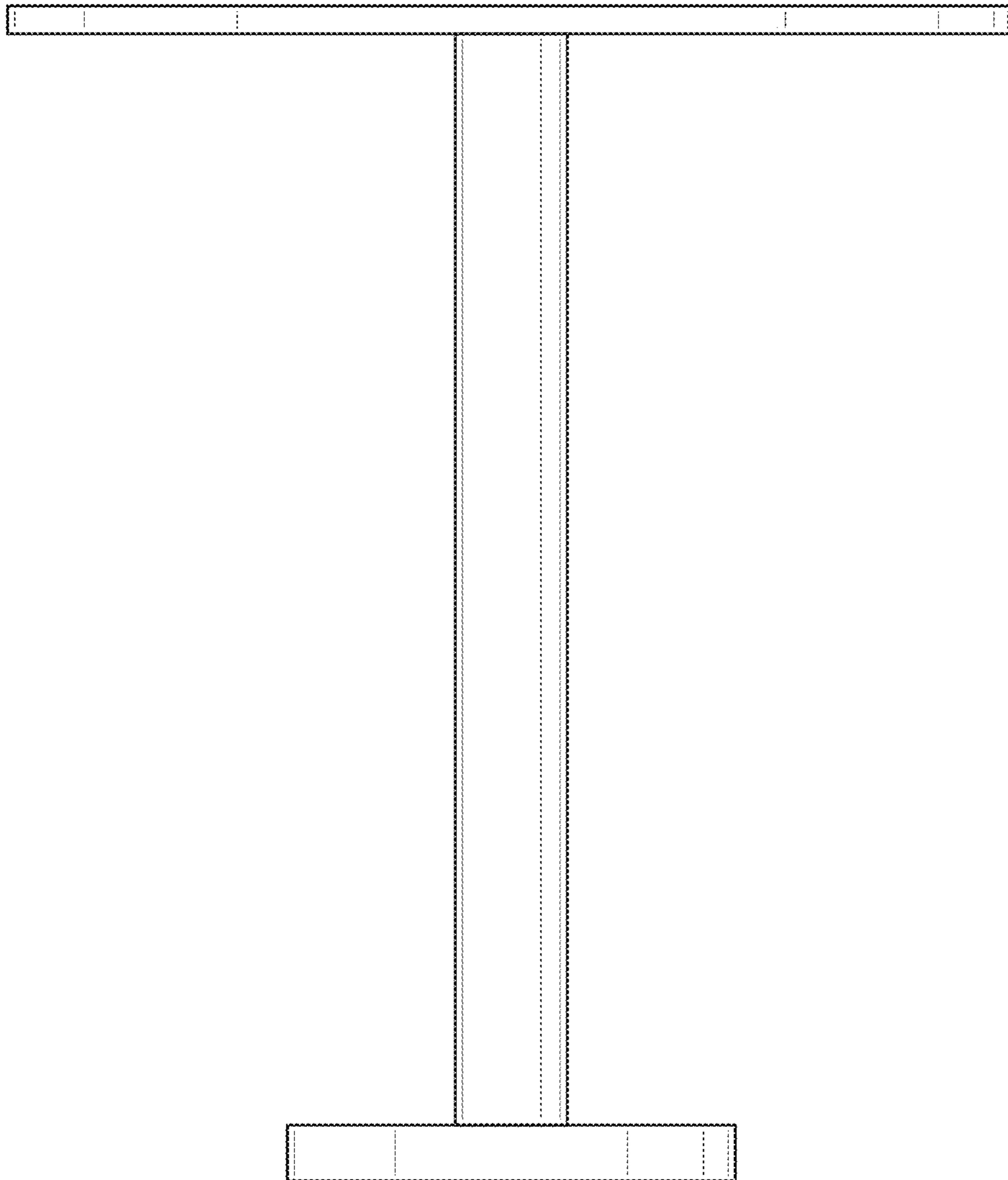


FIG. 3

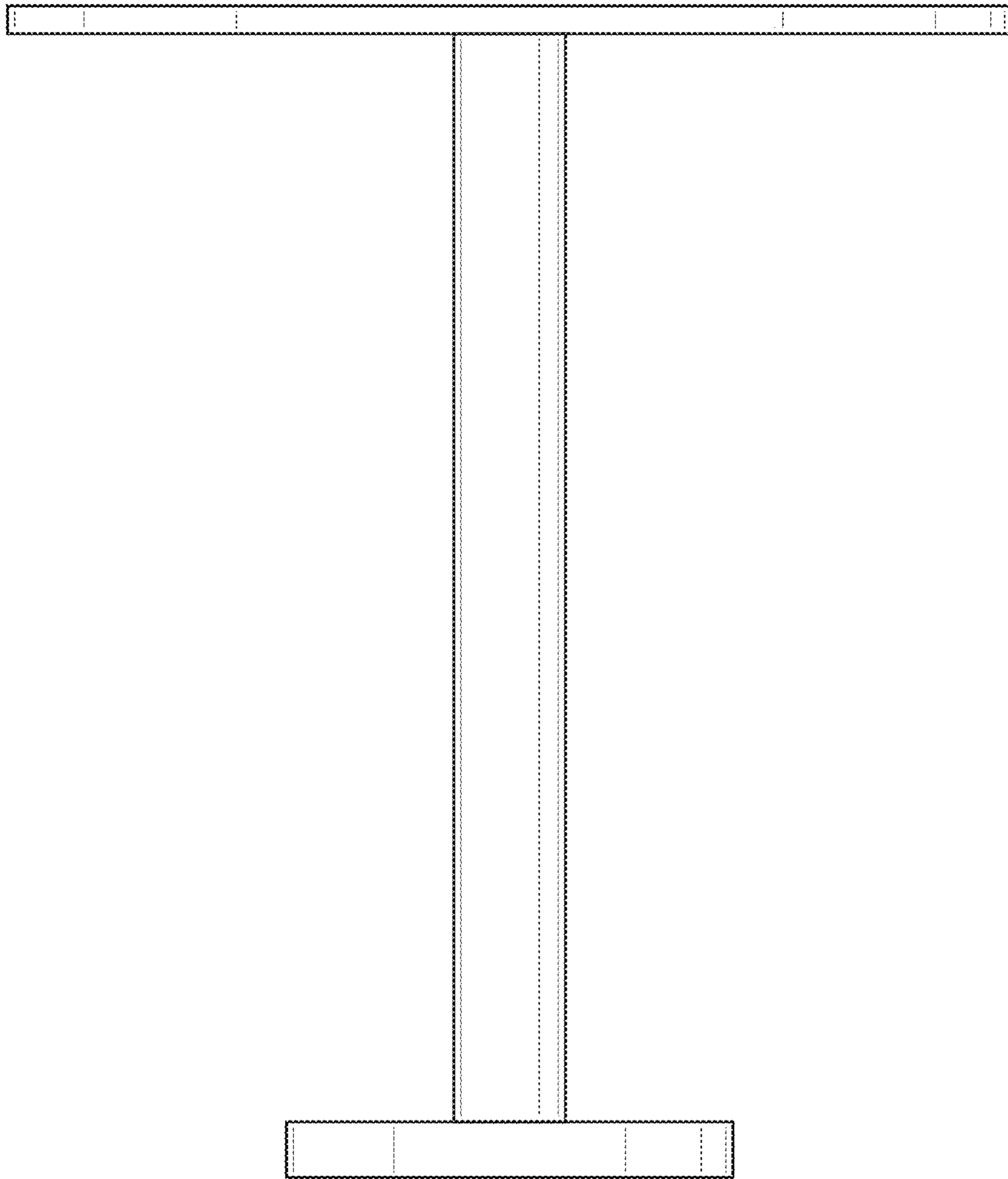


FIG. 4

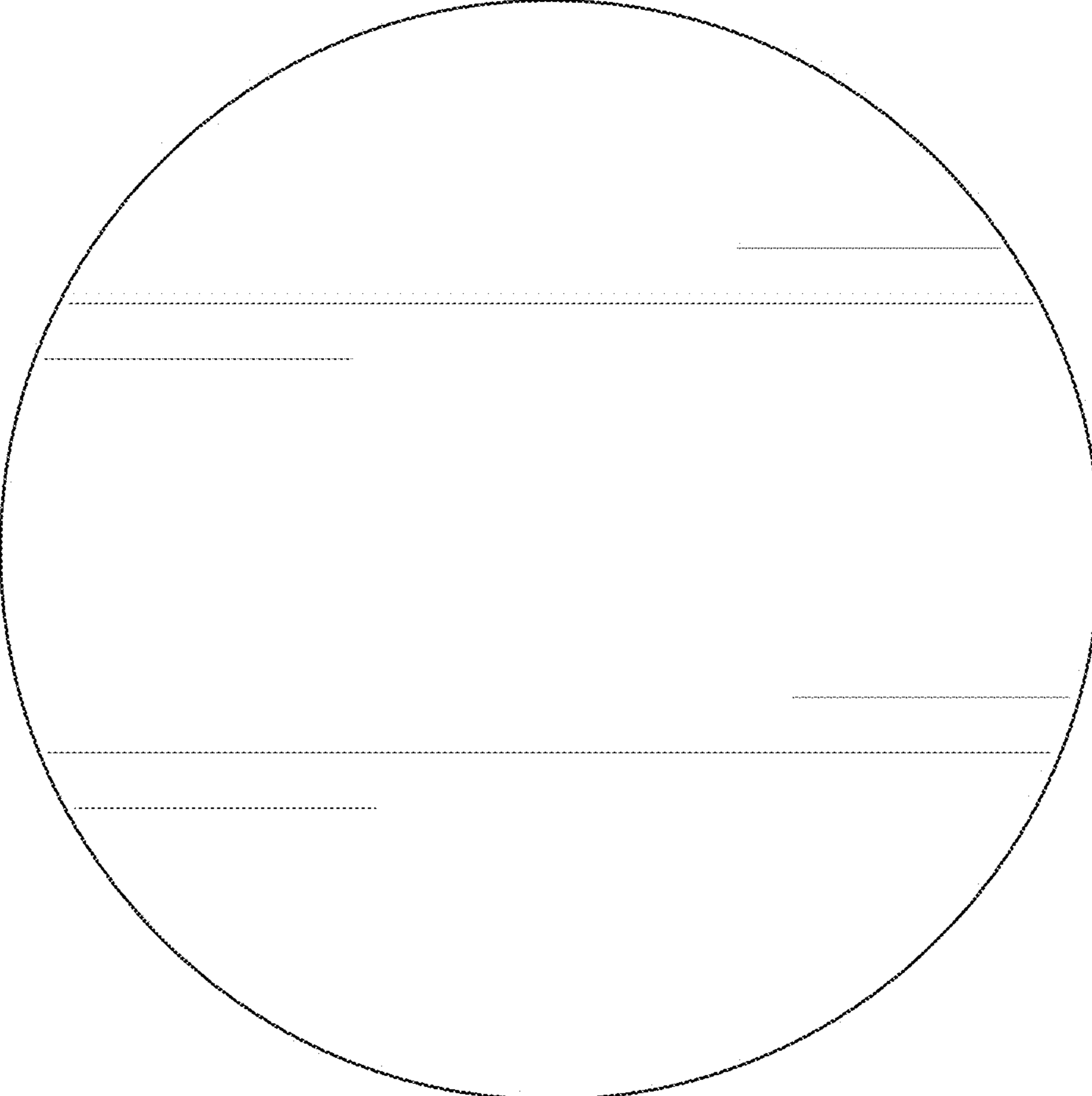


FIG. 5

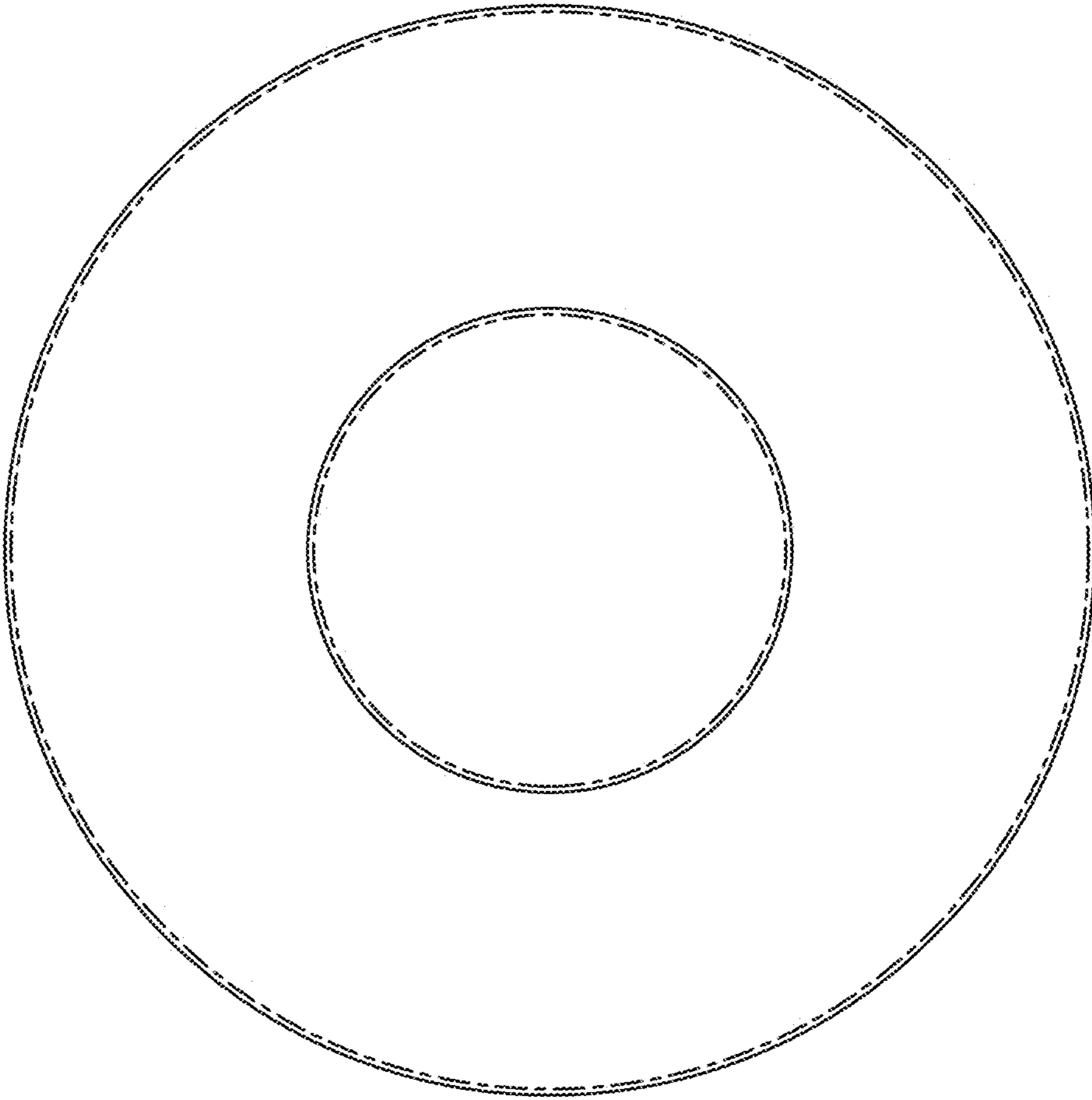


FIG. 6

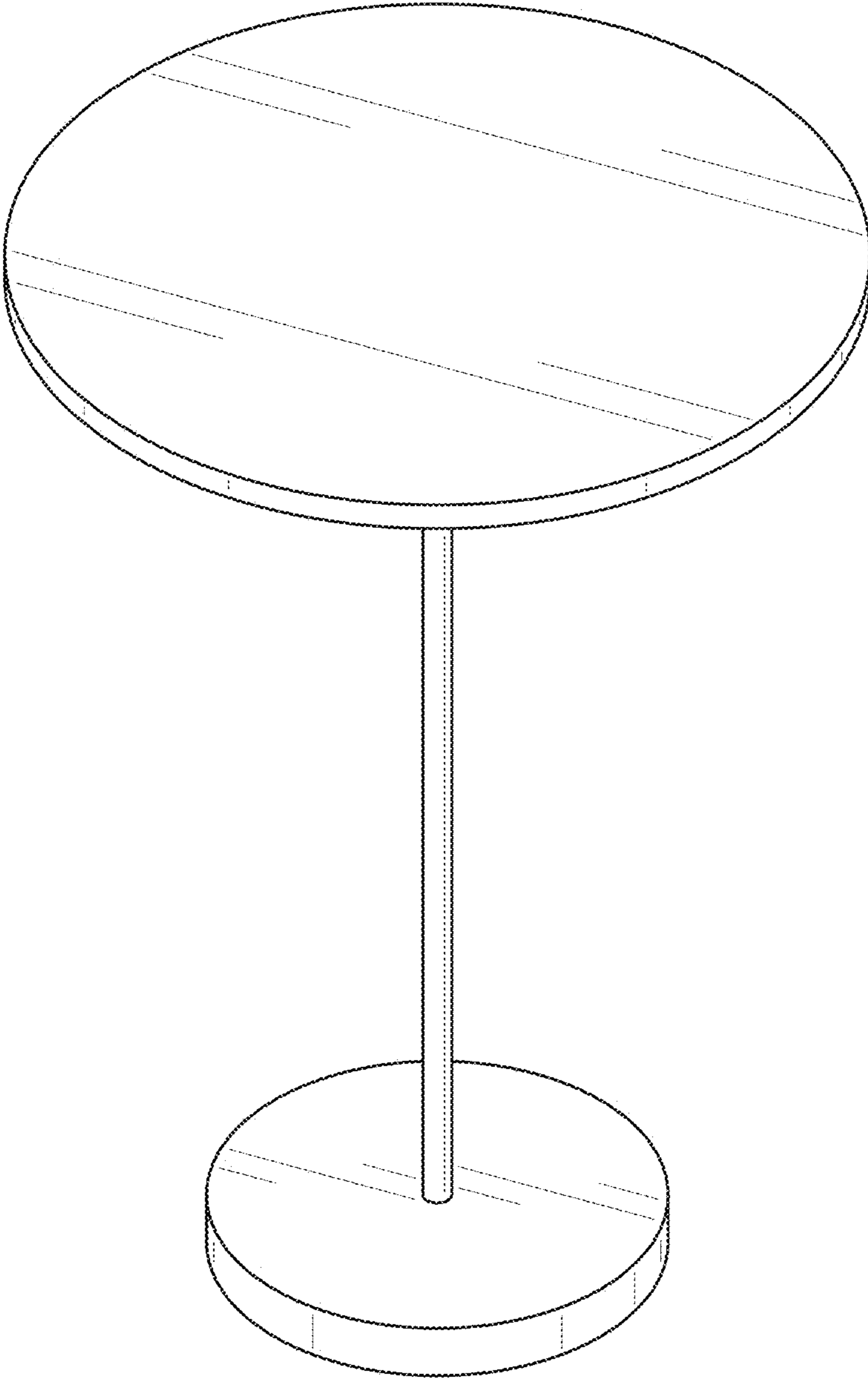


FIG. 7

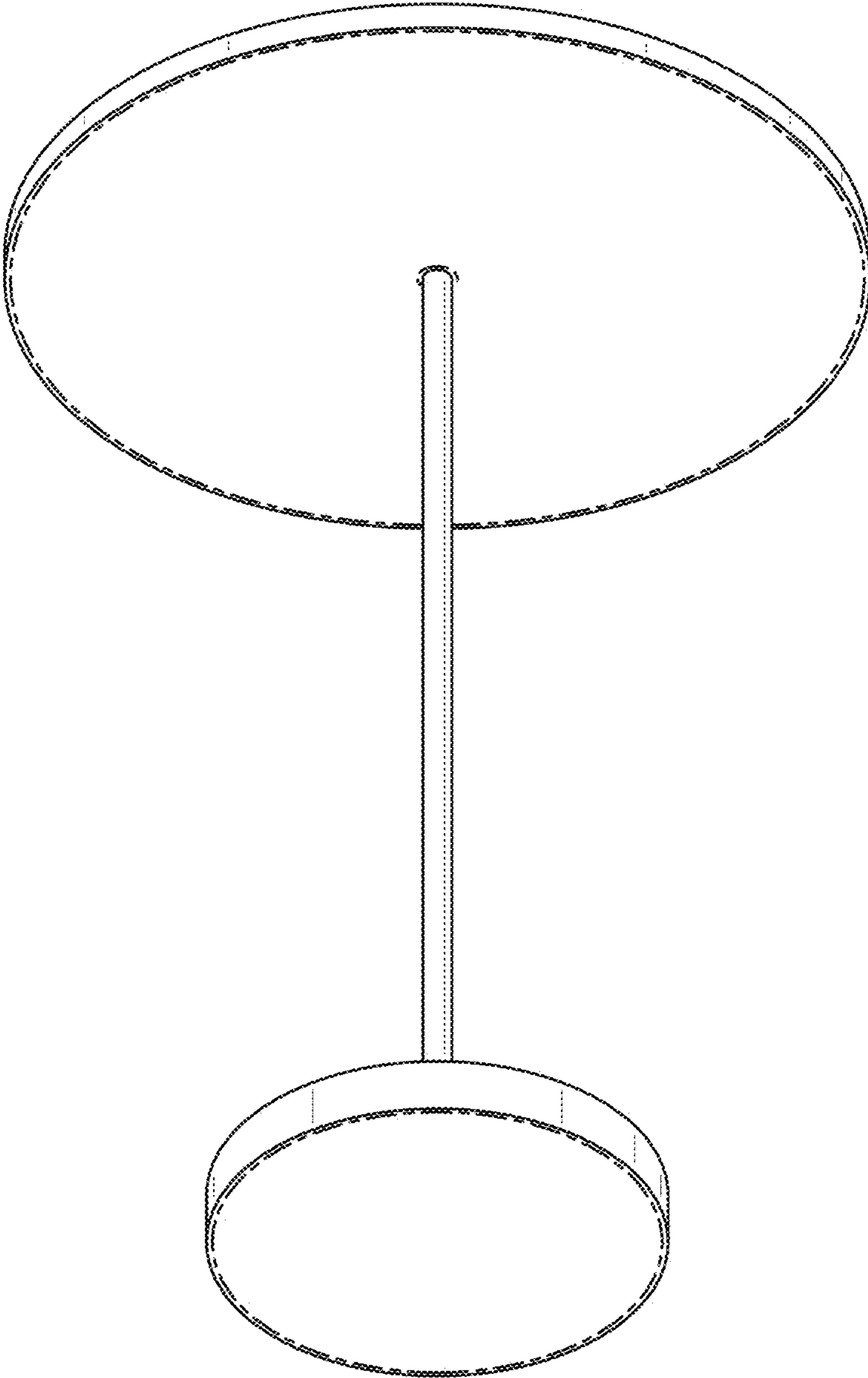


FIG. 8

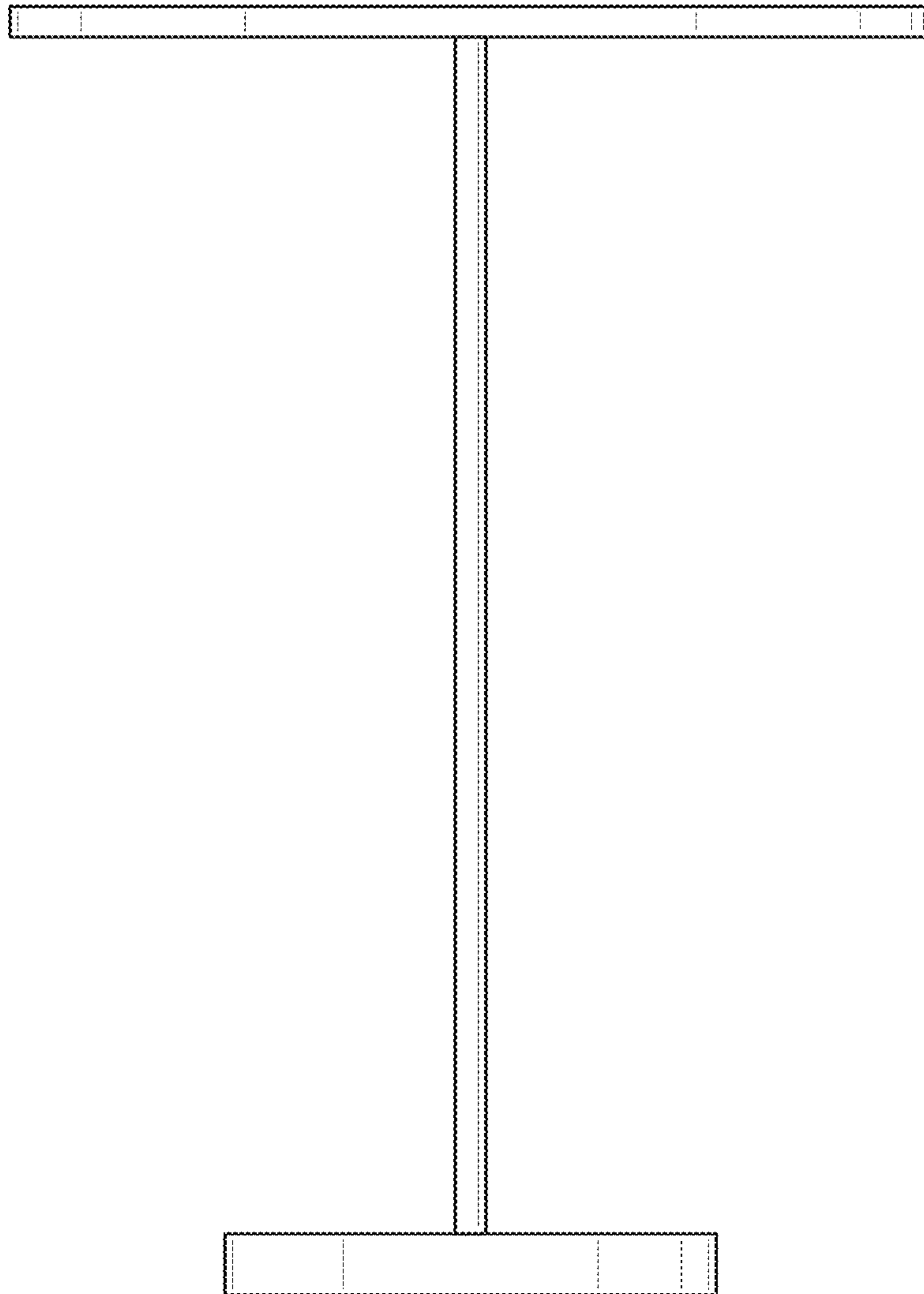


FIG. 9

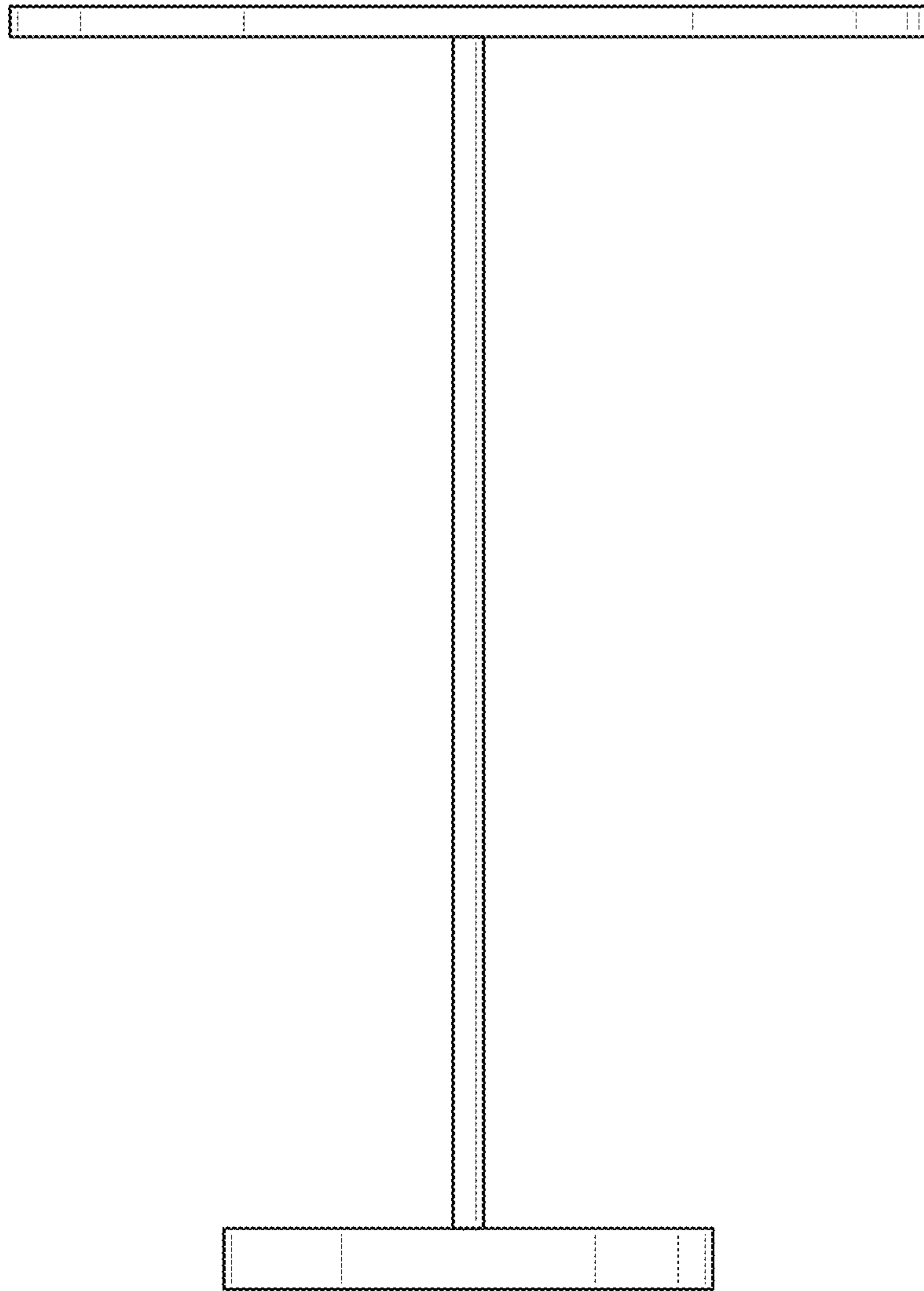


FIG. 10

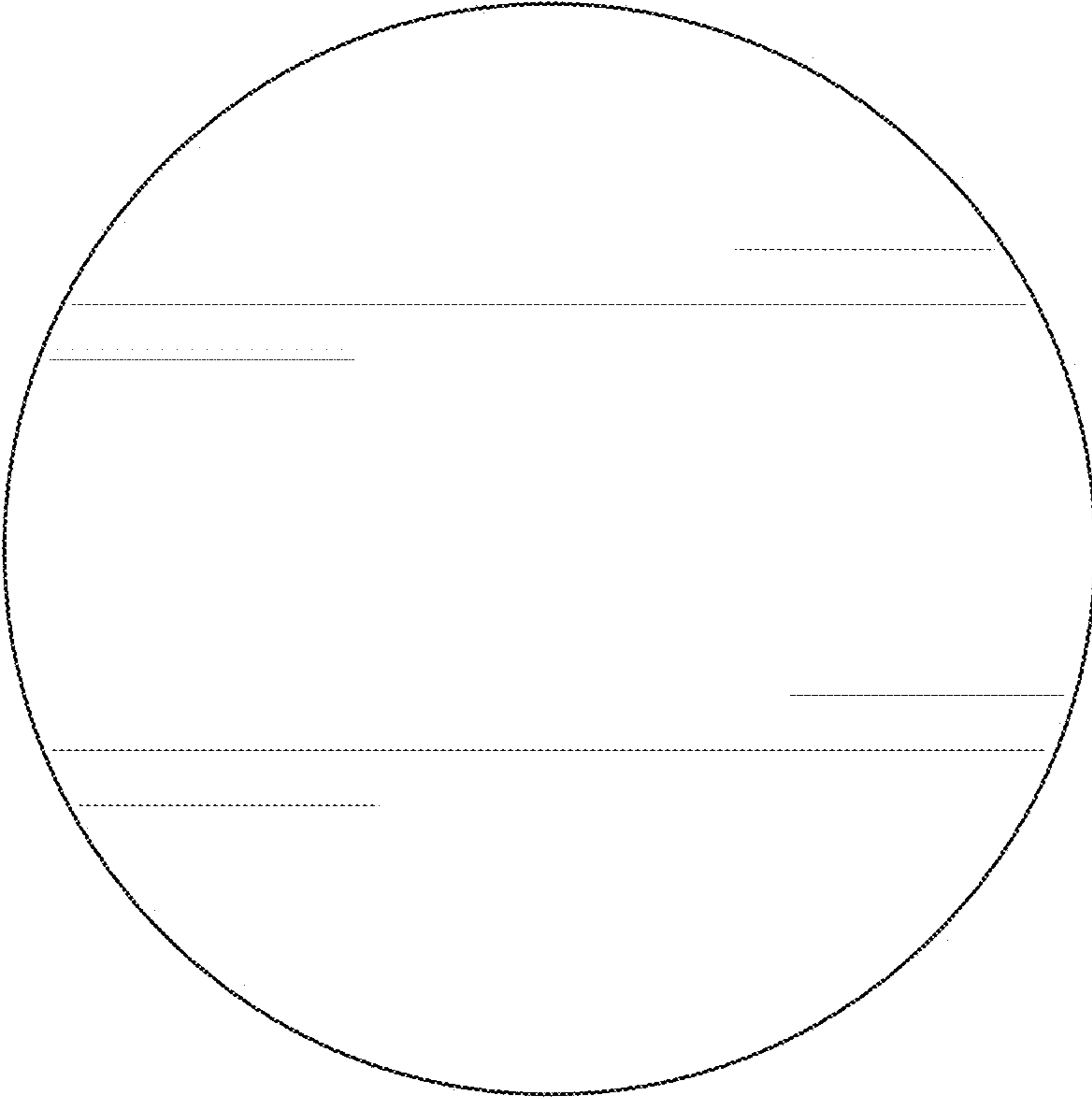


FIG. 11

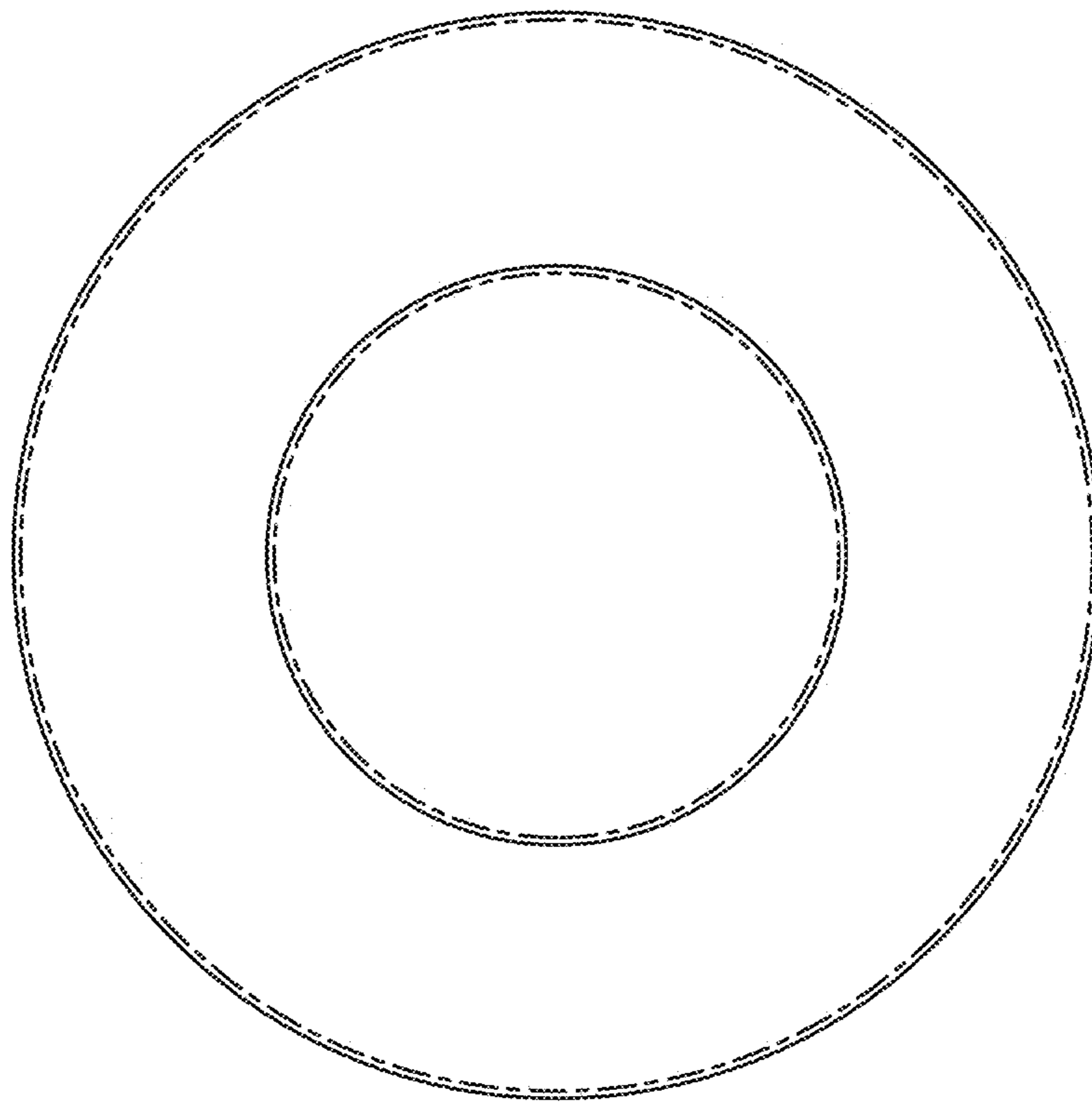


FIG. 12

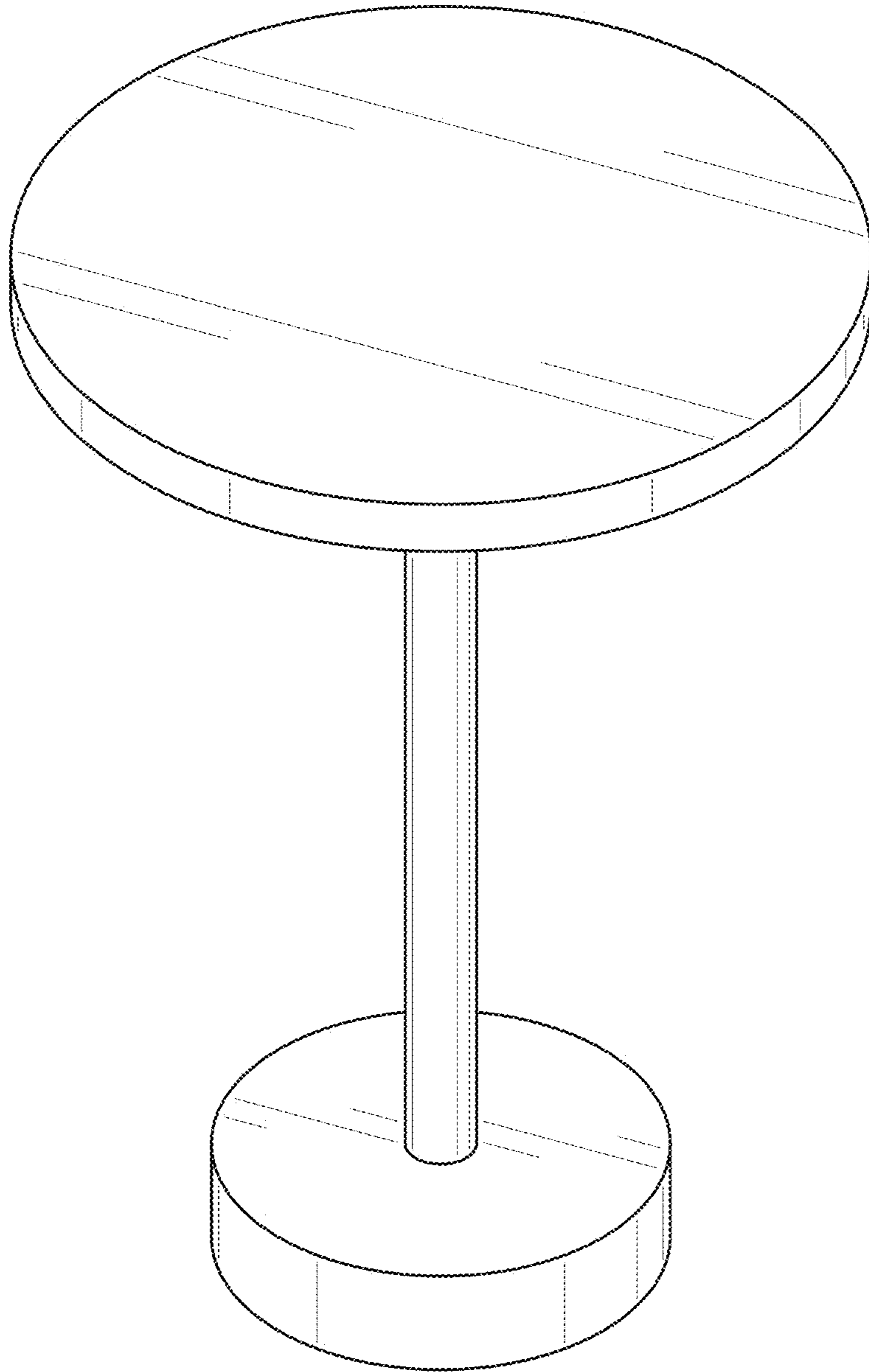


FIG. 13

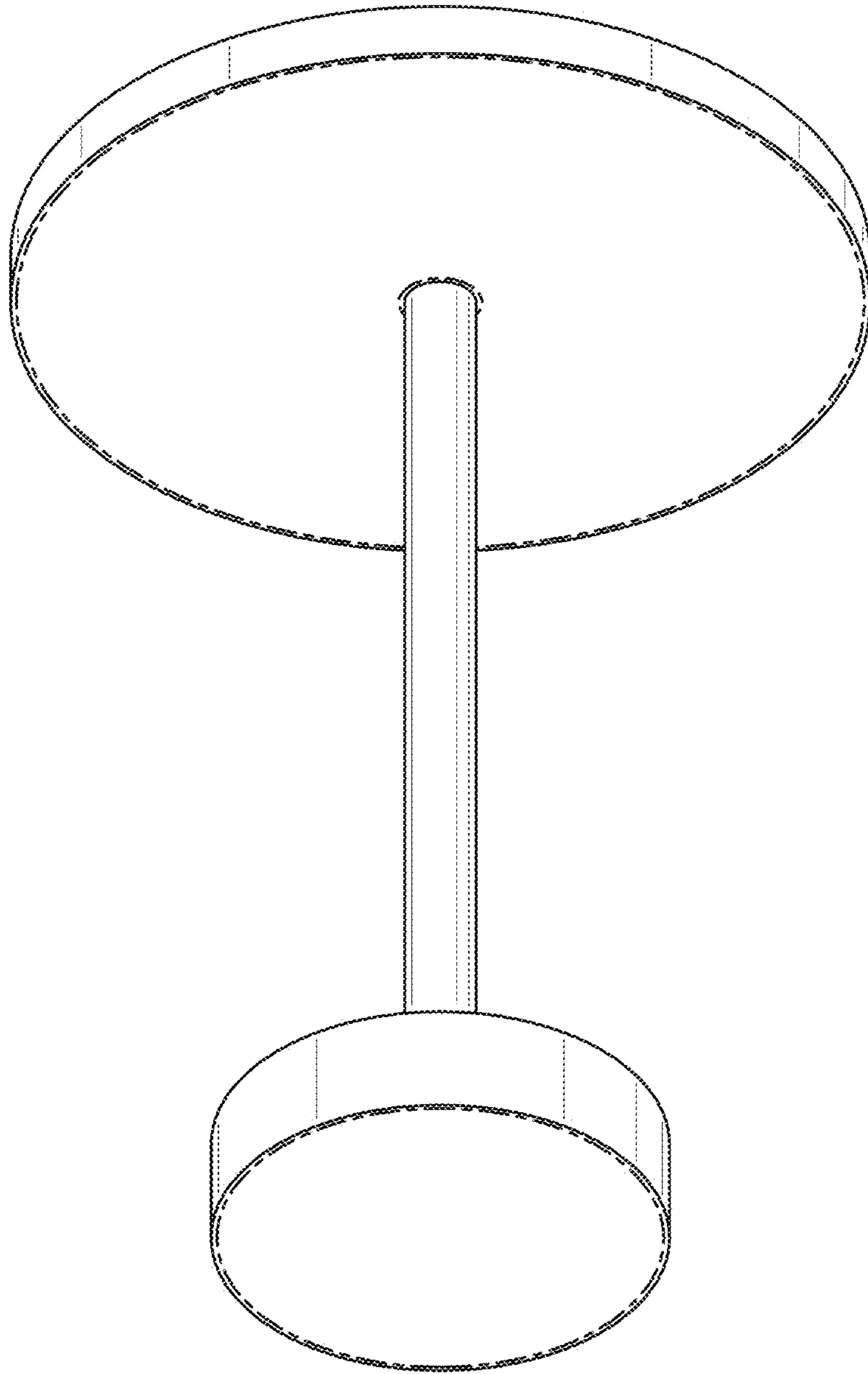


FIG. 14

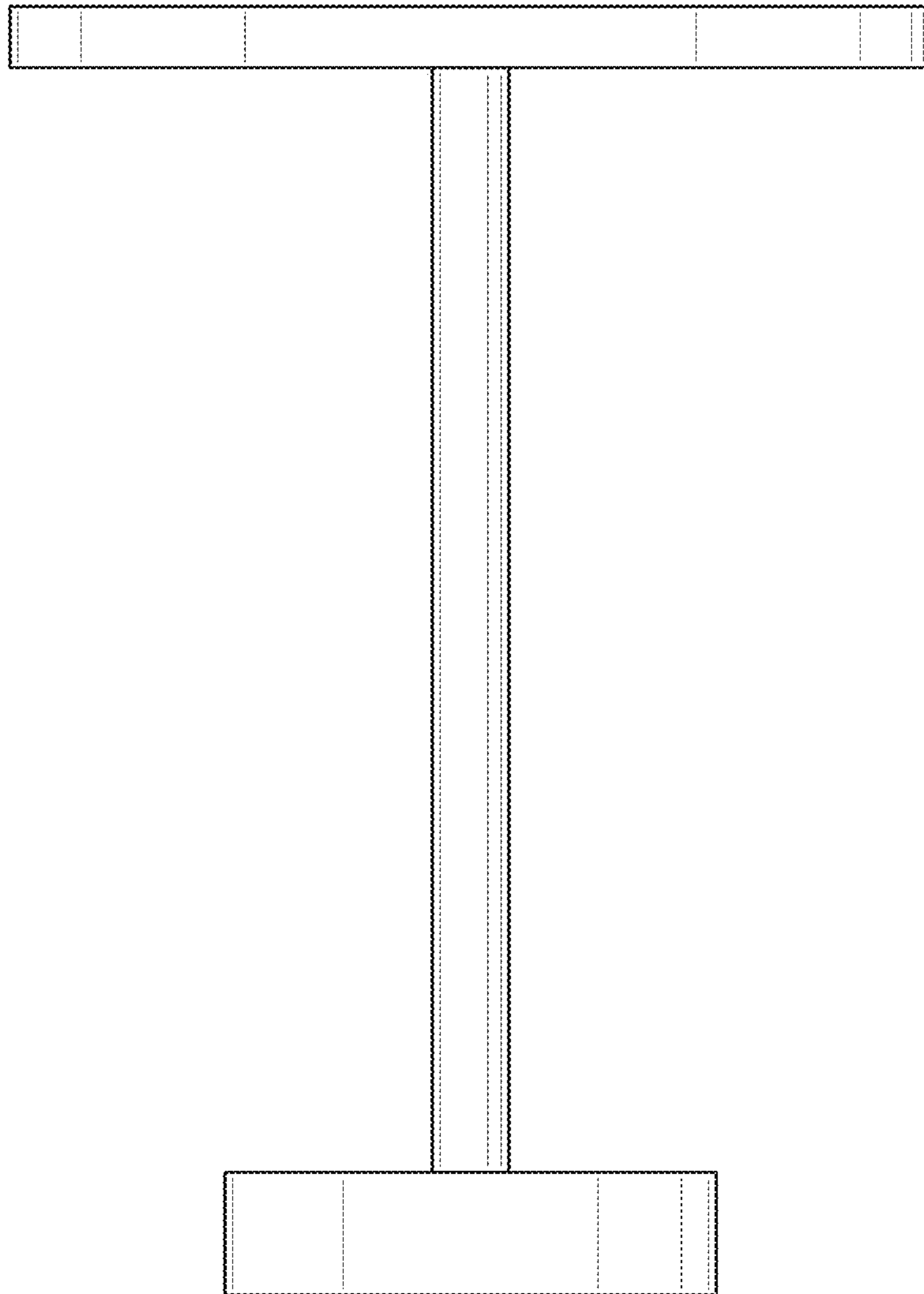


FIG. 15

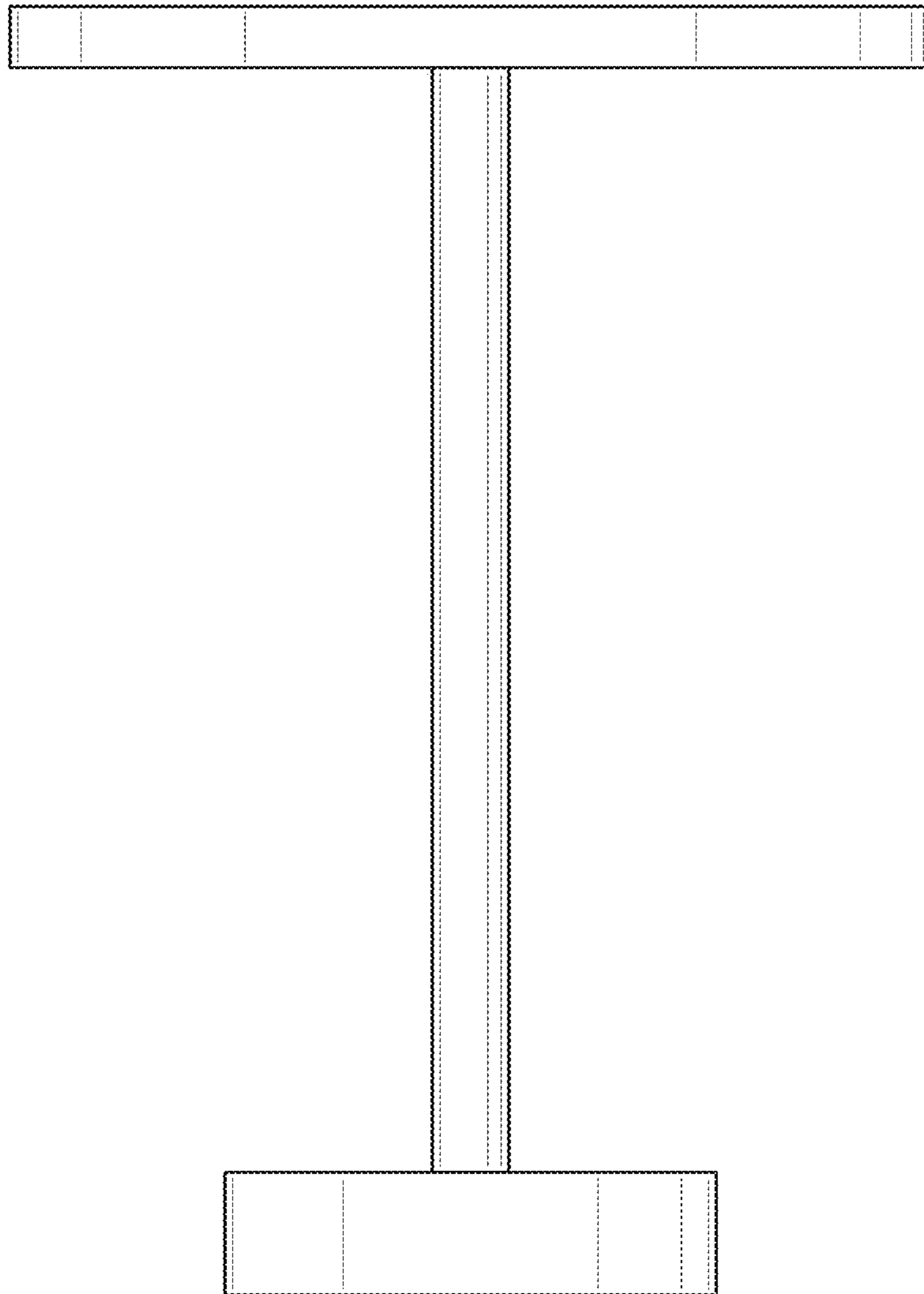


FIG. 16

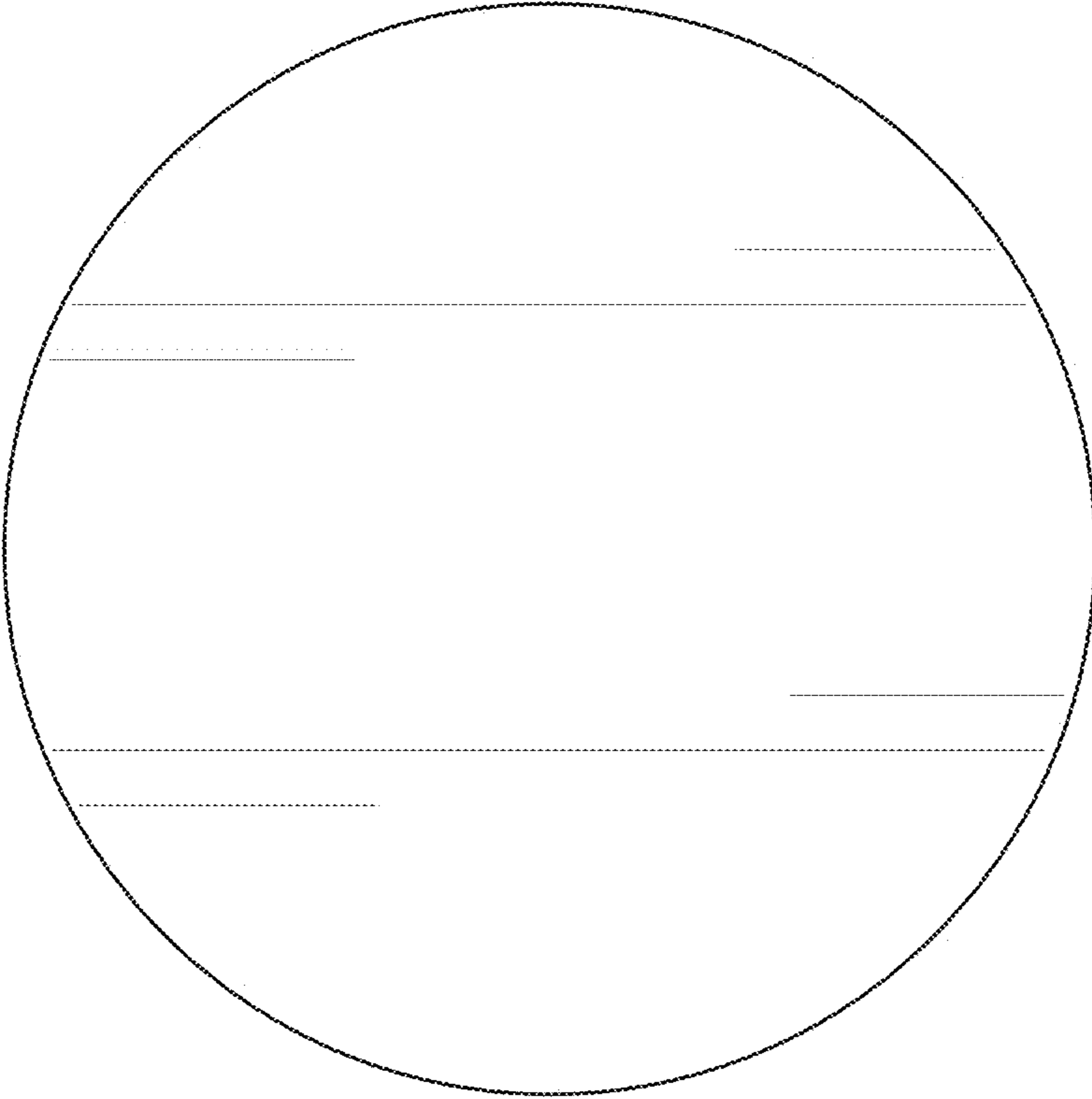


FIG. 17

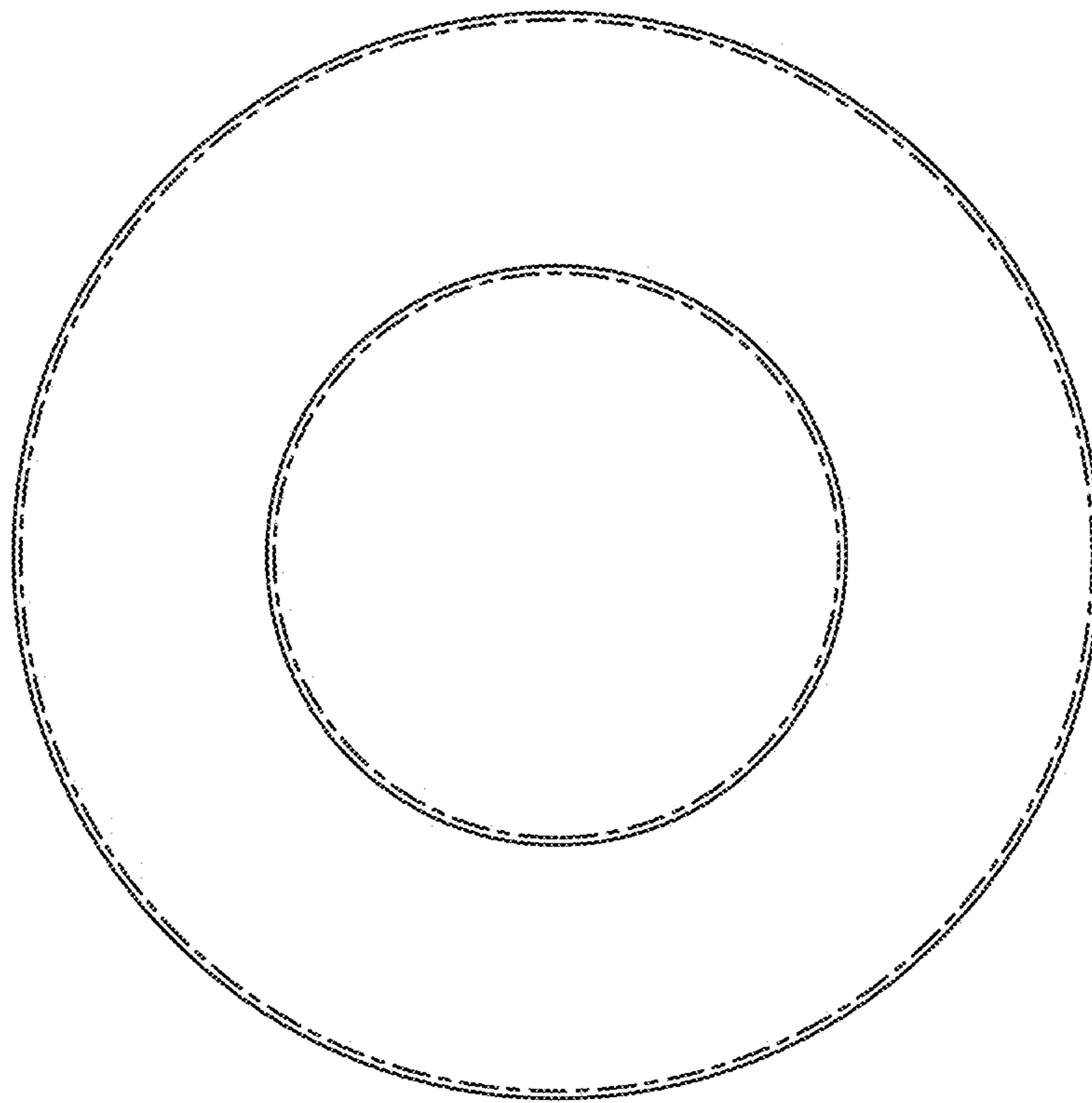


FIG. 18

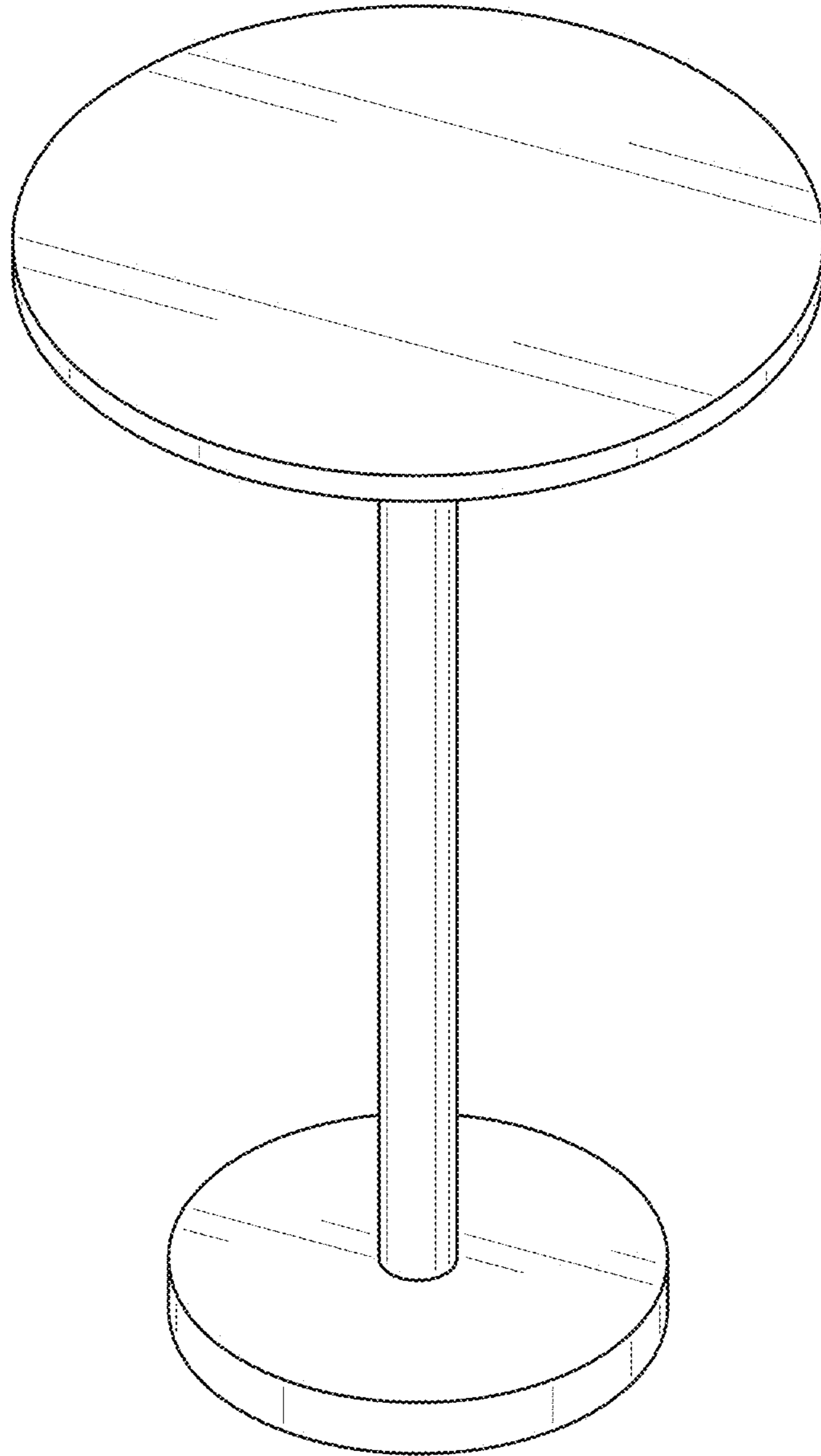


FIG. 19

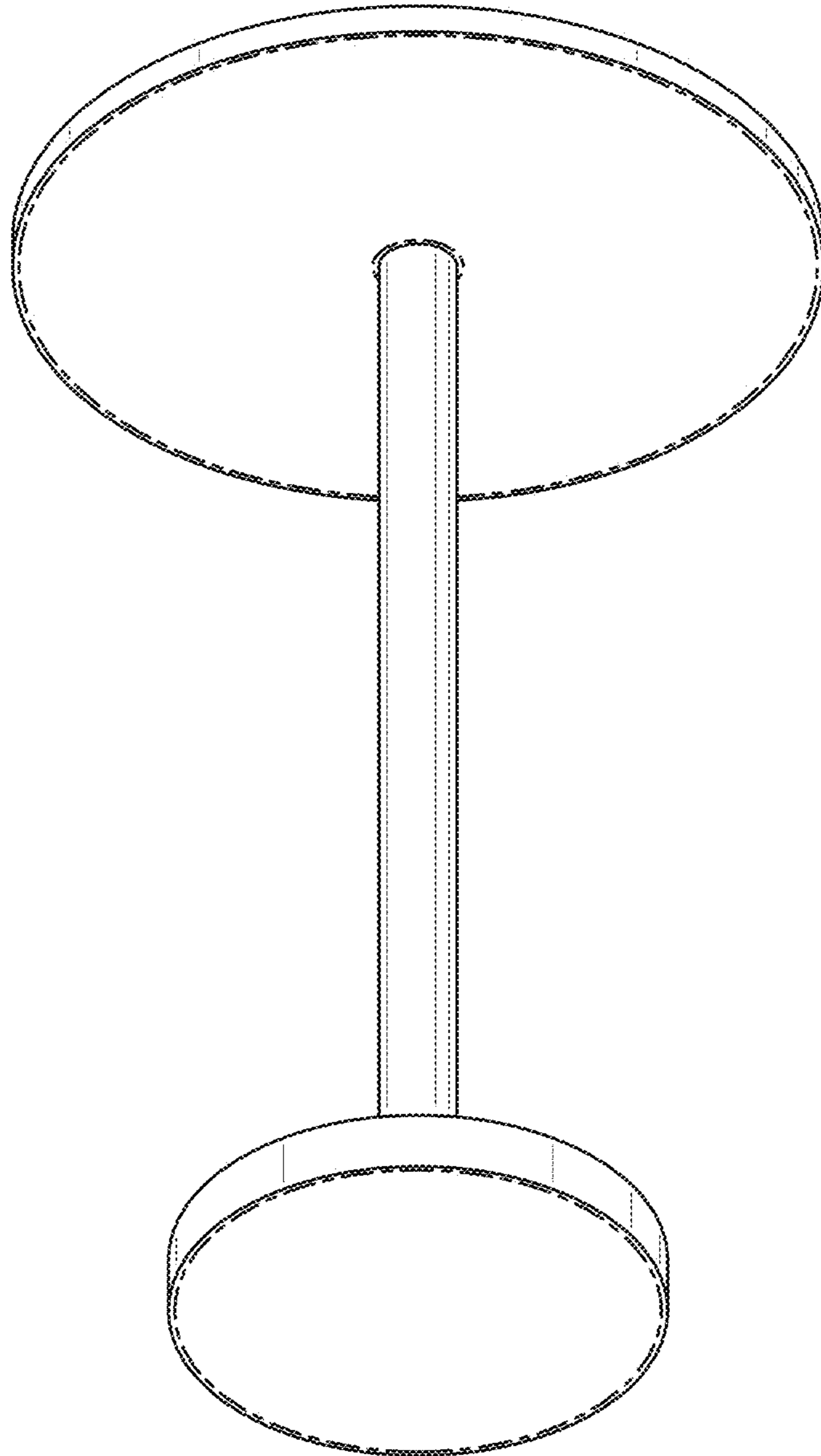


FIG. 20

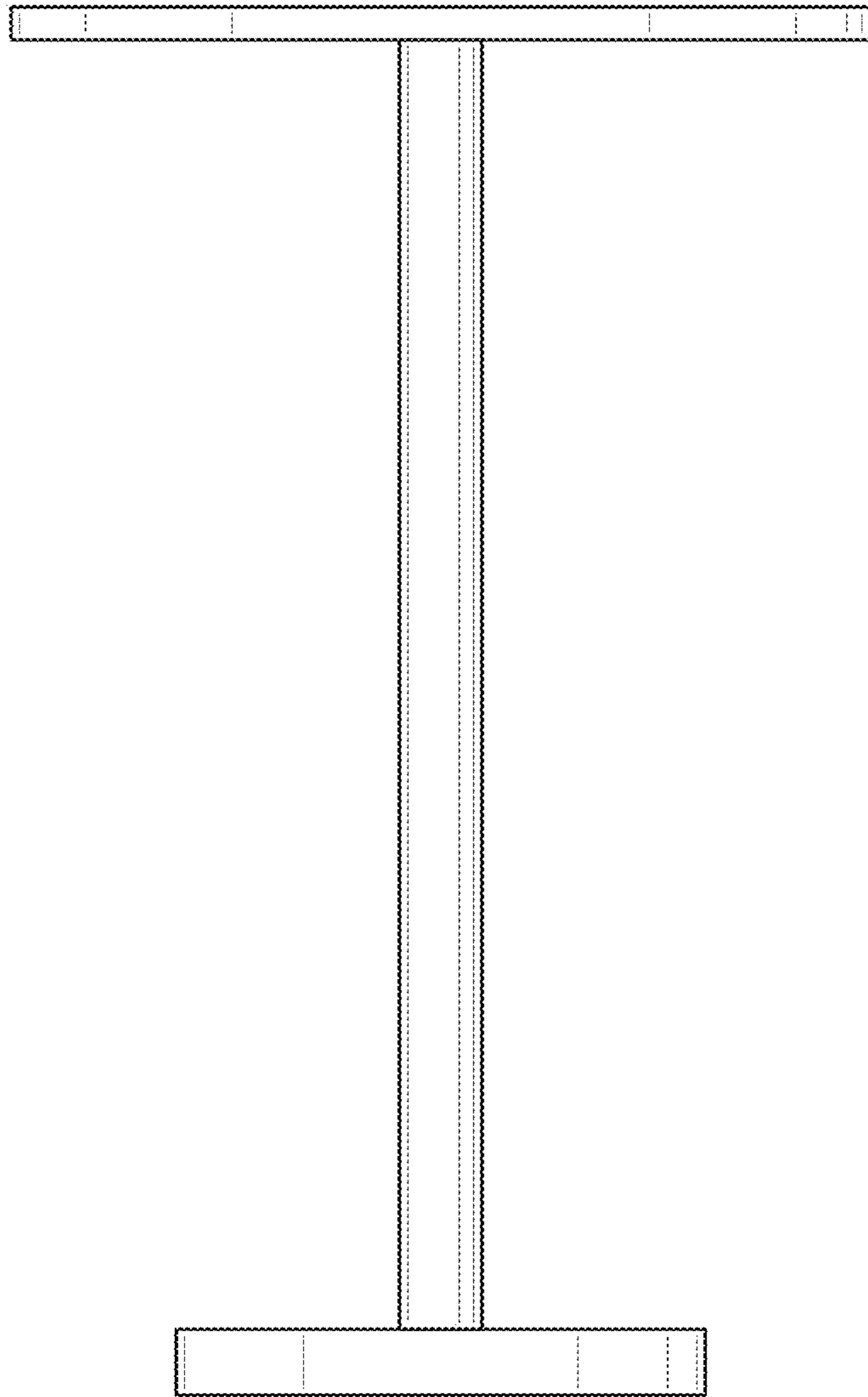


FIG. 21

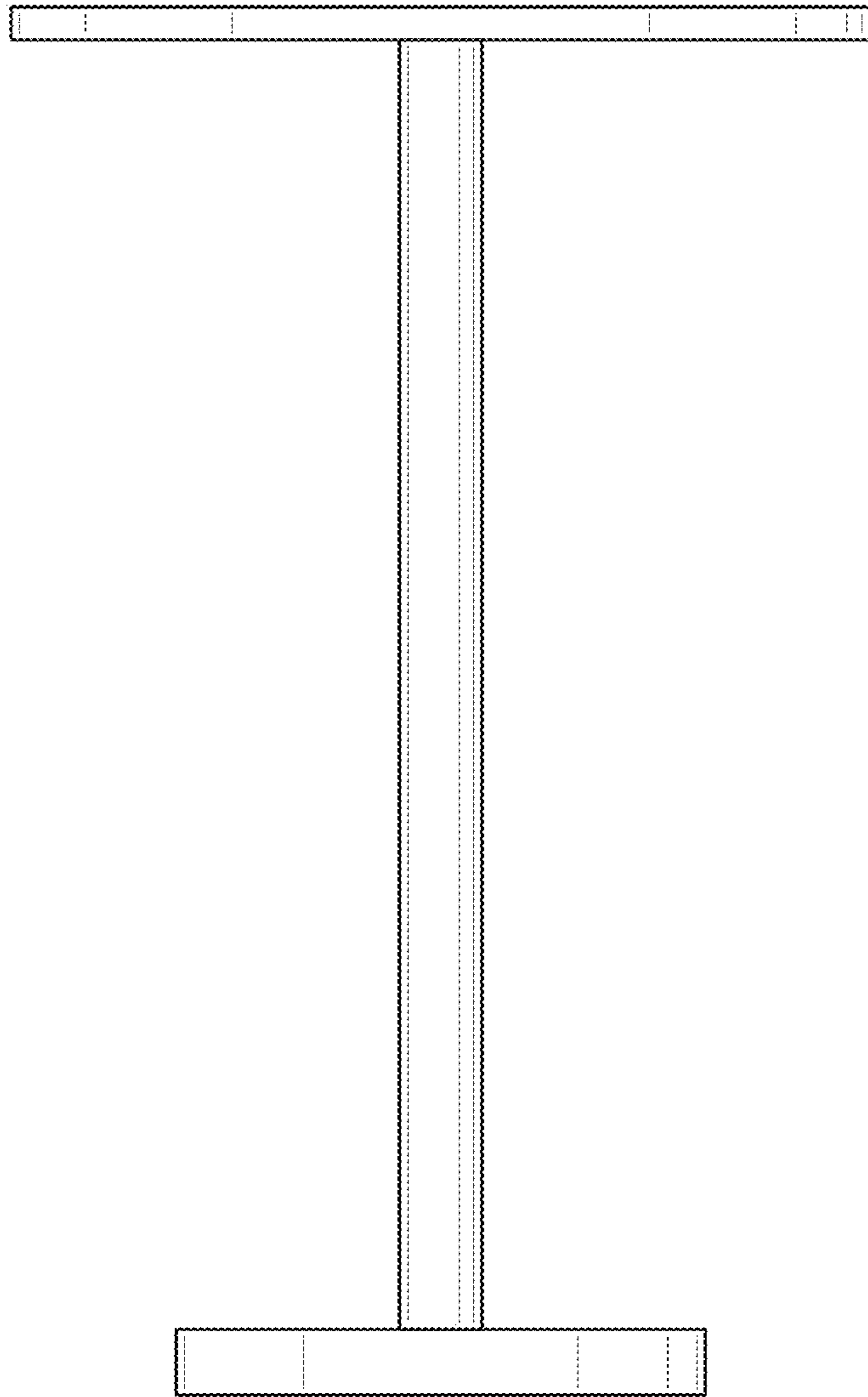


FIG. 22

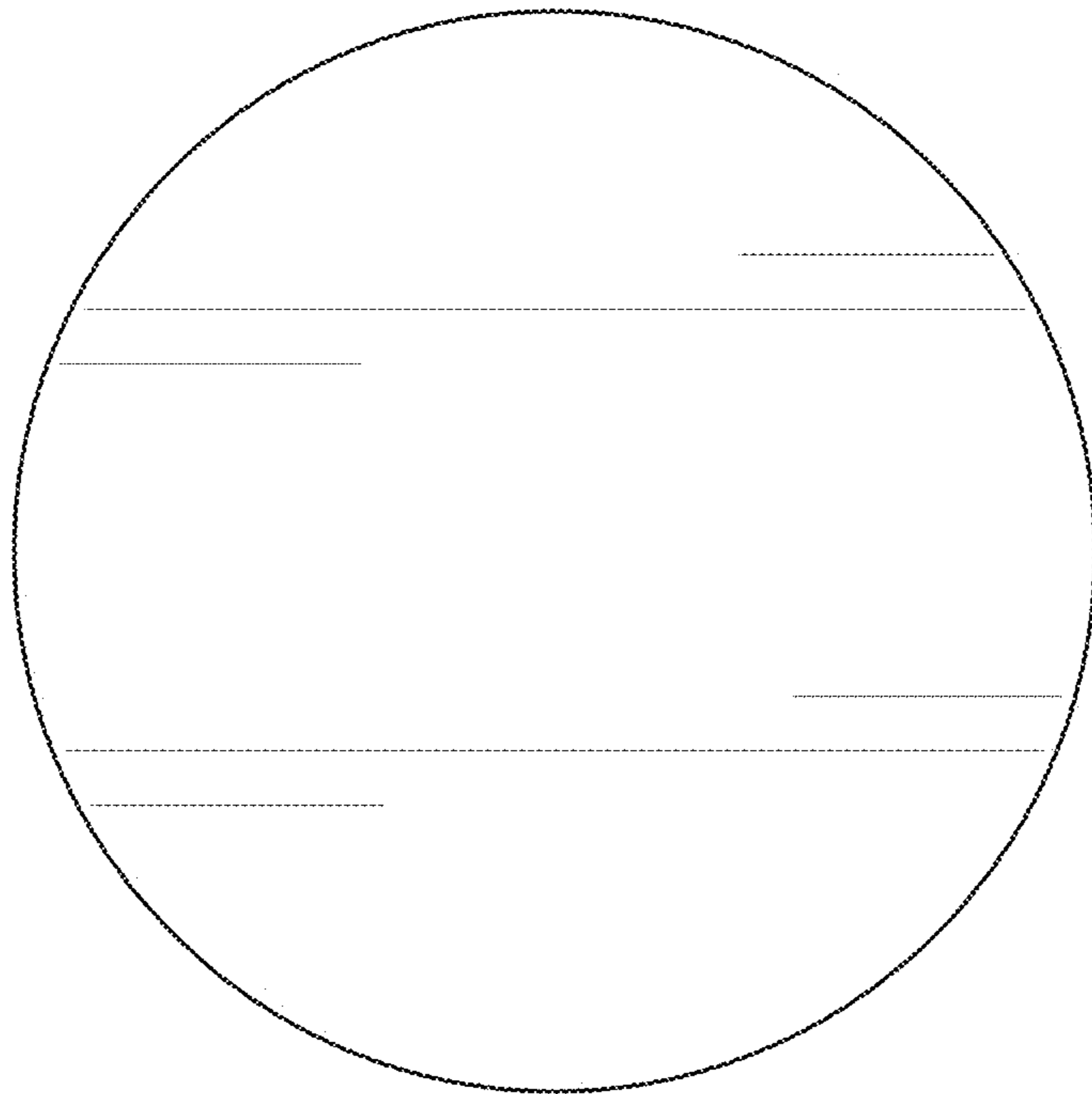


FIG. 23

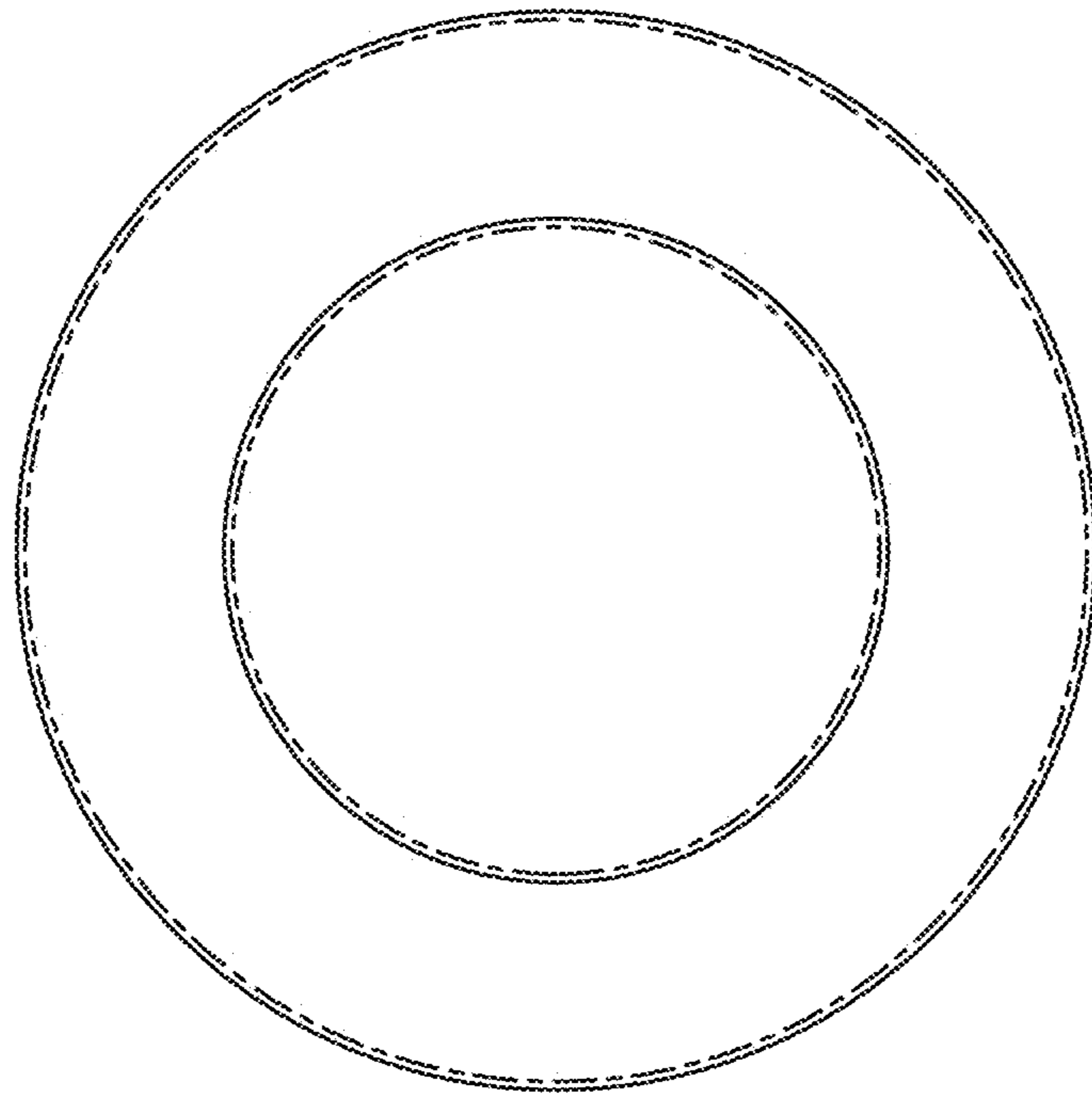


FIG. 24

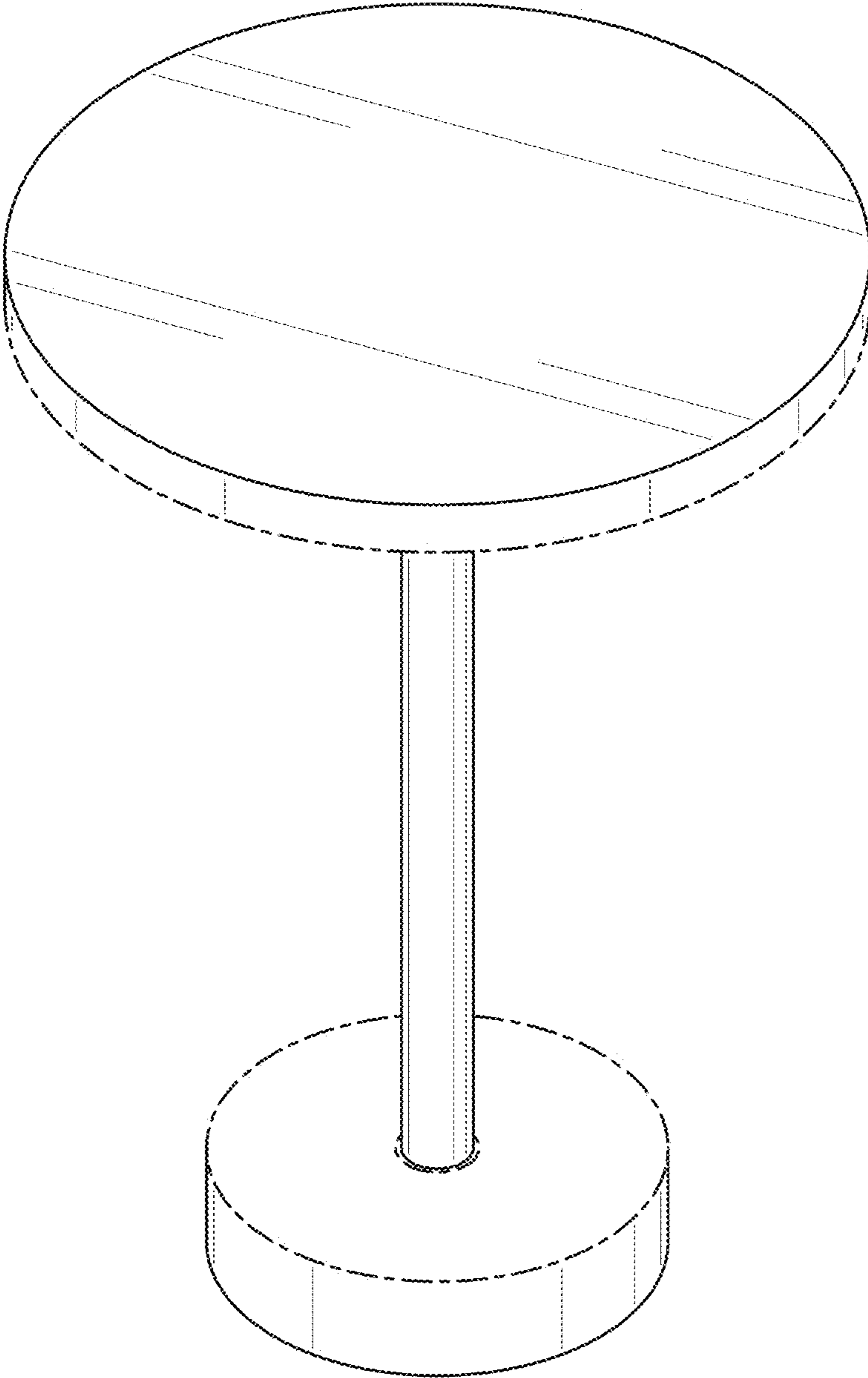


FIG. 25

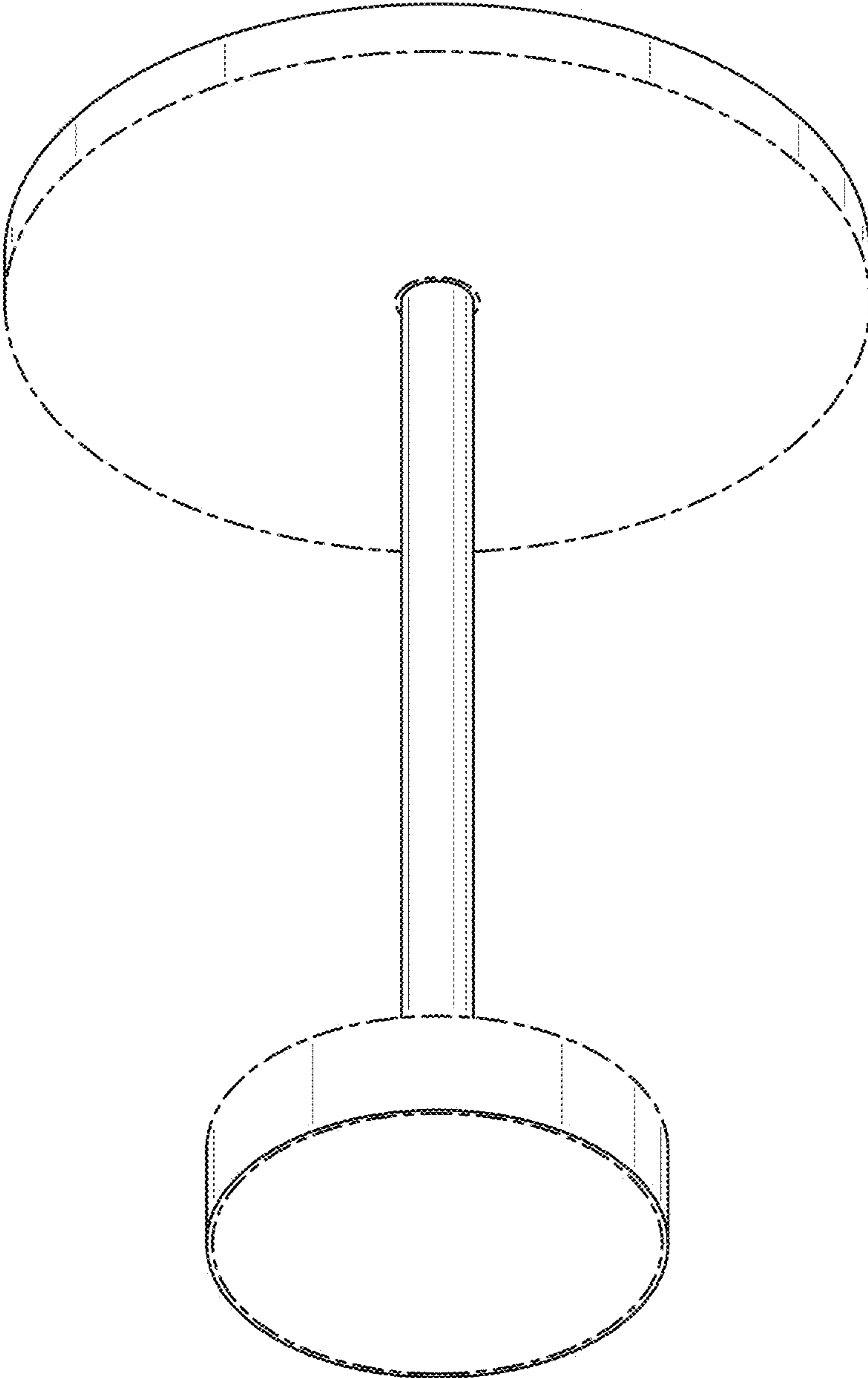


FIG. 26

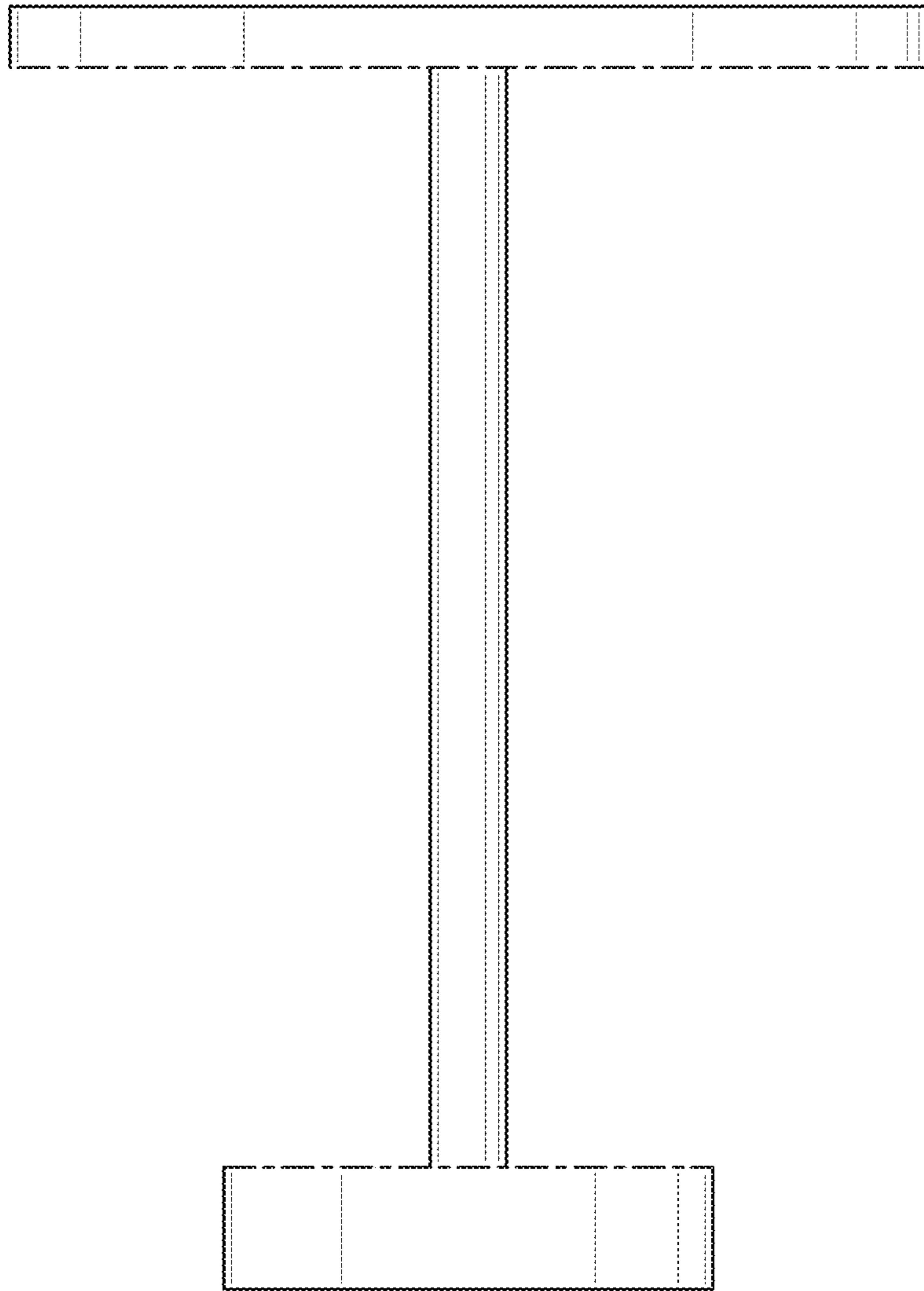


FIG. 27

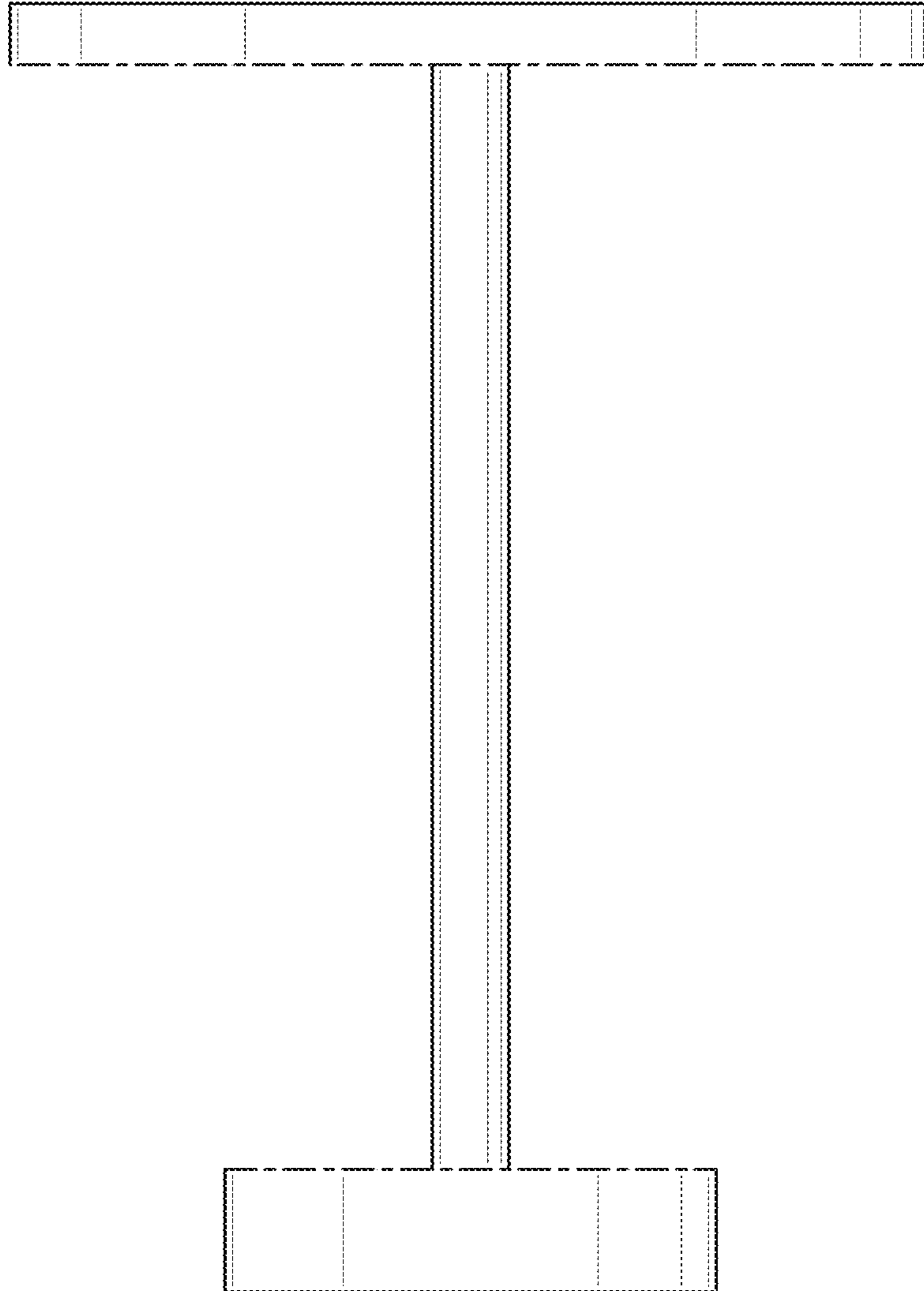


FIG. 28

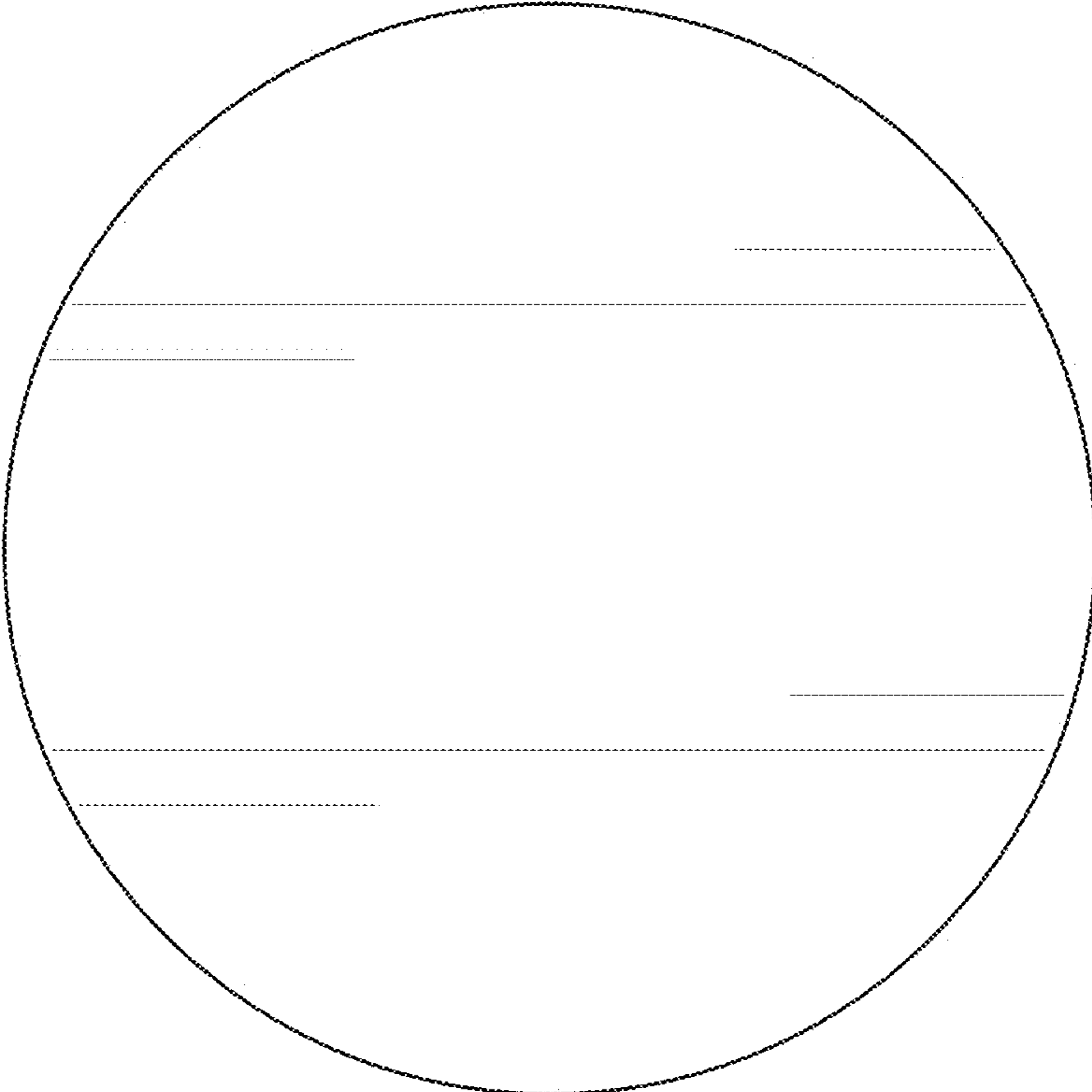


FIG. 29

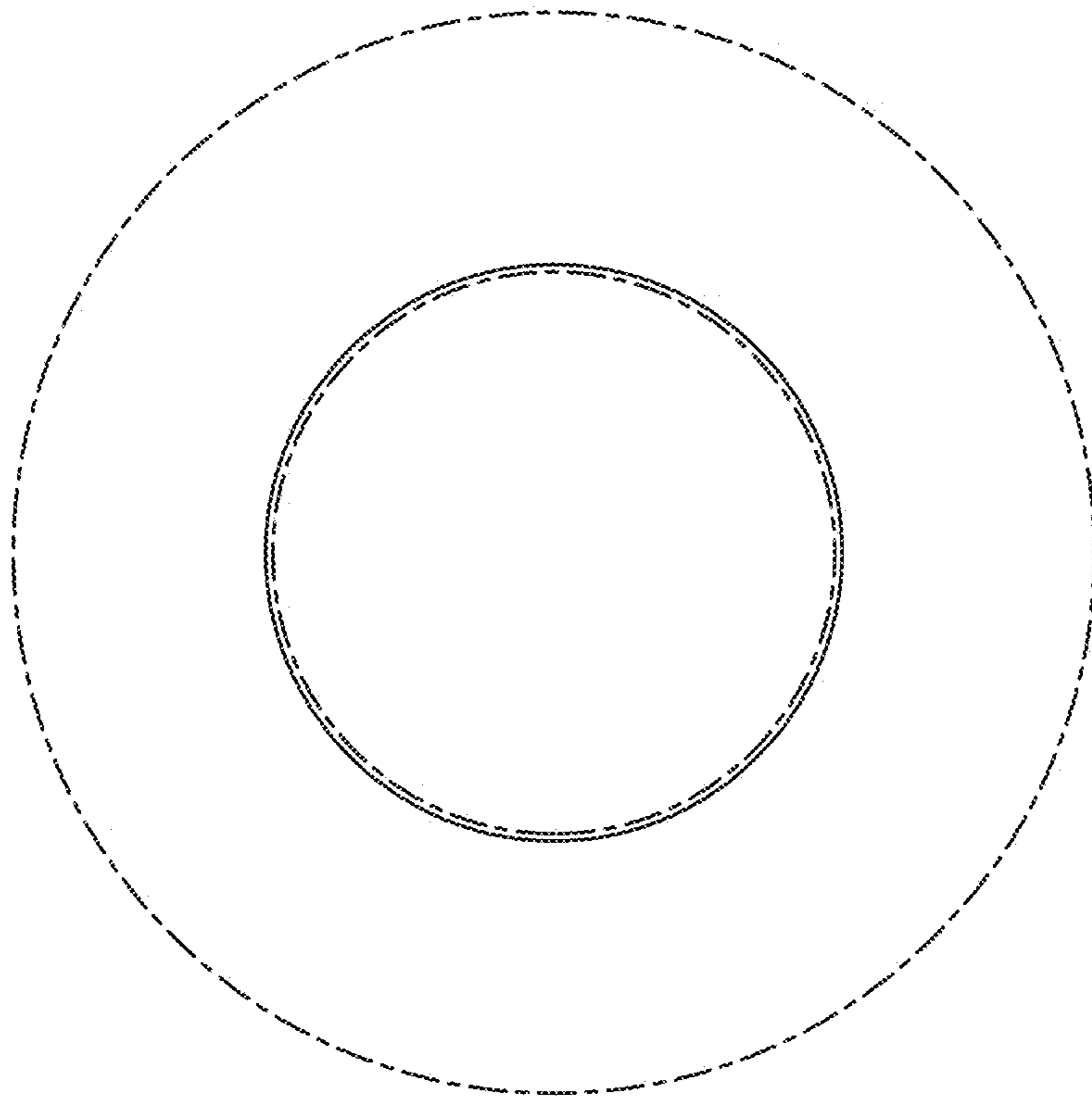


FIG. 30