



US00D956459S

(12) **United States Design Patent** (10) **Patent No.:** **US D956,459 S**
Risdall et al. (45) **Date of Patent:** **** Jul. 5, 2022**

(54) **TABLE**
(71) Applicant: **SMITH SYSTEM MANUFACTURING COMPANY INC.**, Carrollton, TX (US)
(72) Inventors: **Michael Risdall**, Plano, TX (US); **Steven Pryor**, St. Augustine, FL (US); **Jack Johnson**, McKinney, TX (US)
(73) Assignee: **Smith System Manufacturing Company**, Carrollton, TX (US)
(**) Term: **15 Years**
(21) Appl. No.: **29/737,439**
(22) Filed: **Jun. 9, 2020**

D261,712 S 11/1981 Ferdinand et al.
D332,364 S 1/1993 Bennett
D345,476 S 3/1994 Burdick
D367,193 S 2/1996 Dame et al.
D374,996 S 10/1996 Noniewicz
D384,514 S 10/1997 Pestone
D392,814 S 3/1998 Sheftel
D401,788 S 12/1998 Hellwig et al.
D403,898 S 1/1999 Arnegger
D407,245 S 3/1999 Lewis
5,918,553 A 7/1999 Hellwig et al.
D423,258 S 4/2000 Pinch
D423,832 S 5/2000 Kane et al.
6,059,071 A 5/2000 Appezzato
D428,740 S 8/2000 Maly
D432,810 S 10/2000 Eckhoff et al.
D436,763 S 1/2001 Balolia

(Continued)

Related U.S. Application Data

(63) Continuation of application No. 29/666,803, filed on Oct. 16, 2018, now Pat. No. Des. 891,838.
(51) **LOC (13) Cl.** **06-03**
(52) **U.S. Cl.**
USPC **D6/691**
(58) **Field of Classification Search**
USPC D6/641, 642, 656, 685, 686, 691, D6/691.1-691.9
CPC A47B 7/00; A47B 13/00; A47B 13/02; A47B 13/04; A47B 13/06; A47B 13/08; A47B 13/10; A47B 17/00; A47B 21/00; A47B 21/02; A47B 2200/0001; A47B 2200/0011; A47B 2200/002
See application file for complete search history.

References Cited

U.S. PATENT DOCUMENTS

D137,684 S * 4/1944 Kramer D6/691
3,463,099 A 8/1969 Douchette
D215,858 S 11/1969 Hamilton

FOREIGN PATENT DOCUMENTS

CN 104717903 B 9/2017

Primary Examiner — Mary Ann Calabrese

(74) *Attorney, Agent, or Firm* — Price Heneveld LLP

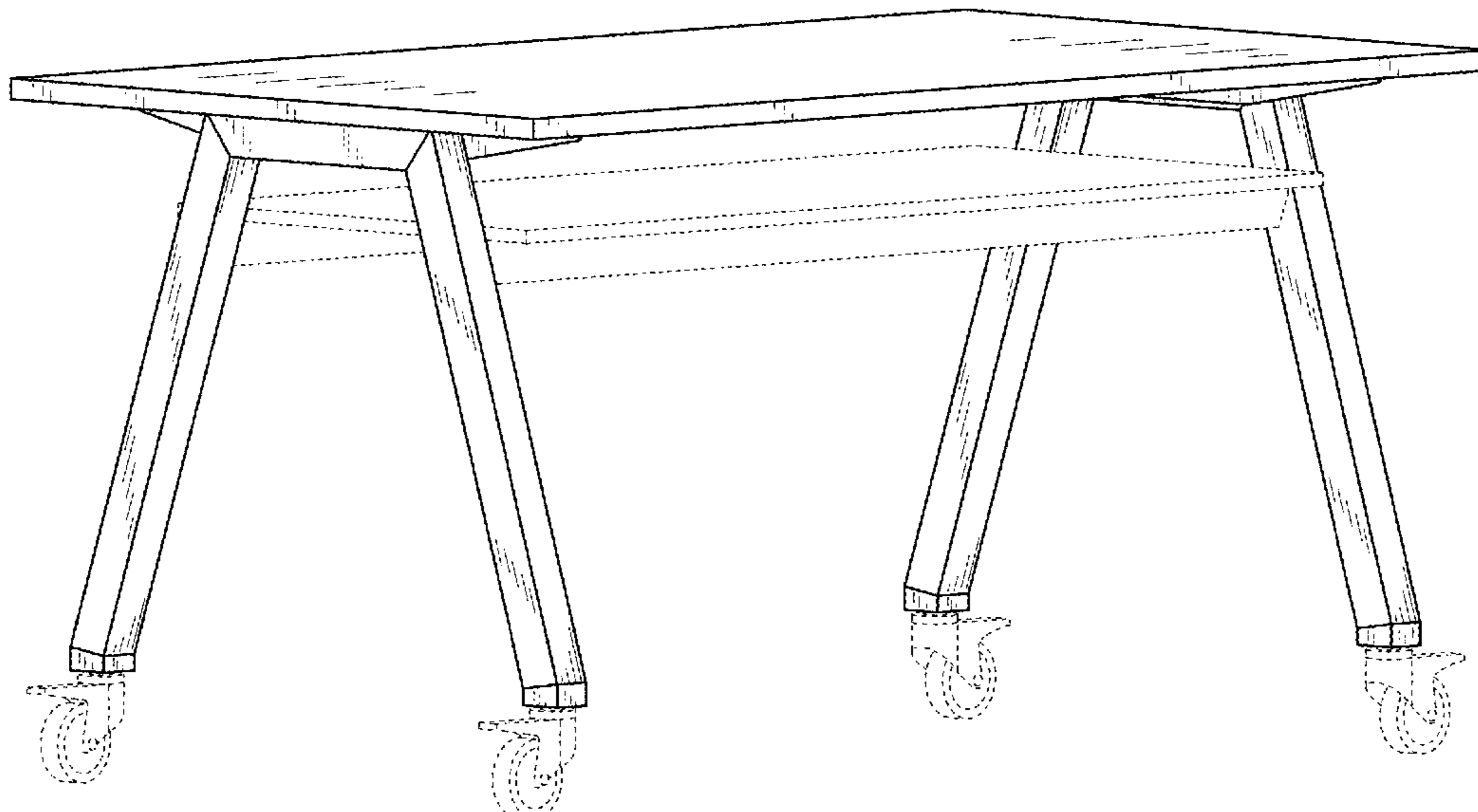
(57) **CLAIM**

We claim the ornamental design for a table, as shown and described.

DESCRIPTION

FIG. 1 is a front perspective view of a table;
FIG. 2 is a bottom perspective view thereof;
FIG. 3 is a front elevation view thereof, the rear elevation view being identical;
FIG. 4 is a right-side elevation view thereof, the left side elevation view being identical;
FIG. 5 is a top plan view thereof;
FIG. 6 is a bottom plan view thereof; and,
FIG. 7 is a cross-sectional view along VII-VII of FIG. 3.
The broken lines in FIGS. 1-7 illustrate environmental features that form no part of the claimed design.

1 Claim, 7 Drawing Sheets



(56)

References Cited

U.S. PATENT DOCUMENTS

D469,271 S	1/2003	Avrahami	D775,875 S	1/2017	Gaschy et al.
D477,931 S	8/2003	Chang	D775,876 S	1/2017	Gaschy et al.
D490,252 S	5/2004	Newhouse	D781,085 S	3/2017	Liu
D491,962 S	6/2004	Laga	D784,740 S	4/2017	Chipperfield
6,845,723 B2	1/2005	Kottman et al.	D784,744 S	4/2017	Burdern
D506,888 S	7/2005	Althofer	9,629,451 B2	4/2017	Harper
D585,218 S	1/2009	Hamilton et al.	D785,375 S	5/2017	Flaherty et al.
D604,958 S	12/2009	Symons	D794,985 S	8/2017	Tsuchiyama
D641,186 S	7/2011	Martin et al.	D797,478 S	9/2017	Merrit
D649,810 S	12/2011	Martin et al.	D799,248 S	10/2017	Miller et al.
D651,430 S	1/2012	Martin et al.	D801,092 S	10/2017	Merritt
D671,339 S	11/2012	Nakamura	D802,345 S	11/2017	Hurford
D674,217 S	1/2013	al-Rawi	D808,204 S	1/2018	Davis et al.
D675,041 S	1/2013	Mecherle et al.	D814,829 S	4/2018	Davis et al.
8,371,237 B2	2/2013	Weber	9,950,728 B2	4/2018	Weiser et al.
D689,305 S	9/2013	Mari	D817,673 S	5/2018	Hiyoshi
D695,557 S	12/2013	Carretta	D818,751 S	5/2018	Merrit
D700,465 S	3/2014	Johnson et al.	D822,109 S	7/2018	Avallon et al.
D722,802 S	2/2015	Mueller et al.	D855,363 S *	8/2019	Grassinger D6/691
D723,850 S	3/2015	Mueller et al.	D868,516 S *	12/2019	Velez D6/691.1
D729,556 S	5/2015	Sampietro	D869,208 S *	12/2019	Grassinger D6/691
D732,852 S	6/2015	Park et al.	D891,838 S *	8/2020	Risdall D6/655
9,265,340 B2	2/2016	Krusin et al.	D914,415 S *	3/2021	Lim D6/691
			2017/0258225 A1	9/2017	Reeves et al.
			2017/0311713 A1	11/2017	Bathey

* cited by examiner

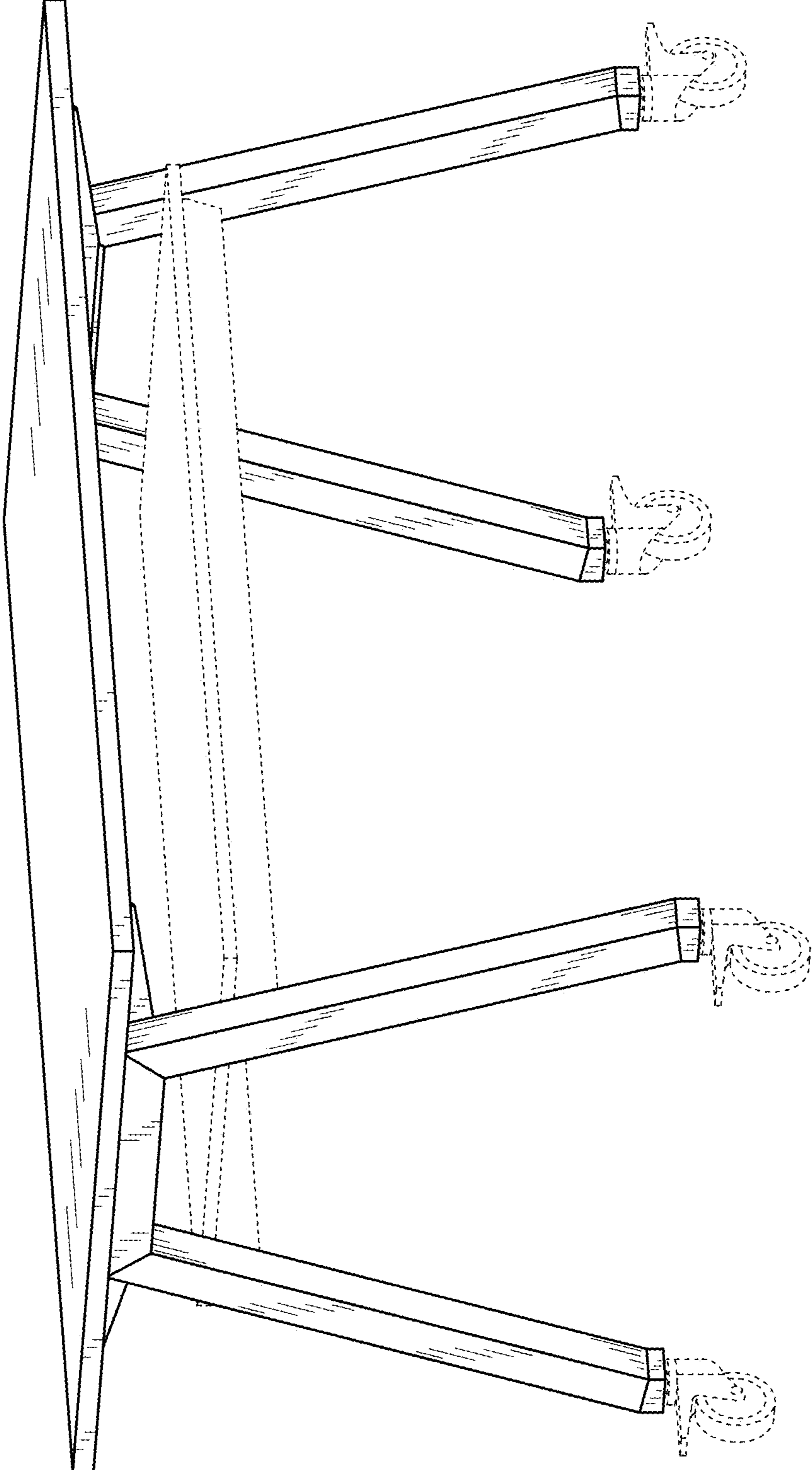


FIG. 1

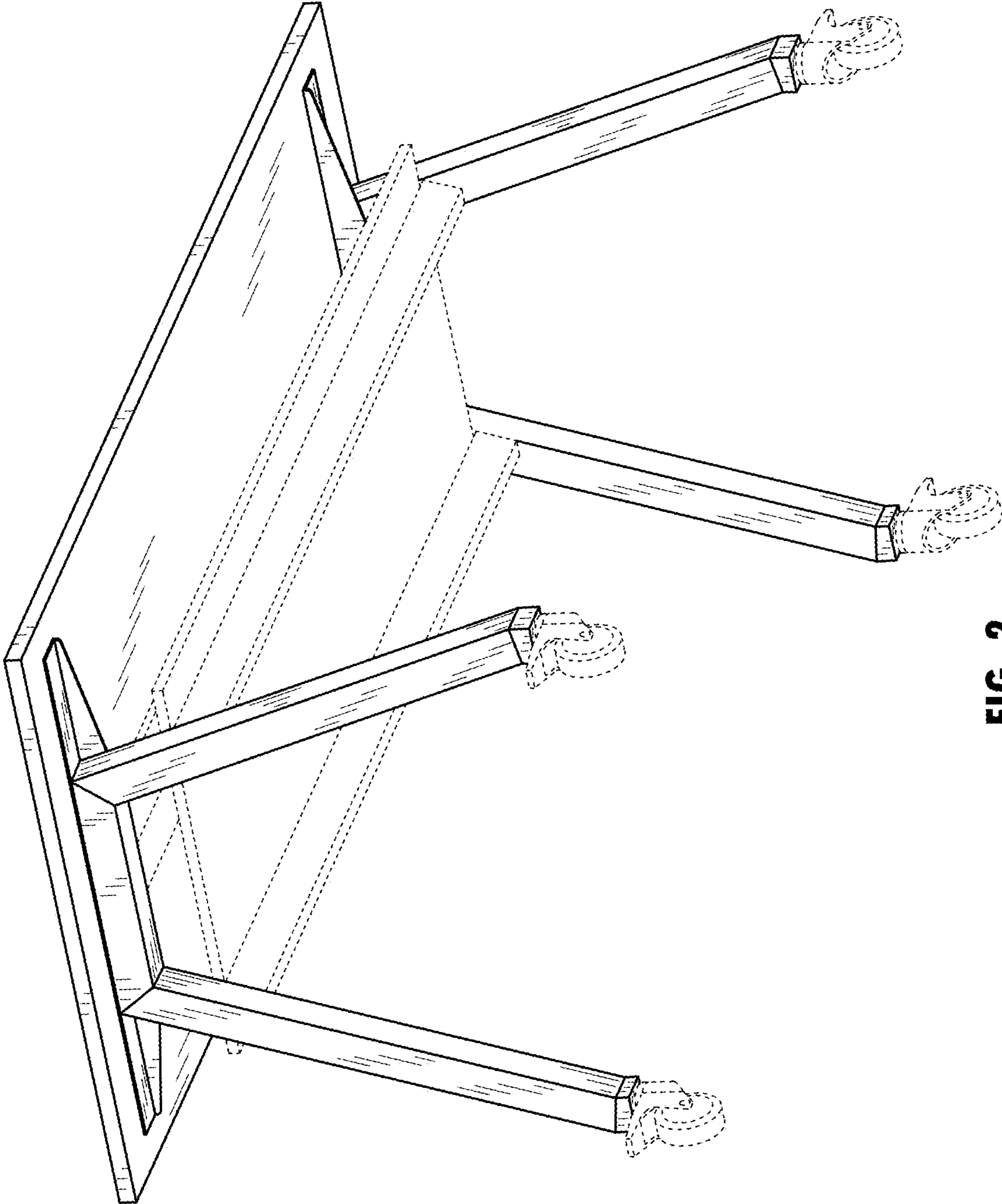


FIG. 2

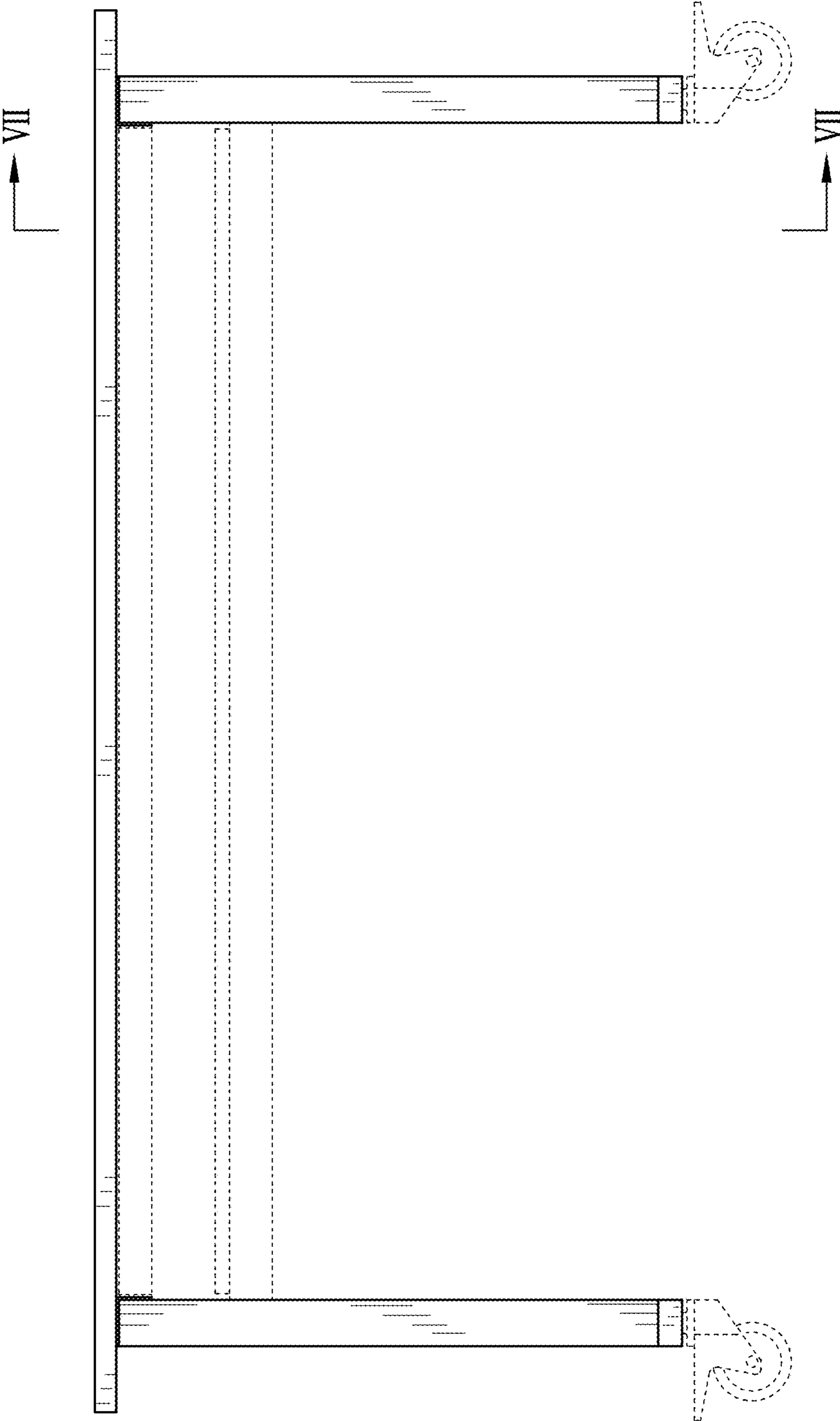


FIG. 3

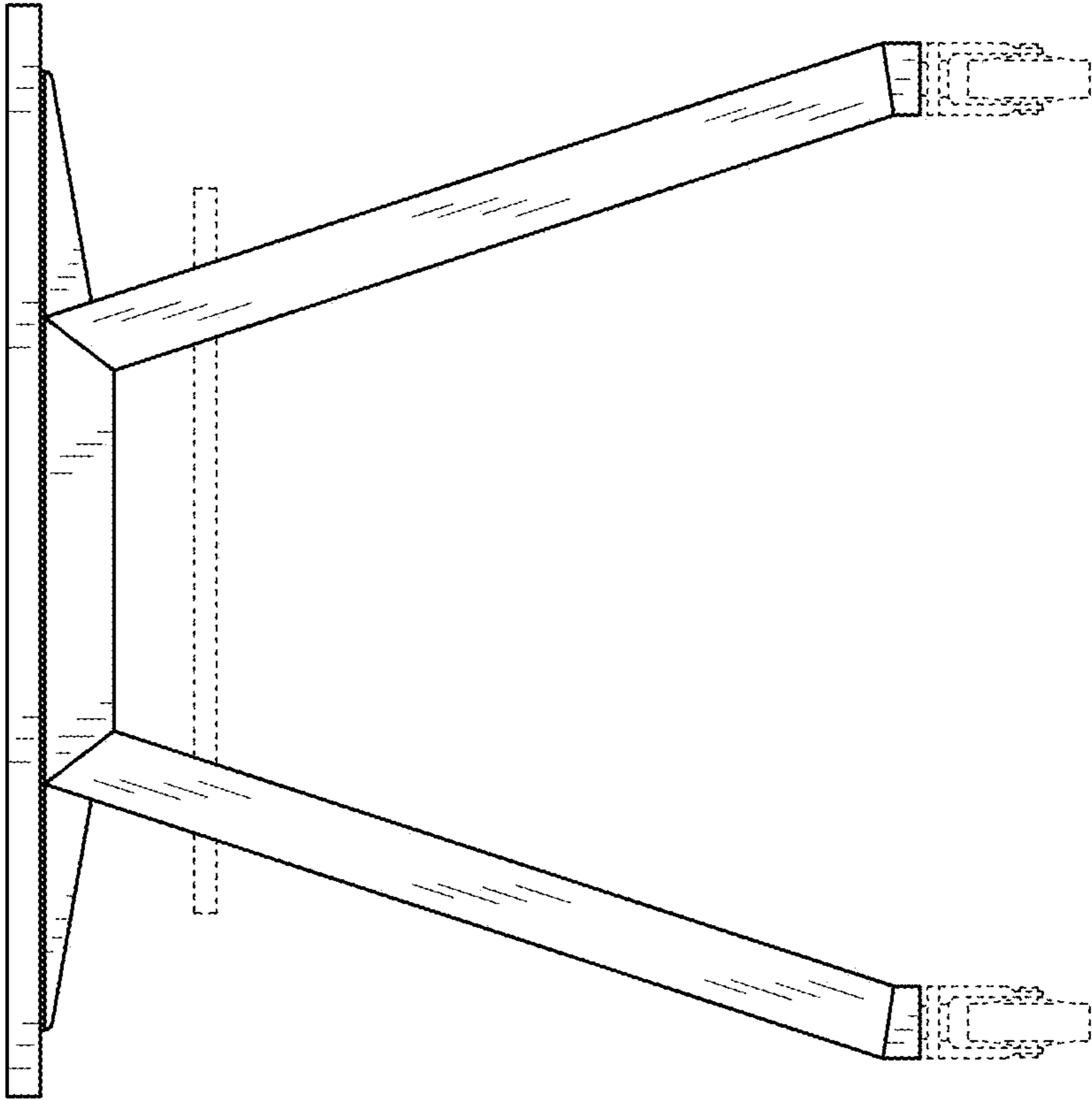


FIG. 4

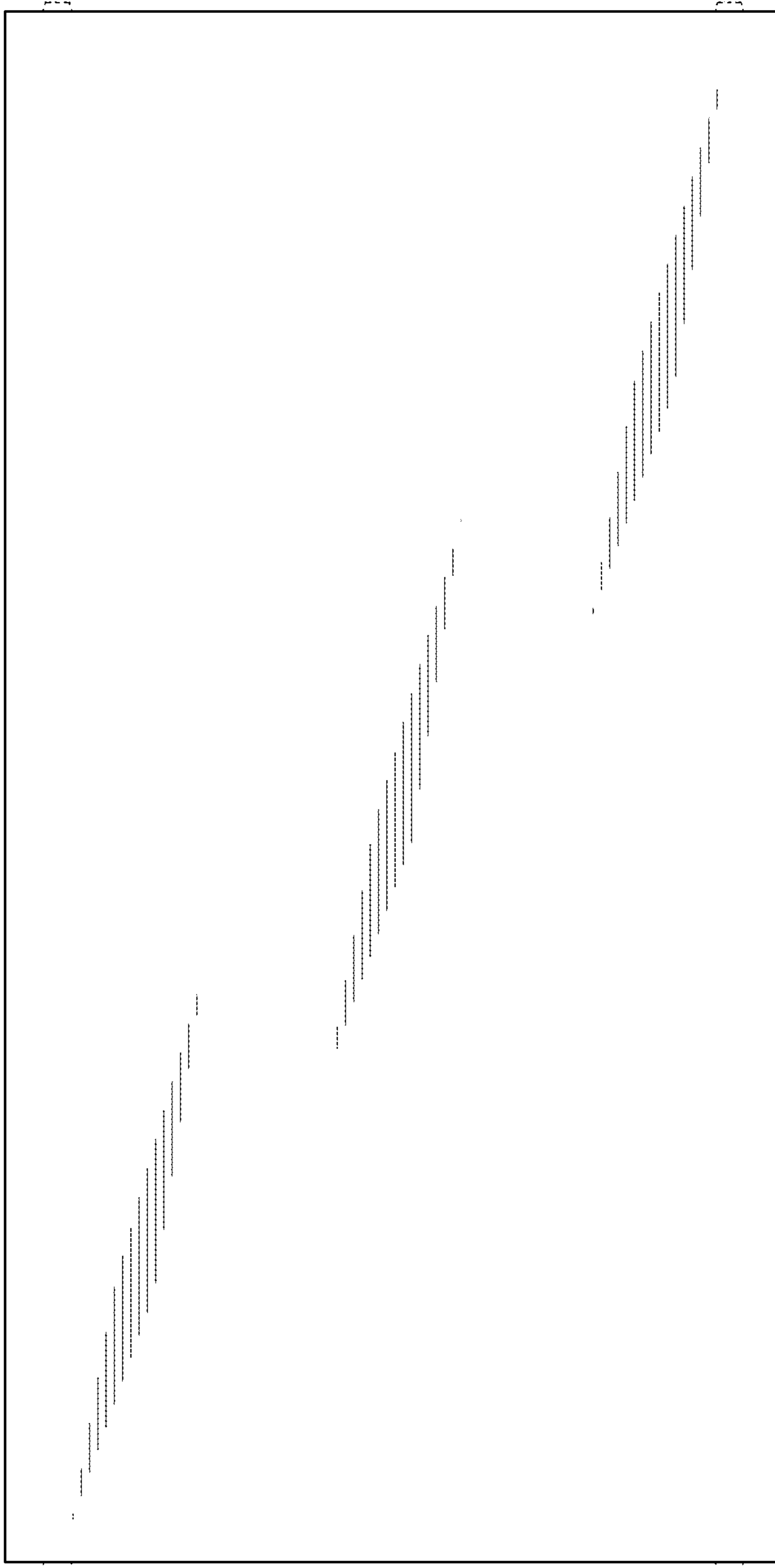


FIG. 5

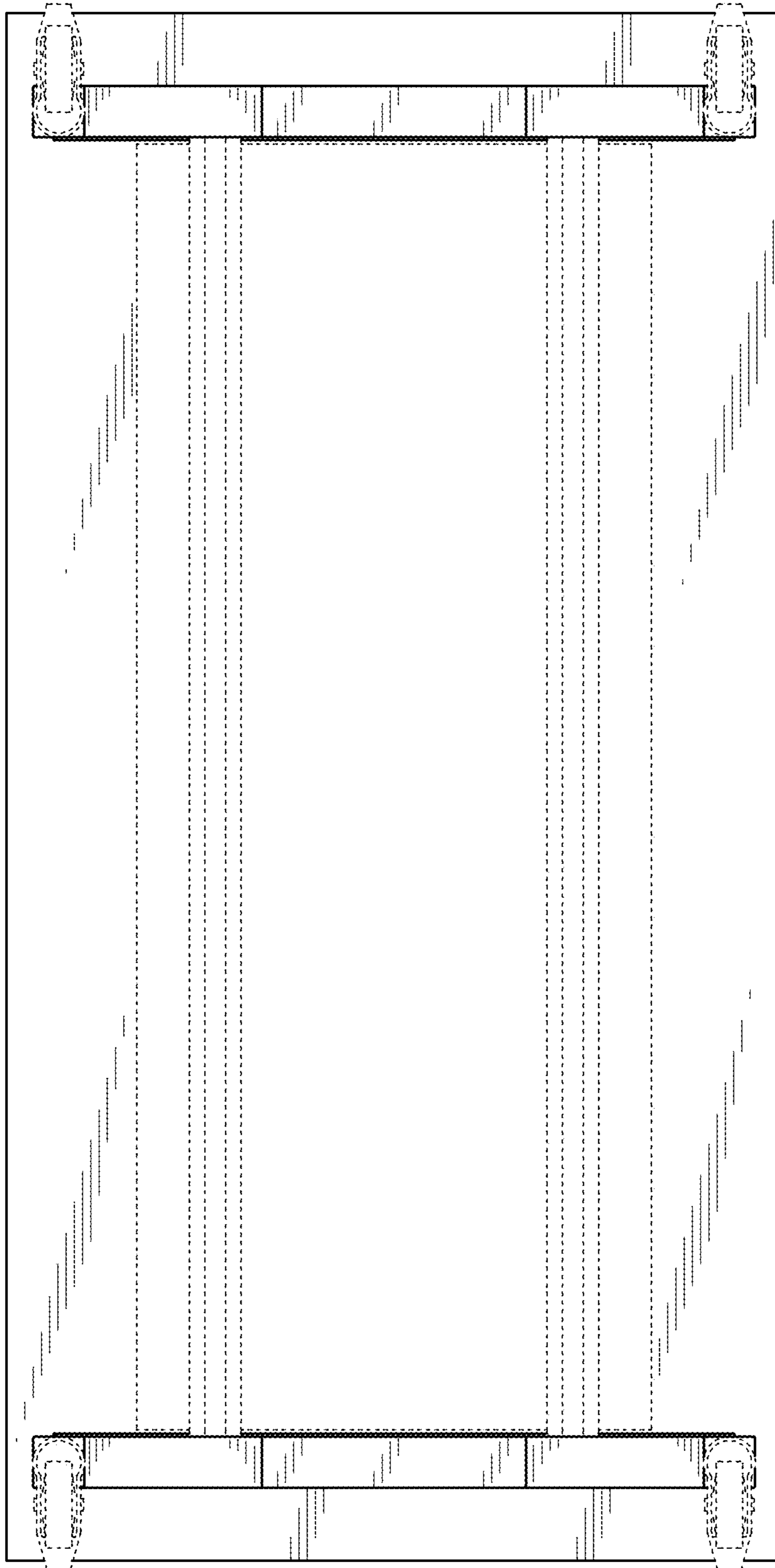


FIG. 6

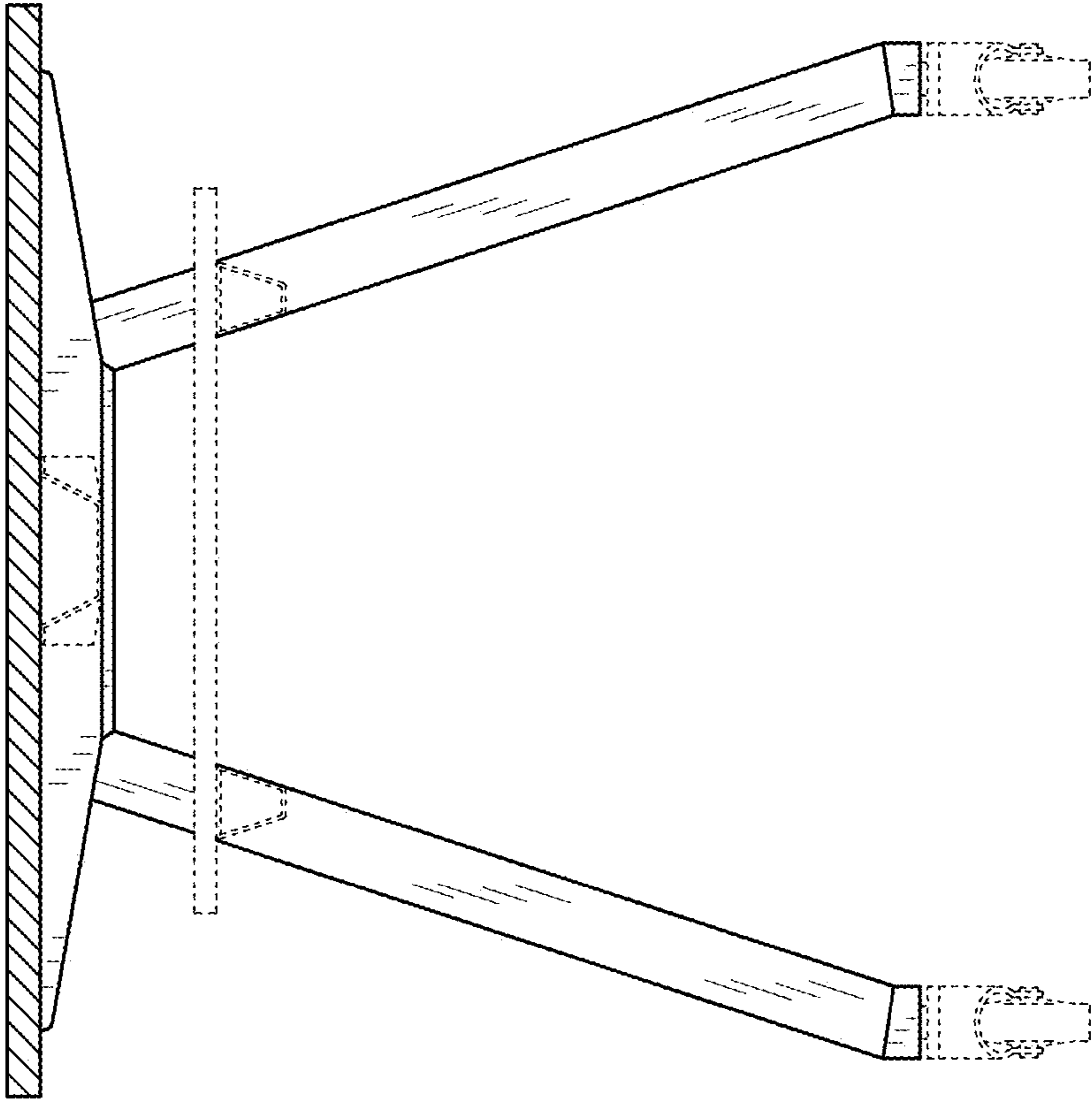


FIG. 7