



US00D956458S

(12) **United States Design Patent**
Wang

(10) **Patent No.:** **US D956,458 S**
(45) **Date of Patent:** **** Jul. 5, 2022**

- (54) **RACK**
- (71) Applicant: **Beijing Yingchuang Sky Technology Co., Ltd., Chaoyang (CN)**
- (72) Inventor: **Wenbo Wang, Chaoyang (CN)**
- (**) Term: **15 Years**
- (21) Appl. No.: **29/740,728**
- (22) Filed: **Jul. 7, 2020**
- (51) **LOC (13) Cl.** **06-06**
- (52) **U.S. Cl.**
USPC **D6/675.5**
- (58) **Field of Classification Search**
USPC D6/672, 673, 675, 675.1, 678, 678.1, D6/678.4, 680.2, 680.3, 681.1, 681.2, D6/682, 682.2, 682.4
CPC A47B 55/02; A47G 19/08; A47F 5/0018; A47F 5/101; A47F 7/0057; A47F 7/0064; A47F 7/283; A47J 47/16
See application file for complete search history.

- D467,097 S * 12/2002 Poynter D6/675.2
- D478,739 S * 8/2003 Sparkowski D6/675.2
- 6,811,042 B2 * 11/2004 Kelly A47B 81/007
211/74
- D546,585 S * 7/2007 Tsai D6/675.2
- D594,252 S * 6/2009 Gehring D6/675.2
- 8,777,019 B2 * 7/2014 Dovell A45C 11/20
211/49.1
- D756,177 S * 5/2016 Tsai D6/681
- 9,586,803 B1 * 3/2017 Snyker B67D 3/0051
- D785,995 S * 5/2017 Tsai D6/705.6
- D804,225 S * 12/2017 Bian D6/675.5
- D890,554 S * 7/2020 Nie D6/675.4
- D908,452 S * 1/2021 Song D7/701

(Continued)

OTHER PUBLICATIONS

4-Tier Detachable Water Bottle Holder, <https://www.atiangle.com/collections/5-gallon-water-bottle-rack/products/atiangle-5-gallon-water-cooler-jug-rack-for-8-bottles-4-tier-detachable-water-bottle-holder-heavy-duty-q235-carbon-steel-water-jug-organizer-with-floor-protection-for-kitchen-office-home>, Oct. 30, 2019.

Primary Examiner — Kelley A Donnelly
(74) *Attorney, Agent, or Firm* — Rumit Ranjit Kanakia

(56) **References Cited**
U.S. PATENT DOCUMENTS

- 1,638,173 A * 8/1927 Spaulding A21B 3/00
108/1
- D166,307 S * 4/1952 Gibbs D6/675.2
- 2,793,760 A * 5/1957 Zel A47F 5/13
211/130.1
- 3,160,278 A * 12/1964 Varkala A47B 73/002
211/74
- 3,606,023 A * 9/1971 Edmunds A47B 73/006
211/74
- D290,792 S * 7/1987 Kester D6/675.5
- D308,608 S * 6/1990 Arnold 34/442
- 4,998,631 A * 3/1991 Fridjhon A47B 73/002
211/74
- 5,370,245 A * 12/1994 Tersch A47B 73/006
211/74
- 6,135,297 A * 10/2000 DeShazo A47B 81/007
211/74

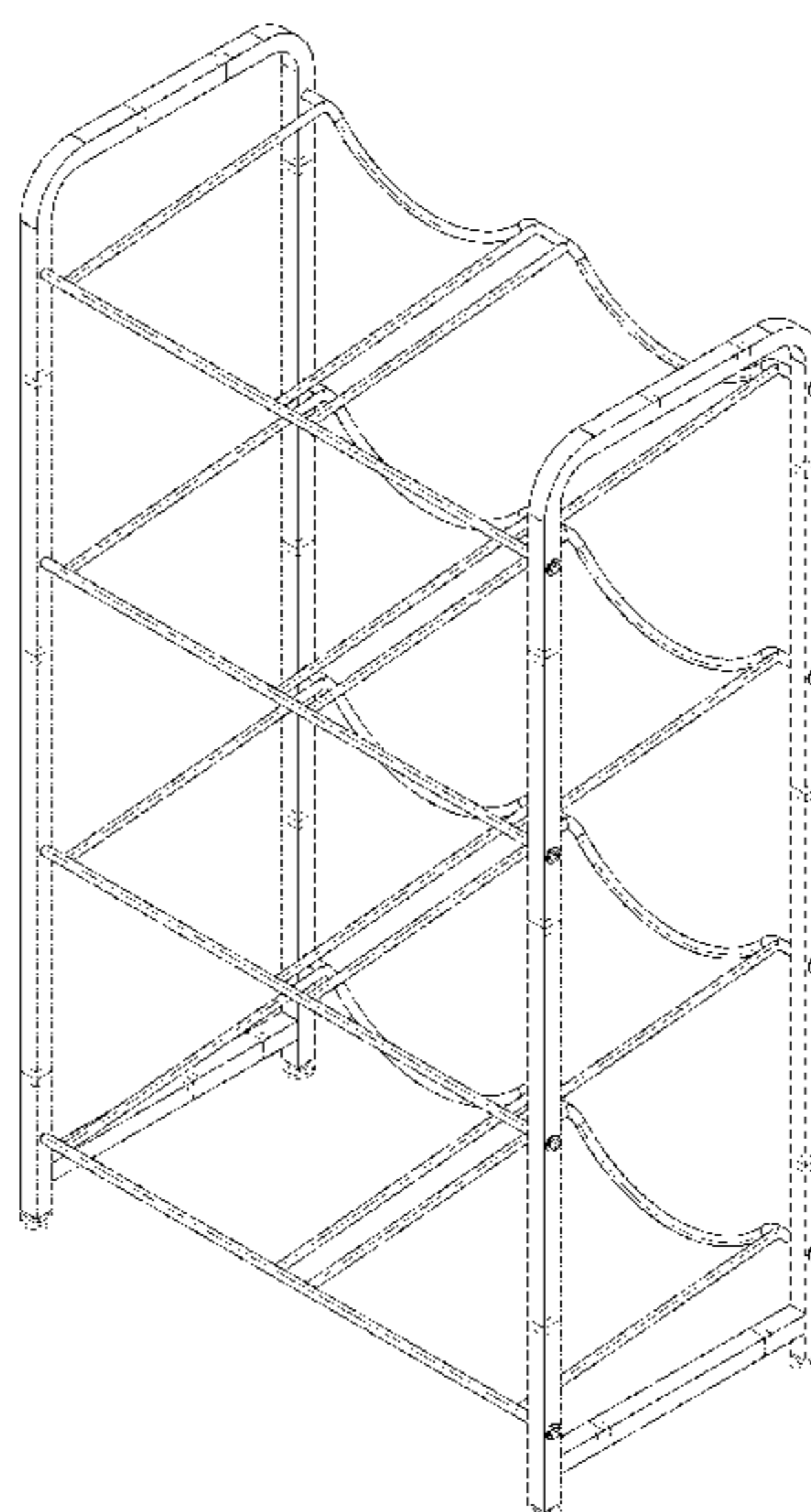
(57) **CLAIM**

I claim the ornamental design for a rack, as shown and described.

DESCRIPTION

FIG. 1 is a Perspective view of a rack showing my new design;
FIG. 2 is a Front view thereof;
FIG. 3 is a Back view thereof;
FIG. 4 is a Right-side view thereof;
FIG. 5 is a Left-side view thereof;
FIG. 6 is a Top view thereof; and,
FIG. 7 is a Bottom view thereof.
The broken lines are for the purpose of illustrating portions of the article that form no part of the claim.

1 Claim, 7 Drawing Sheets



(56)

References Cited

U.S. PATENT DOCUMENTS

D937,018 S * 11/2021 Liu D6/675.5
2013/0037499 A1* 2/2013 Kelly A47F 1/12
211/59.2
2021/0147106 A1* 5/2021 Koefeld B65D 21/0215

* cited by examiner

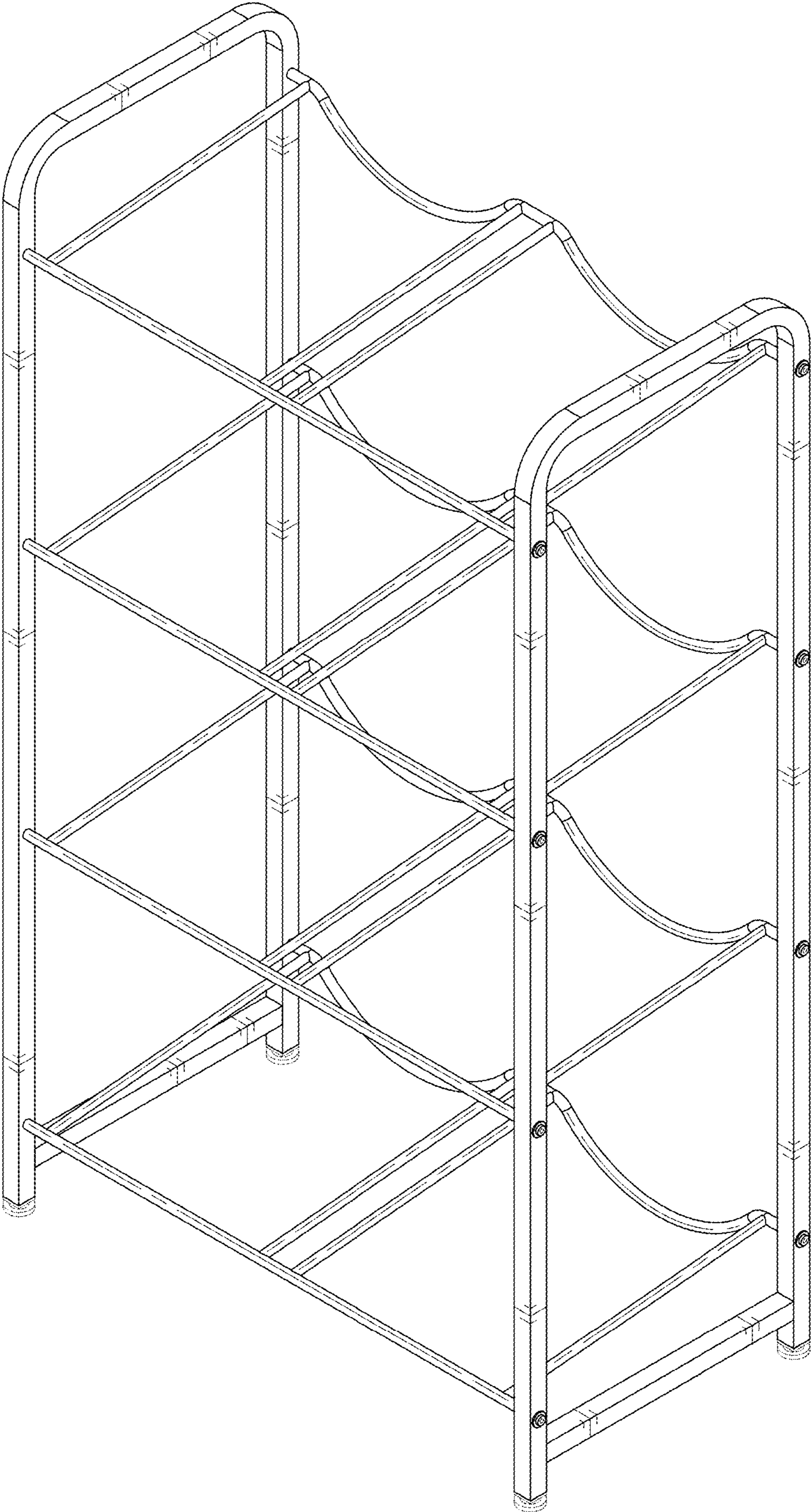


FIG. 1

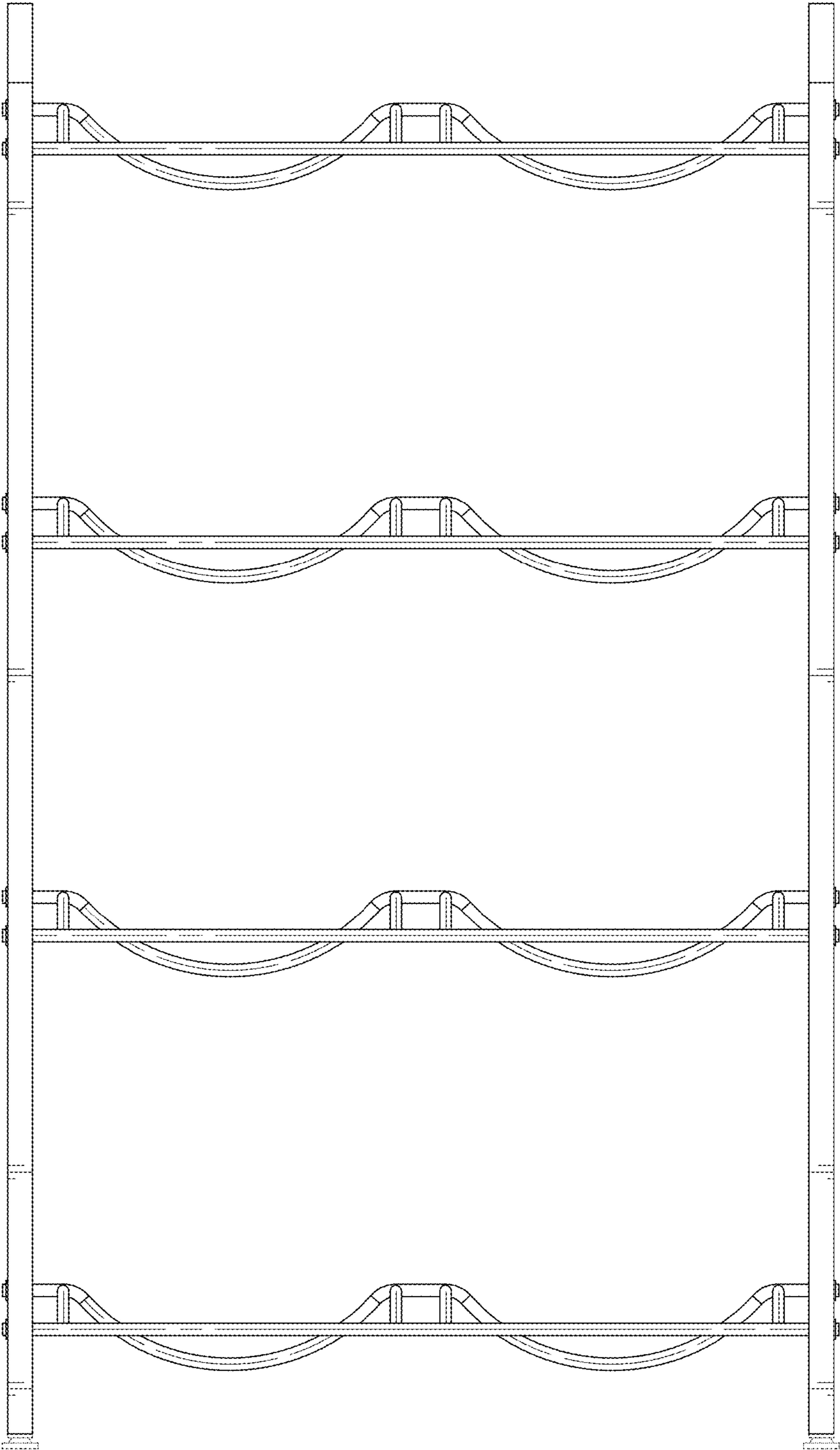


FIG. 2

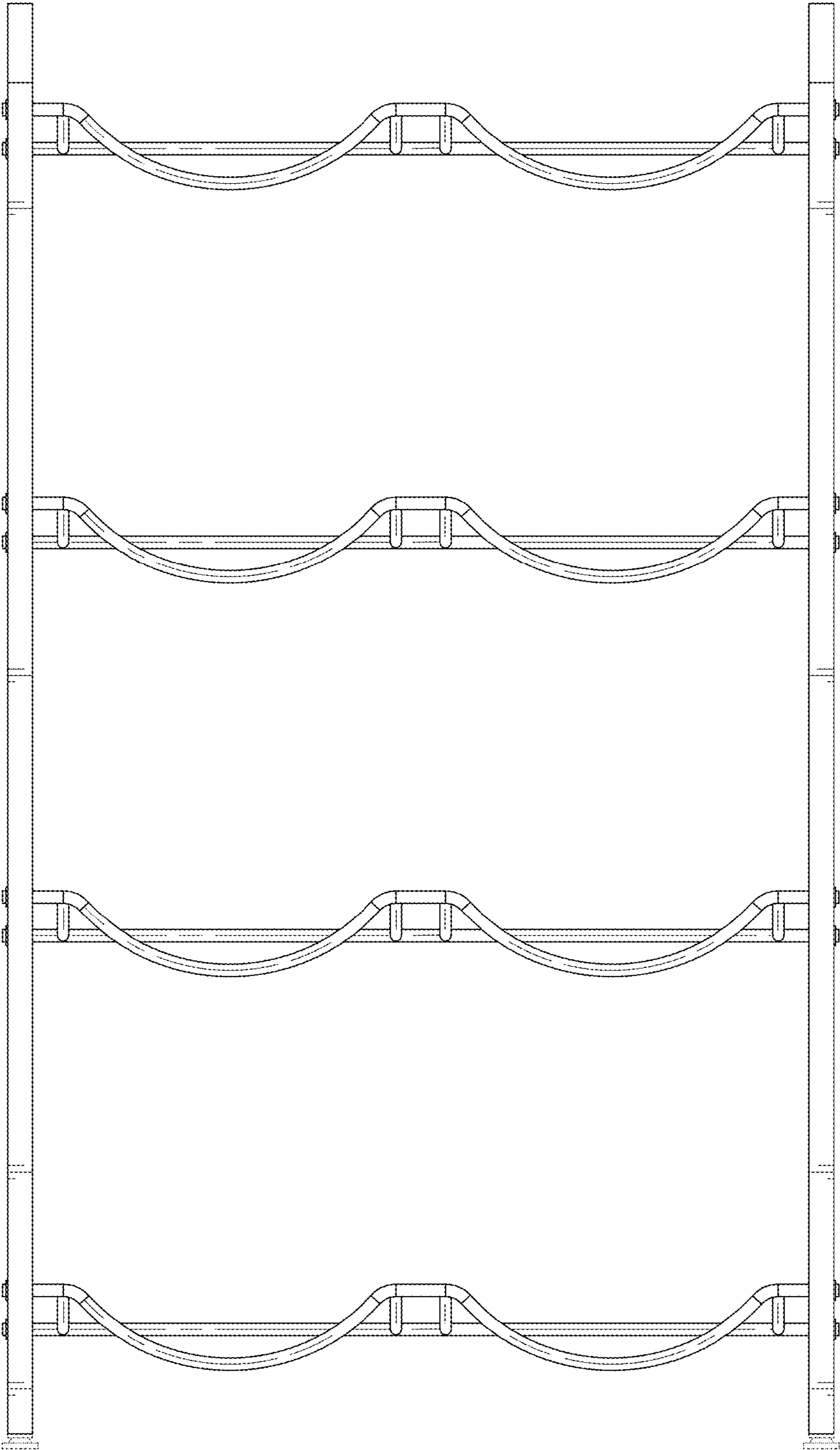


FIG. 3

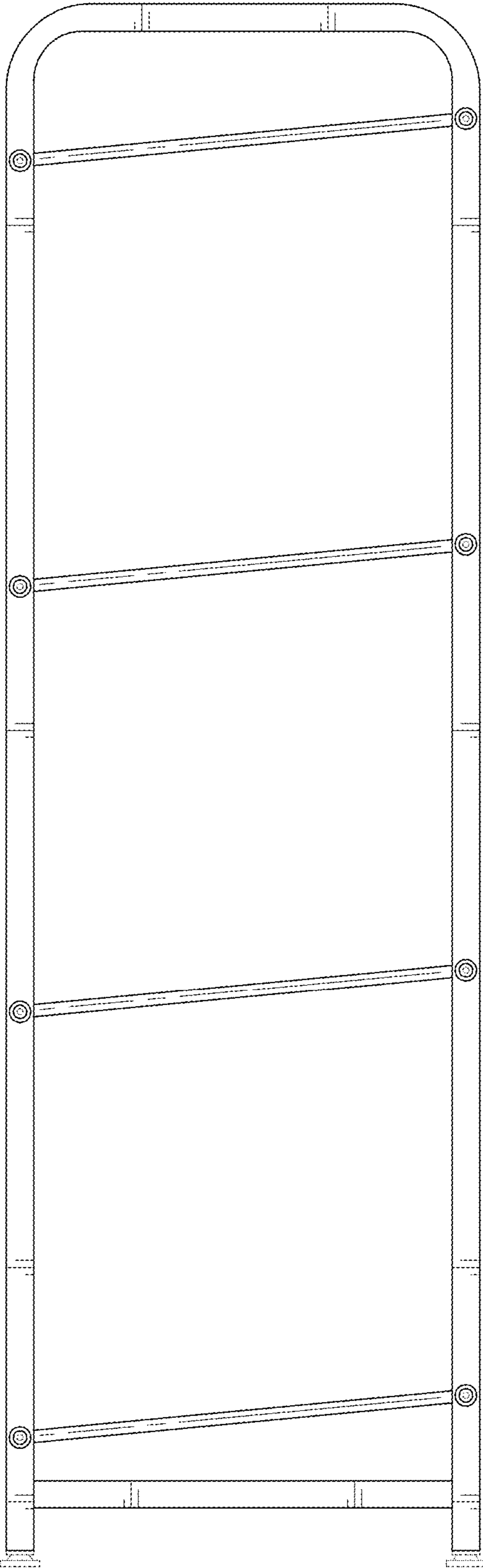


FIG. 4

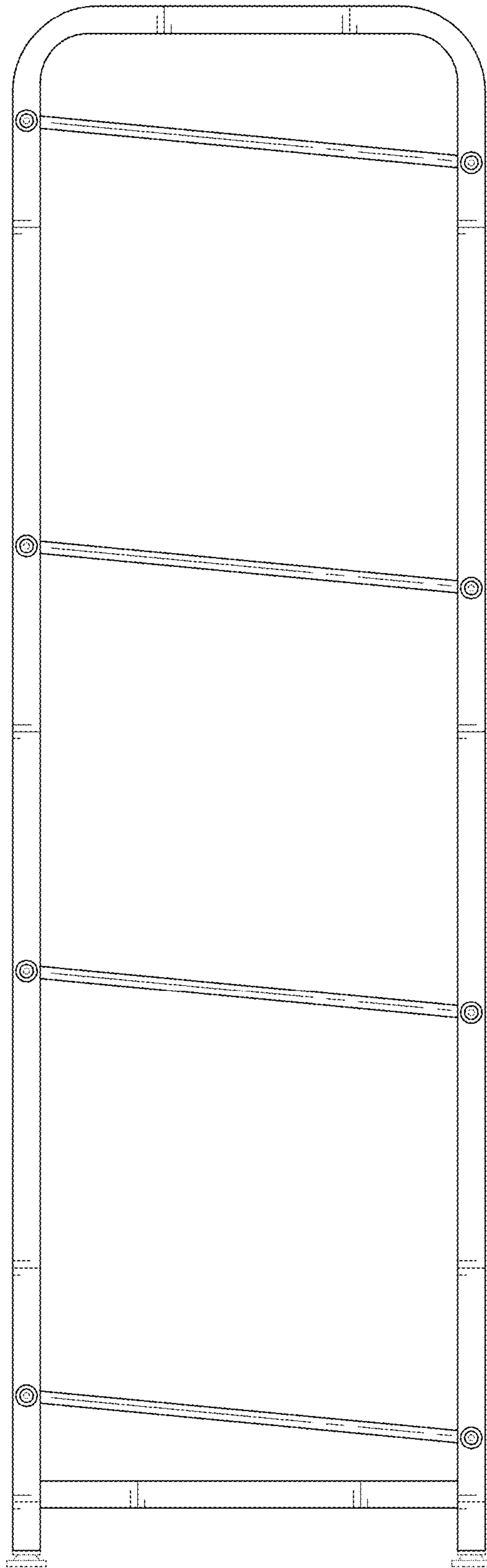


FIG. 5

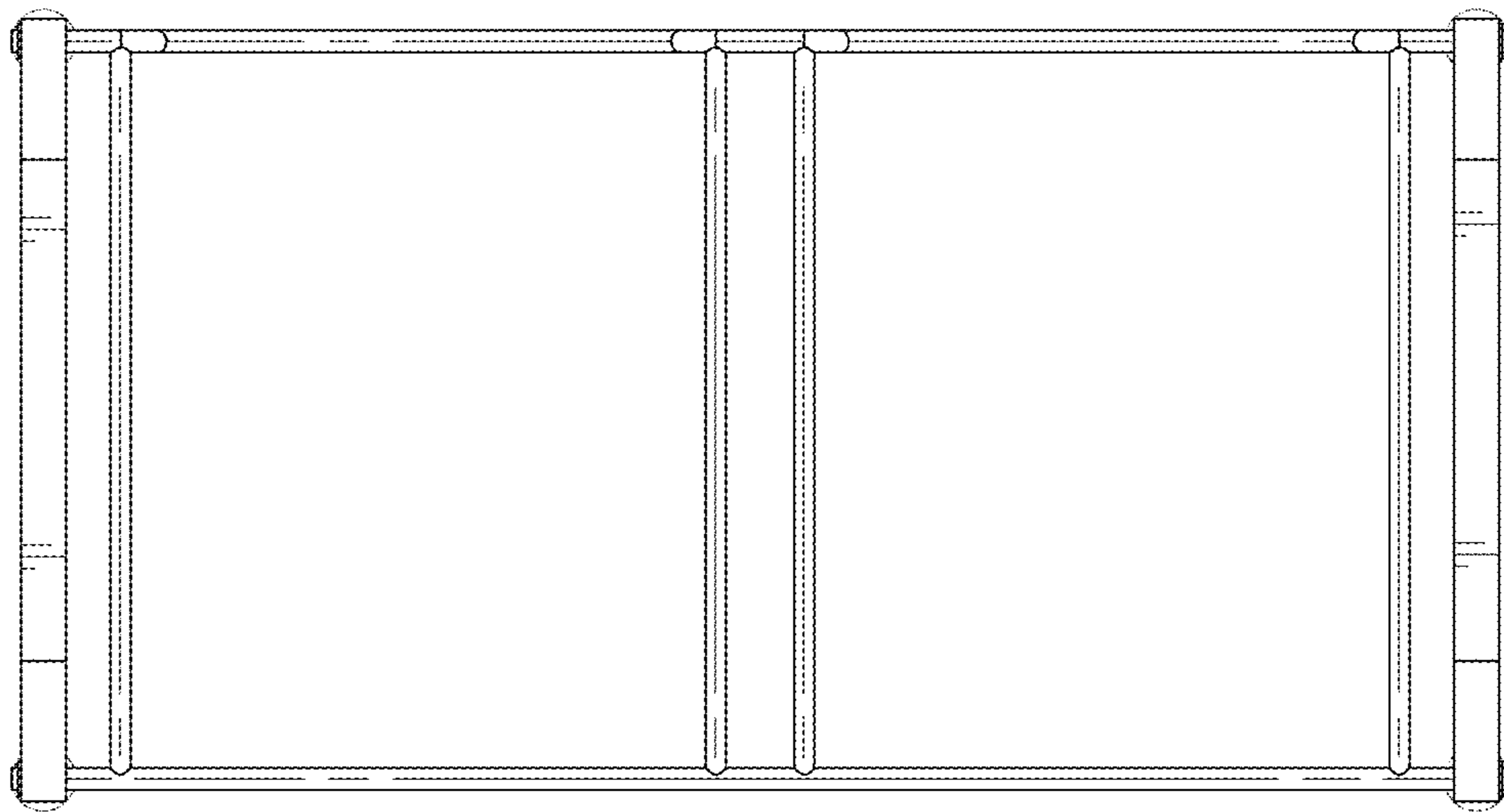


FIG. 6

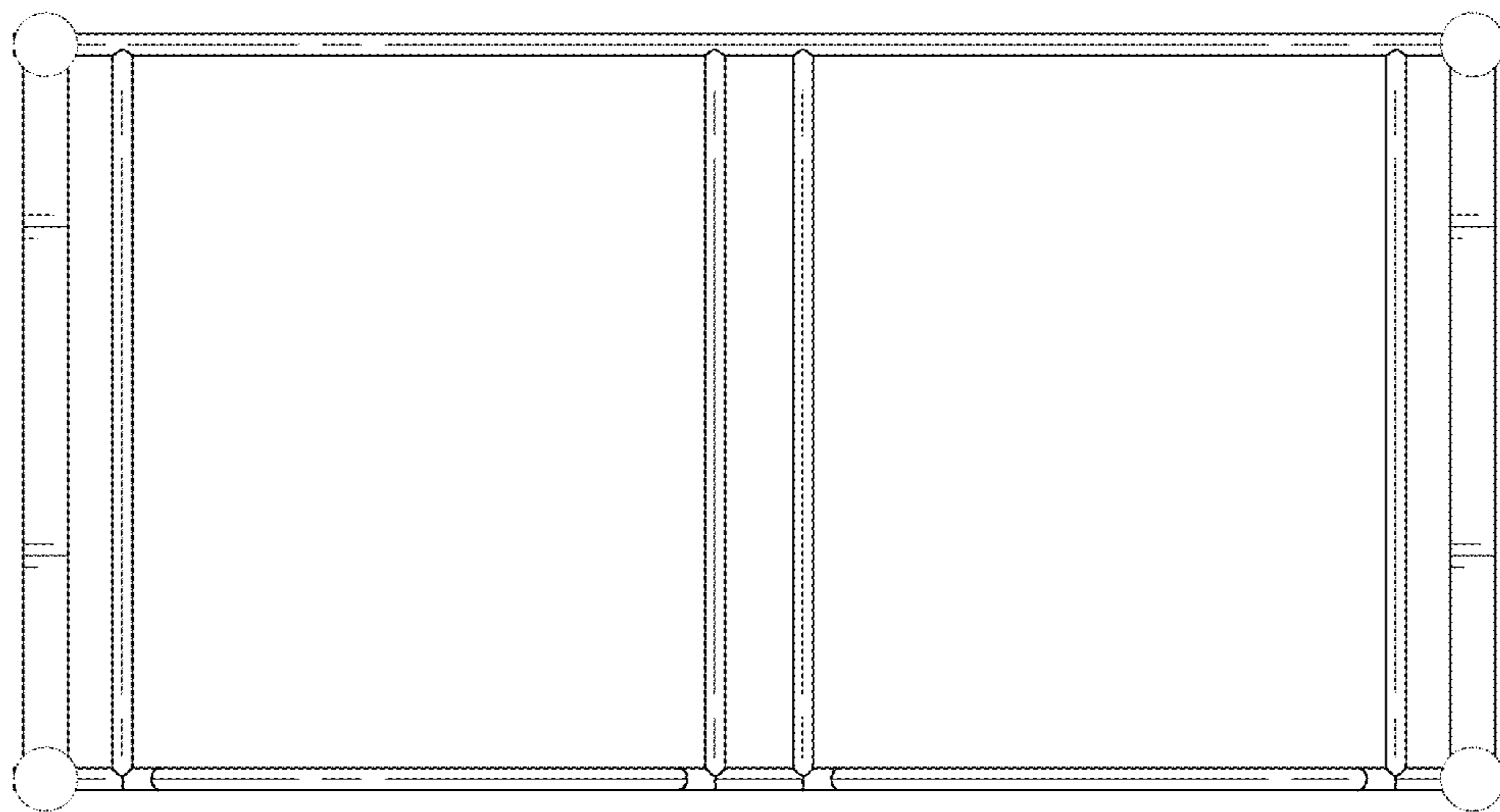


FIG. 7