



US00D956457S

(12) **United States Design Patent** (10) **Patent No.:** **US D956,457 S**
Klein et al. (45) **Date of Patent:** **** Jul. 5, 2022**

(54) **TWO-TIER STORAGE RACK**
(71) Applicant: **LYNK, INC.**, Lenexa, KS (US)
(72) Inventors: **Richard B. Klein**, Overland Park, KS (US); **Mark A. Etter**, Blue Springs, MO (US)
(73) Assignee: **Lynk, Inc.**, Lenexa, KS (US)
(*) Notice: This patent is subject to a terminal disclaimer.
(**) Term: **15 Years**
(21) Appl. No.: **29/717,823**
(22) Filed: **Dec. 19, 2019**
(51) **LOC (13) Cl.** **06-06**
(52) **U.S. Cl.**
USPC **D6/675.5**
(58) **Field of Classification Search**
USPC D3/304-315; D6/672, 675, 675.1, 675.2, D6/675.3, 683.1, 675.5; D7/600.1, 600.4
CPC A47J 47/16; A47F 5/13; A47F 7/00; A47F 5/01; A47F 5/0081; A47B 81/00; A47B 81/04
See application file for complete search history.

(56) **References Cited**
U.S. PATENT DOCUMENTS
D429,435 S 8/2000 Walters-Dowding et al.
D437,165 S 2/2001 Goodman et al.
D452,533 S 12/2001 Goodman et al.
(Continued)

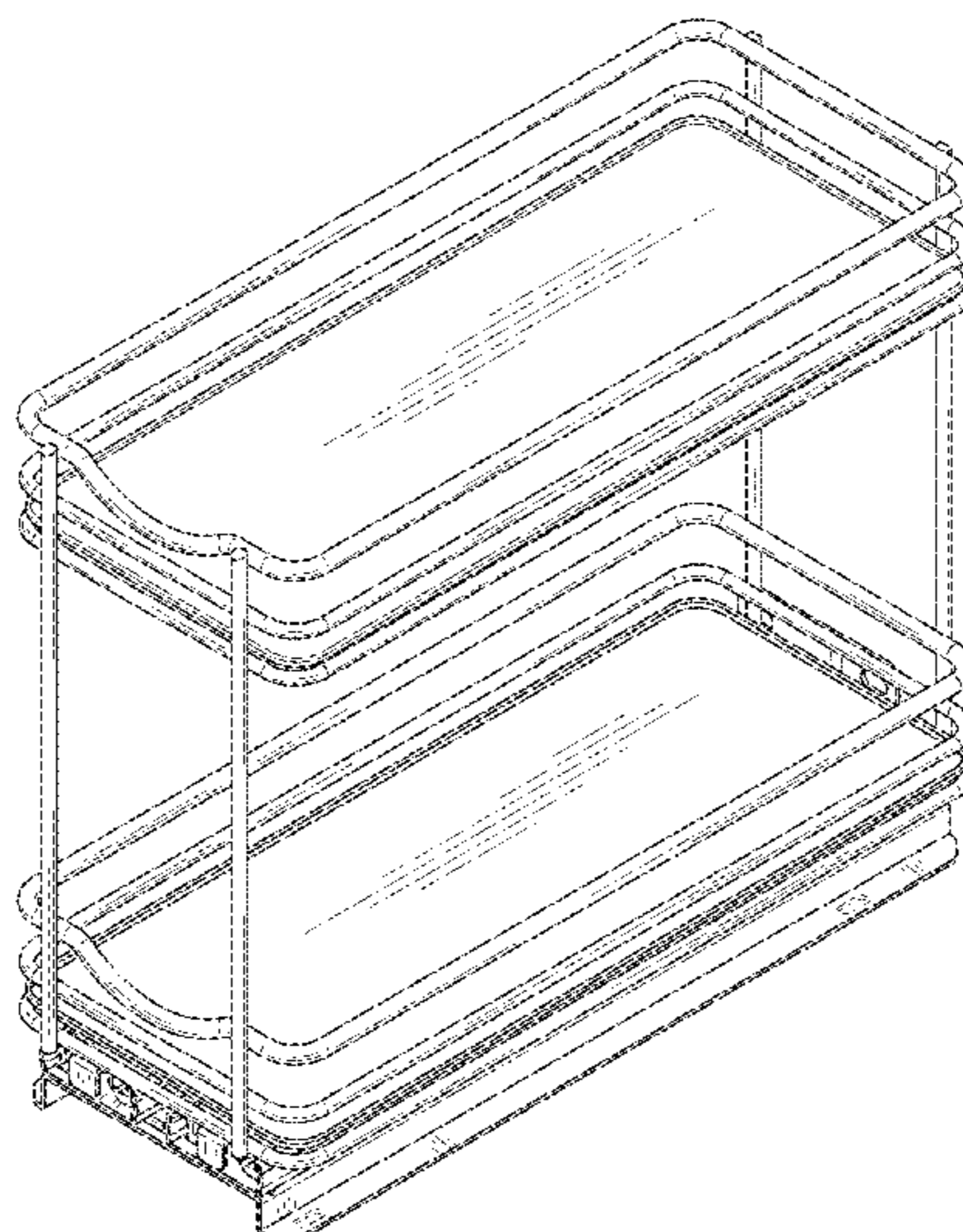
OTHER PUBLICATIONS
Photograph on Pinterest, photograph of two-tier, round lazy susan downloaded from the internet on Feb. 6, 2018 at <https://www.pinterest.com/pin/165014773825961621/> (1 pg).
(Continued)

Primary Examiner — Kelley A Donnelly
(74) *Attorney, Agent, or Firm* — Stinson LLP

(57) **CLAIM**
The ornamental design for two-tier storage rack, as shown and described.

DESCRIPTION
FIG. 1 is a front perspective view of the two-tier storage rack of the present invention showing the storage rack in the stored position;
FIG. 2 is a right side plan view of the two-tier storage rack of FIG. 1;
FIG. 3 is a left side plan view of the two-tier storage rack of FIG. 1;
FIG. 4 is a rear elevational view of the two-tier storage rack of FIG. 1;
FIG. 5 is a front elevational view of the two-tier storage rack of FIG. 1;
FIG. 6 is a top plan view of the two-tier storage rack of FIG. 1;
FIG. 7 is a bottom plan view of the two-tier storage rack of FIG. 1;
FIG. 8 is a front perspective view of the two-tier storage rack of the present invention showing the storage rack in the extended position;
FIG. 9 is a right side plan view of the two-tier storage rack of FIG. 9;
FIG. 10 is a left side plan view of the two-tier storage rack of FIG. 9;
FIG. 11 is a rear elevational view of the two-tier storage rack of FIG. 9;
FIG. 12 is a front elevational view of the two-tier storage rack of FIG. 9;
FIG. 13 is a top plan view of the two-tier storage rack of FIG. 9; and,
FIG. 14 is a bottom plan view of the two-tier storage rack of FIG. 9.
The dashed lines in the figures illustrate unclaimed subject matter and form no part of the claimed design.

1 Claim, 14 Drawing Sheets



(56)

References Cited

U.S. PATENT DOCUMENTS

D471,381 S * 3/2003 Yamaguchi D6/675.2
 D547,094 S 7/2007 Klein et al.
 D556,475 S 12/2007 Butler et al.
 D556,476 S * 12/2007 Butler D6/675.2
 D568,077 S 5/2008 Klein et al.
 D568,635 S * 5/2008 Klein D6/675.2
 D568,657 S 5/2008 Snider
 D575,087 S 8/2008 Ghiorghie
 D584,056 S 1/2009 Ghiorghie
 D588,839 S 3/2009 Klein et al.
 D589,729 S 4/2009 Klein et al.
 D589,730 S 4/2009 Klein et al.
 D590,195 S 4/2009 Klein et al.
 7,810,890 B2 10/2010 Klein et al.
 D627,969 S 11/2010 Klein et al.
 D628,387 S 12/2010 Klein et al.
 D628,388 S 12/2010 Klein et al.
 D650,202 S 12/2011 Klein et al.
 D650,203 S 12/2011 Klein et al.
 D675,849 S 2/2013 Tawil
 D699,987 S 2/2014 Angvall
 D739,681 S * 9/2015 Bee D7/600.4
 D747,629 S 1/2016 Goodman et al.
 D752,906 S * 4/2016 Gunderson D6/675.1
 D753,939 S 4/2016 Tsai
 D756,177 S 5/2016 Tsai
 D761,043 S * 7/2016 Snider D6/675.2
 D769,074 S * 10/2016 Tsai D7/600.4
 D772,016 S 11/2016 Tsai
 D781,621 S 3/2017 Nava
 D785,979 S * 5/2017 Snider D6/675.1
 D876,169 S * 2/2020 Klein D7/600.4
 D898,487 S * 10/2020 Wilson D6/675.2
 D914,409 S * 3/2021 Xu D6/675.2
 D915,148 S * 4/2021 Li D7/600.4
 D923,337 S * 6/2021 Wei D3/306
 D923,369 S * 6/2021 Su D6/675.2
 D923,422 S * 6/2021 Xu D7/600.4
 D925,990 S * 7/2021 Yan D7/600.4
 2006/0283817 A1 12/2006 Yang et al.

OTHER PUBLICATIONS

Website Advertisement, Amazon.com, “HiCollie Makeup/Cosmetic organizer Equipped 360 Rotating/Revolving . . .”, downloaded from the internet on Feb. 6, 2018 at https://www.amazon.com/HiCollie-Cosmetic-Organizer-Equipped-Revolving/dp/B01ANESL9Y/ref=sr_1_37?ie=UTF8&qid=1494277185&sr=8-37&keywords=kitchen+carousel+organizer (7 pgs).
 Website Advertisement, Amazon.com, “YouCopia Crazy Susan Cabinet Turntable Organizer with Backstop”, downloaded from the internet on Feb. 6, 2018 https://www.amazon.com/YouCopia-Crazy-11-Inch-Turntable-Backstop/dp/B01G7C16ZW/ref=sr_1_11?ie=UTF8&qid=1494276924&sr=8-11&keywords=kitchen+carousel (9 pgs).
 Website Advertisement, Amazon.com, “Romanoff 21” Spintray, Clear”, downloaded from the internet on Feb. 6, 2018 at https://www.amazon.com/s/ref=nb_sb_ss_i_1_21?url=search-alias%3Daps&field-keywords=romanoff+21+spintray&prefix=Romanoff+21%22+Spintray%2Caps%2C172&crd=1KZ59Y6YXTZSW&rh=i%3Aaps%2Ck%3Aromanoff+21+spintray (3 pgs).
 Website Advertisement, Bed Bath & Beyond, “Copco Non-Skid Cabinet Lazy Susan”, downloaded from the internet on Feb. 6, 2018 at <https://www.bedbathandbeyond.com/store/product/copco-non-skid-cabinet-turntables/100703?Keyword=copco+turntable> (2 pgs).
 Website Advertisement, Bed Bath & Beyond, “Stainless Steel Two-Tier Turntable”, downloaded from the internet on Feb. 6, 2018 at <https://www.bedbathandbeyond.com/store/product/stainless-steel-two-tier-turntable/1012981473> (2 pgs).
 Website Advertisement, Bed Bath & Beyond, “RSVP Endurance® Single Turntable”, downloaded from the internet on Feb. 6, 2018 at

<https://www.bedbathandbeyond.com/store/product/rsvpdurance-reg-single-turntable/1045864070> (2 pgs).
 Website Advertisement, Bed Bath & Beyond, “InterDesign® Pantry/Cabinet Linus Lazy Susan Turntable”, downloaded from the internet on Feb. 6, 2018 at <https://www.bedbathandbeyond.com/store/product/interdesign-reg-pantry-cabinet-linus-lazysusan-turntable/3283259> (2 pgs).
 Website Advertisement, Bed Bath & Beyond, “16-Inch Lazy Susan”, downloaded from the internet on Feb. 6, 2018 at <https://www.bedbathandbeyond.com/store/product/16-inch-lazysusan/1017815873> (2 pgs).
 Website Advertisement, Lee Vally & Veritas, “Pull-Out Corner Carousel”, downloaded from the internet on Feb. 6, 2018 at <http://www.leevalley.com/us/wood/page.aspx?p=729298cat+3,43722,43723&ap=1> (1 pg).
 Photograph, Buller Ltd. Co. UK, photo of wire organizational basket downloaded from the internet on Feb. 6, 2018 at <http://www.bullerltd.co.uk/shopimages/products/normal/2245.jpg> (1 pg).
 Website Advertisement, Amazon.com, “Rev-A-Shelf 3-Inch Base Cabinet Filler Pullout Kitchen Wooden Space Rack”, downloaded from the internet on Jun. 26, 2020 at https://www.amazon.com/Rev-Shelf-Pullout-Fillers-Natural/dp/B01MQUN5E9/ref=sr_1_1?dchild=1&keywords=rev-a-shelf+3-inch+base+cabinet+filler+pullout&qid=1593182759&sr=8-1 (12 pgs).
 Website Advertisement, Amazon.com, “NEX Spice Rack Organizer for Cabinet, 3 Tier 30-Bottle Spice Drawer Storage Shelf”, downloaded from the internet on Jun. 26, 2020 at https://www.amazon.com/Organizer-Storage-Kitchen-Cabinet-Counter/dp/B07XPN66FM/ref=sr_1_1?dchild=1&keywords=nex+spice+rack+organizer+for+cabinet%2C+3+tier+30-bottle+spice+drawer&qid=1593182938&sr=8-1 (9 pgs).
 Website Advertisement, Amazon.com, “SBS 2 Tier 4 Drawer Spice, Seasoning and Herb, Sliding Organizer Rack”, downloaded from the internet on Jun. 26, 2020 at https://www.amazon.com/Seasoning-Sliding-Organizer-Cupboards-Cabinets/dp/B081ZHJTFH/ref=sr_1_8?dchild=1&keywords=spice+pullout&qid=1593124521&sr=8-8 (5 pgs).
 Website Advertisement, Amazon.com, “Simple Trending Stackable 2-Tier Under Sink Cabinet Organizer with Sliding Storage Drawer”, downloaded from the internet on Jun. 26, 2020 at https://www.amazon.com/Simple-Trending-Stackable-Cabinet-Organizer/dp/B07Y9ZVXTD/ref=sr_1_1?dchild=1&keywords=simple+trending+stackable+2-tier+under+sink+cabinet+organizer+with+sliding&qid=1593183357&sr=8-1 (8 pgs).
 Website Advertisement, Amazon.com, “NEX Spice Rack Organizer for Cabinet, 3 Tier 18-Bottle Spice Drawer”, downloaded from the internet on Jun. 26, 2020 at https://www.amazon.com/NEX-Organizer-Cabinet-18-Bottle-Countertop/dp/B0827LS13W/ref=sr_1_1?dchild=1&keywords=NEX%2BSpice%2BRack%2BOrganizer%2Bfor%2BCabinet%2C%2B3%2BTier%2B18-Bottle%2BSpice%2BDrawer&qid=1593183542&sr=8-1&th=1 (12 pgs).
 Website Advertisement, Amazon.com, “Mecete Slide Out Spice Rack Cabinet Organizer Professional Roll Out Organizer”, downloaded from the internet on Jun. 26, 2020 at https://www.amazon.com/Mecete-Organizer-Professional-Organizers-Inches-One/dp/B0TW6G5GH/ref=sr_1_1?dchild=1&keywords=Mecete+Slide+Ou+t+Spice+Rack+Cabinet+Organizer+Professional+Roll+Out&qid=1593183723&sr=8-1 (7 pgs).
 Website Advertisement, Amazon.com, “Simple Houseware 2 Tier Sliding Cabinet Basket Organizer Drawer”, downloaded from the internet on Jun. 26, 2020 at https://www.amazon.com/Simple-Houseware-Sliding-Cabinet-Organizer/dp/B01N6UE7OF/ref=sr_1_1?crd=73R9ETUJY302&dchild=1&keywords=simple%2Bhouseware%2B2%2Btier%2Bsliding%2Bcabinet%2Bbasket%2Borganizer%2Bdrawer&qid=1593184196&prefix=simple%2Bhouseware%2B2%2Btier%2Bsliding%2Bcabinet%2Bbasket%2B%2Caps%2C208&sr=8-1&th=1 (10 pgs).
 Website Advertisement, Amazon.com, “Simple Houseware Stackable Under Sink Cabinet Sliding Basket Organizer Drawer”, downloaded from the internet on Jun. 26, 2020 at https://www.amazon.com/SimpleHouseware-Stackable-Cabinet-Sliding-Organizer/dp/B07Q3YTT5C/ref=sr_1_1?crd=3SX8GSIO1148W&dchild=1&keywords=simple%2Bhouseware%2Bstackable%2Bunder%2Bsink%2Borganizer

(56)

References Cited

OTHER PUBLICATIONS

2Bcabinet%2Bsliding%2Bbasket&qid=1593184321&sprefix=simple%2Bhouseware%2Bstackable%2Bunder%2Bs%2Caps%2C172&sr=8-1&th=1 (7 pgs).

Website Advertisement, Amazon.com, “Vertical Spice—22x2x14 DC—Spice Rack—Narrow Space w/2 Drawers”, downloaded from the internet on Jun. 26, 2020 at https://www.amazon.com/Vertical-Spice-22x2x14-Drawers-Capacity/dp/B087L6ZHVD/ref=sr_1_1?dchild=1&keywords=vertical+spice++22x2x14+DC+spice+rack++narrow+space&qid=1593184521&sr=8-1 (6 pgs).

Website Advertisement, Amazon.com, “Vertical Spice—5x1x11 DC—Storage Organizer for Cabinets—Heavy Duty”, downloaded from the internet on Jun. 26, 2020 at https://www.amazon.com/Vertical-Spice-Organizer-Cabinets-Containers/dp/B00JTHPTT2/ref=sr_1_1?dchild=1&keywords=vertical+spice++5x1x11+dc++storage+organizer+for+cabinets&qid=1593184654&sr=8-1 (6 pgs).

Website Advertisement, Vertical Spice, “5x2x22 Storage Solution Drawer”, downloaded from the internet on Jun. 26, 2020 at <https://www.verticalspice.com/products.php?product=5x2x22-Storage-Solution-Drawer-%252d-Cream> (7 pgs).

Website Advertisement, Amazon.com, “Pull Out Sliding Shelf Spice Racks”, downloaded from the internet on Jun. 26, 2020 at https://www.amazon.com/Upperslide-Cabinet-Caddies-Expansion-SHIPPING/dp/B078W2K1TX/ref=sr_1_1?dchild=1&keywords=upperslide-cabinet-caddies-expansion&qid=1593184942&sr=8-1 (4 pgs).

* cited by examiner

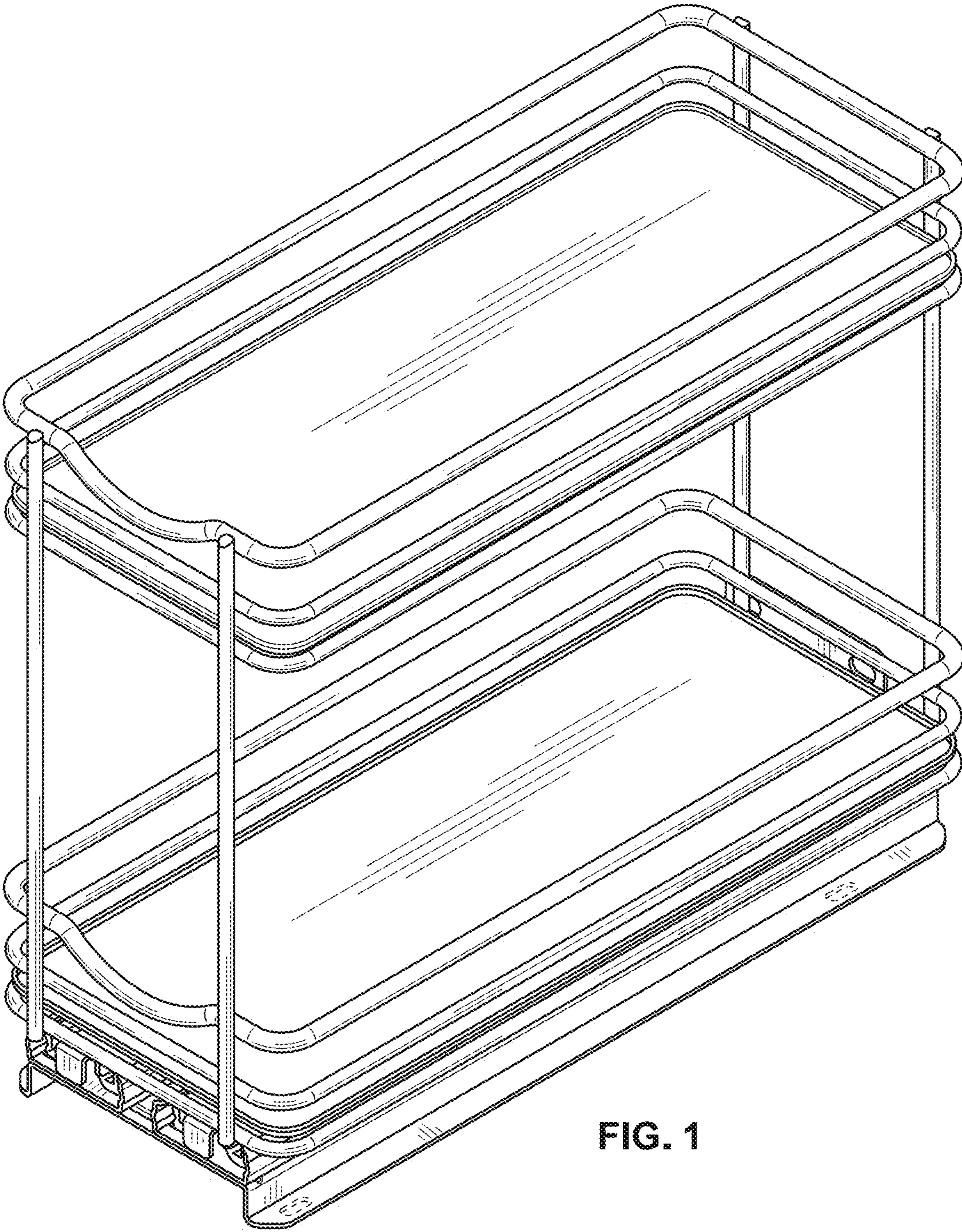


FIG. 1

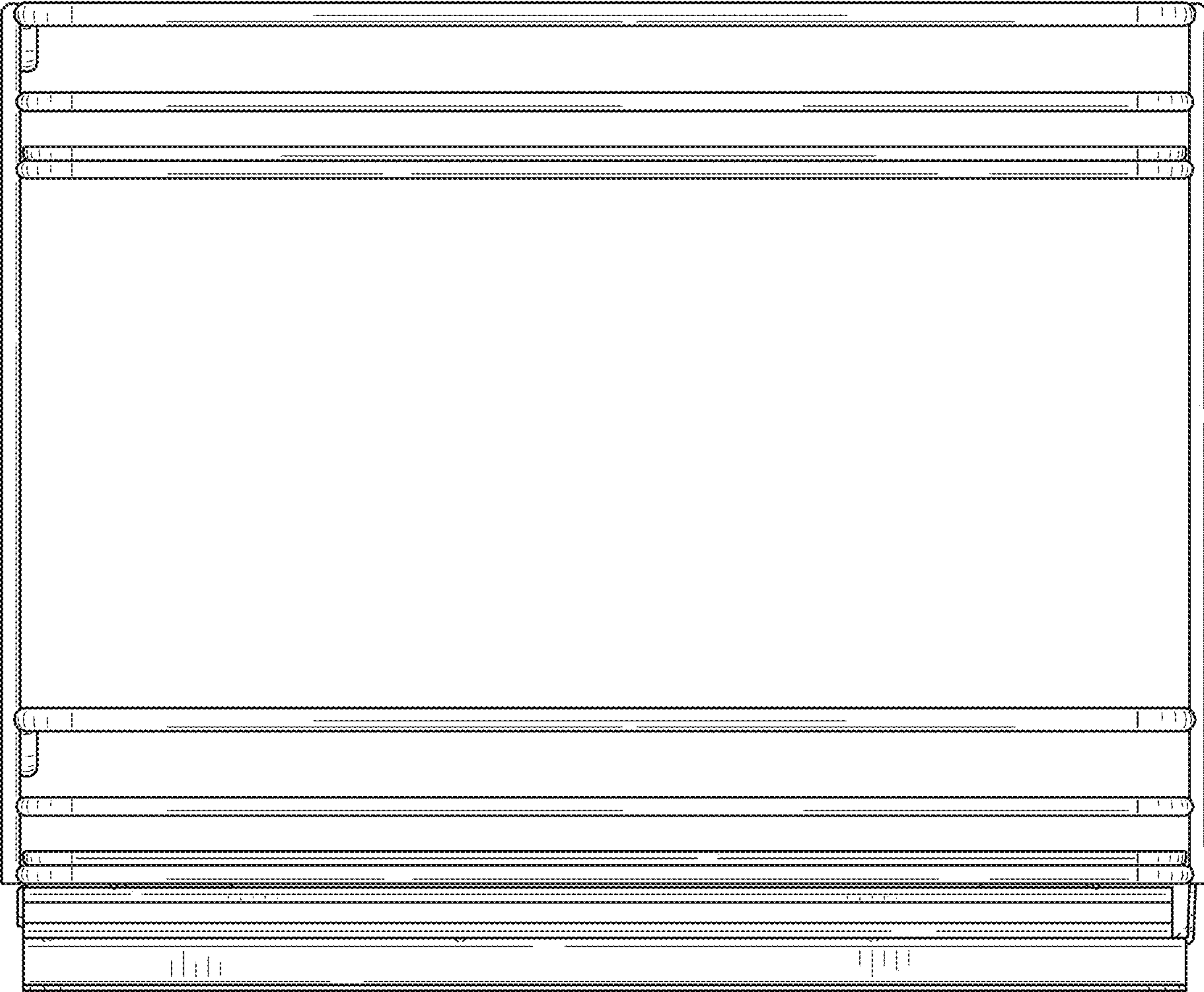


FIG. 2



FIG. 3

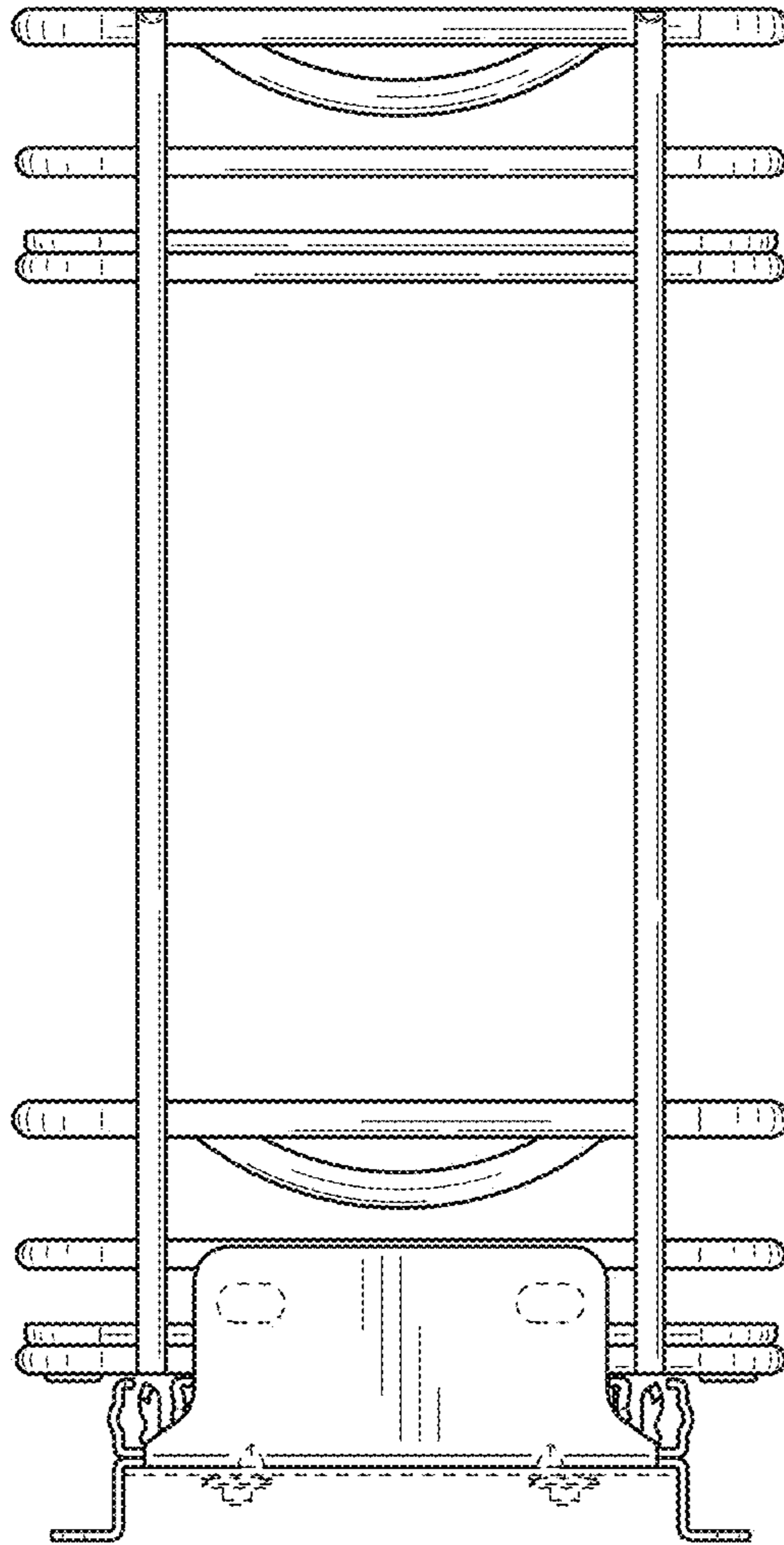


FIG. 4

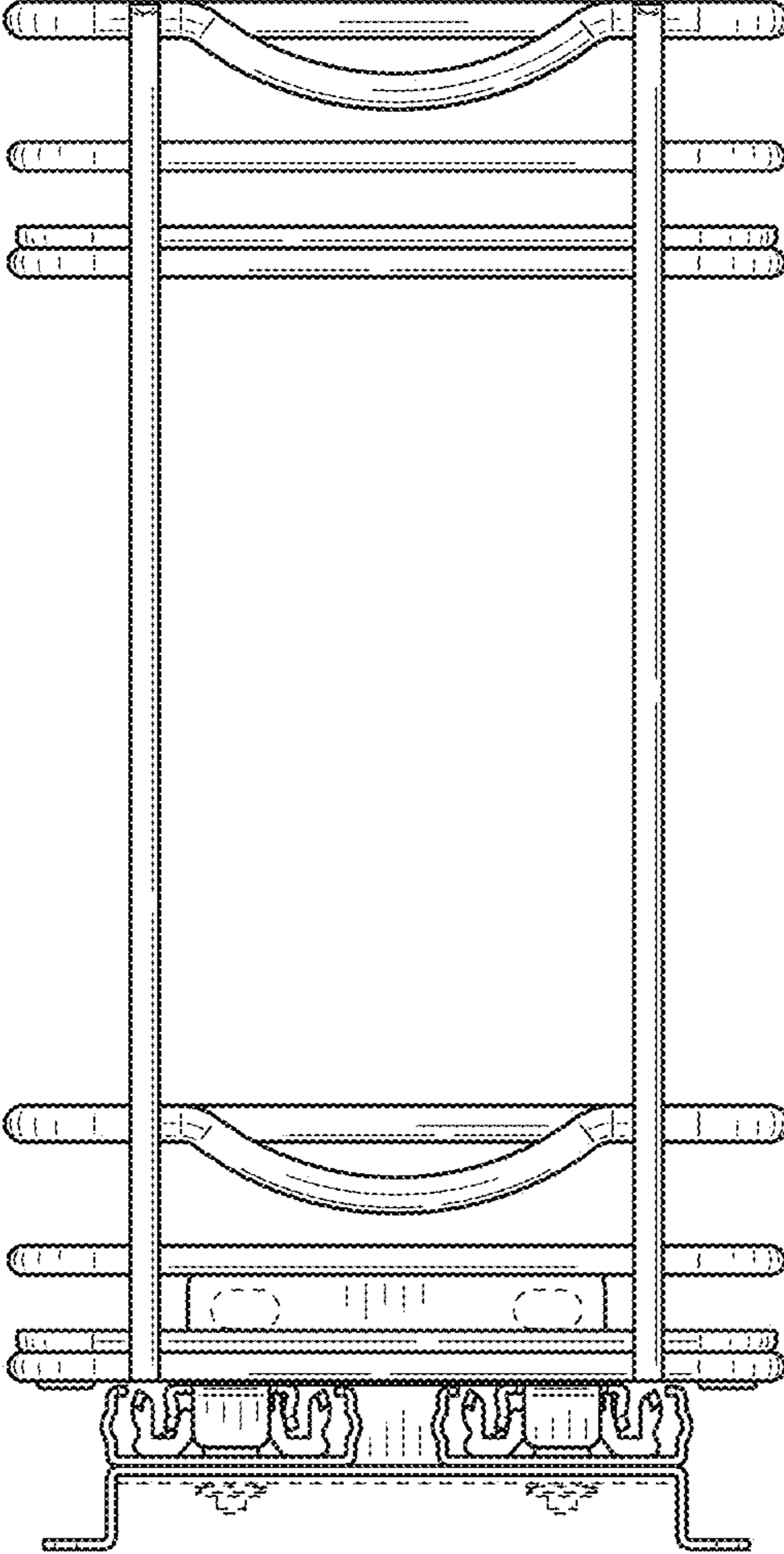


FIG. 5

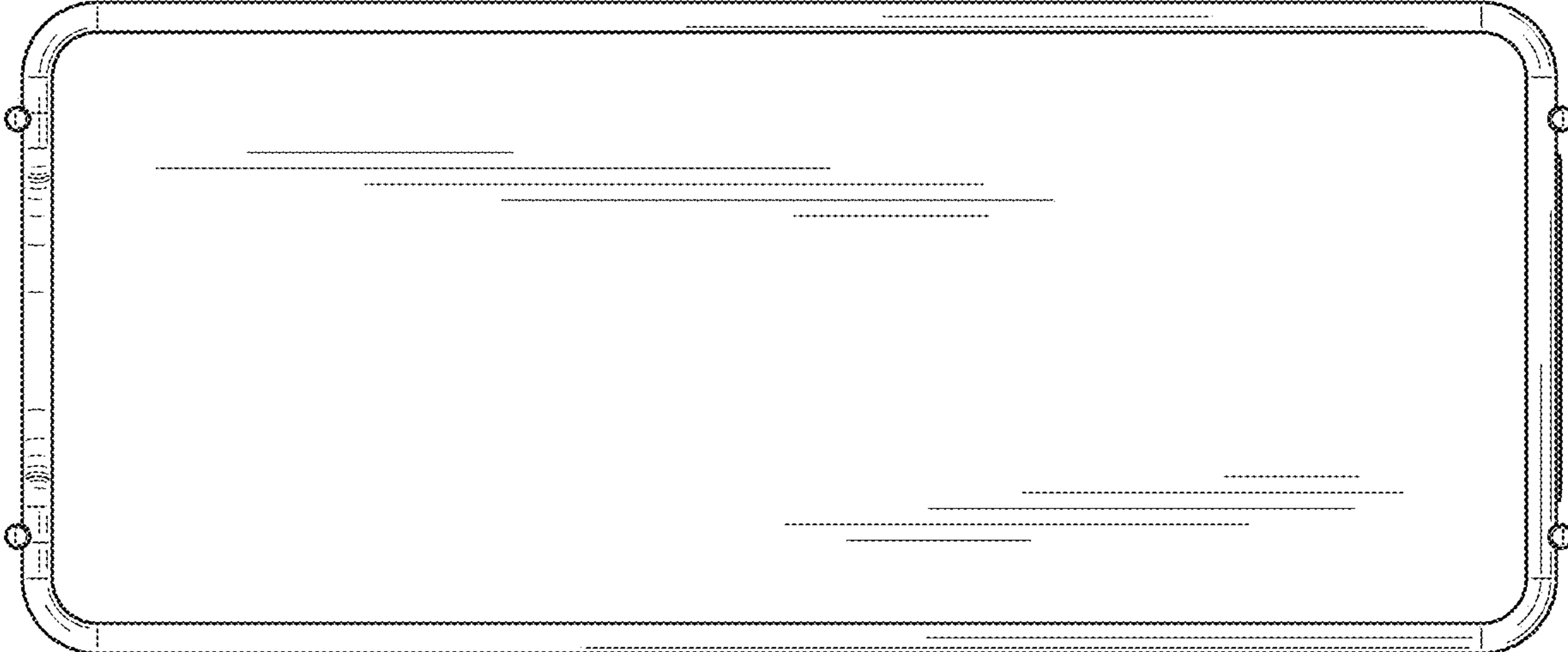


FIG. 6

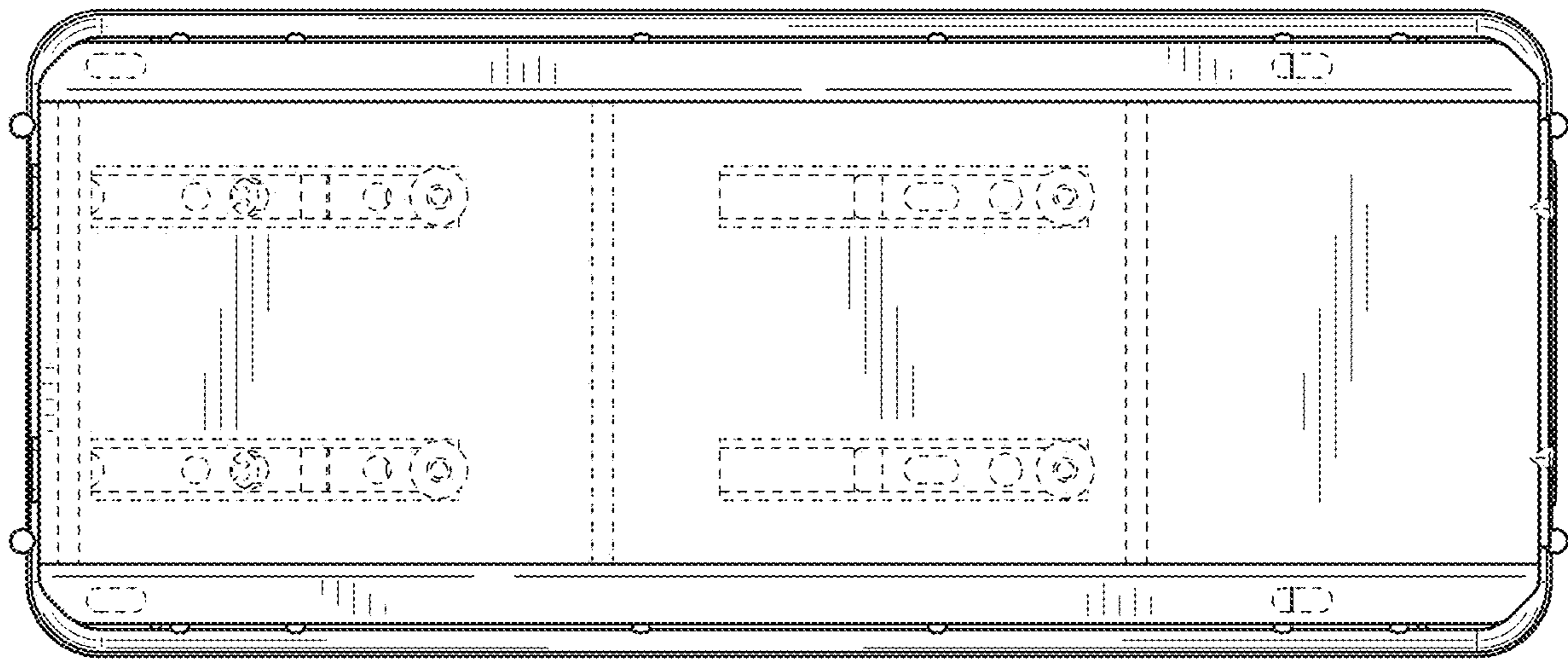


FIG. 7

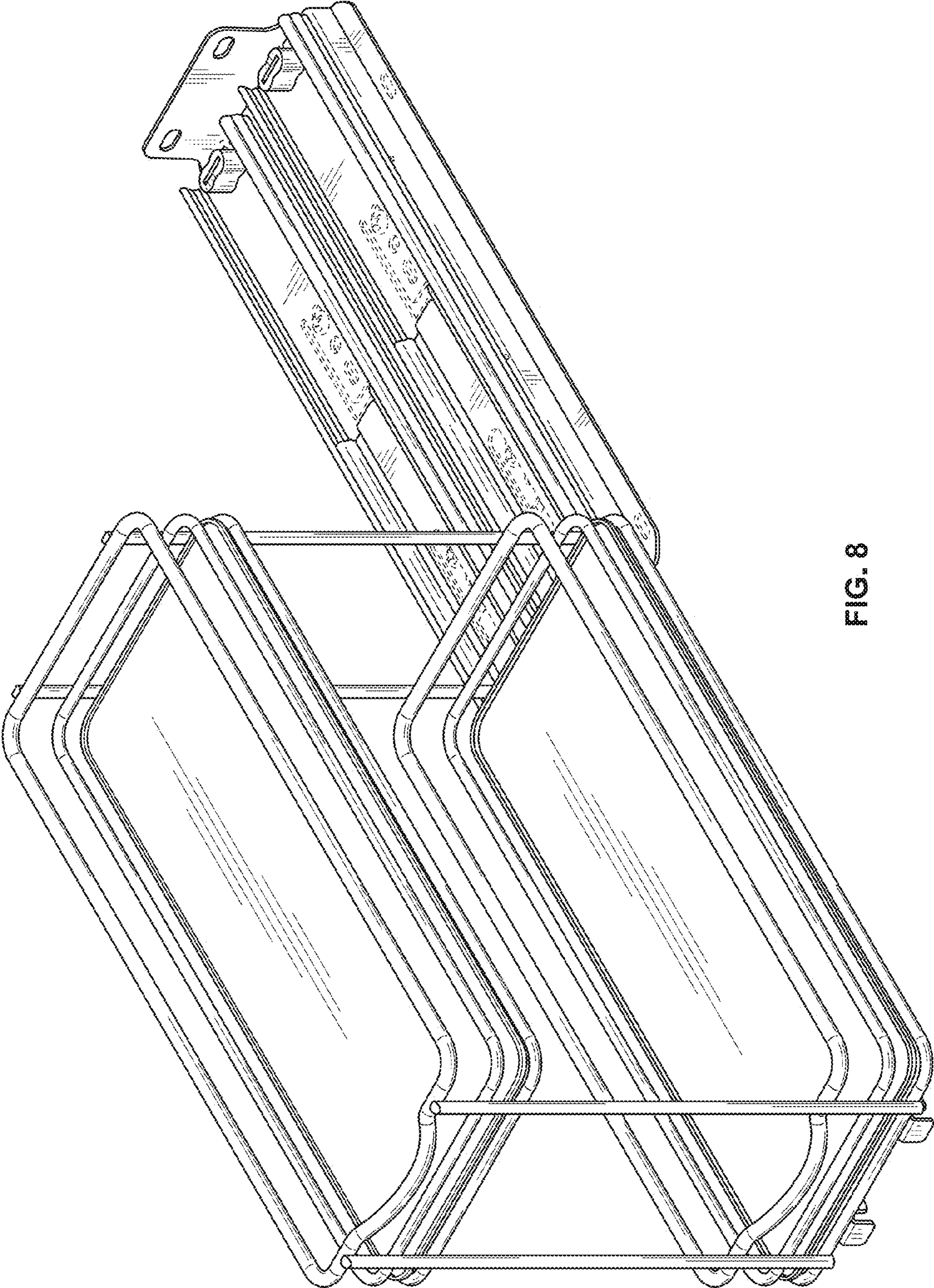


FIG. 8

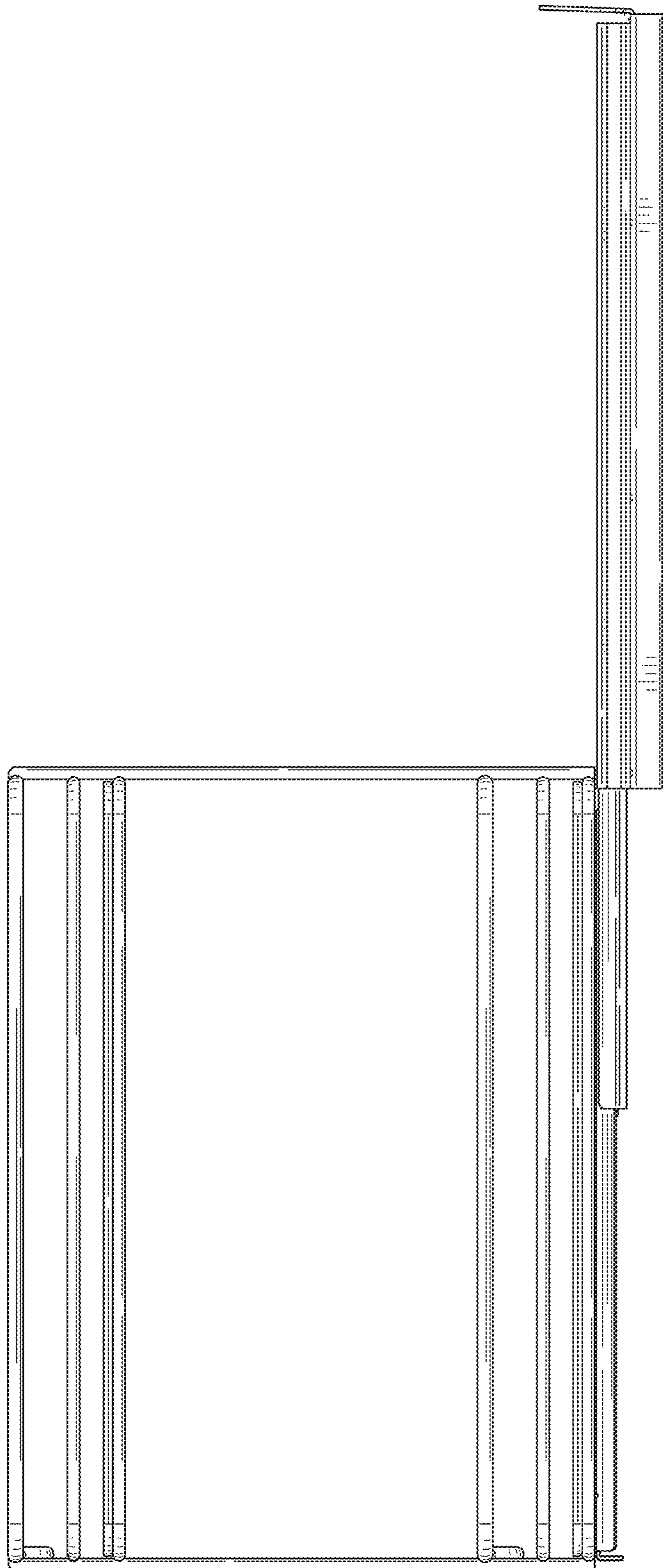


FIG. 9

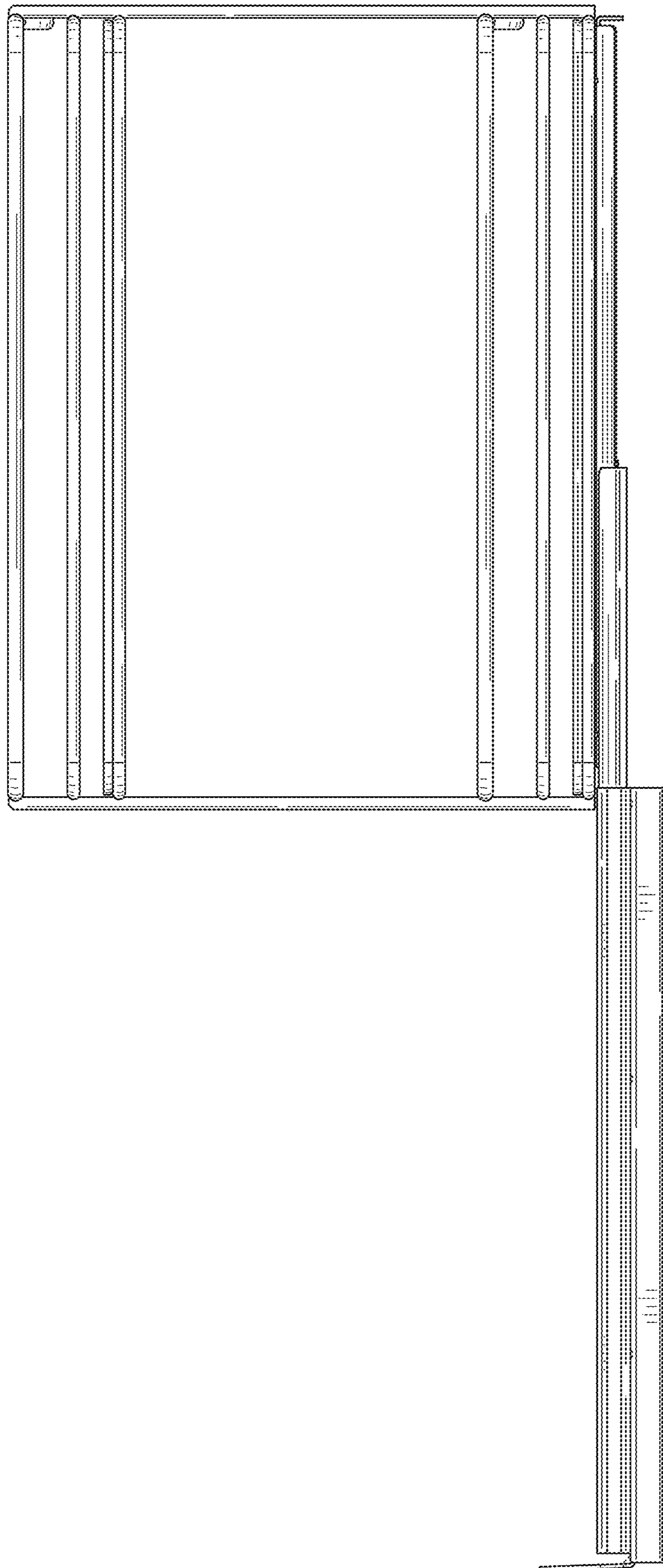


FIG. 10

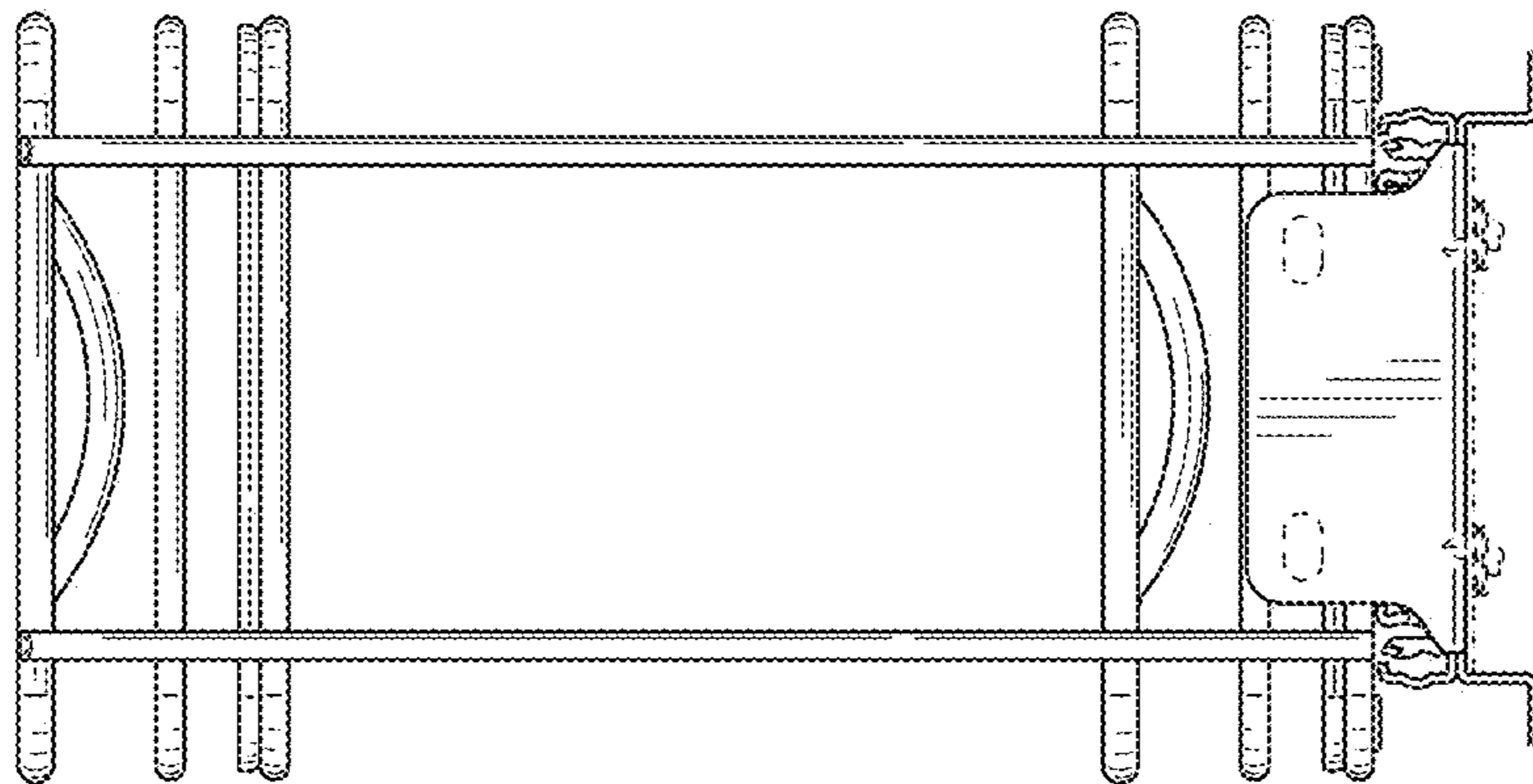


FIG. 11

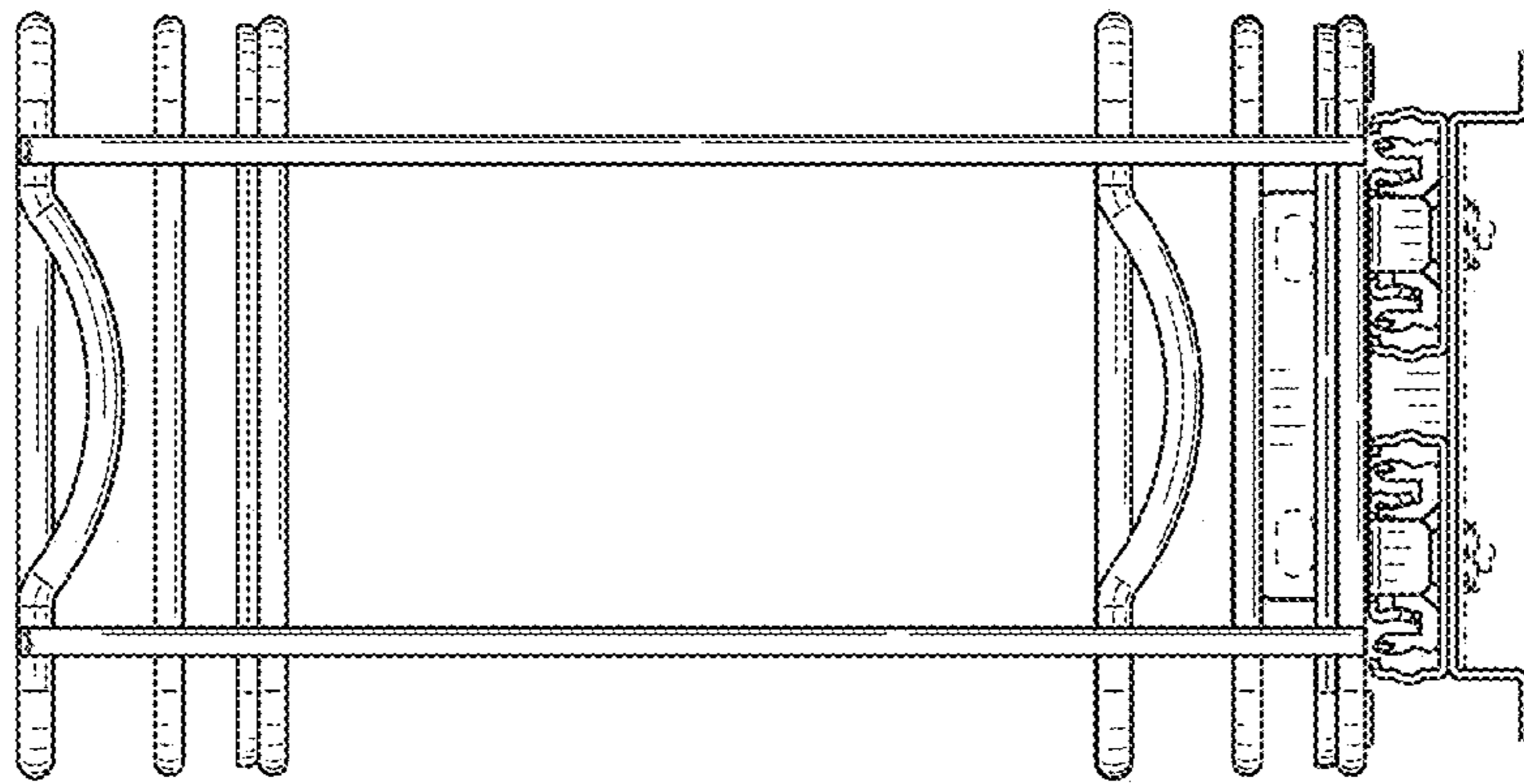


FIG. 12

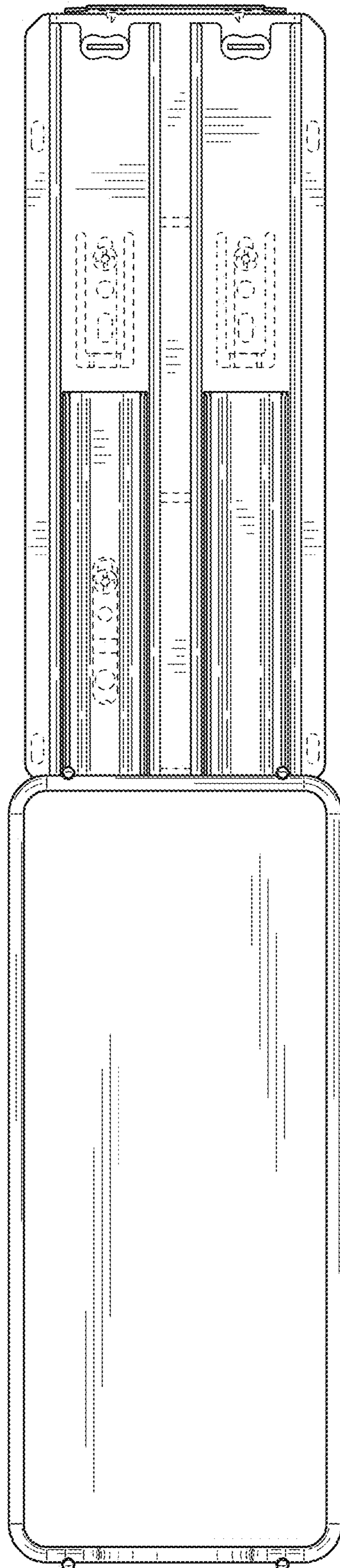


FIG. 13

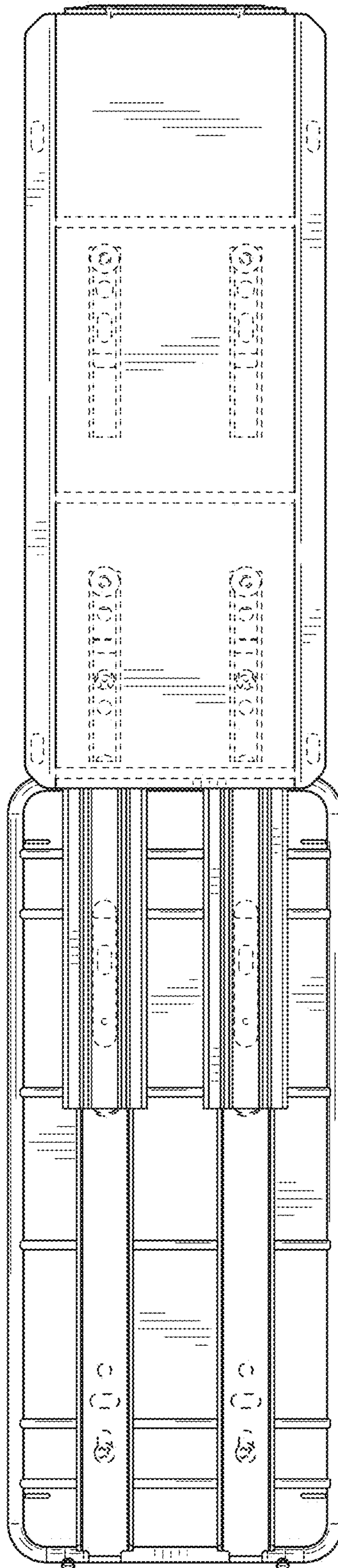


FIG. 14