



US00D956454S

(12) **United States Design Patent**  
**Smith et al.**

(10) **Patent No.:** **US D956,454 S**  
(45) **Date of Patent:** **\*\* Jul. 5, 2022**

(54) **ASSEMBLY FOR SECURING DISPLAY**

**DESCRIPTION**

- (71) Applicant: **ALL PLASTIC, INC.**, Rancho Cordova, CA (US)
- (72) Inventors: **William Thomas Smith**, Fair Oaks, CA (US); **Cheryl Ann Smith**, Fair Oaks, CA (US)
- (73) Assignee: **ALL PLASTIC, INC.**, Rancho Cordova, CA (US)
- (\*\*) Term: **15 Years**
- (21) Appl. No.: **29/664,598**
- (22) Filed: **Sep. 26, 2018**
- (51) **LOC (13) Cl.** ..... **06-04**
- (52) **U.S. Cl.**  
USPC ..... **D6/672**
- (58) **Field of Classification Search**  
USPC ..... D6/672, 673, 675, 680, 680.2, 682, D6/682.3, 682.4; D8/330; D14/432; D20/19

FIG. 1 is a perspective view of an assembly for securing display of indefinite length, in which displayed articles are in a resting position;  
 FIG. 2 is a front view of the assembly for securing display shown in FIG. 1, in which the displayed articles are in the resting position;  
 FIG. 3 is a front view of the assembly for securing display shown in FIG. 1, in which one of the displayed articles is in a raised position;  
 FIG. 4 is a left side view of the assembly for securing display shown in FIG. 1, in which the displayed articles are in the resting position;  
 FIG. 5 is a left side view of the Assembly for securing display shown in FIG. 1, in which one of the displayed articles is in the raised position;  
 FIG. 6 is a right side view of the assembly for securing display shown in FIG. 1, in which the displayed articles are in the resting position;  
 FIG. 7 is a right side view of the assembly for securing display shown in FIG. 1, in which one of the displayed articles is in the raised position;  
 FIG. 8 is a rear view of the assembly for securing display shown in FIG. 1, in which the displayed articles are in the resting position;  
 FIG. 9 is a rear view of the assembly for securing display shown in FIG. 1, in which one of the displayed articles is in the raised position;  
 FIG. 10 is a top plan view of the assembly for securing display shown in FIG. 1; and,  
 FIG. 11 is a bottom plan view of the assembly for securing display shown in FIG. 1.

(Continued)

(56) **References Cited**

**U.S. PATENT DOCUMENTS**

- 1,597,548 A 8/1926 Sharp
  - 1,628,108 A 5/1927 Brown
- (Continued)

**OTHER PUBLICATIONS**

Magazine AD for Bud Bar Displays™. Canna Con, Denver, Colorado, Jun. 1, 2015. 3 pages.  
 (Continued)

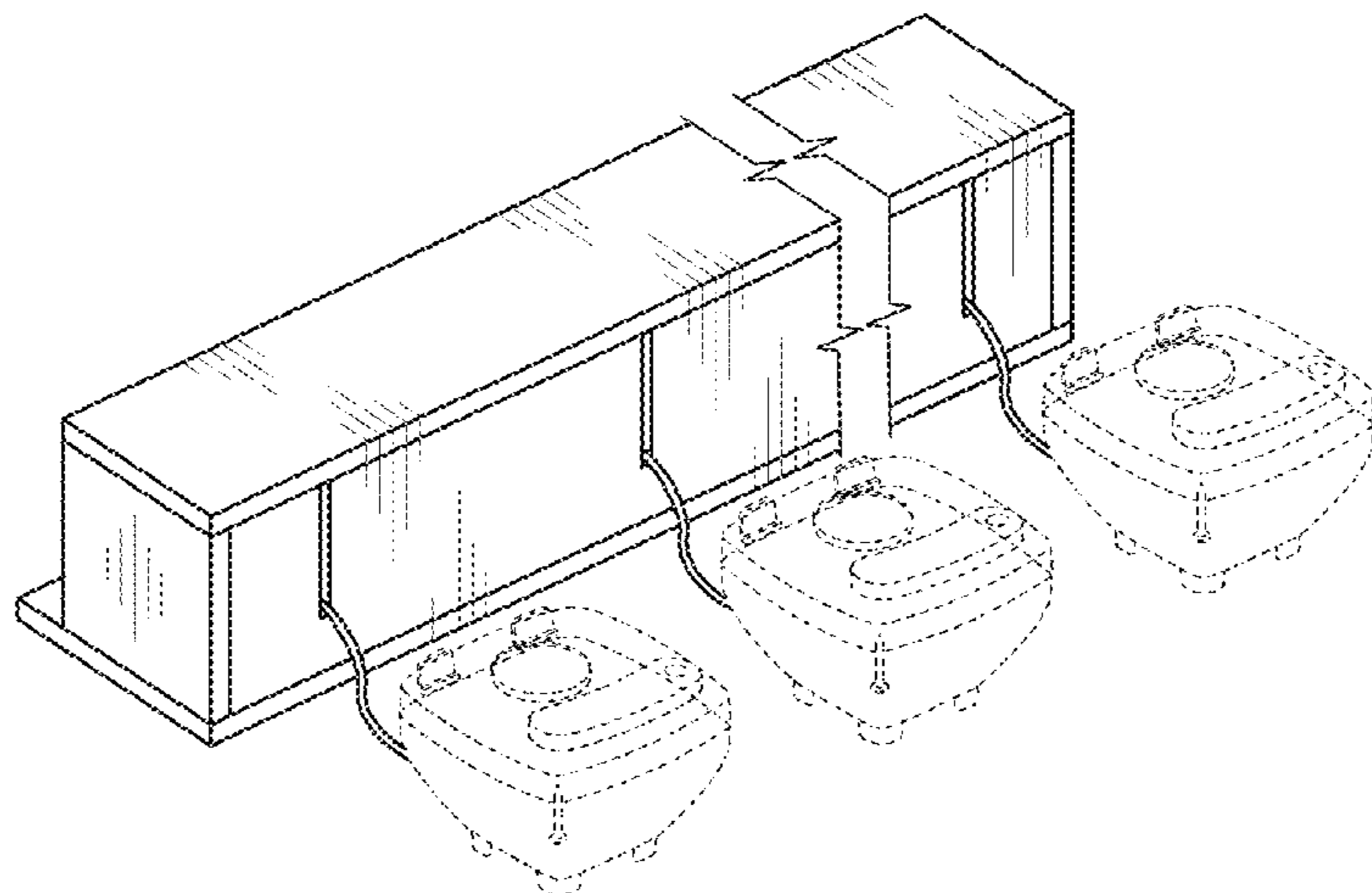
*Primary Examiner* — Steven J Czyz  
 (74) *Attorney, Agent, or Firm* — Ballard Spahr LLP

(57) **CLAIM**

We claim the ornamental design for an assembly for securing display, as shown and described.

The broken lines in the drawings are included for the purpose of illustrating subject matter which forms no part of the claimed design.  
 The assembly for securing display is shown in various drawings with a symbolic break in its length. The appearance of any portion of the article between the break lines forms no part of the claimed design.  
 Broken away portions of the assembly for securing display are shown in various drawings by an irregular line indicating the boundary of the claimed design and forms no part of the claim.

**1 Claim, 7 Drawing Sheets**





(58) **Field of Classification Search**  
 CPC ..... A47F 7/286; A47F 5/0081; A47F 5/08;  
 A47F 5/0861; A47F 7/024; A47F 7/285;  
 A47G 29/093  
 See application file for complete search history.

(56) **References Cited**

U.S. PATENT DOCUMENTS

1,628,330 A 5/1927 Peck et al.  
 1,646,702 A 10/1927 Moyer  
 1,743,520 A 1/1930 Baron  
 1,883,806 A 10/1932 Martin  
 D141,059 S 7/1944 Siegel  
 D141,727 S 6/1945 Toussaint  
 2,409,814 A 10/1946 Vargish  
 2,434,860 A 1/1948 Oxley  
 D149,460 S 4/1948 Tunstall  
 D158,699 S 5/1950 Wasilevich  
 3,086,658 A 4/1963 Palmer  
 3,127,597 A \* 3/1964 Lewin ..... G08B 13/1409  
 340/538  
 D205,123 S 6/1966 Giesecke  
 3,847,305 A 11/1974 Tobin  
 3,853,263 A 12/1974 Otsuka  
 D251,426 S 3/1979 Molyneux  
 D284,777 S 7/1986 Anthony  
 D319,150 S 8/1991 Biddlecom  
 D329,558 S 9/1992 Keown  
 D329,763 S 9/1992 Cuminale  
 D349,925 S \* 8/1994 Charron ..... D19/90  
 D357,603 S \* 4/1995 Wolff ..... D6/672  
 D362,123 S 9/1995 Johnston et al.  
 D367,560 S 3/1996 Kwan  
 D370,355 S 6/1996 Kenney  
 D372,131 S 7/1996 Perkins, Jr.  
 D393,104 S 3/1998 Wolff  
 D396,562 S 8/1998 Kenney  
 5,794,771 A 8/1998 Krawec et al.  
 D421,074 S 2/2000 Resich  
 D424,330 S 5/2000 DeWitt  
 D426,205 S \* 6/2000 Knoop ..... D19/91  
 6,132,123 A 10/2000 Gueret  
 D437,711 S \* 2/2001 Berg ..... D28/73  
 6,205,688 B1 3/2001 Grosser-Samuels  
 6,257,399 B1 \* 7/2001 Gursky, Sr. .... A47F 7/024  
 206/18  
 D457,011 S 5/2002 Wenner et al.  
 D473,721 S \* 4/2003 Chu ..... D6/314  
 D475,930 S 6/2003 Chang  
 D482,493 S 11/2003 Lillelund et al.  
 D499,890 S 12/2004 Peck  
 D500,640 S 1/2005 Lawson et al.  
 D502,338 S 3/2005 Zanghi et al.  
 D540,068 S \* 4/2007 Zhang ..... D6/672  
 D540,566 S \* 4/2007 Scholen ..... D6/672  
 D544,727 S 6/2007 Valdez  
 D581,681 S \* 12/2008 Goolrick ..... D6/314  
 D605,883 S \* 12/2009 Hayes ..... D6/691  
 D607,666 S 1/2010 Isbell  
 D615,776 S \* 5/2010 Bauchet ..... D6/675  
 D628,020 S 11/2010 Lim  
 D633,730 S \* 3/2011 Kimmet ..... D6/682.3  
 D643,231 S 8/2011 Huang  
 D646,904 S \* 10/2011 Feldstein ..... D6/310  
 D649,153 S \* 11/2011 Symons ..... D14/447  
 D649,594 S 11/2011 Yi et al.  
 D649,807 S \* 12/2011 Stoepker ..... D6/675  
 8,079,478 B2 \* 12/2011 Short ..... A47F 7/286  
 206/734  
 D676,852 S \* 2/2013 Lohman ..... D14/441  
 D682,045 S 5/2013 Myoung  
 D683,141 S \* 5/2013 Symons ..... D6/310  
 8,474,654 B2 \* 7/2013 Snow ..... B05B 11/0037  
 222/1  
 D690,137 S \* 9/2013 Kikkert ..... D6/672  
 D690,138 S \* 9/2013 Kikkert ..... D6/672

D693,607 S \* 11/2013 Johnson ..... D6/672  
 D695,845 S \* 12/2013 Philips ..... D21/397  
 D696,727 S \* 12/2013 Kim ..... D21/341  
 D698,641 S \* 2/2014 Theisen ..... D9/418  
 D722,794 S \* 2/2015 Luong ..... D6/673  
 D730,091 S \* 5/2015 Chan ..... D6/681  
 D740,373 S \* 10/2015 Martin ..... D21/397  
 D756,226 S \* 5/2016 In ..... D9/504  
 D758,847 S \* 6/2016 Stuart ..... D9/428  
 9,499,373 B1 \* 11/2016 Kim ..... B65H 75/4428  
 D782,853 S \* 4/2017 Foster ..... D6/682.3  
 D784,737 S 4/2017 Kroll  
 9,625,058 B2 \* 4/2017 Kim ..... G08B 13/1463  
 9,630,747 B2 \* 4/2017 Smith ..... B65D 51/24  
 D785,977 S 5/2017 Kroll  
 D786,668 S 5/2017 Cornaglia  
 D787,840 S \* 5/2017 Spigler ..... G08B 13/1409  
 D6/310  
 D789,348 S \* 6/2017 Kim ..... D14/253  
 RE46,460 E 7/2017 Kroll  
 9,700,155 B1 \* 7/2017 Theisen ..... A45D 40/0087  
 9,744,546 B2 \* 8/2017 Cvetan ..... B05B 9/047  
 9,747,765 B1 \* 8/2017 Berglund ..... E05B 73/0082  
 9,788,669 B1 \* 10/2017 Denby ..... E05B 73/0041  
 D806,450 S \* 1/2018 Seong ..... D6/672  
 D807,086 S \* 1/2018 Tio ..... D6/675  
 D812,939 S \* 3/2018 Modlin ..... D6/677  
 D812,946 S \* 3/2018 Chang ..... D6/707.19  
 D813,576 S \* 3/2018 Schwalbach ..... D6/677.4  
 D814,831 S 4/2018 Modlin  
 D824,702 S \* 8/2018 Tio ..... D6/675  
 D827,923 S 9/2018 Whetsel et al.  
 D830,744 S 10/2018 Kroll  
 D834,356 S \* 11/2018 Chapuis ..... D6/672  
 D838,525 S 1/2019 Guo  
 D842,627 S \* 3/2019 Siminoff ..... D6/672  
 D842,628 S \* 3/2019 Siminoff ..... D6/672  
 D843,139 S \* 3/2019 Burton ..... D6/672  
 D845,681 S \* 4/2019 Bestard ..... D6/672  
 D846,922 S \* 4/2019 Akana ..... D6/682.4  
 D850,165 S 6/2019 Eads et al.  
 10,323,440 B1 \* 6/2019 Kelsch ..... E05B 73/0064  
 D855,358 S \* 8/2019 Adler ..... D6/644  
 D856,045 S \* 8/2019 Schwalbach ..... D6/682  
 D856,046 S \* 8/2019 Akana ..... D6/682  
 10,384,834 B2 \* 8/2019 Smith ..... A47F 7/0071  
 D861,392 S \* 10/2019 Pedersen ..... D6/675  
 D865,413 S \* 11/2019 Chapuis ..... D6/675  
 D870,496 S \* 12/2019 Mesny-Deschamps ..... D6/673  
 D875,443 S \* 2/2020 Corbo ..... D6/675  
 D877,548 S \* 3/2020 Brugger ..... D6/675  
 D878,826 S \* 3/2020 Smith ..... D6/672  
 D878,827 S \* 3/2020 Smith ..... D6/672  
 D887,184 S \* 6/2020 Tsuchiyama ..... D6/675  
 D887,383 S 6/2020 Wang  
 10,687,619 B2 \* 6/2020 Abramov ..... A47B 73/00  
 D889,887 S \* 7/2020 DeJesus ..... D6/675  
 10,722,051 B2 \* 7/2020 Dietlin ..... A47F 11/06  
 D893,923 S \* 8/2020 Brugger ..... D6/675  
 D897,138 S \* 9/2020 Thain ..... D6/682.3  
 D898,490 S \* 10/2020 Schwalbach ..... D6/682  
 10,803,718 B2 \* 10/2020 Sankey ..... A47F 7/024  
 D900,511 S \* 11/2020 Feder ..... D6/672  
 D900,512 S \* 11/2020 Ouyang ..... D6/675  
 D900,514 S \* 11/2020 Li ..... D6/675  
 D901,948 S \* 11/2020 Burton ..... D6/675  
 D904,094 S \* 12/2020 Smith ..... E05B 73/0041  
 D6/707.19  
 D911,754 S \* 3/2021 Bestard ..... D6/672  
 D913,021 S \* 3/2021 Ouyang ..... D6/675  
 D914,405 S \* 3/2021 Denby ..... D6/672  
 D914,412 S 3/2021 Angeles  
 D917,936 S \* 5/2021 Brugger ..... D6/675  
 D917,937 S \* 5/2021 DeJesus ..... D6/675  
 D923,982 S \* 7/2021 Thain ..... D6/682.3  
 2007/0051826 A1 \* 3/2007 Schofield ..... A61L 9/042  
 239/60  
 2009/0161373 A1 \* 6/2009 Teng ..... A47B 13/12  
 362/382

(56)

**References Cited**

U.S. PATENT DOCUMENTS

2009/0275000 A1\* 11/2009 Jung ..... A61C 13/0006  
433/223  
2201/0028292 11/2010 Boies  
2011/0309928 A1\* 12/2011 Henson ..... G06F 1/1626  
340/539.1  
2013/0306516 A1\* 11/2013 Dougherty ..... A47F 5/11  
206/736  
2014/0106608 A1\* 4/2014 Howarth ..... A47F 7/0246  
439/531  
2014/0152441 A1\* 6/2014 Tinti ..... G08B 13/149  
340/568.2  
2014/0159898 A1\* 6/2014 Wheeler ..... G08B 13/1463  
340/568.2  
2015/0091729 A1\* 4/2015 Phillips ..... G08B 13/149  
340/568.2  
2016/0031605 A1\* 2/2016 Bean ..... B65D 51/16  
206/1.5  
2016/0223126 A1\* 8/2016 Mireles ..... F16G 13/00  
2018/0049563 A1\* 2/2018 Henson ..... H02J 50/12  
2018/0134447 A1 5/2018 Zimmer  
2018/0160828 A1 6/2018 Turner et al.  
2018/0213946 A1\* 8/2018 Vanos ..... A47F 5/005  
2018/0282011 A1 10/2018 Evans  
2018/0322748 A1\* 11/2018 Henson ..... G08B 13/1445

2020/0113353 A1 4/2020 Bigioni  
2020/0146422 A1 5/2020 Kamboj  
2021/0244201 A1\* 8/2021 Galant ..... E05B 73/0082

OTHER PUBLICATIONS

Magazine AD showing Bud Bar Displays™. Dope Magazine, Issue #7, Dec. 1, 2015. 2 pages.  
Magazine AD for Bud Bar Displays™. MG-Magazine.com, Feb. 1, 2016. 2 pages.  
Magazine AD for Bud Bar Displays™. Marijuana Business Magazine, vol. 2, Issue 4, Jul. 1, 2015. 2 pages.  
Magazine AD for Bud Bar Displays™. Marijuana Venture Magazine, Jun. 1, 2017. 3 pages.  
Website photo. Budtender. www.budbardisplays.com. Published Jan. 23, 2016.  
Website photo. Bud-Pod. www.budbardisplays.com. Published Jan. 23, 2016.  
Website photo. Budtender1. www.budbardisplays.com. Published Jul. 9, 2017.  
Website photo. Tether on Bud Pod3. www.budbardisplays.com. Published Jul. 9, 2017.  
Website photo. Jar Display Light Bar. www.budbardisplays.com. Approx. publication date: Oct. 5, 2011. 1 page.  
Website photo. Canna-Pod Jar Bar Display. www.budbardisplays.com. Approx. publication date: Sep. 19, 2017. 1 page.

\* cited by examiner



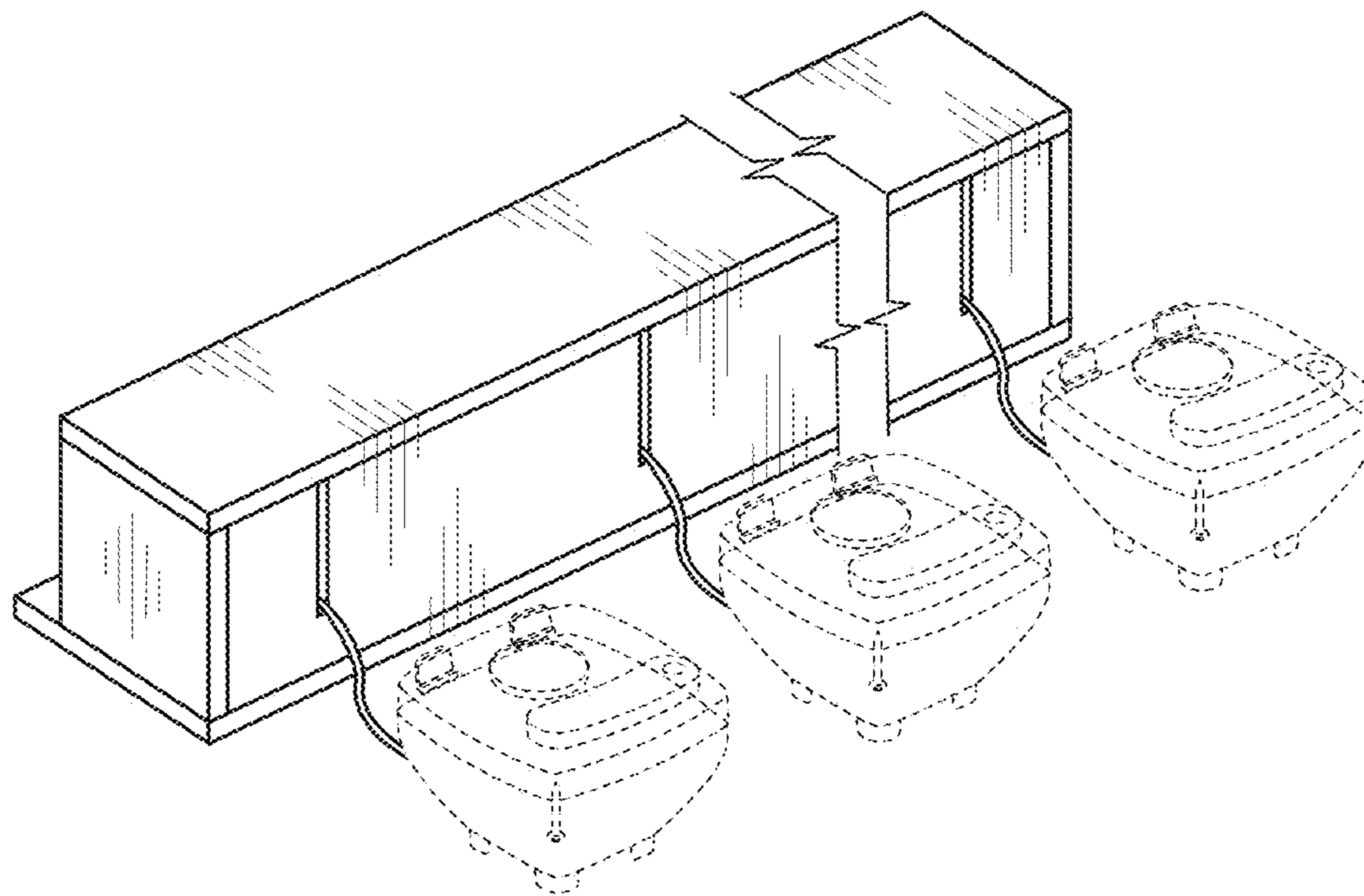


FIG. 1

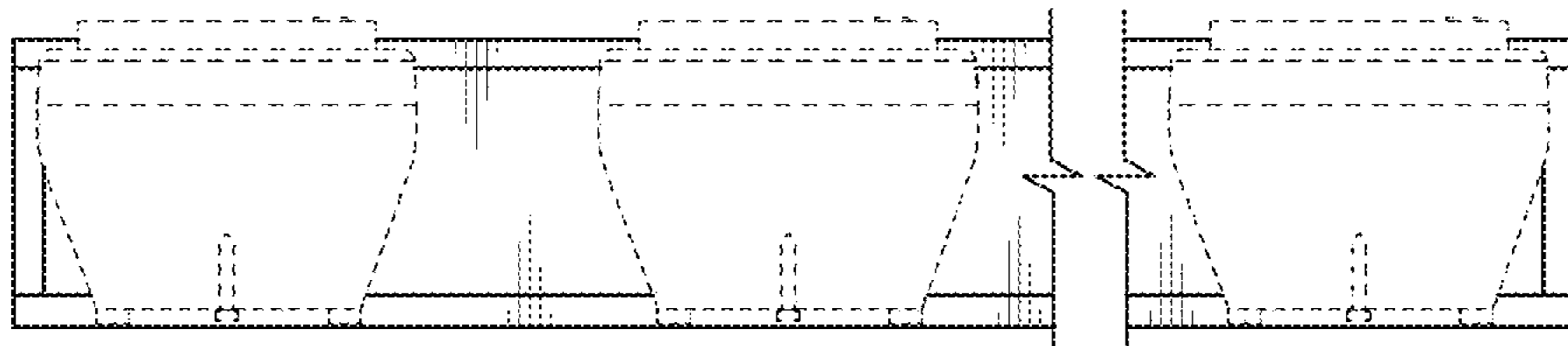


FIG. 2

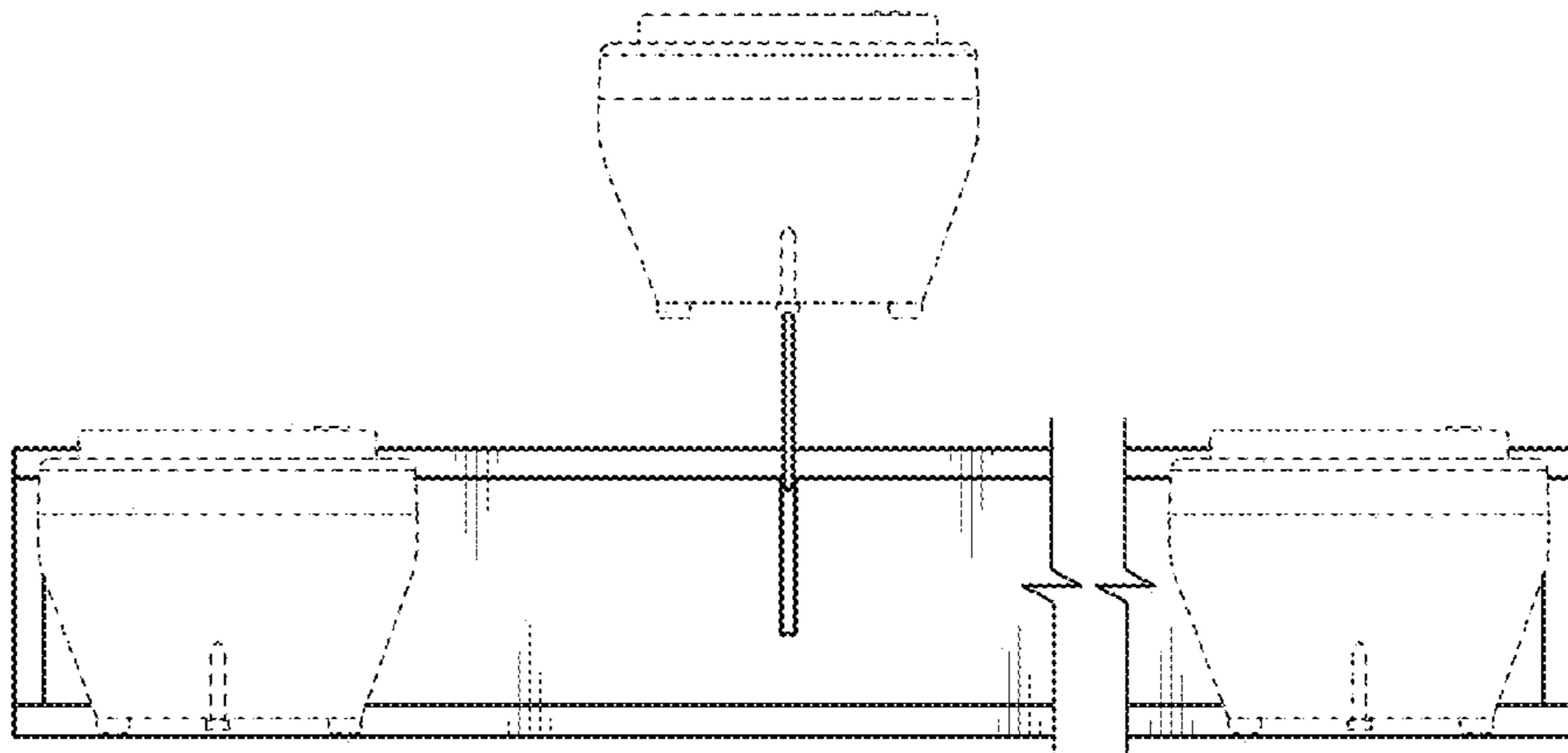
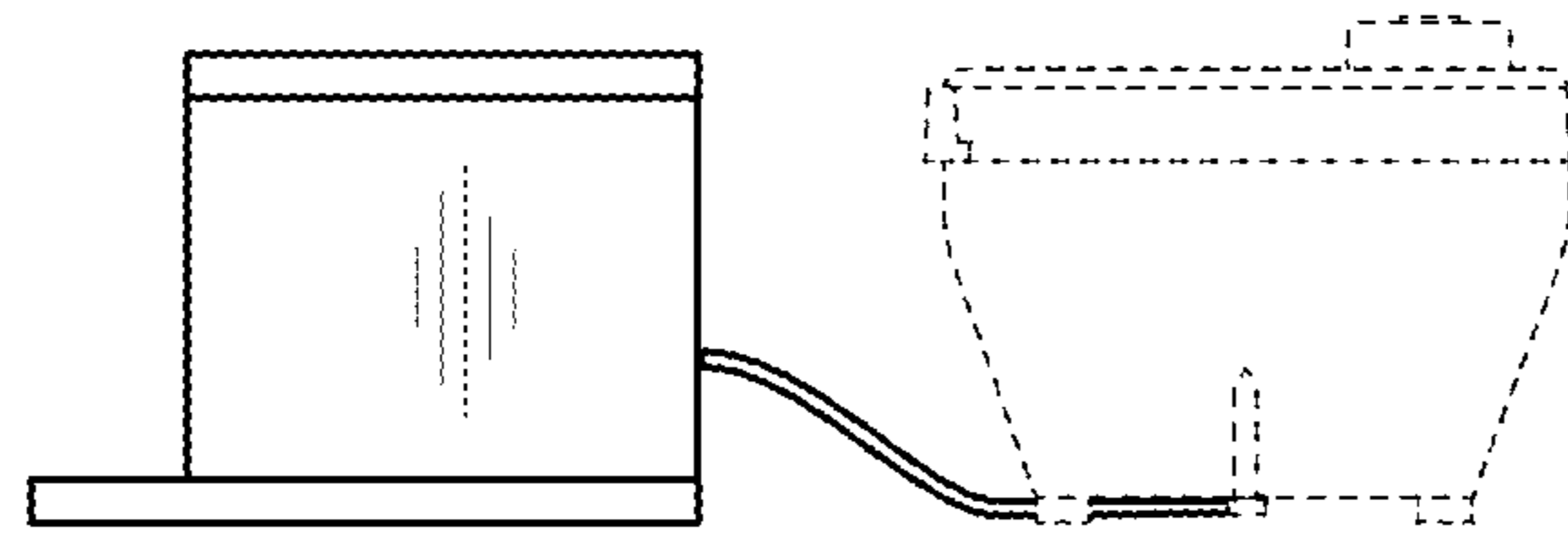
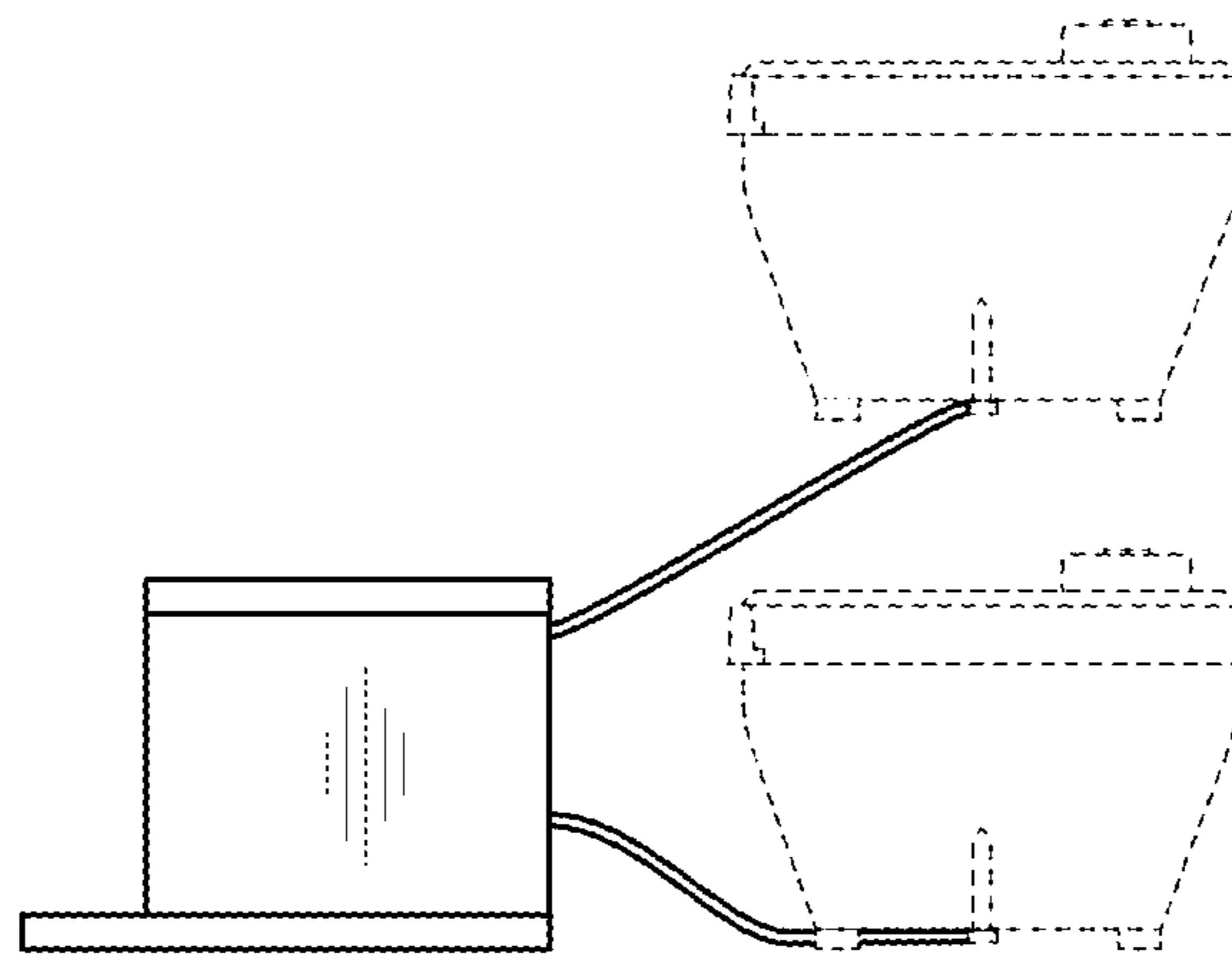


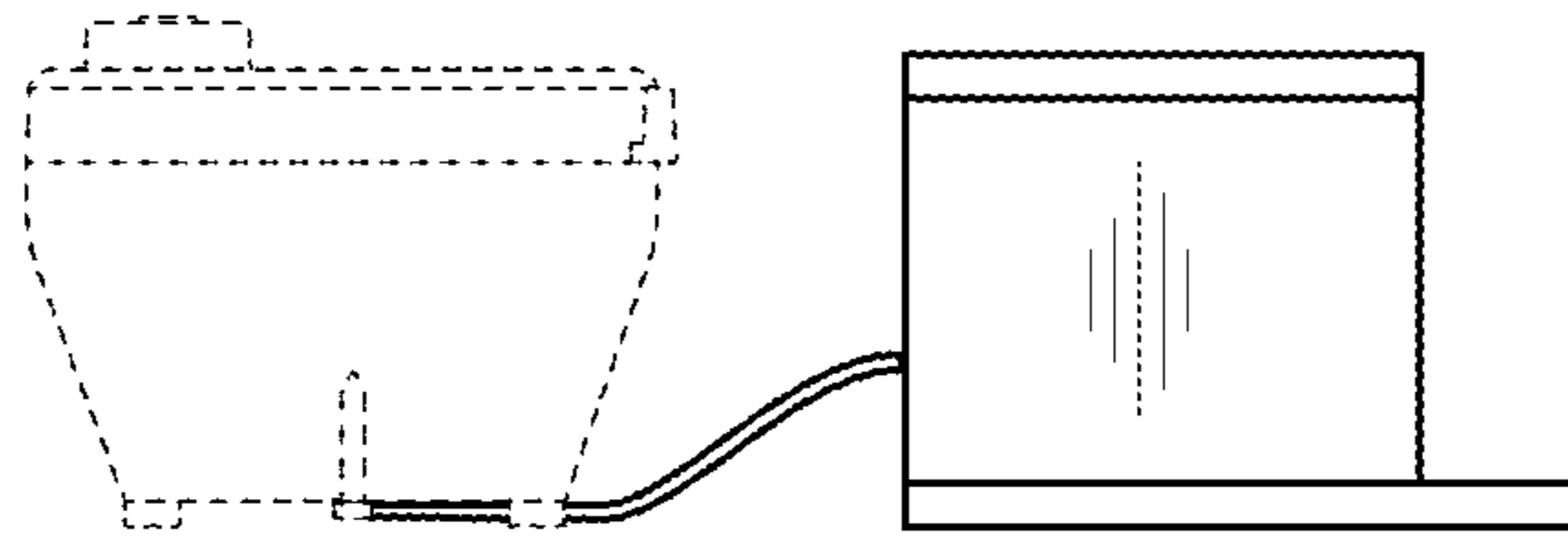
FIG. 3



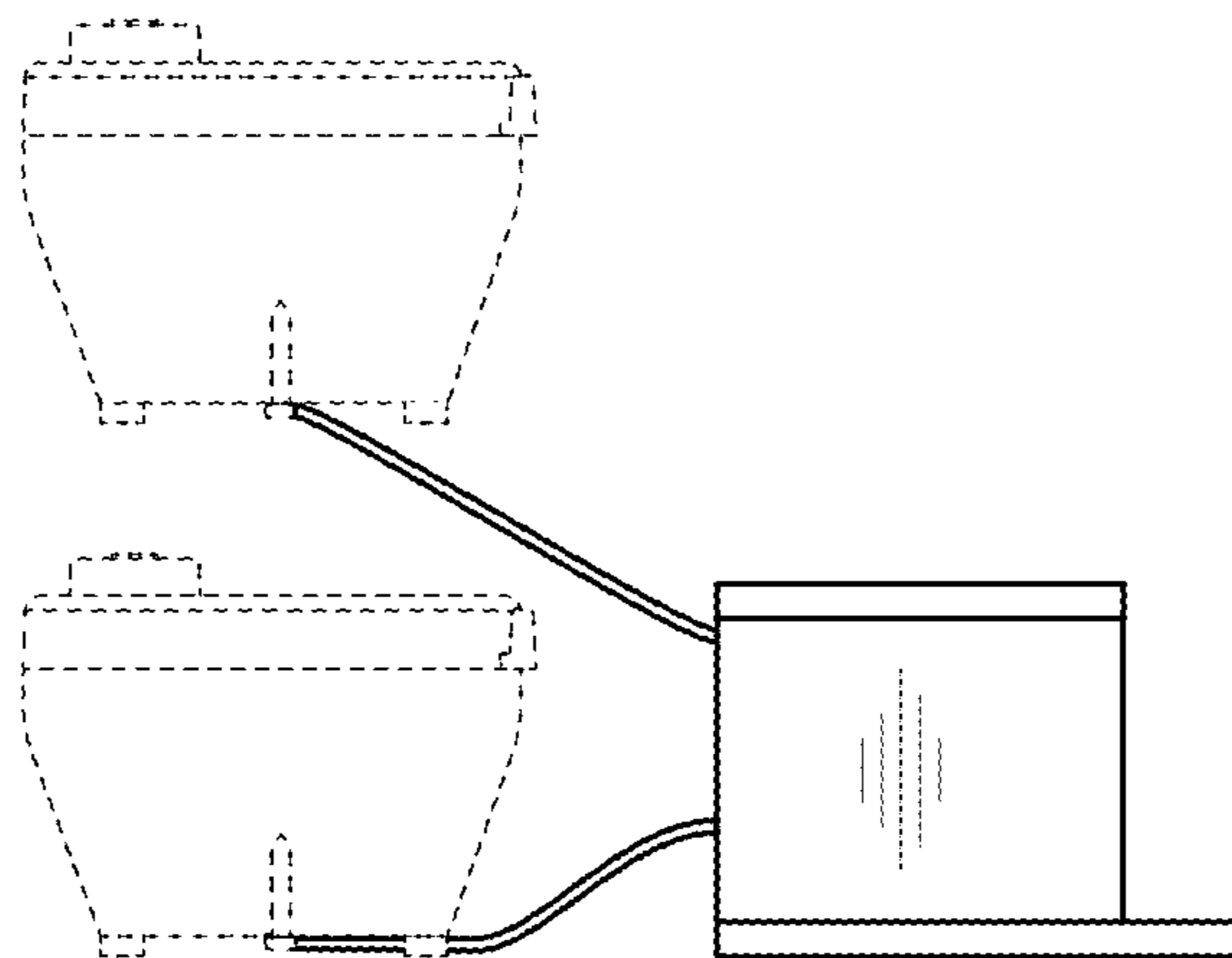
**FIG. 4**



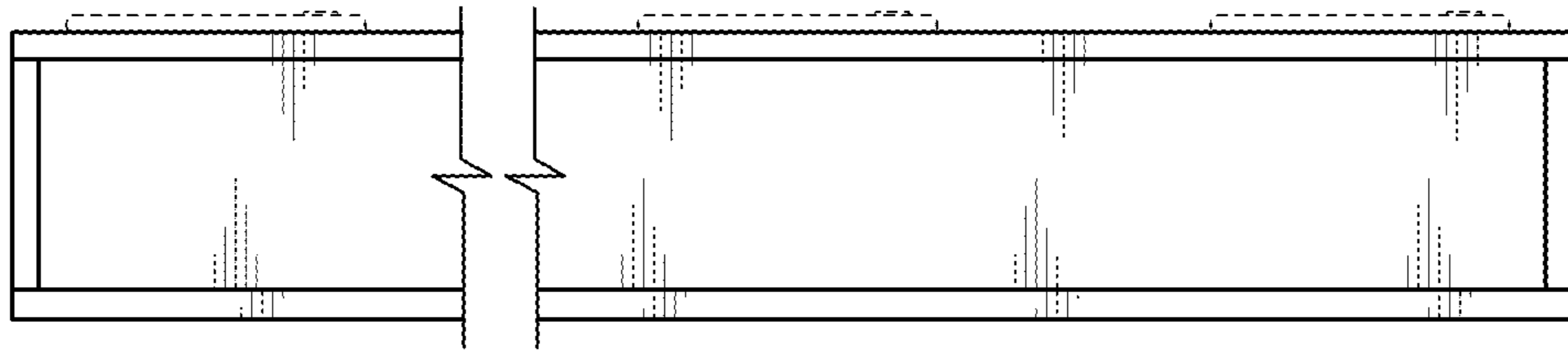
**FIG. 5**



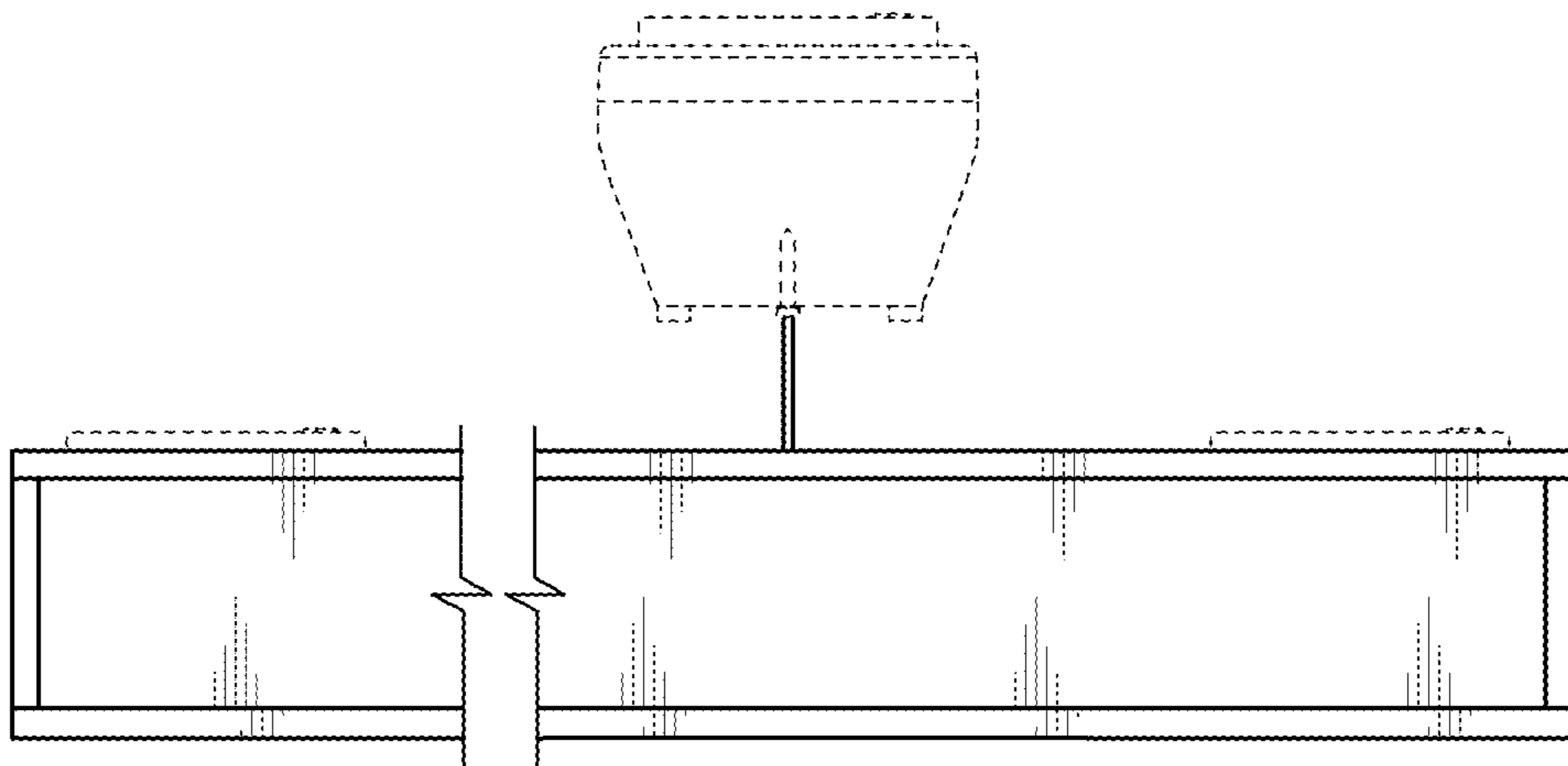
**FIG. 6**



**FIG. 7**

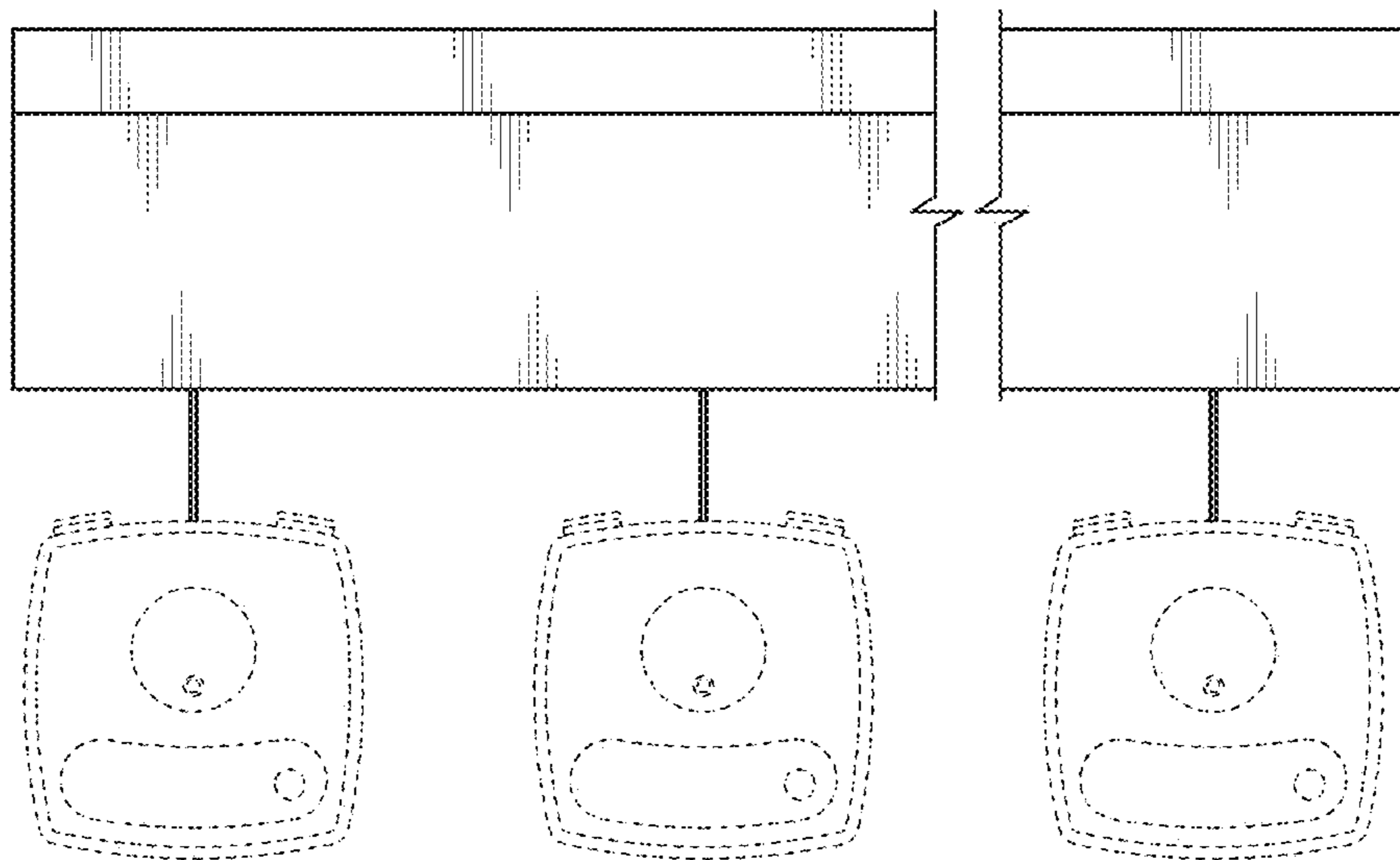


**FIG. 8**

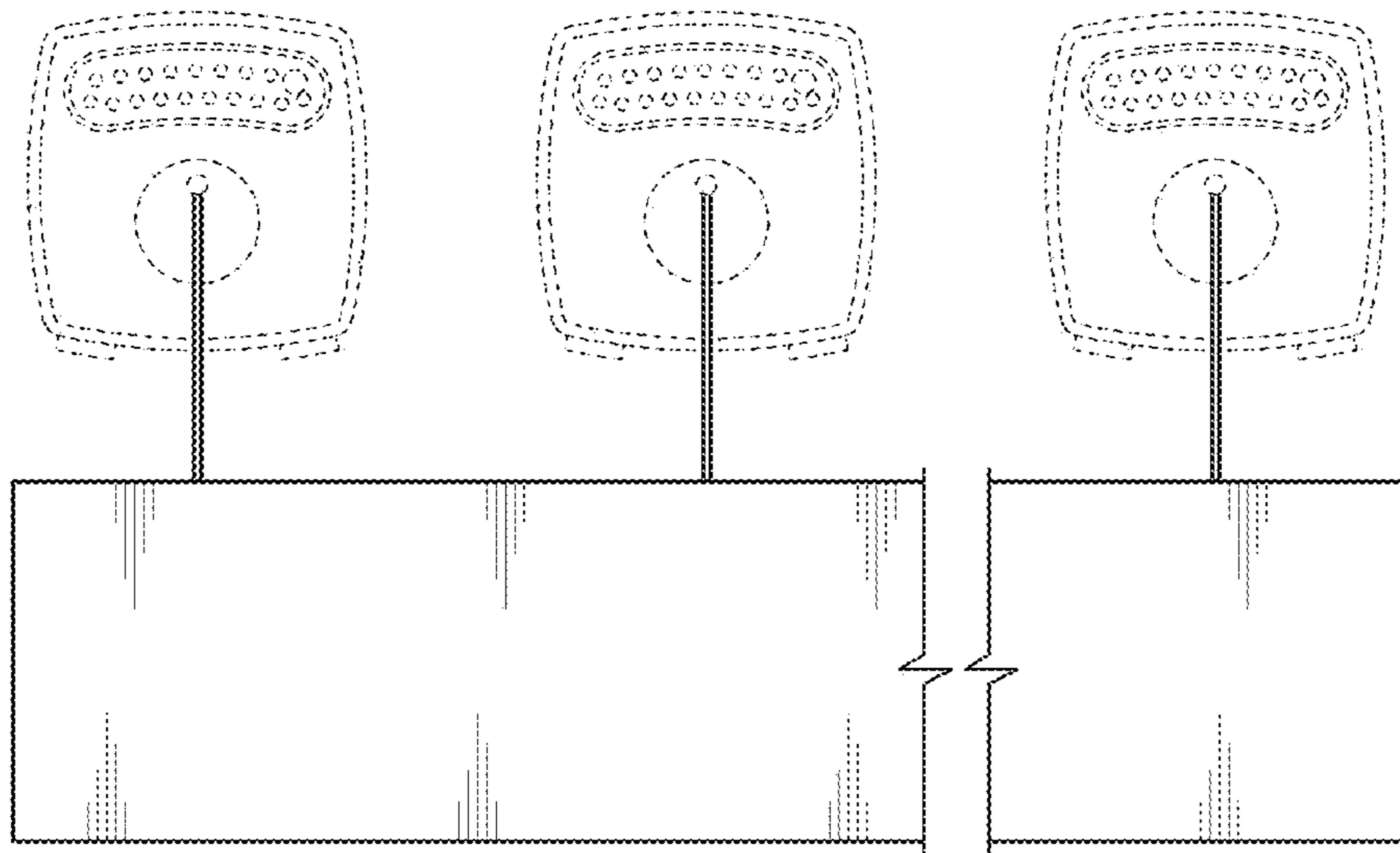


**FIG. 9**





**FIG. 10**



**FIG. 11**