



US00D956453S

(12) **United States Design Patent**
Bentzen

(10) **Patent No.:** **US D956,453 S**
(45) **Date of Patent:** **** Jul. 5, 2022**

(54) **COMPOSITE FURNITURE**

(71) Applicant: **MUUTO**, Copenhagen K (DK)

(72) Inventor: **Thomas Bentzen**, Copenhagen V (DK)

(**) Term: **15 Years**

(21) Appl. No.: **35/511,737**

(22) Filed: **Apr. 7, 2021**

(80) **Hague Agreement Data**

Int. Filing Date: **Apr. 7, 2021**

Int. Reg. No.: **DM/213708**

Int. Reg. Date: **Apr. 7, 2021**

Int. Reg. Pub. Date: **Apr. 23, 2021**

(51) **LOC (13) Cl.** **06-05**

(52) **U.S. Cl.**
USPC **D6/643.1**

(58) **Field of Classification Search**
USPC D6/641, 642, 643, 643.1, 644, 656,
D6/656.13, 656.17, 691, 691.1, 691.6
CPC A47B 1/08; A47B 1/10; A47B 2001/105;
A47B 13/003; A47B 21/0314; A47B
21/03; A47B 87/002; A47B 2200/0077;
A47B 2200/008

See application file for complete search history.

(56) **References Cited**

U.S. PATENT DOCUMENTS

D216,991 S *	3/1970	Gianfagna	D6/643.1
D220,111 S *	3/1971	Gianfagna	D6/643.1
D596,876 S *	7/2009	Oshinomi	D6/654.14
D596,878 S *	7/2009	Oshinomi	D6/656.17
D745,294 S *	12/2015	Murray	D6/662
9,247,812 B2 *	2/2016	Parshad	A47B 83/001
10,117,511 B2 *	11/2018	Gosling	A47B 83/001
D843,148 S *	3/2019	Menayan	D6/691.6
D861,380 S *	10/2019	Citterio	D6/643
D863,831 S *	10/2019	Citterio	D6/643

D863,832 S *	10/2019	Citterio	D6/643
11,291,302 B2 *	4/2022	Matthai	A47B 21/06
2003/0070595 A1 *	4/2003	Crinion	A47B 17/003 108/65
2005/0263041 A1 *	12/2005	Mueller	A47B 21/06 108/50.02
2010/0242808 A1 *	9/2010	Negoro	A47B 91/02 108/42
2014/0238277 A1 *	8/2014	Fishman	A47B 21/06 108/106
2014/0261100 A1 *	9/2014	Henriott	A47B 13/02 108/50.02
2020/0128951 A1 *	4/2020	Anderson	A47B 9/20
2021/0212452 A1 *	7/2021	Colin	A47B 21/06

OTHER PUBLICATIONS

Muuto, posted at youtube.com, posted on Nov. 7, 2020, site visited Apr. 13, 2022. online, available from internet: <https://www.youtube.com/watch?v=kqC4S2zBgPM> (Year: 2020).*

* cited by examiner

Primary Examiner — Mary Ann Calabrese

Assistant Examiner — Catherine Ho

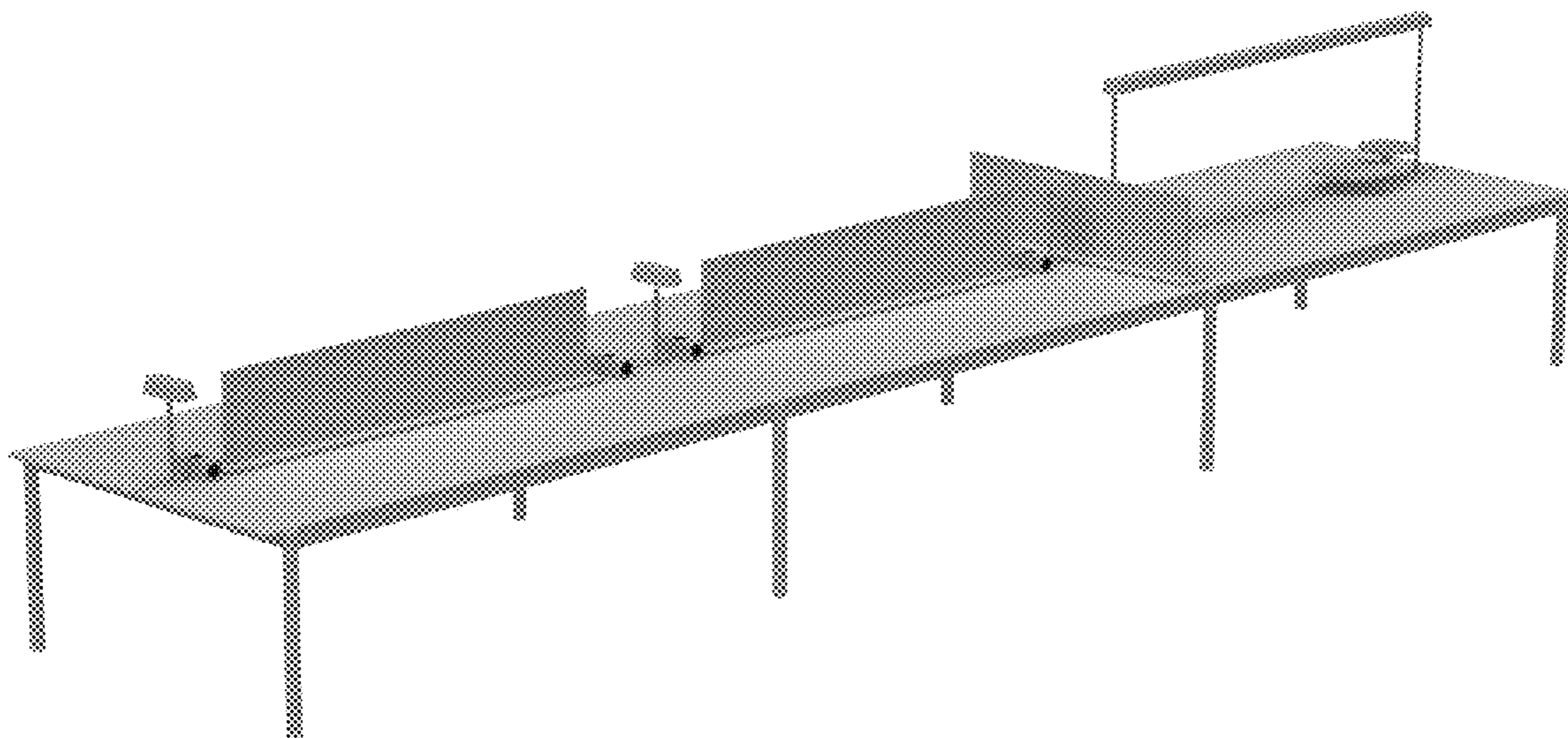
(57) **CLAIM**

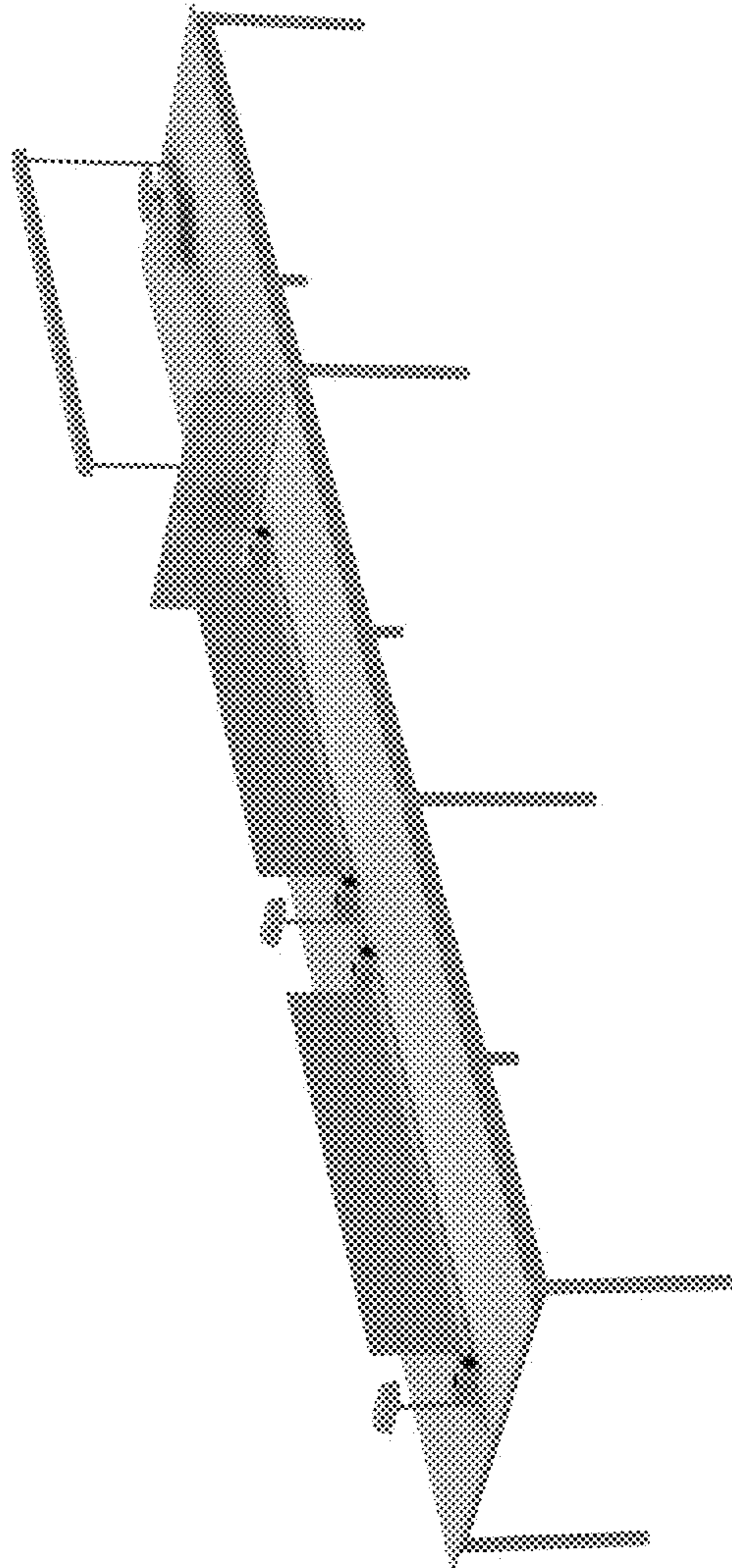
The ornamental design for composite furniture, as shown and described.

DESCRIPTION

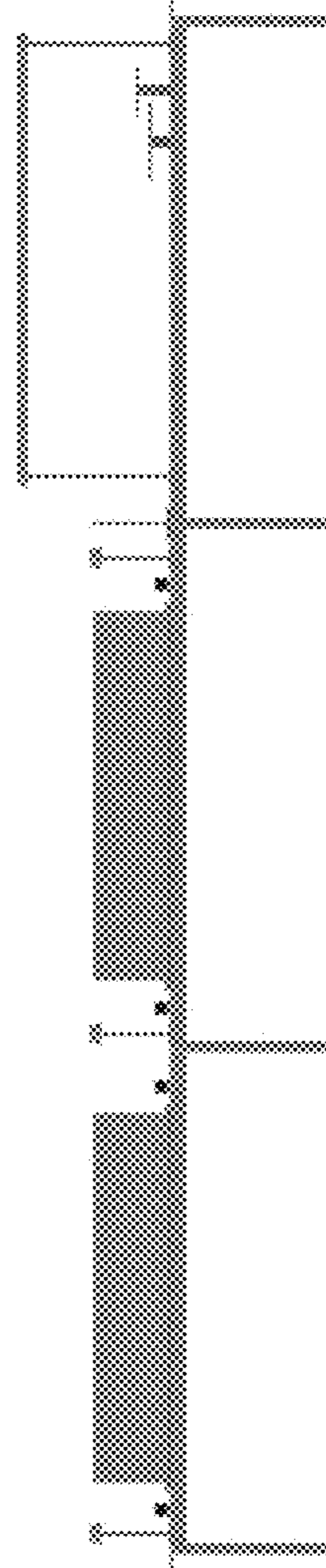
- 1. Composite furniture
- 1.1 : Perspective
- 1.2 : Front
- 1.3 : Back
- 1.4 : Top
- 1.5 : Bottom
- 1.6 : Left
- 1.7 : Right
- 1.8 : Perspective
- 1.9 : Exploded

1 Claim, 9 Drawing Sheets

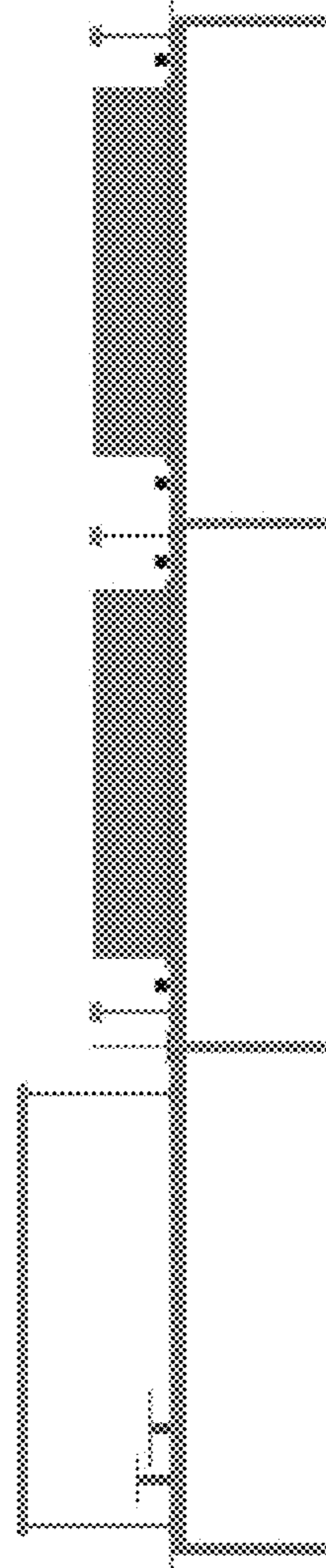




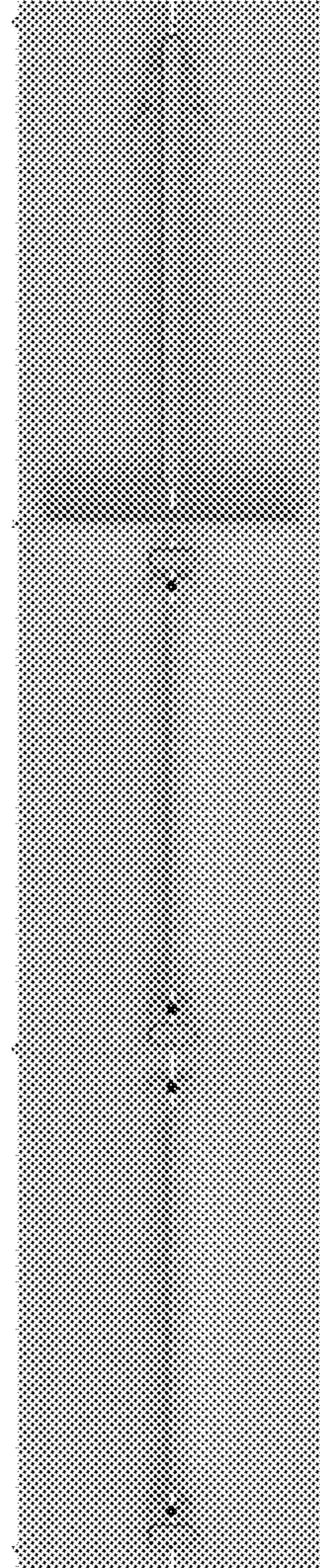
1.1



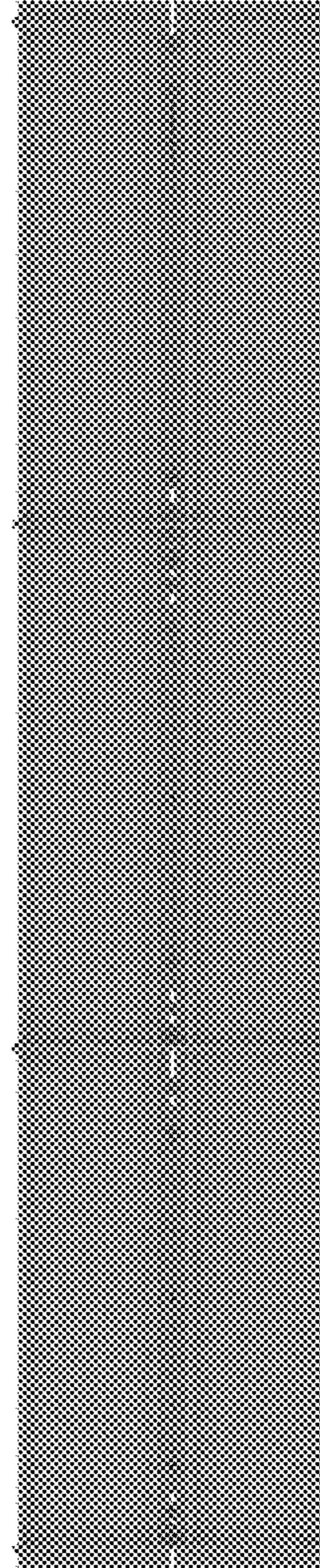
1.2



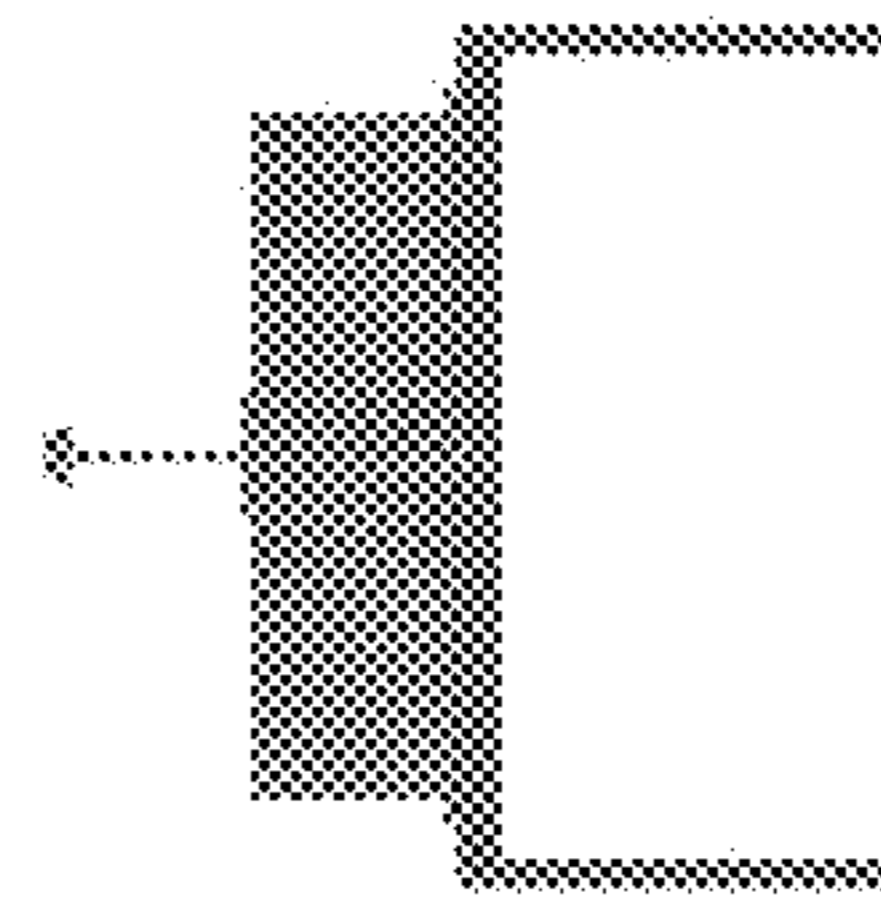
1.3



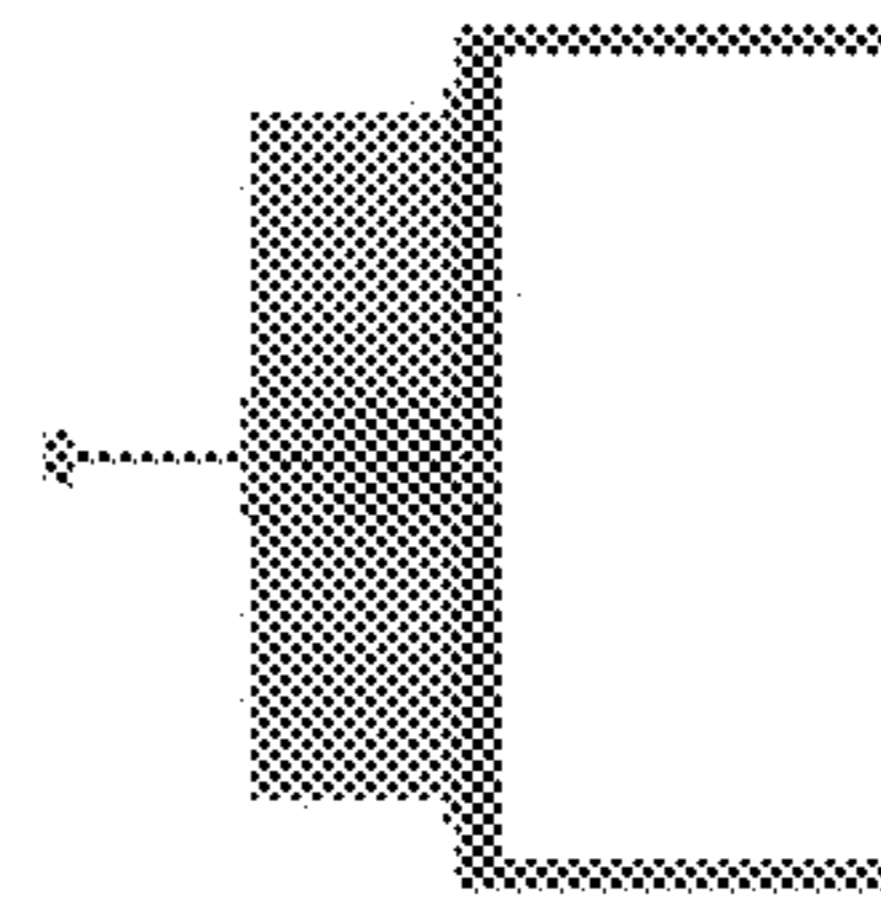
1.4



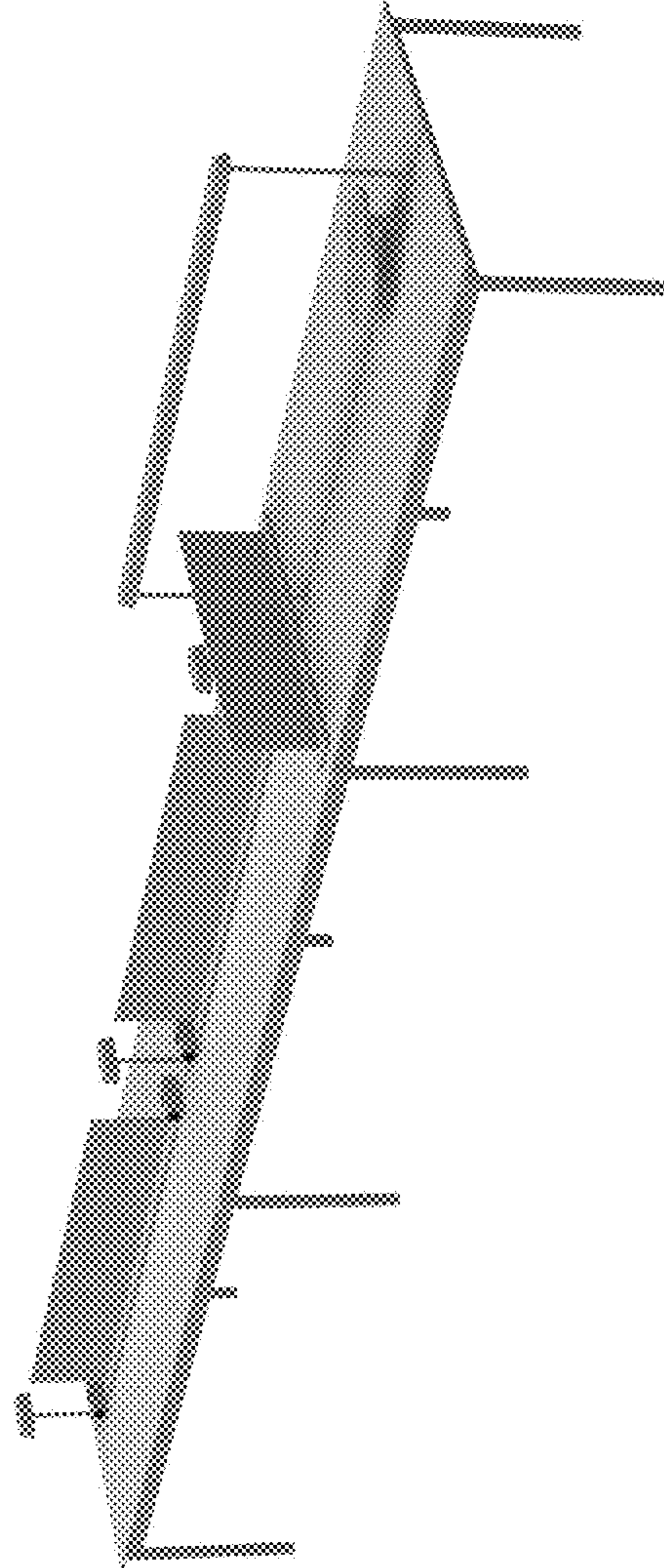
1.5



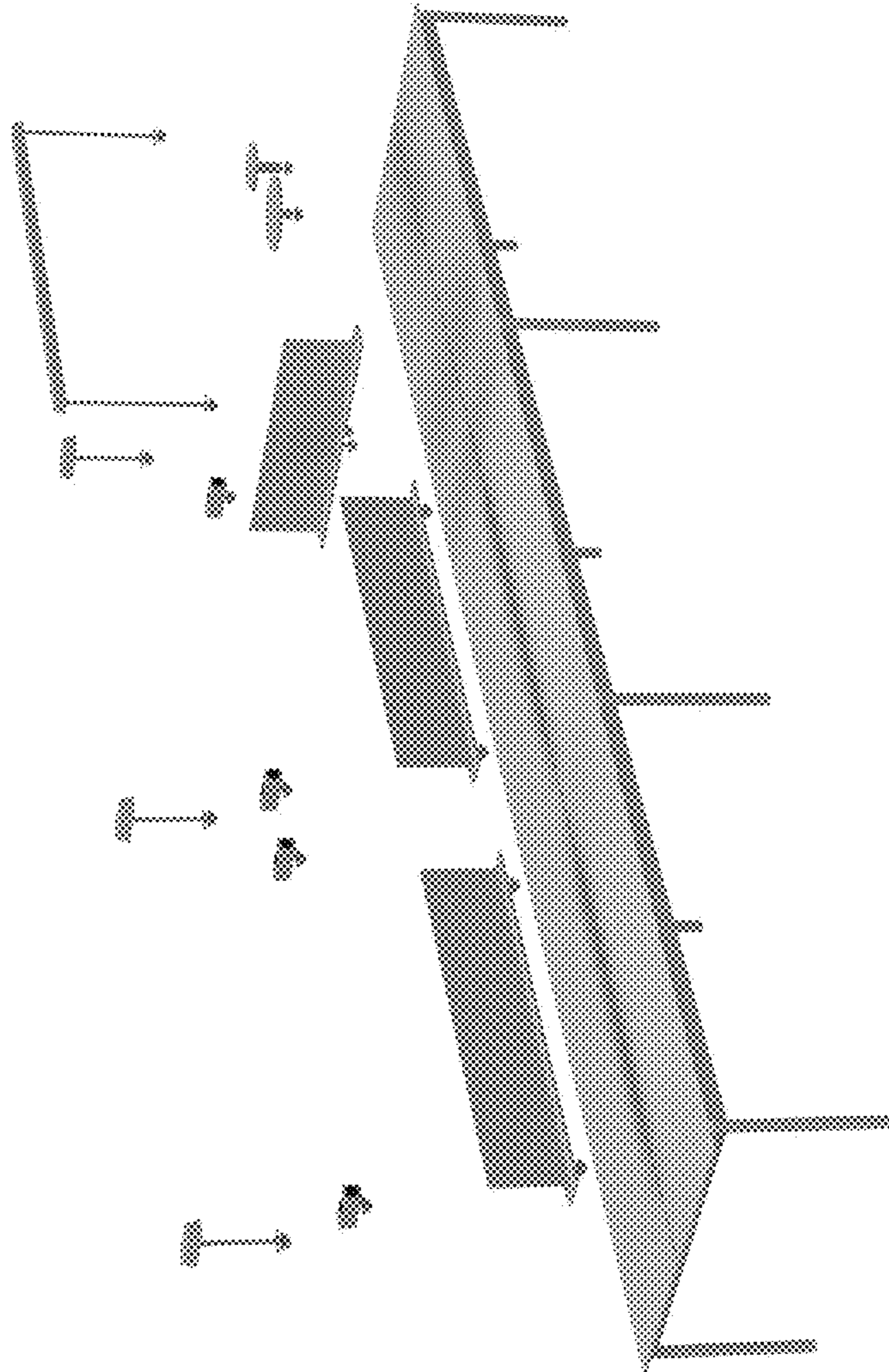
1.6



1.7



1.8



1.9