



US00D956452S

(12) **United States Design Patent** (10) **Patent No.:** **US D956,452 S**  
**Hasani et al.** (45) **Date of Patent:** **\*\* Jul. 5, 2022**

- (54) **CHARGING STATION**
- (71) Applicant: **Parabit Systems, Inc.**, Roosevelt, NY (US)
- (72) Inventors: **Mohammad Hasani**, Brooklyn, NY (US); **Robert J Leiponis**, Glen Cove, NY (US)
- (73) Assignee: **Parabit Systems, Inc.**, Roosevelt, NY (US)

D222,567 S 11/1971 Cohen  
 D228,213 S 8/1973 Johnston  
 D228,984 S 11/1973 Miller  
 (Continued)

**FOREIGN PATENT DOCUMENTS**

EP 2194617 B1 1/2019  
 JP 2020096528 A 6/2020  
 WO 2009059921 A1 5/2009

**OTHER PUBLICATIONS**

“Arconas inPower Bar Charging Station”. Found online Mar. 22, 2022 at arconas.com. Reference dated Dec. 7, 2019. Retrieved from [https://tineye.com/search/759baa615b136bc7f06622d85c40081c9468593f?sort=crawl\\_date&order=asc&page=1](https://tineye.com/search/759baa615b136bc7f06622d85c40081c9468593f?sort=crawl_date&order=asc&page=1). (Year: 2019).\*

(Continued)

- (\*\*) Term: **15 Years**
- (21) Appl. No.: **29/823,669**
- (22) Filed: **Jan. 19, 2022**

**Related U.S. Application Data**

- (63) Continuation of application No. 29/716,221, filed on Dec. 7, 2019, now Pat. No. Des. 944,726.
- (51) **LOC (13) Cl.** ..... **06-03**
- (52) **U.S. Cl.**  
USPC ..... **D6/643.1; D13/107**
- (58) **Field of Classification Search**  
USPC ..... D13/103, 107, 108, 109, 110, 118, 119, D13/184, 199; D14/356, 432, 433, 434; D6/641, 642, 643, 643.1, 647, 656, 656.1, D6/698  
CPC ..... H02J 7/0049; H02J 15/00; H05K 5/00  
See application file for complete search history.

*Primary Examiner* — Kendra Leslie Hamilton  
*Assistant Examiner* — Amanda Christensen  
 (74) *Attorney, Agent, or Firm* — Gerald Hespos; Michael Porco

(57) **CLAIM**

The ornamental design for a charging station, as shown and described.

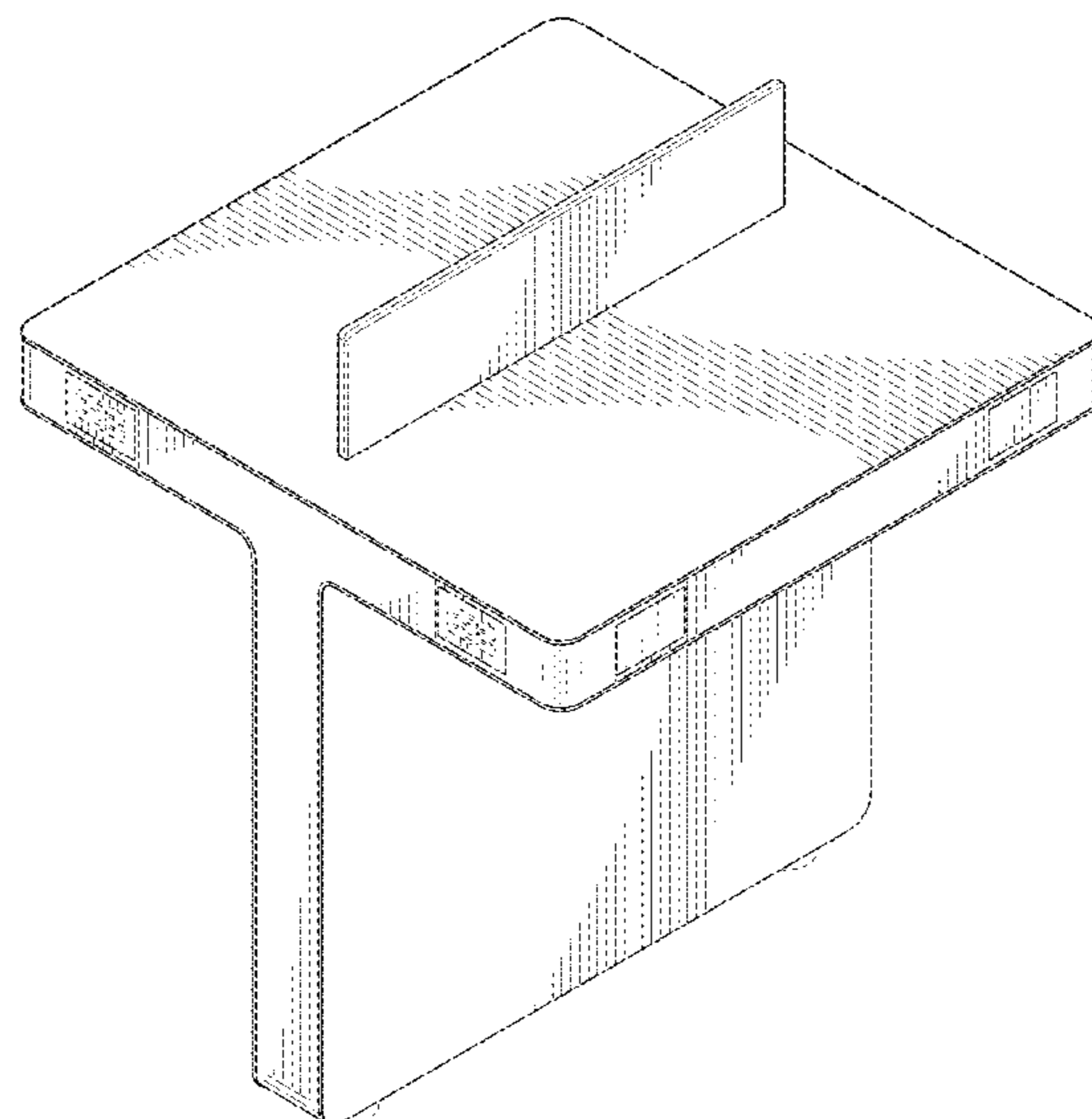
**DESCRIPTION**

FIG. 1 is a front, top, right perspective view of a charging station showing our new design;  
 FIG. 2 is top plan view thereof;  
 FIG. 3 is a bottom plan view thereof;  
 FIG. 4 is a right side elevational view thereof, the left side being a mirror image; and,  
 FIG. 5 is a front elevational view thereof, the rear view being a mirror image.  
 The broken lines in the drawings depict portions of the charging station that form no part of the claimed design.

(56) **References Cited**  
U.S. PATENT DOCUMENTS

- D126,590 S 4/1941 Lewin
- D195,567 S 7/1963 Gleitsman
- D195,571 S 7/1963 Gleitsman
- D195,955 S 8/1963 Carlson
- 3,433,183 A 3/1969 Yarme et al.
- 3,488,622 A 1/1970 Gley
- D220,111 S \* 3/1971 Gianfagna ..... D6/643.1

**1 Claim, 5 Drawing Sheets**



(56)

References Cited

U.S. PATENT DOCUMENTS

3,866,550 A \* 2/1975 Geschwender ..... A47B 3/12  
297/440.13

4,978,318 A 12/1990 Wiley et al.  
D338,664 S 8/1993 Goff  
5,281,155 A 1/1994 Comerci et al.  
D359,722 S 6/1995 Owens  
D365,237 S 12/1995 Stirling et al.  
D370,571 S \* 6/1996 Newhouse ..... D6/656  
D371,919 S 7/1996 Konecny  
D396,123 S 7/1998 Swanson  
5,797,192 A 8/1998 Curtis  
D402,484 S \* 12/1998 Sandy ..... D6/643.1  
D417,981 S \* 12/1999 Zwicker ..... D6/699.1  
D446,499 S 8/2001 Andre et al.  
D480,581 S 10/2003 Searer  
D487,730 S 3/2004 Müller  
D492,504 S \* 7/2004 Gower ..... D6/643.1  
D544,248 S 6/2007 Parisot  
D573,950 S 7/2008 Schwartz  
D596,877 S \* 7/2009 Oshinomi ..... D6/691.5  
D621,346 S 8/2010 Navid  
D626,069 S 10/2010 Byrne  
D637,836 S 5/2011 Cortivo et al.  
D646,508 S 10/2011 Parizek et al.  
D652,655 S \* 1/2012 Parizek ..... D6/698  
D659,090 S \* 5/2012 deRoo ..... D13/107  
D671,068 S 11/2012 Gieniec  
D689,478 S 9/2013 Wikel et al.  
D705,170 S 5/2014 Diehl et al.  
D708,574 S 7/2014 Gieniec et al.  
D709,828 S 7/2014 Fiaschetti  
D714,726 S 10/2014 Byrne et al.  
D721,650 S 1/2015 Fauchet et al.  
D729,161 S 5/2015 Lykov et al.  
D742,830 S 11/2015 Croft et al.  
D748,087 S 1/2016 Lee et al.  
D762,177 S 7/2016 Sumwalt et al.  
D766,823 S 9/2016 Wahl  
D781,086 S 3/2017 Velez et al.  
D788,035 S 5/2017 Bang et al.  
D794,358 S 8/2017 Yamamoto  
D794,558 S 8/2017 Zhou  
10,038,332 B1 7/2018 Leabman et al.  
D842,241 S 3/2019 Hasani  
D858,435 S 9/2019 Helnerus et al.  
D861,380 S \* 10/2019 Citterio ..... D6/643  
D867,997 S 11/2019 Knapp et al.  
D873,768 S 1/2020 Minkyō  
D880,425 S 4/2020 Chen et al.  
D901,388 S 11/2020 Hasani  
D903,380 S 12/2020 Stevens  
D911,968 S 3/2021 Li  
D924,805 S 7/2021 Luo  
D930,591 S 9/2021 Rupert  
D932,426 S 10/2021 Twomey et al.  
D944,726 S \* 3/2022 Hasani ..... D6/656  
D948,449 S 4/2022 Hasani  
2005/0016806 A1 \* 1/2005 Klinke ..... A47B 9/20  
188/371

2009/0224423 A1 9/2009 Vigorito et al.  
2010/0013434 A1 1/2010 Taylor-Haw et al.  
2010/0290215 A1 \* 11/2010 Metcalf ..... H02J 7/025  
362/127

2011/0018498 A1 1/2011 Soar

2011/0084651 A1 4/2011 Caskey et al.  
2016/0079721 A1 3/2016 Jones et al.  
2018/0175655 A1 6/2018 Liu  
2019/0125074 A1 5/2019 Cheng  
2020/0052506 A1 2/2020 Green  
2020/0221227 A1 7/2020 Nelson et al.  
2020/0221876 A1 7/2020 Morales et al.

OTHER PUBLICATIONS

“DFS Designs strait desk”. Found online Mar. 22, 2022 at amazon.com. Reference dated May 14, 2018. Retrieved from <https://www.amazon.com/DFS-Designs-person-strait-divider/dp/B07D25FH76>. (Year: 2018).\*

“Arconas inPower Bar”. Found online Mar. 22, 2022 at trendhunter.com. Reference dated Jun. 4, 2015. Retrieved from <https://www.trendhunter.com/trends/power-source>. (Year: 2015).\*

“Airport Power Outlets”. Found online OS/20/2021 at tripsavvy.com. Reference dated Jun. 26, 2019. Retrieved from <https://www.tripsavvy.com/guide-to-airport-power-outlets-4106619>. (Year: 2019).

“Alaska Airlines International Power Outlet”. Found online 04/12/2020 at commons.wikipedia.org. Reference dated Sep. 11, 2014. Retrieved from [https://commons.wikimedia.org/wiki/File:Alaska\\_Airlines\\_International\\_Power\\_Outlets.jpg](https://commons.wikimedia.org/wiki/File:Alaska_Airlines_International_Power_Outlets.jpg). (Year: 2014).

“Atomi Rotating Surge Mini”. Found online Nov. 17, 2021 at amazon.com. Reference dated Aug. 5, 2018. Retrieved from [https://www.amazon.com/Atomi-Rotating-Surge-Power-Outlets/dp/B07G6YS6SR/ref=asc\\_dCB07G6YS6SR?th=1](https://www.amazon.com/Atomi-Rotating-Surge-Power-Outlets/dp/B07G6YS6SR/ref=asc_dCB07G6YS6SR?th=1). (Year: 2018).

“Brandstand CubieMini Outlets”. Found online Nov. 17, 2021 at amazon.com. Reference dated Dec. 31, 2015. Retrieved from <https://www.amazon.com/Brandstand-Cubiemini-Charging-Station-Protection/dp/BO1A1FMFGU?th=1>. (Year: 2015).

“Charging Stations”. Found online OS/20/2021 at phl.org. Reference dated Nov. 2, 2015. Retrieved from [https://tineye.com/search/e2a3488a7781836bb6c07dfd665174eb0812852e?sort=crawl\\_date&order=asc&page=1](https://tineye.com/search/e2a3488a7781836bb6c07dfd665174eb0812852e?sort=crawl_date&order=asc&page=1). (Year: 2015).

“Forbes USB Charging Station”. Found online Apr. 22, 2020 at Forbes.com. Reference dated May 21, 2019. Retrieved from <https://www.forbes.com/sites/suzannerowankelleher/2019/05/21/why-you-should-never-use-airport-usb-charging-stations/#ge3d0745955b>. (Year: 2019).

“In Power Flex Charging Stations”. Found online Apr. 21, 2020 at clickorlando.com. Reference dated Nov. 15, 2019. Retrieved from <https://www.clickorlando.com/news/2019/11/15/officials-warn-against-using-public-usb-charging-stations/>. (Year: 2019).

“Parabit Airport charging station”. Found online OS/20/2021 at aeroexpo.online. Reference dated OS/20/2021. Retrieved from <https://www.aeroexpo.online/prod/parabit-systems/product-177577-63554.html>. (Year: 2021).

“Power Up: A guide to US airport charging stations”, by Lauren Mack. Retrieved from the internet on [www.cheapflights.com](http://www.cheapflights.com), 4/10/2021, date published: Oct. 27, 2015. (Year: 2015).

“PWR-Plug Power Grommet”. Found online Nov. 17, 2021 at amazon.com. Reference dated Jul. 6, 2018. Retrieved from <https://www.amazon.com/PWR-Plug-Grommet-Furniture-Standard-Charging/dp/BO84LQBKRN>. (Year: 2018).

Mobile Device Charging Stations: Power to the People Brochure; Parabit Systems, Inc.; 8 pages, Jun. 27, 2017.

\* cited by examiner



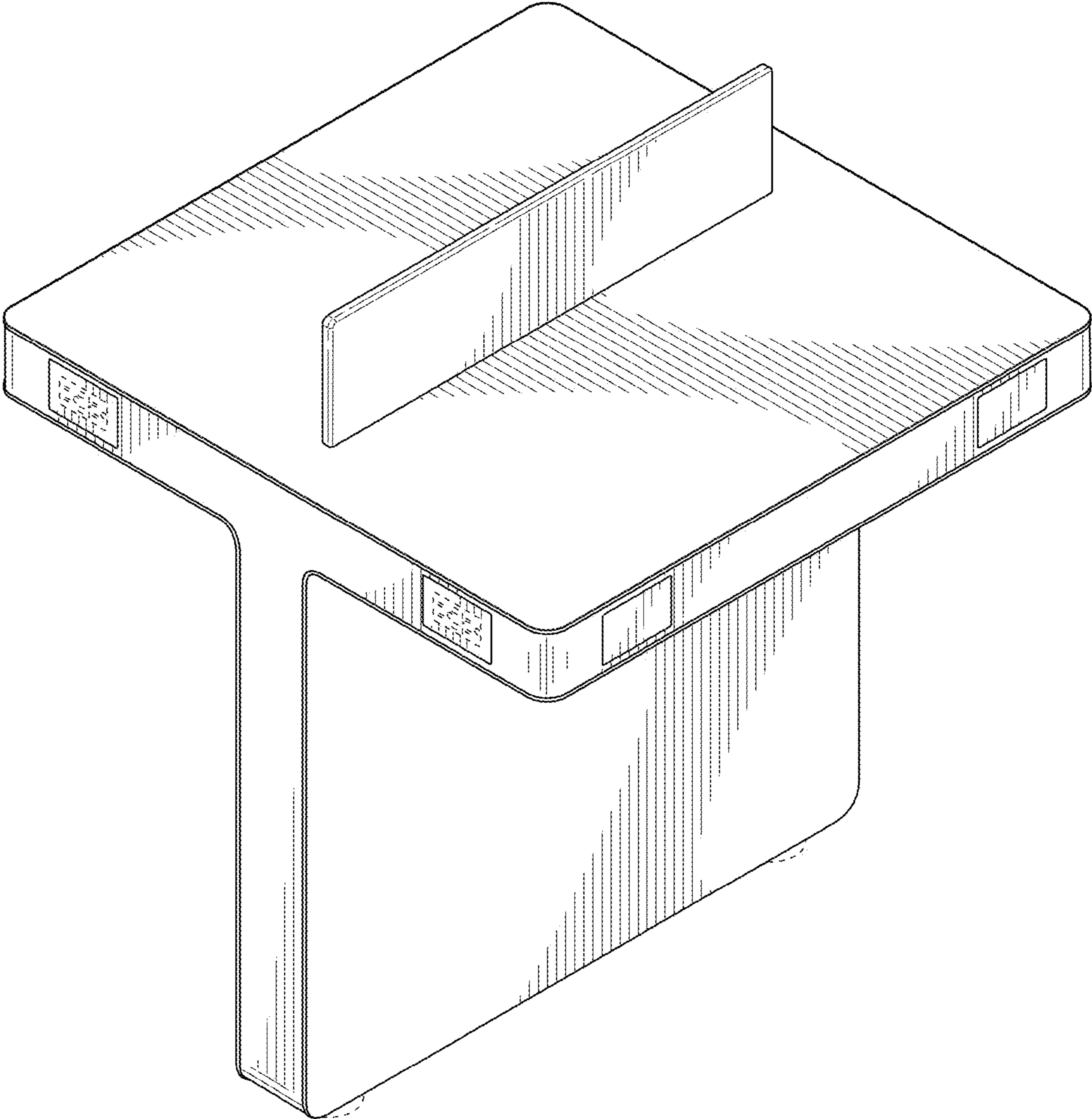


FIG. 1

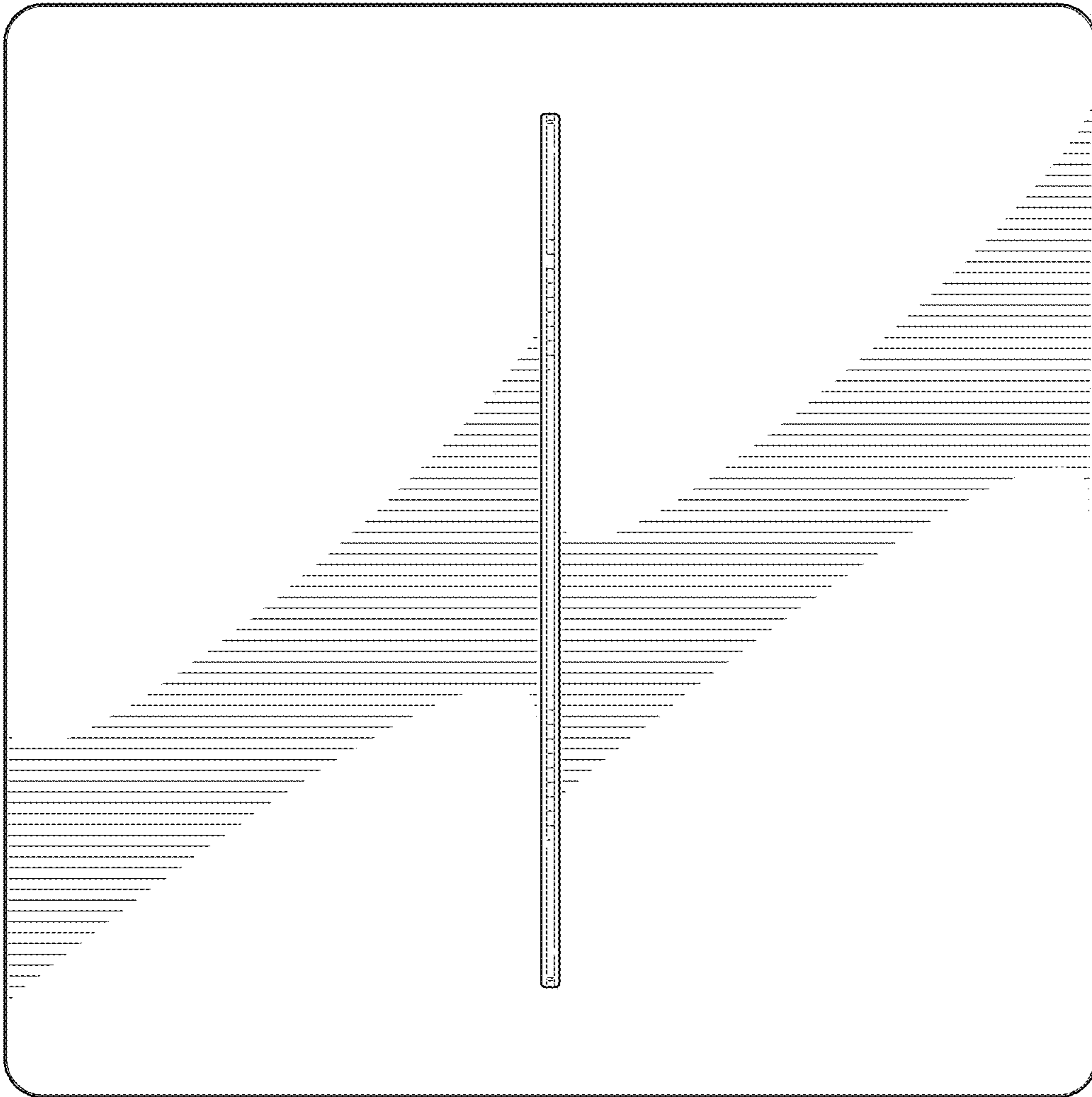


FIG. 2

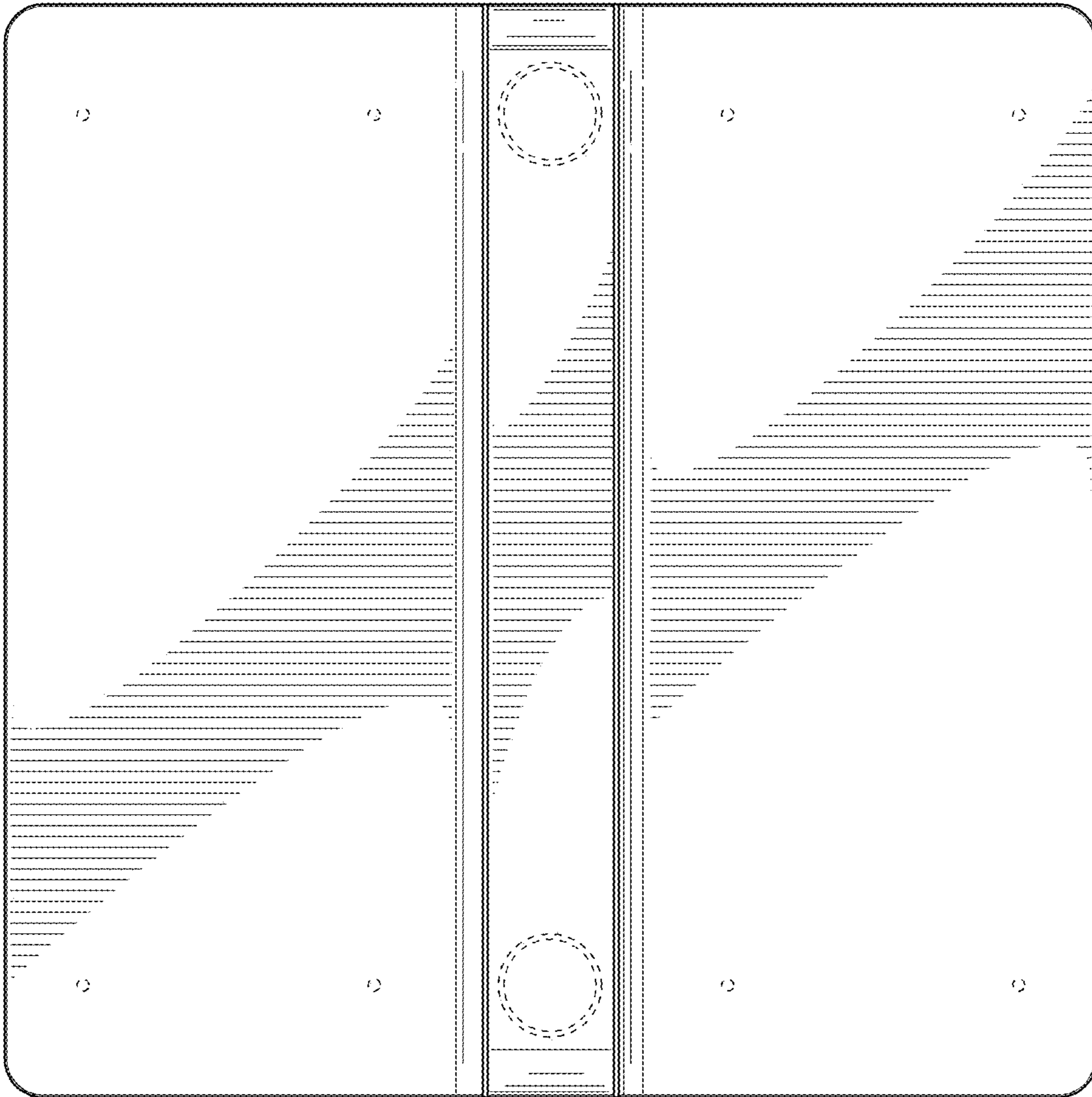


FIG. 3

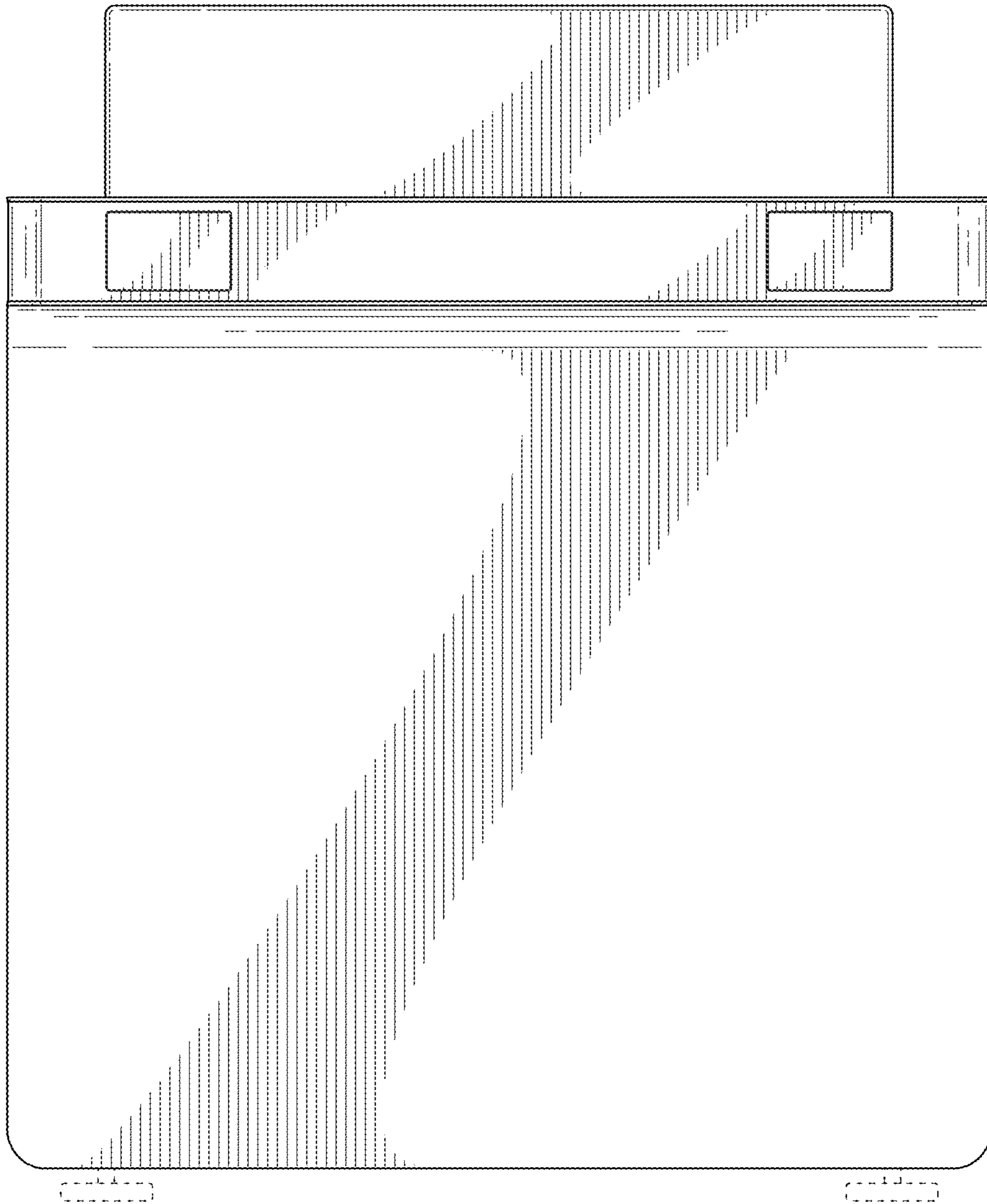


FIG. 4

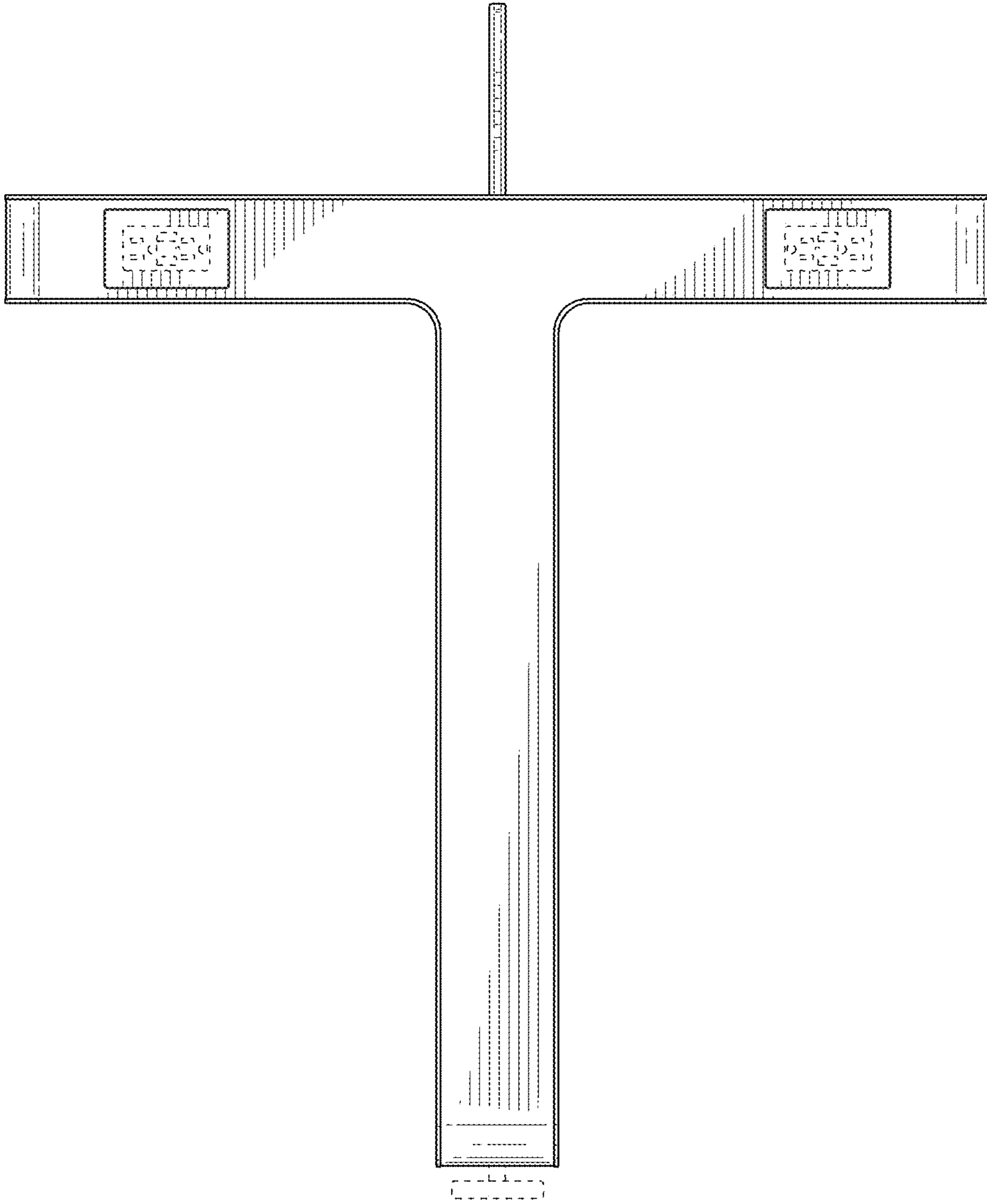


FIG. 5