



US00D956451S

(12) **United States Design Patent**
Megill

(10) **Patent No.:** **US D956,451 S**

(45) **Date of Patent:** **** Jul. 5, 2022**

(54) **RECORD COLLECTION HOLDER**

(71) Applicant: **Advideo Resources, LLC**, Glen Mills, PA (US)

(72) Inventor: **Douglas Megill**, Glen Mills, PA (US)

(**) Term: **15 Years**

(21) Appl. No.: **29/775,453**

(22) Filed: **Mar. 23, 2021**

(51) **LOC (13) Cl.** **06-06**

(52) **U.S. Cl.**
USPC **D6/629**

(58) **Field of Classification Search**

USPC D6/407, 627, 628, 629, 672, 673, 675,
D6/675.1, 678, 678.1, 678.4, 680.2,
D6/680.3, 681.1, 681.2, 682, 682.2,
D6/682.4; D19/75, 86; D14/356, 451,
D14/434, 253

CPC A47B 55/02; A47G 19/08; A47F 5/0018;
A47F 5/101; A47F 7/0057; A47F 7/0064;
A47J 47/16

See application file for complete search history.

D297,489 S *	9/1988	Chap	D7/704
5,111,940 A *	5/1992	VanNoord	G11B 23/0236 211/40
D353,400 S *	12/1994	Goodman	D6/407
D364,074 S *	11/1995	Yeh	D7/637
D381,548 S *	7/1997	Goodman	D6/678.4
D502,345 S *	3/2005	Hunt	D6/629
D555,203 S *	11/2007	Goodman	D19/90
D585,094 S *	1/2009	Smith	D19/90
D639,613 S *	6/2011	Goodman	D6/678.4
D670,339 S *	11/2012	Mitchell	D19/90
D742,145 S *	11/2015	Hsu	D6/683.1
D752,395 S *	3/2016	Chen	D7/704
D759,407 S *	6/2016	Denby	D6/675.2
D873,057 S *	1/2020	Tuang	D6/678.4
D891,832 S *	8/2020	Min	D6/675.2
D910,349 S *	2/2021	Kurlander	D6/678.4
D920,724 S *	6/2021	Burger	D6/678.4

* cited by examiner

Primary Examiner — Kelley A Donnelly

(74) *Attorney, Agent, or Firm* — The Sladkus Law Group

(57) **CLAIM**

The ornamental design for a record collection holder, as shown and described.

(56) **References Cited**

U.S. PATENT DOCUMENTS

451,729 A *	5/1891	Dorn	B42F 17/12 211/11
2,956,685 A *	10/1960	Levi	A47B 81/067 248/302
3,176,849 A *	4/1965	Peebles	B42F 17/02 211/11
D236,570 S *	9/1975	Dagarp	D6/407
4,410,093 A *	10/1983	Chiariello	B42F 17/12 211/11
4,410,094 A *	10/1983	Wagar	B42F 17/02 220/535
4,593,822 A *	6/1986	Yeaney	A47L 15/505 211/41.8

DESCRIPTION

FIG. 1 is a perspective view of the record collection holder showing a new design;

FIG. 2 is a front view of the holder of FIG. 1;

FIG. 3 is a rear view of the holder of FIG. 1;

FIG. 4 is a left side view of the holder of FIG. 1;

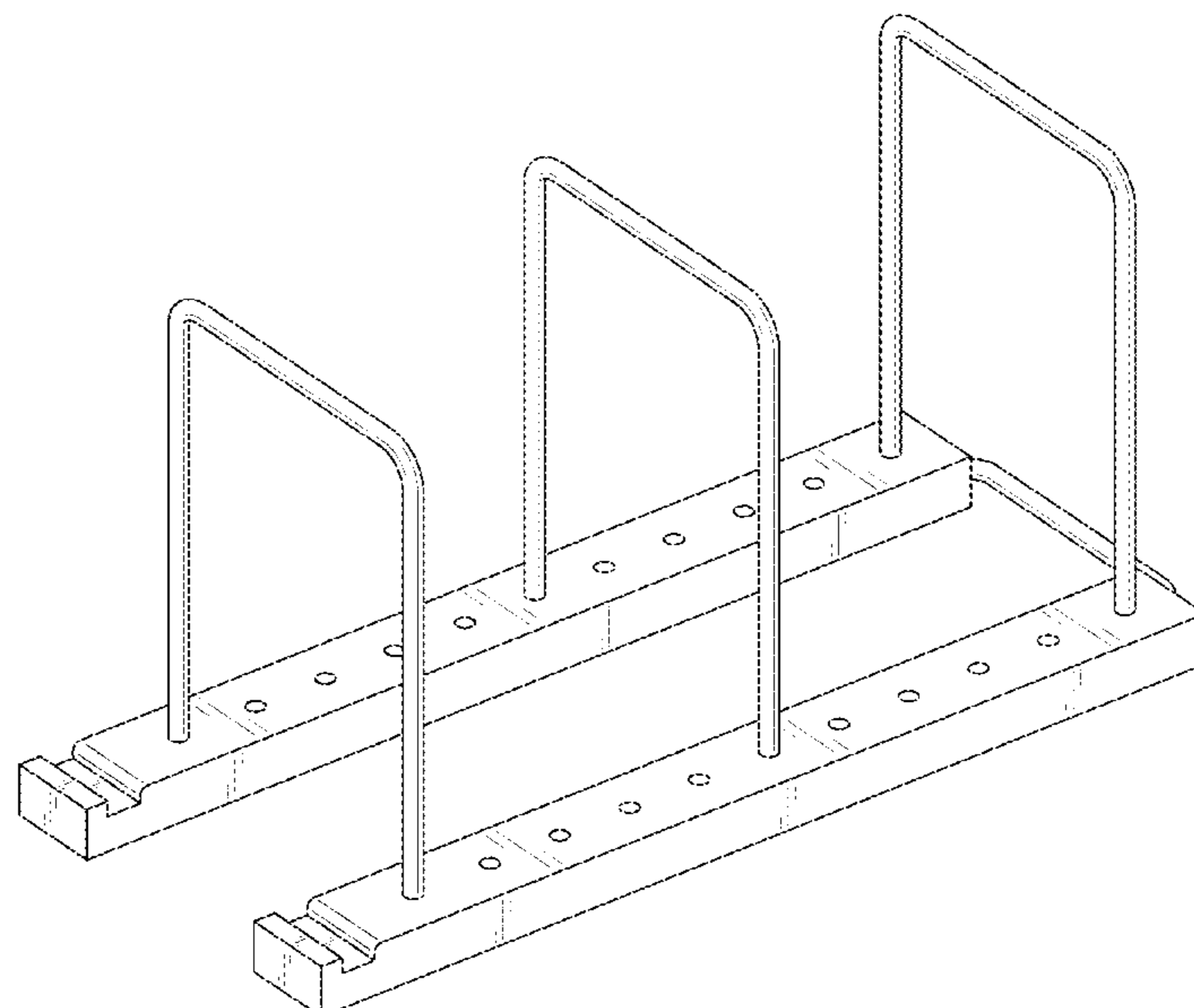
FIG. 5 is a right side view of the holder of FIG. 1;

FIG. 6 is a top view of the holder of FIG. 1; and,

FIG. 7 is a bottom view of the holder of FIG. 1.

The broken lines shown in FIGS. 2-5 and 7 are for the purpose of illustrating environmental structure and form no part of the claimed design.

1 Claim, 7 Drawing Sheets



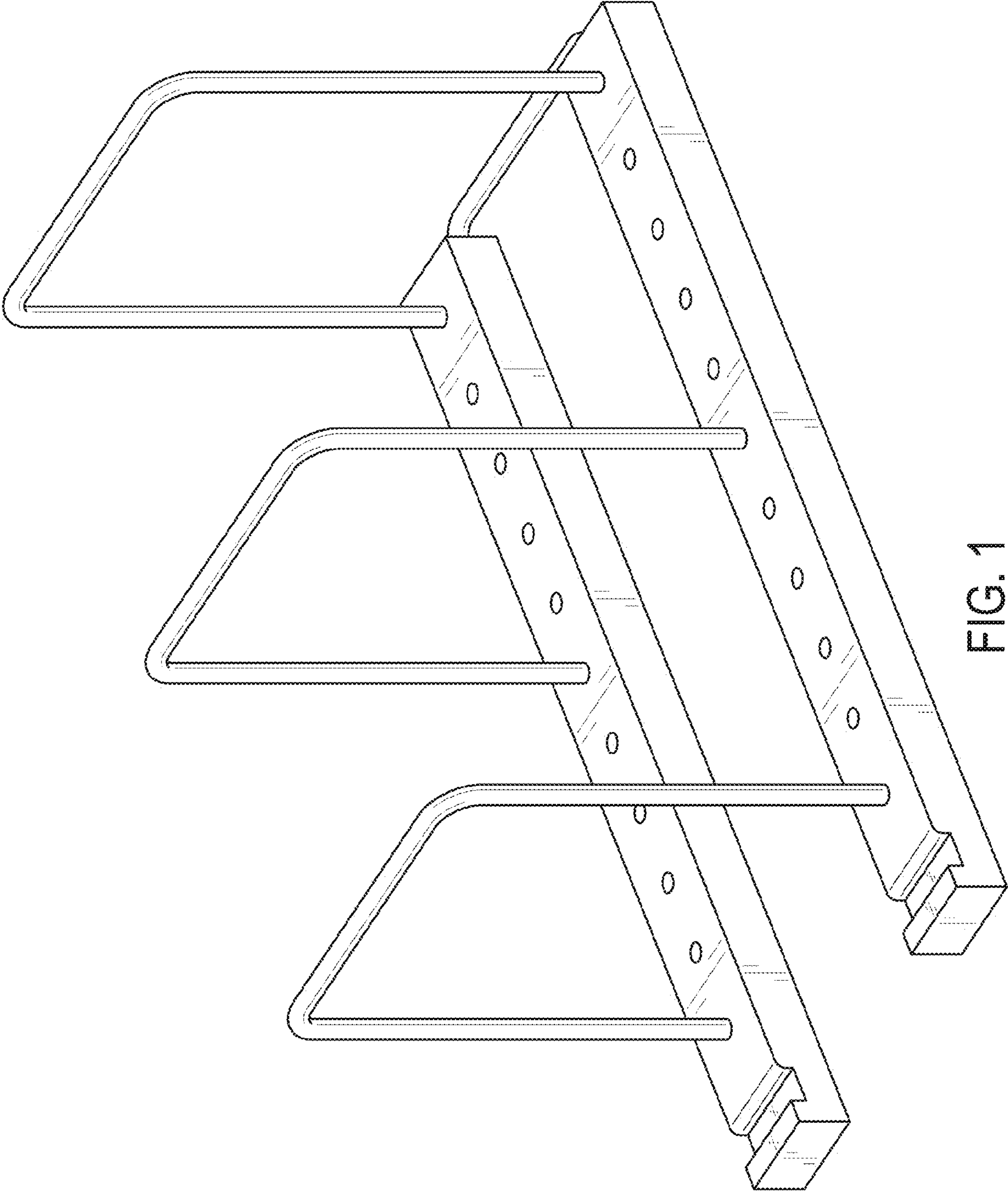


FIG. 1

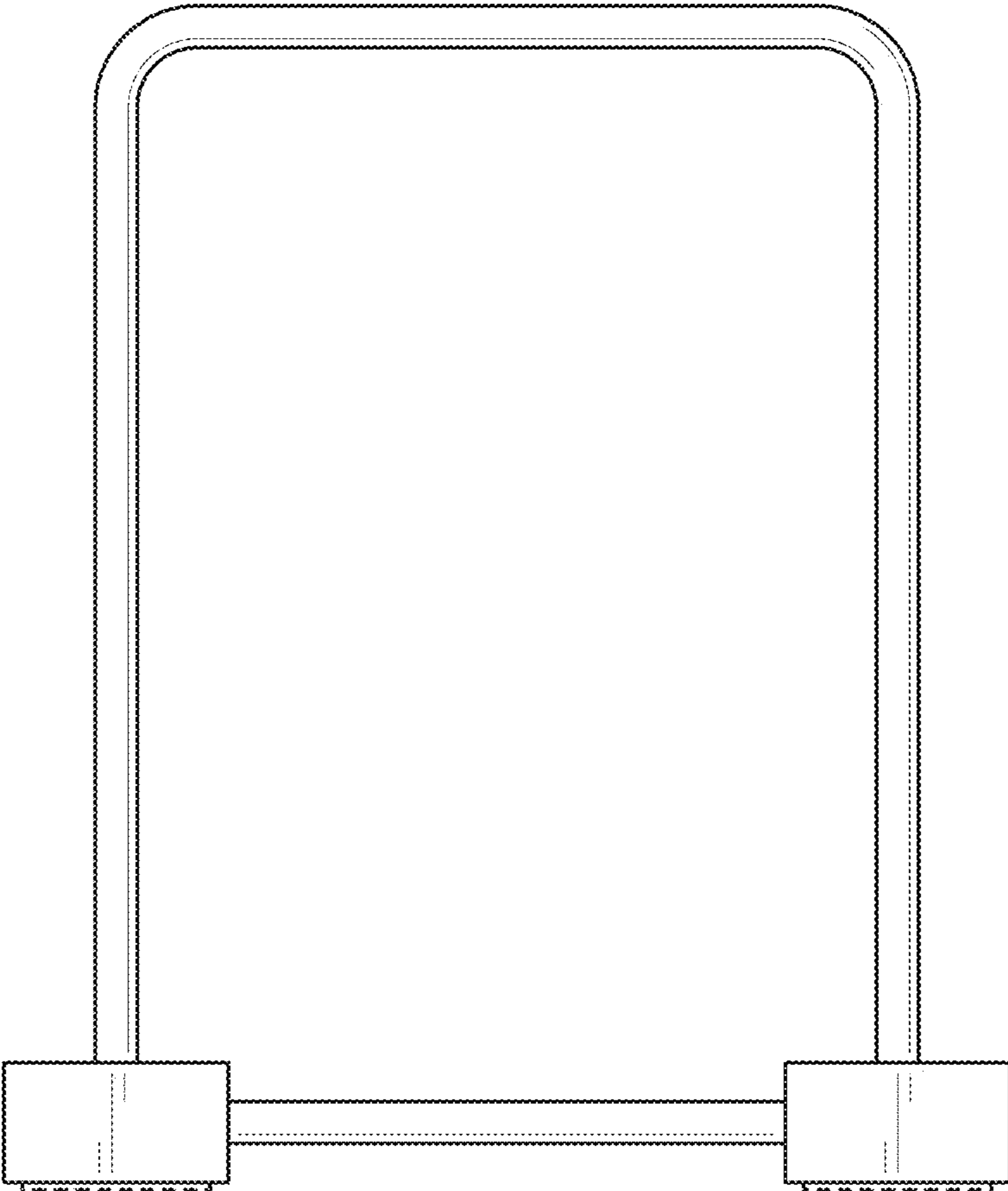


FIG. 2

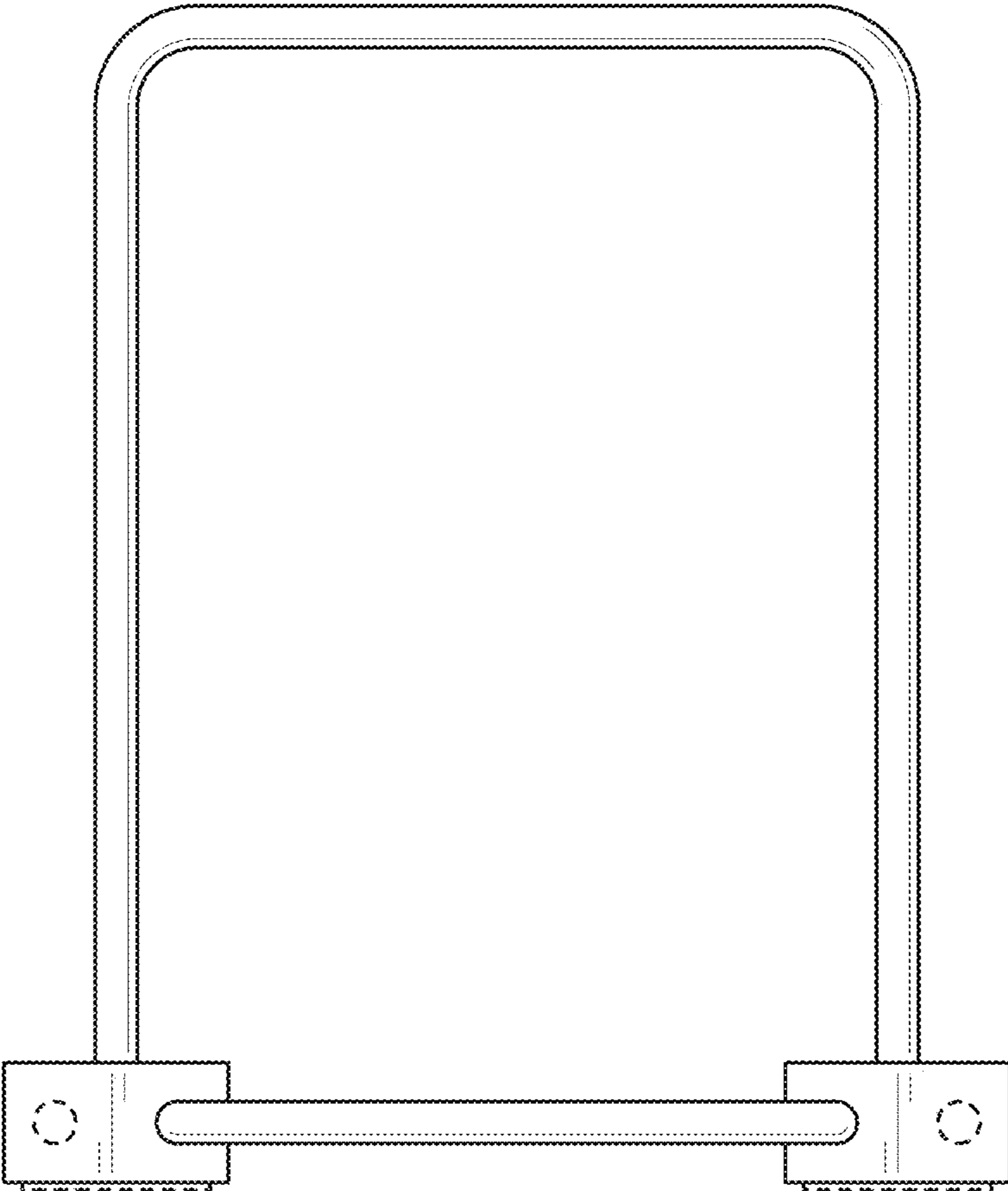


FIG. 3

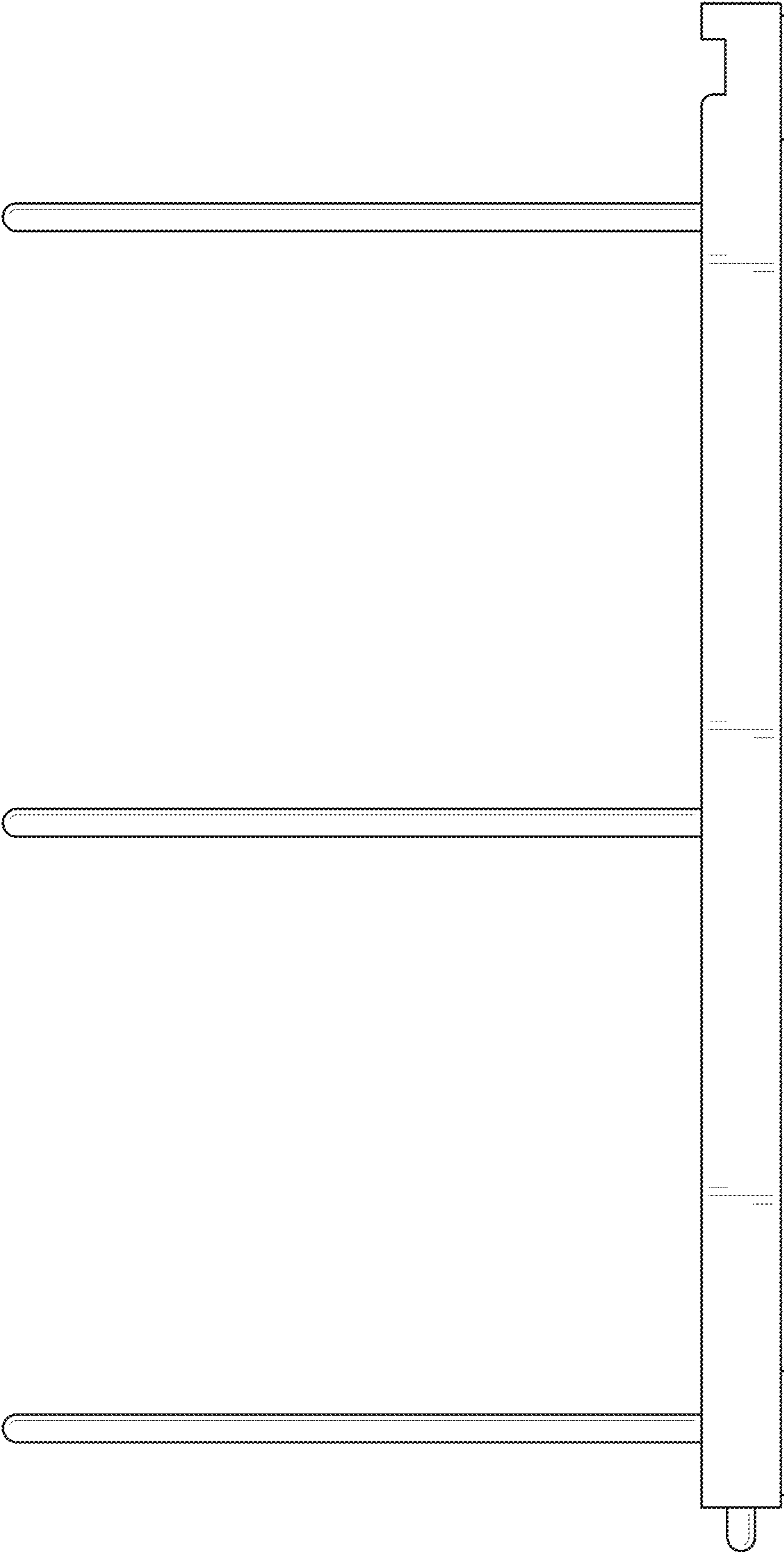


FIG. 4

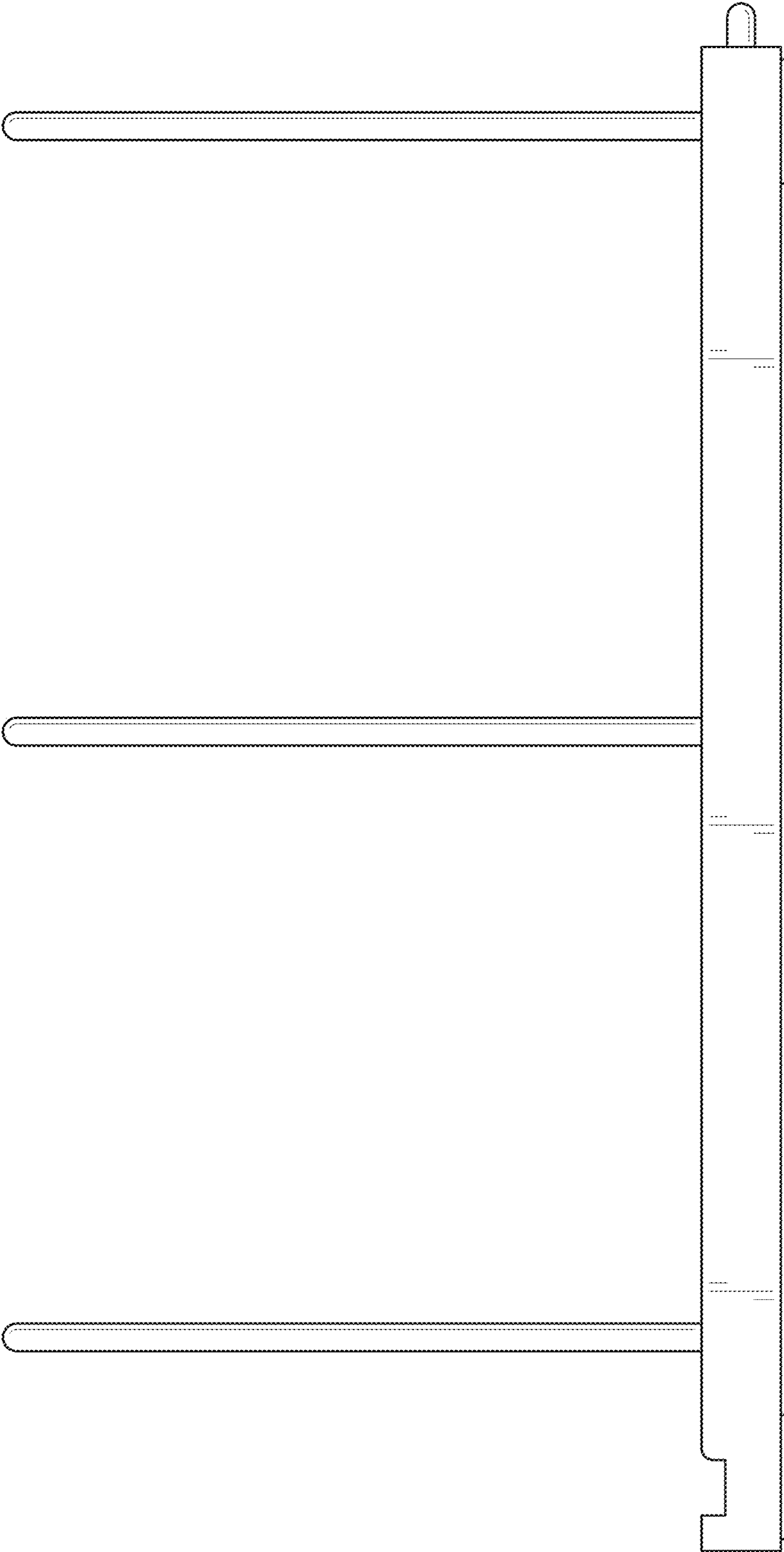


FIG. 5

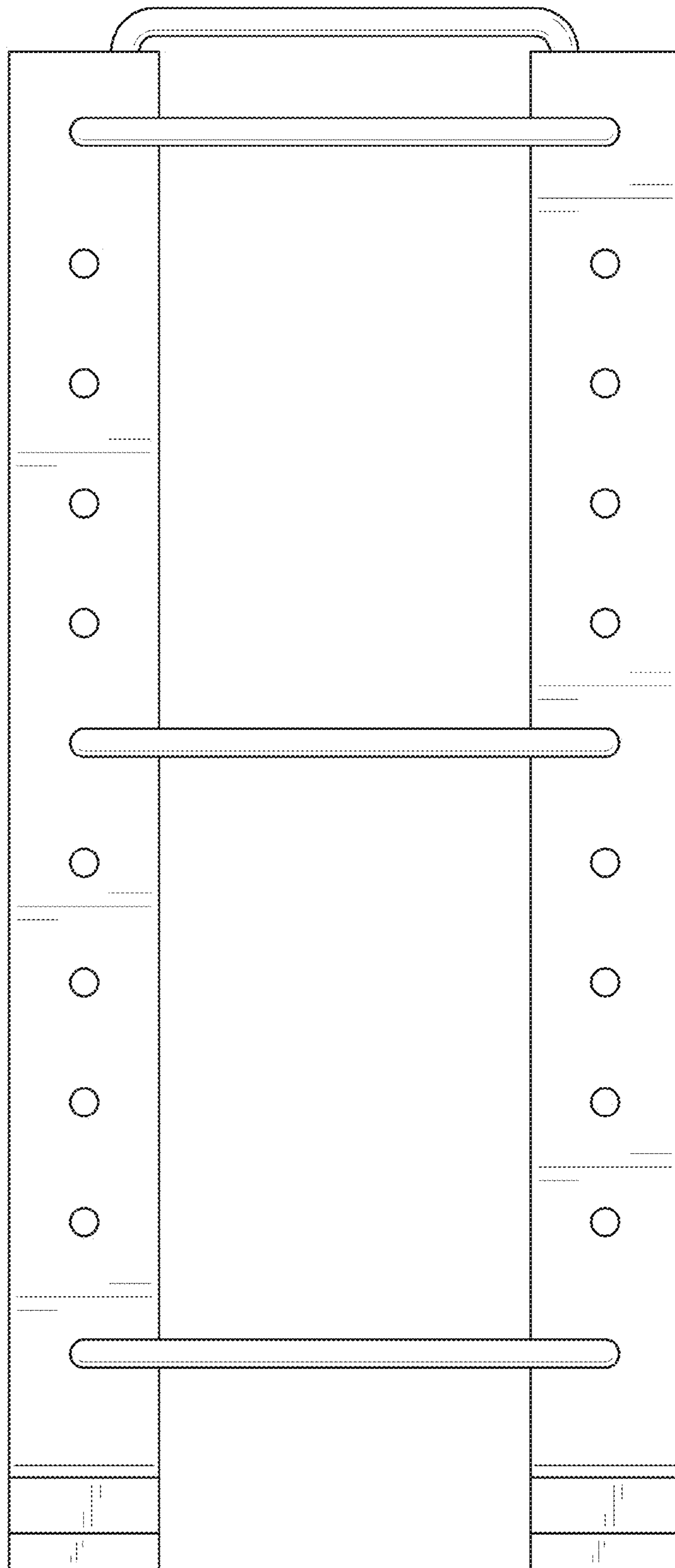


FIG. 6

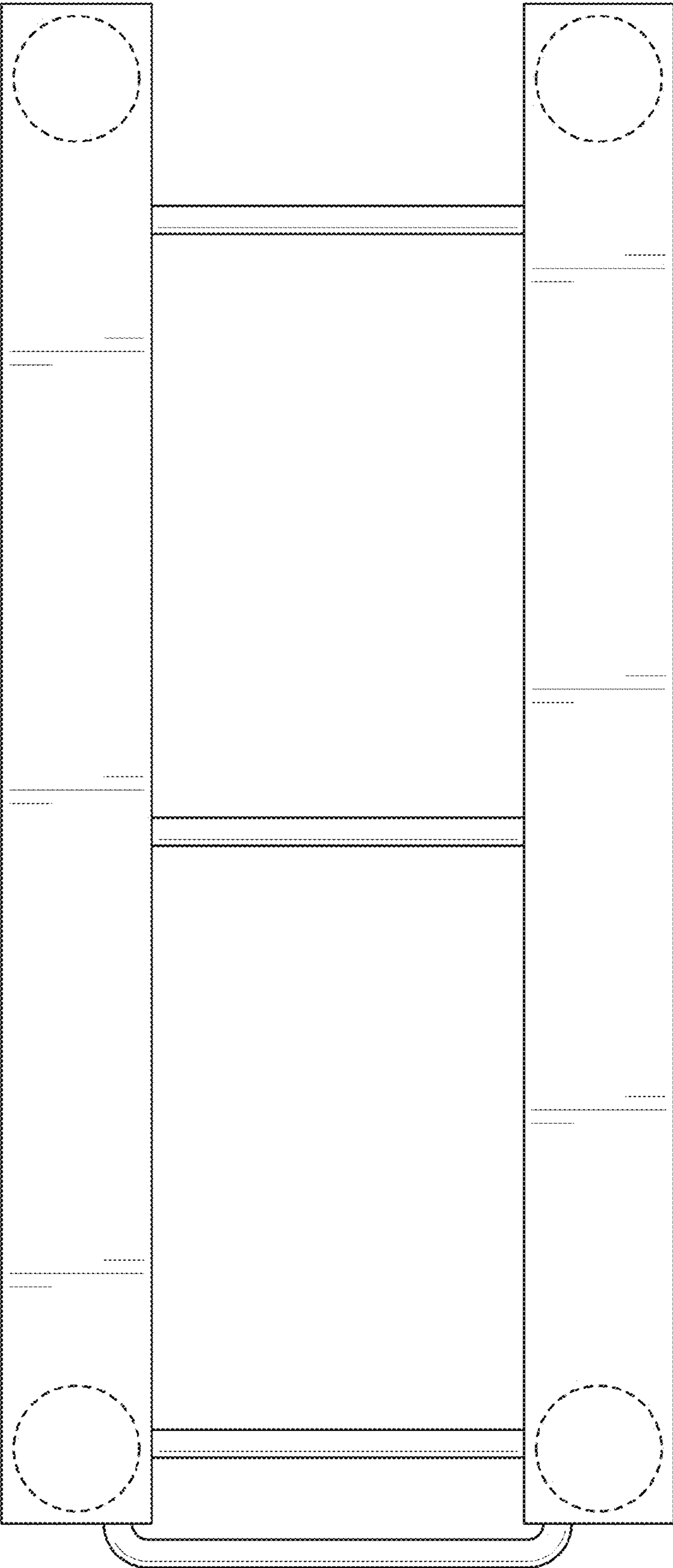


FIG. 7