



US00D956448S

(12) **United States Design Patent** (10) **Patent No.:** **US D956,448 S**
Li (45) **Date of Patent:** **** Jul. 5, 2022**

(54) **WEDGE PILLOW**

(71) Applicant: **Zhefei Li**, Zhejiang (CN)

(72) Inventor: **Zhefei Li**, Zhejiang (CN)

(**) Term: **15 Years**

(21) Appl. No.: **29/794,268**

(22) Filed: **Jun. 11, 2021**

(51) **LOC (13) Cl.** **06-09**

(52) **U.S. Cl.**
USPC **D6/601**

(58) **Field of Classification Search**
USPC D6/595, 596, 601, 604, 605, 606, 607,
D6/608, 609; 5/413 AM, 690, 706, 961,
5/716, 717, 718, 721, 495, 496, 497, 498,
5/499, 490, 491
CPC A47C 19/00; A47C 23/00; A47C 21/026;
A47C 27/00; A47C 27/06; A47C 27/08;
A47C 27/081; A47C 27/082; A47G 9/10;
A47G 9/1009; A47G 9/1027; A47G
9/1045; A47G 9/1063; A47G 9/1072;
A47G 9/1081

See application file for complete search history.

(56) **References Cited**

U.S. PATENT DOCUMENTS

D211,721 S * 7/1968 Radford 5/636
4,635,306 A * 1/1987 Willey A47C 16/005
D6/601
D310,609 S 9/1990 Burkhardt
4,970,742 A * 11/1990 Keener A47C 20/027
5/640
D334,107 S 3/1993 Johnson
D376,945 S * 12/1996 Bonaddio D6/601
D402,148 S 12/1998 Bonaddio et al.
D446,676 S * 8/2001 Mayes D6/601
D521,301 S * 5/2006 Dickson D6/601
D610,852 S * 3/2010 Rothschild D6/601
D771,414 S * 11/2016 Krishtul D6/601

D805,325 S * 12/2017 Chan D6/601
D833,628 S * 11/2018 Davis D6/601
D845,035 S * 4/2019 Raad et al.
D864,612 S * 10/2019 Castellano
D872,504 S 1/2020 Toft
D880,901 S * 4/2020 Raad D6/601

(Continued)

FOREIGN PATENT DOCUMENTS

CN 305978107 * 6/2020
CN 305978091 * 8/2020

(Continued)

OTHER PUBLICATIONS

WOWMAX Back Rest Pillow, earliest date available unknown, [online], [site visited Mar. 10, 2022]. Available from Internet, <URL: <https://www.overstock.com/Home-Garden/WOWMAX-Bed-Rest-Wedge-Pillow-Headboard-Reading-TV-Back-Support-Cushion/33890518/product.html>> (Year: 2022).*

(Continued)

Primary Examiner — Sanjeev Paul

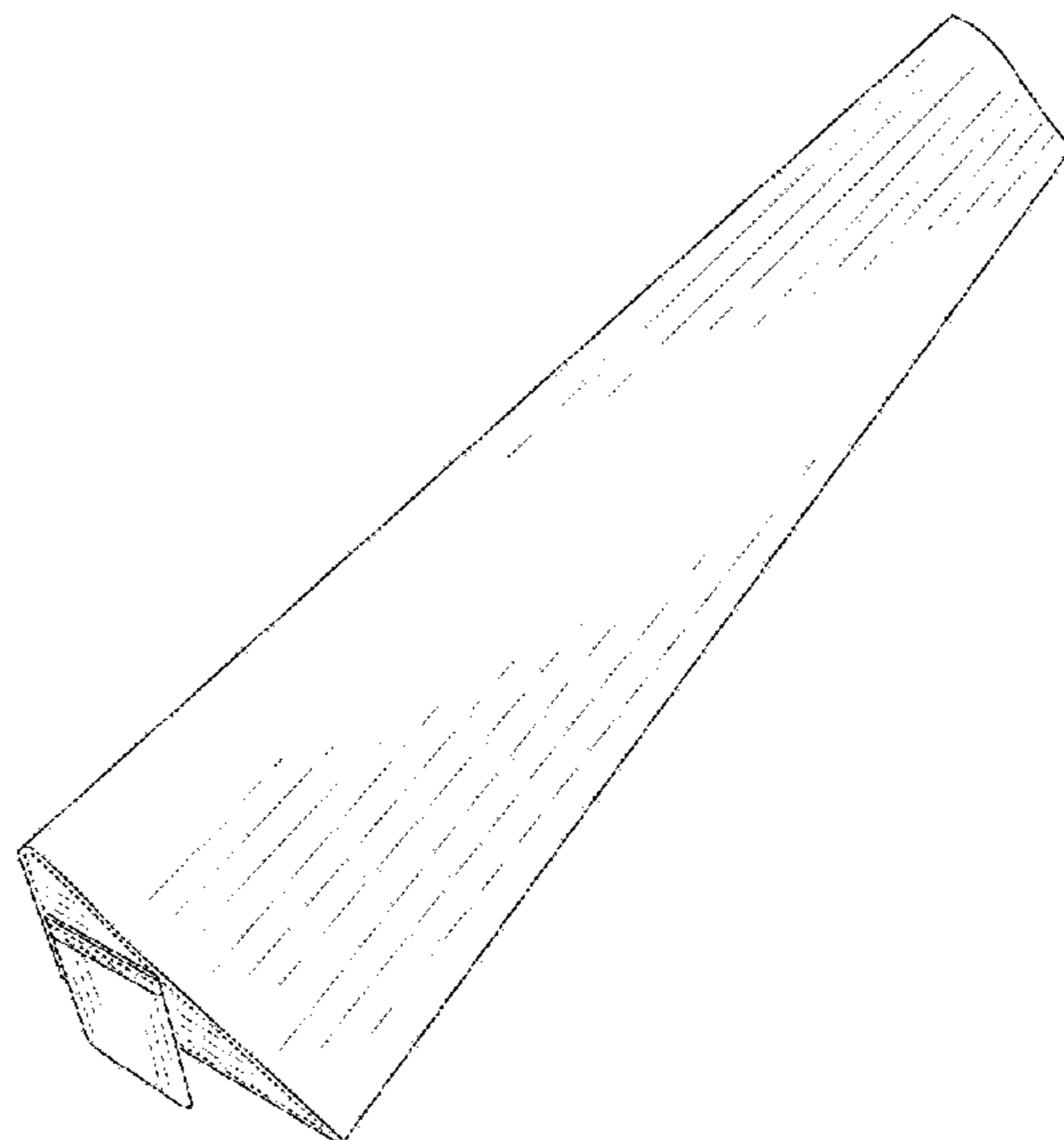
(57) **CLAIM**

The ornamental design for a wedge pillow, as shown and described.

DESCRIPTION

FIG. 1 is a perspective view of a wedge pillow showing my new design;
FIG. 2 is a front elevational view thereof;
FIG. 3 is a rear elevational view thereof;
FIG. 4 is a left side elevational view thereof;
FIG. 5 is a right side elevational view thereof;
FIG. 6 is a top plan view thereof; and,
FIG. 7 is a bottom plan view thereof.
The broken lines shown in the drawings depict stitching which forms part of the claimed design.

1 Claim, 7 Drawing Sheets



(56)

References Cited

U.S. PATENT DOCUMENTS

D882,296 S	*	4/2020	Huang	D6/601
D884,388 S	*	5/2020	Jung	D6/601
D899,140 S		10/2020	Ponder et al.	
D906,733 S	*	1/2021	Graham	D6/601
D907,941 S	*	1/2021	Chanfrau, IV	
D911,748 S		3/2021	Luo	
D921,399 S	*	6/2021	Michover	D6/601
D929,770 S	*	9/2021	Moore	D6/601
D934,591 S	*	11/2021	Cuadra	D6/601
D939,246 S	*	12/2021	Huang	
D941,060 S	*	1/2022	Kong	D6/601

FOREIGN PATENT DOCUMENTS

CN	306546929	*	5/2021
GB	6127476	*	3/2021
KR	301011547.0000	*	6/2019
WO	D208730-001	*	10/2020

OTHER PUBLICATIONS

Memory Foam Medium Support Pillow, earliest date available unknown, [online], [site visited Mar. 10, 2022]. Available from Internet, <URL: <https://www.wayfair.com/bed-bath/pdp/newdatatrade-memory-foam-medium-support-pillow-awda1881.html>> (Year: 2022).*

Moos Memory Foam Medium Support Pillow, earliest date available unknown, [online], [site visited Mar. 10, 2022]. Available from Internet, <URL: <https://www.wayfair.com/bed-bath/pdp/alwyn-home-moos-memory-foam-medium-support-pillow-w007167481.html>> (Year: 2022).*

Twin Bed Wedge Headboard Pillow, earliest date available unknown, [online], [site visited Mar. 10, 2022]. Available from Internet, <URL: <https://www.wayfair.com/bed-bath/pdp/alwyn-home-twin-size-bed-wedge-pillowheadboard-pillowmattress-wedgebed-gap-filler-that-can-close-the-gap-0-7-between-your-mattress-and-headboardgray-39x10x6-w006789010.html>> (Year: 2022).*

* cited by examiner

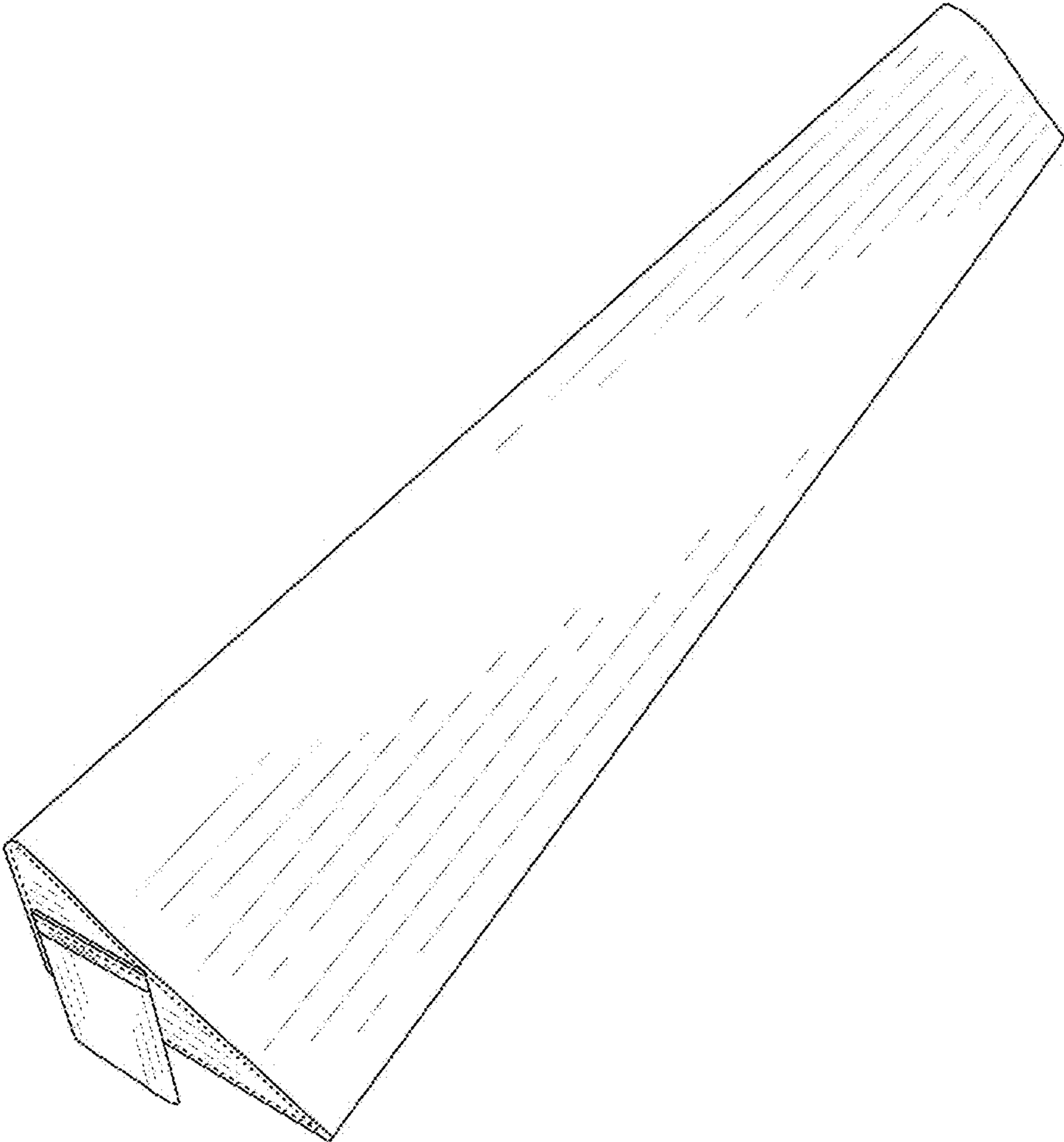


FIG. 1

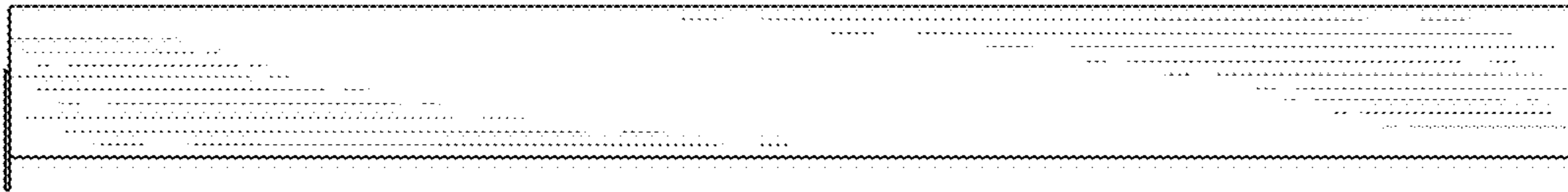


FIG. 2

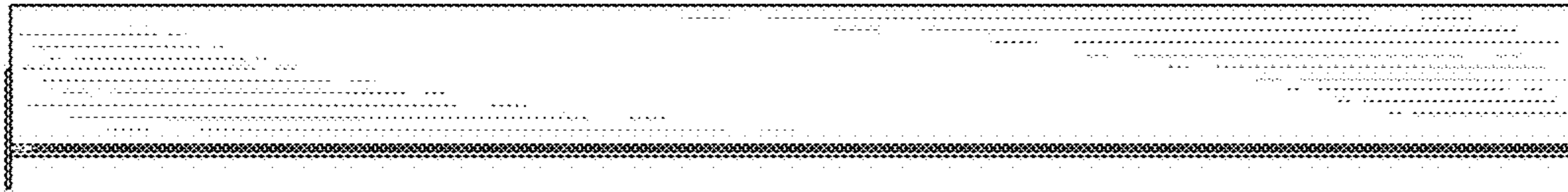


FIG. 3

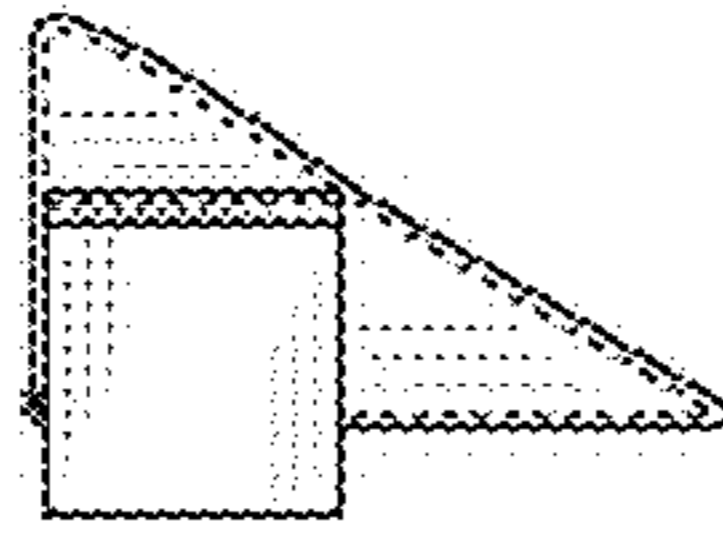


FIG. 4

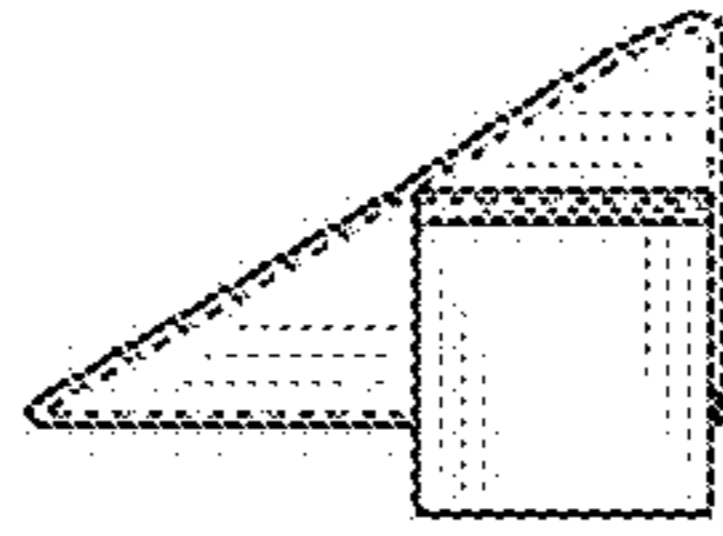


FIG. 5

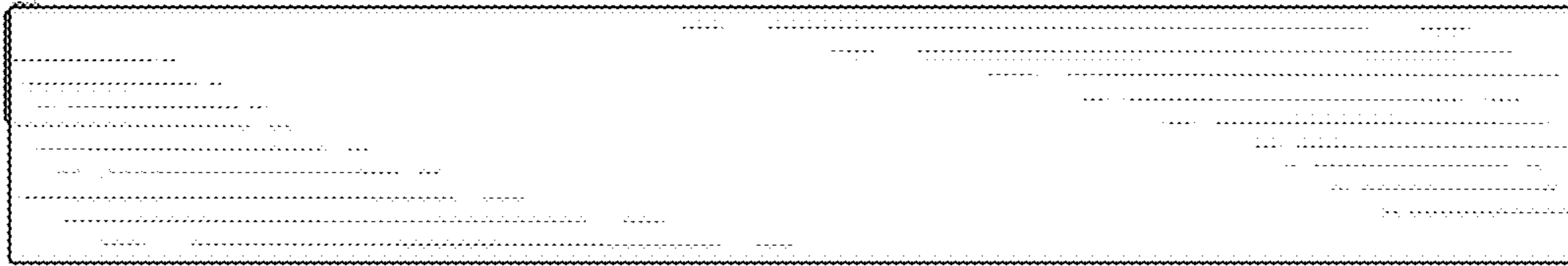


FIG. 6

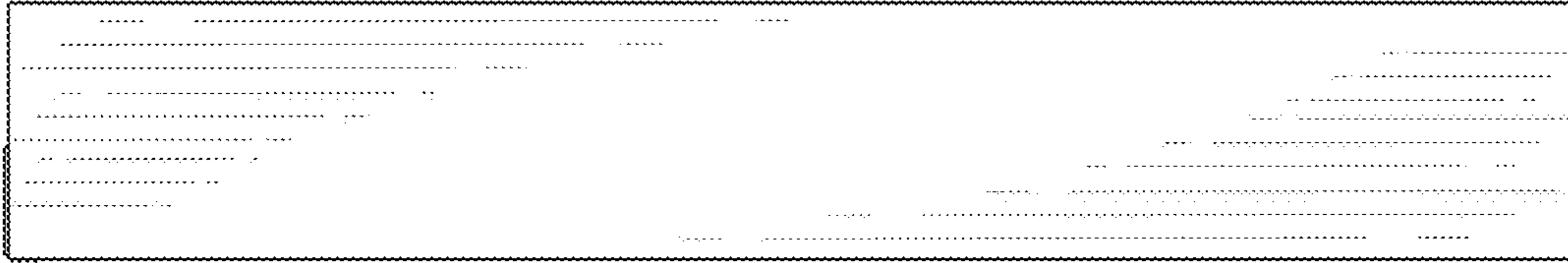


FIG. 7